



US00D691678S

(12) **United States Design Patent**
Cardillo

(10) **Patent No.:** **US D691,678 S**
(45) **Date of Patent:** **** Oct. 15, 2013**

- (54) **EXERCISE RAIL**
- (71) Applicant: **Cardillo, Inc.**, Everett, MA (US)
- (72) Inventor: **Stephen Cardillo**, Everett, MA (US)
- (73) Assignee: **Cardillo, Inc.**, Everett, MA (US)
- (**) Term: **14 Years**
- (21) Appl. No.: **29/443,728**
- (22) Filed: **Jan. 22, 2013**
- (51) **LOC (9) Cl.** **21-02**
- (52) **U.S. Cl.**
USPC **D21/674; D21/676; D21/662**
- (58) **Field of Classification Search**
USPC D21/662, 670, 674, 676, 686, 688, 689,
D21/690, 694, 695; 482/51, 71-72, 96, 112,
482/121, 130-132, 140, 142, 144,
482/146-147; 601/23, 33, 40, 127, 131;
D6/502, 601, 366; 280/281.1, 287
See application file for complete search history.

D306,750	S	*	3/1990	Kiiski	D21/674
4,921,242	A	*	5/1990	Watterson	482/72
4,974,832	A	*	12/1990	Dalebout	482/72
5,013,033	A	*	5/1991	Watterson et al.	482/72
5,122,105	A	*	6/1992	Engel et al.	482/72
5,518,483	A	*	5/1996	Oswald	482/131
5,707,322	A	*	1/1998	Dreissigacker et al.	
D392,700	S	*	3/1998	Piaget	D21/670
5,921,901	A	*	7/1999	Palacios	482/132
5,938,571	A	*	8/1999	Stevens	482/96
D425,585	S	*	5/2000	Wu	D21/676
6,196,954	B1	*	3/2001	Chen	482/131
6,213,924	B1	*	4/2001	Kaiyoorawongs	482/146
6,231,485	B1	*	5/2001	Dreissigacker et al.	
6,371,892	B1	*	4/2002	Dreissigacker et al.	
7,004,894	B1	*	2/2006	Trotter	482/140
D567,312	S	*	4/2008	Tsai	D21/688
D626,608	S	*	11/2010	Tsai	D21/689
D632,746	S	*	2/2011	Wu	D21/676

* cited by examiner

Primary Examiner — Susan E Krakower

(74) *Attorney, Agent, or Firm* — Barlow, Josephs & Holmes, Ltd.

(57) **CLAIM**

The ornamental design for an exercise rail, as shown and described.

(56) **References Cited**

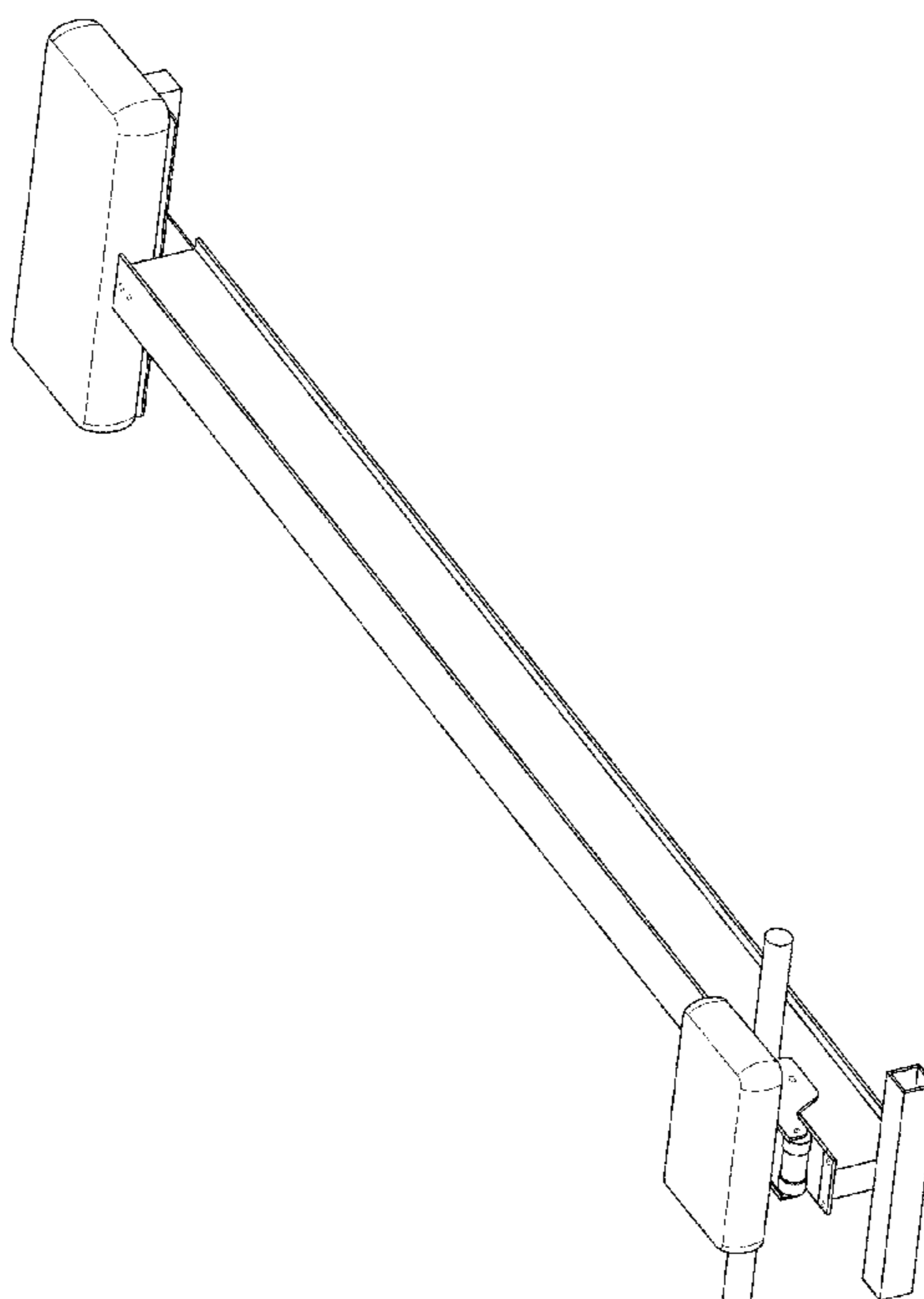
U.S. PATENT DOCUMENTS

4,284,272	A	*	8/1981	Evans et al.	482/72
D268,277	S	*	3/1983	Smith	D21/695
D268,278	S	*	3/1983	Smith	D21/674
4,421,307	A	*	12/1983	Cunnington et al.	482/72
D277,304	S	*	1/1985	Smith et al.	D21/674
D287,389	S	*	12/1986	Nadeau	D21/674
D289,539	S	*	4/1987	Brentham	D21/674
D291,823	S	*	9/1987	Smith et al.	D21/674
4,705,268	A	*	11/1987	Nadeau	482/72
D297,853	S	*	9/1988	Ostrom	D21/674
4,867,447	A	*	9/1989	Johnson	482/73

DESCRIPTION

FIG. 1 is a perspective view of the exercise rail in accordance with the present invention;
FIG. 2 is a right side view thereof; and,
FIG. 3 is a top plan view thereof.
The broken lines illustrate portions of the article which form no part of the claimed design.

1 Claim, 3 Drawing Sheets



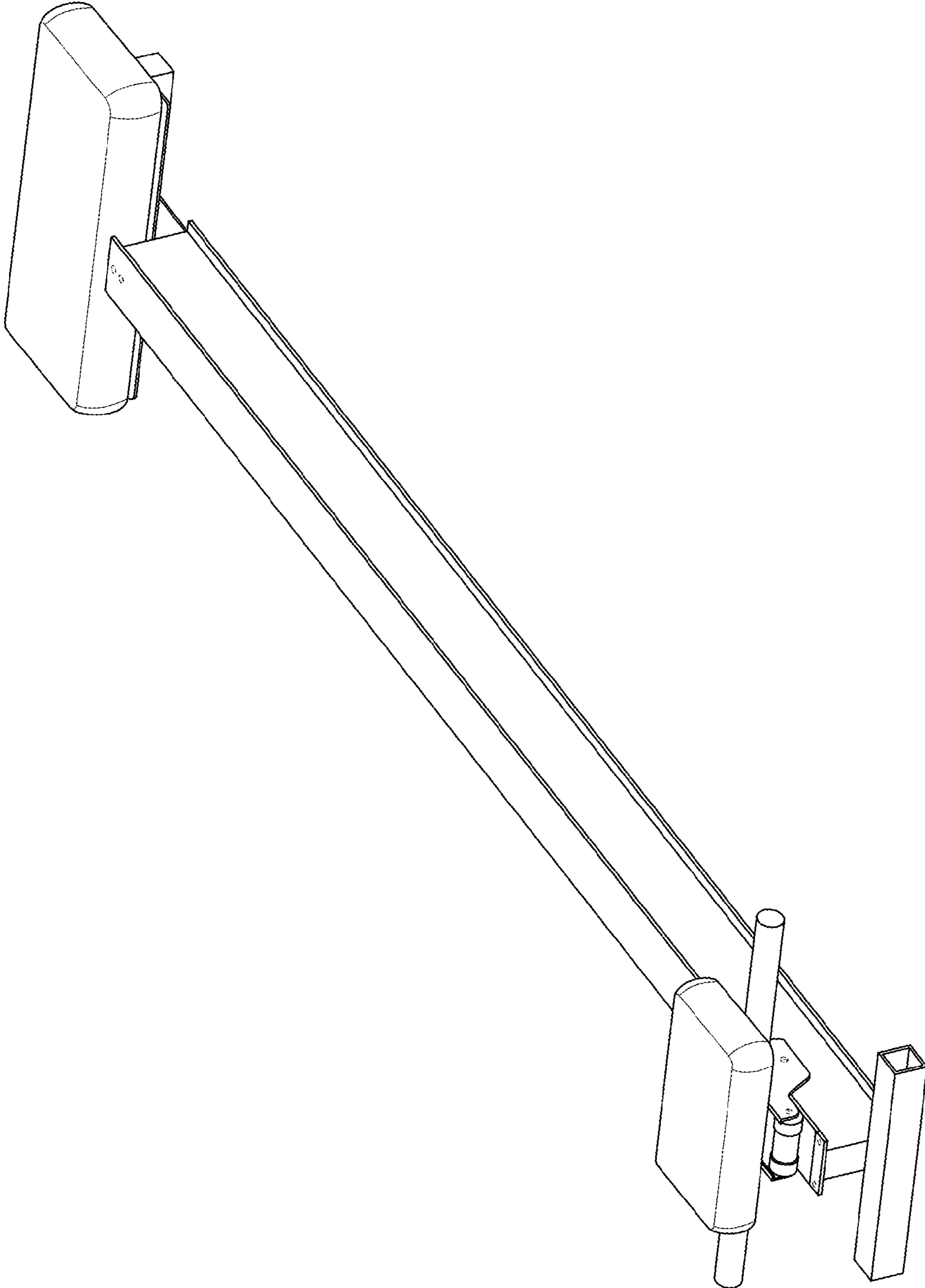


FIG. 1

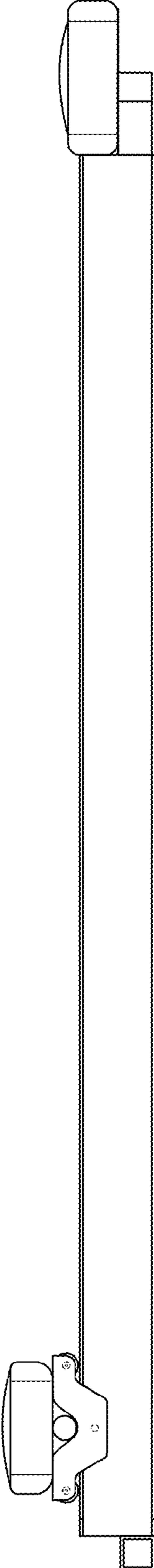


FIG. 2

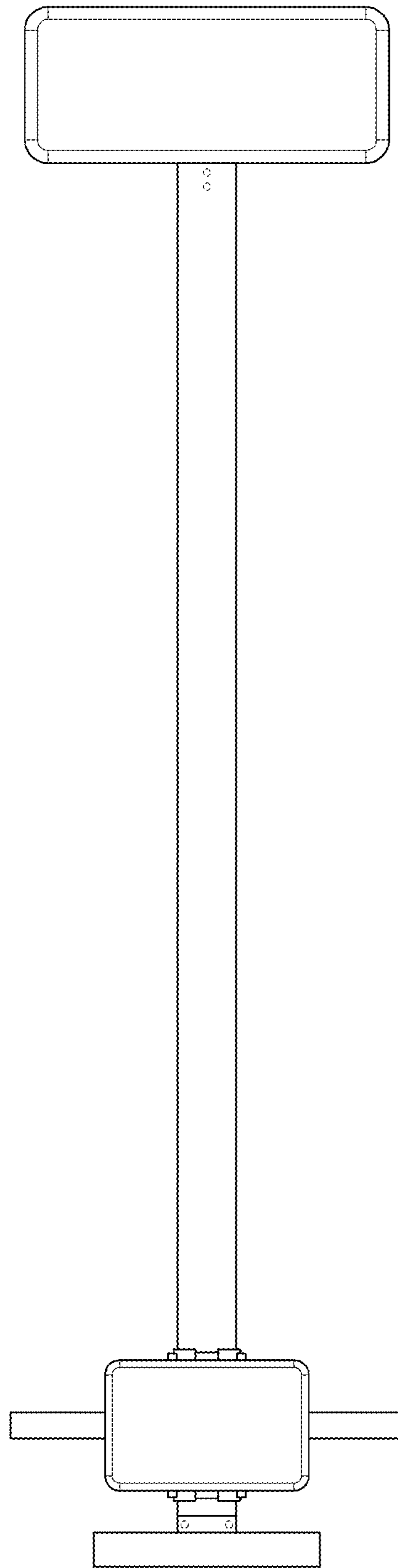


FIG. 3