



US00D691675S

(12) **United States Design Patent**
Kim et al.

(10) **Patent No.:** **US D691,675 S**
(45) **Date of Patent:** **** Oct. 15, 2013**

(54) **EDUCATIONAL ROBOT**

FOREIGN PATENT DOCUMENTS

(75) Inventors: **Ik Soo Kim**, Daejeon (KR); **Suk Bum Kang**, Daejeon (KR); **Jin Hyun Kim**, Daejeon (KR)

EP 496031 A1 * 7/1992
JP 2007055330 A * 3/2007
JP 2009078771 A * 4/2009
JP 2011004837 A * 1/2011

(73) Assignee: **CNRobot Co., Ltd.**, Daejeon (KR)

OTHER PUBLICATIONS

(**) Term: **14 Years**

(21) Appl. No.: **29/406,779**

cnrobot.co.kr. CRX10: Mobile Robot Platform. [online], Sep. 7, 2012 [retrieved on Sep. 26, 2012]. Retrieved from the Internet:< URL: <http://cnrobot.co.kr/board.php?board=crx10>>.*
CNRobot. Robot platform CRX10. [online], Jul. 14, 2011 [retrieved on Sep. 26, 2012]. Retrieved from the Internet:< URL: <http://www.youtube.com/watch?v=qkKqCBkwmag>>.*

(22) Filed: **Nov. 18, 2011**

* cited by examiner

(51) **LOC (9) Cl.** **21-01**

Primary Examiner — Philip S Hyder

(52) **U.S. Cl.**

Assistant Examiner — Darlington Ly

USPC **D21/533**

(58) **Field of Classification Search**

(74) *Attorney, Agent, or Firm* — Drinker Biddle & Reath LLP

USPC D21/533, 550, 548, 563, 562, 539, 549,
D21/561, 580, 581; D14/217, 424, 433,
D14/157; 446/431, 447, 448, 456, 465, 466;
D3/260

(57) **CLAIM**

The ornamental design for an educational robot, as shown and described.

See application file for complete search history.

DESCRIPTION

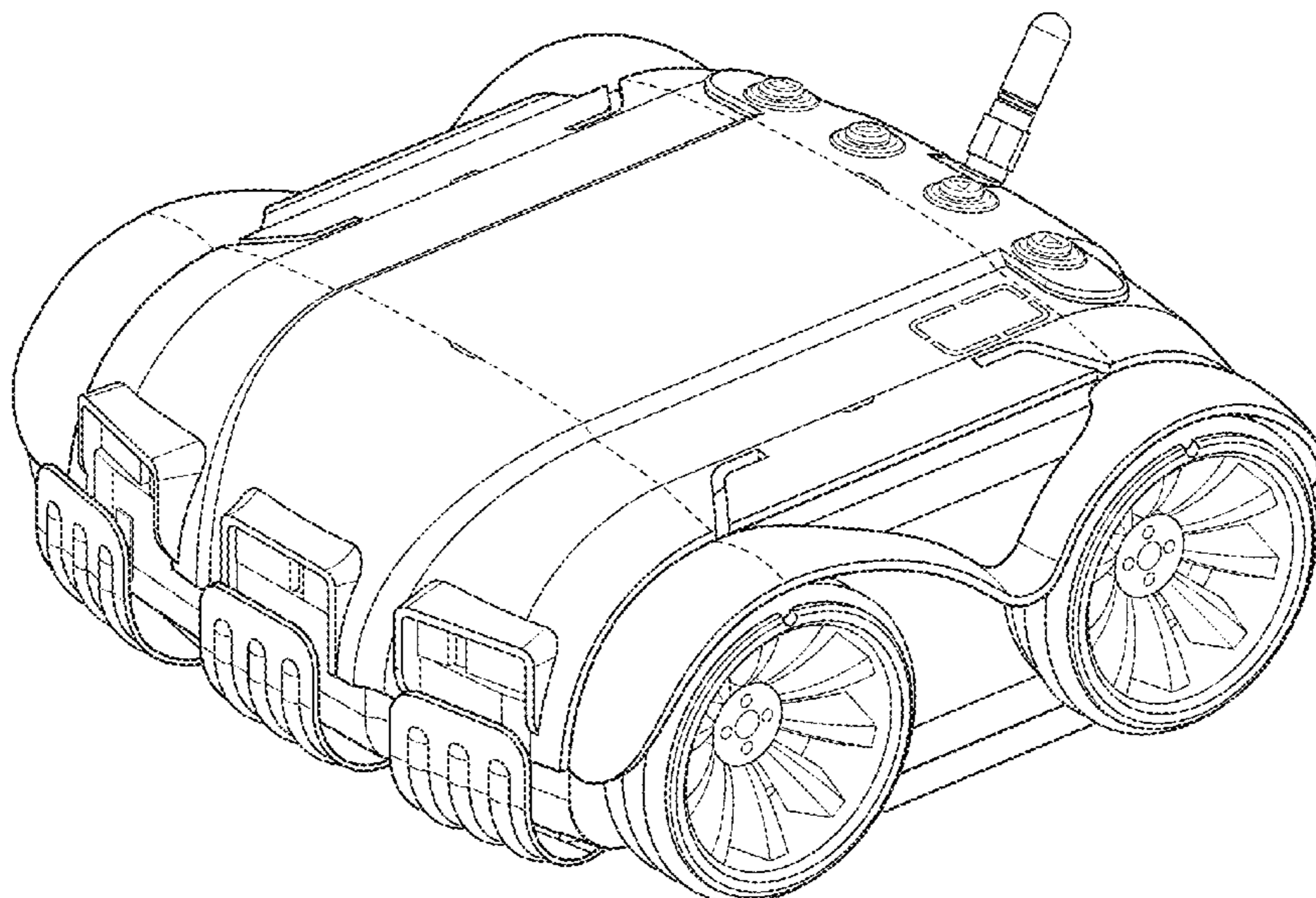
(56) **References Cited**

FIG. 1 is a perspective view of an educational robot showing our new design;
FIG. 2 is a front view of the educational robot;
FIG. 3 is a rear view of the educational robot;
FIG. 4 is a left side view of the educational robot;
FIG. 5 is a top plan view of the educational robot; and,
FIG. 6 is a bottom plan view of the educational robot.
The broken lines illustrate portions of the educational robot that form no part of the claimed design.

U.S. PATENT DOCUMENTS

D223,769	S	*	6/1972	Ruokonen	D21/533
D282,677	S	*	2/1986	Arigaya	D21/562
5,484,321	A	*	1/1996	Ishimoto	446/433
5,921,843	A	*	7/1999	Skrivan et al.	446/433
D425,140	S	*	5/2000	Bao	D21/539
6,132,287	A	*	10/2000	Kuralt et al.	446/433
7,172,488	B2	*	2/2007	Moll et al.	446/437
2012/0088436	A1	*	4/2012	Grossman	446/454
2012/0199407	A1	*	8/2012	Morey et al.	180/167

1 Claim, 5 Drawing Sheets



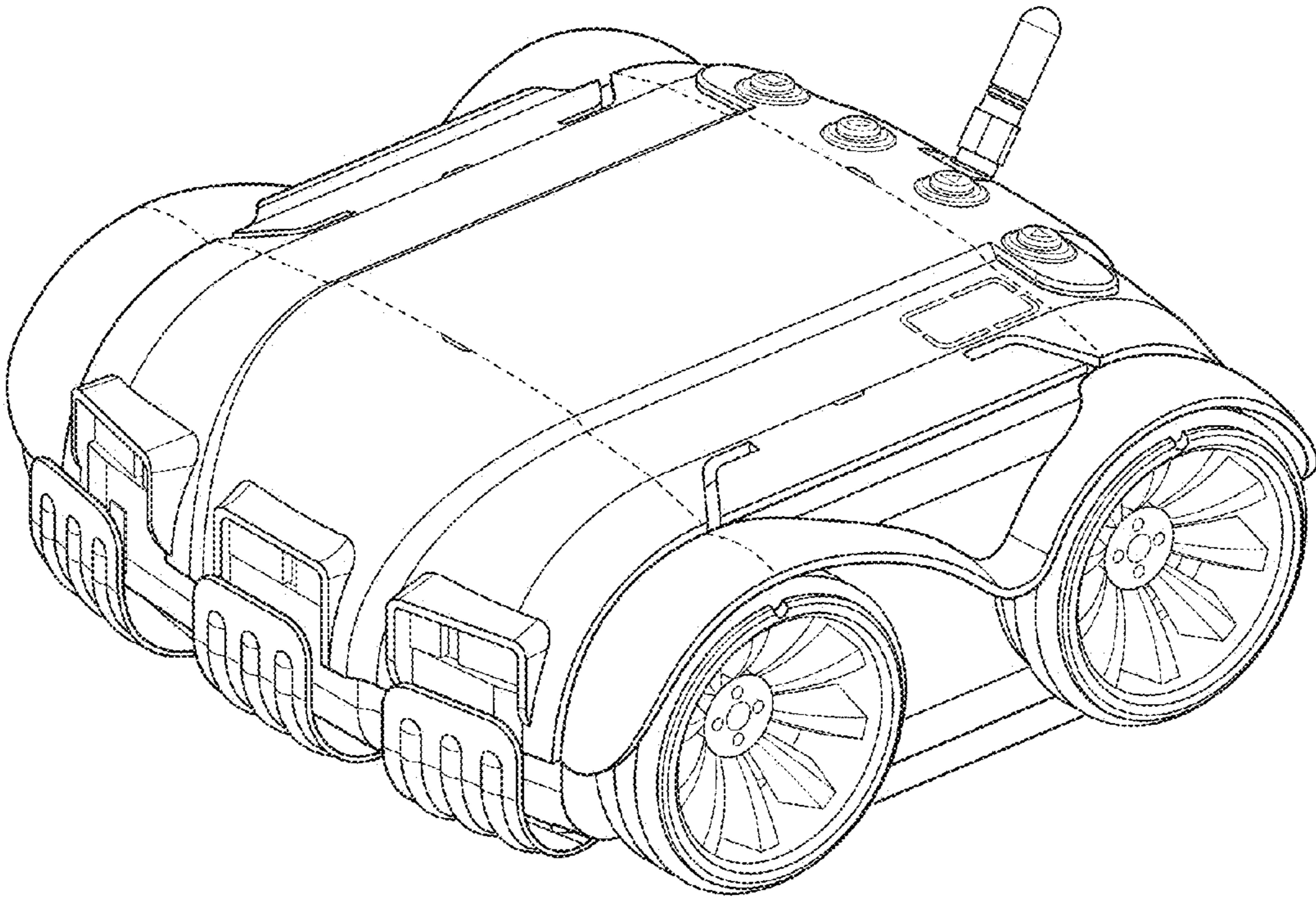


FIG. 1

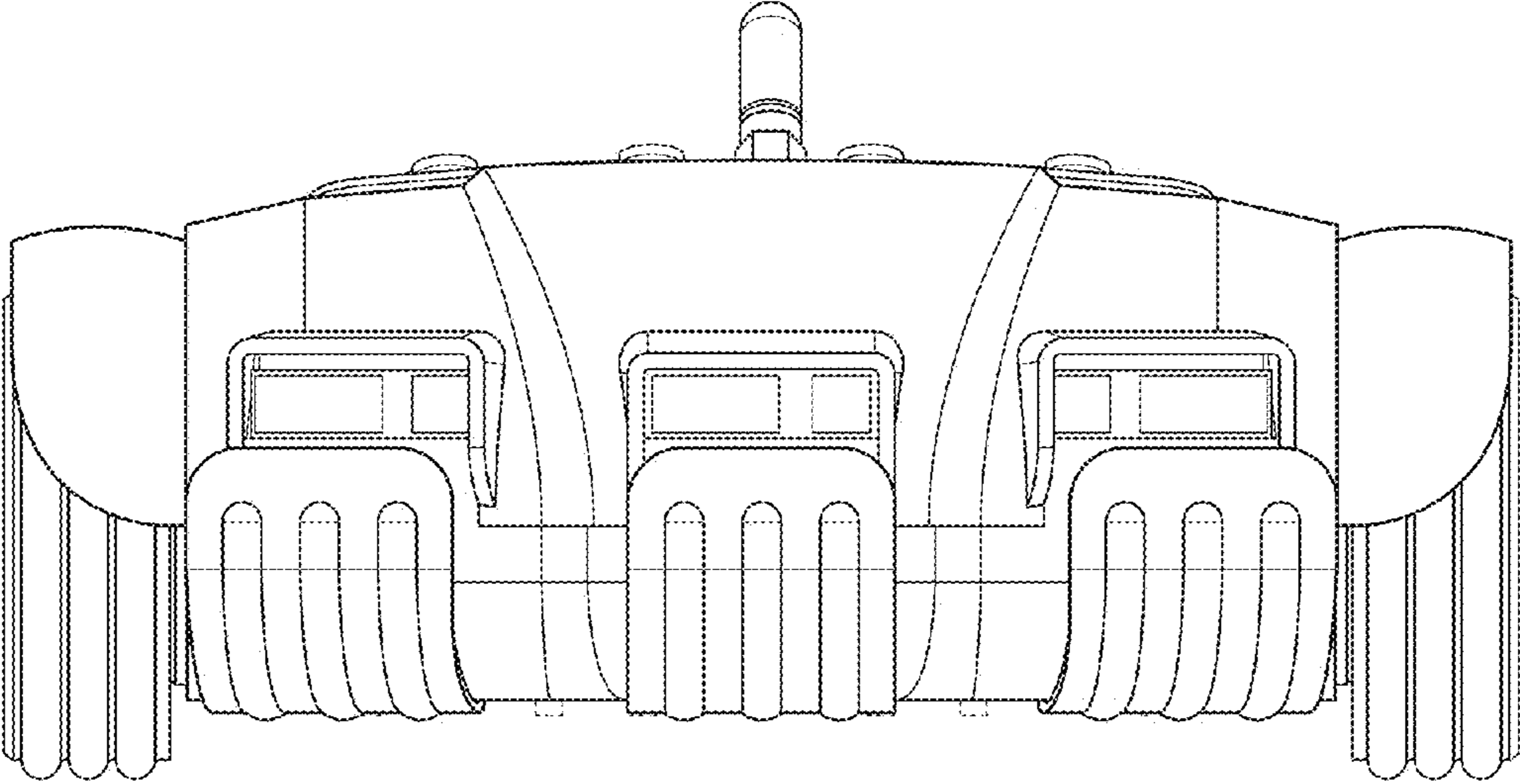


FIG. 2

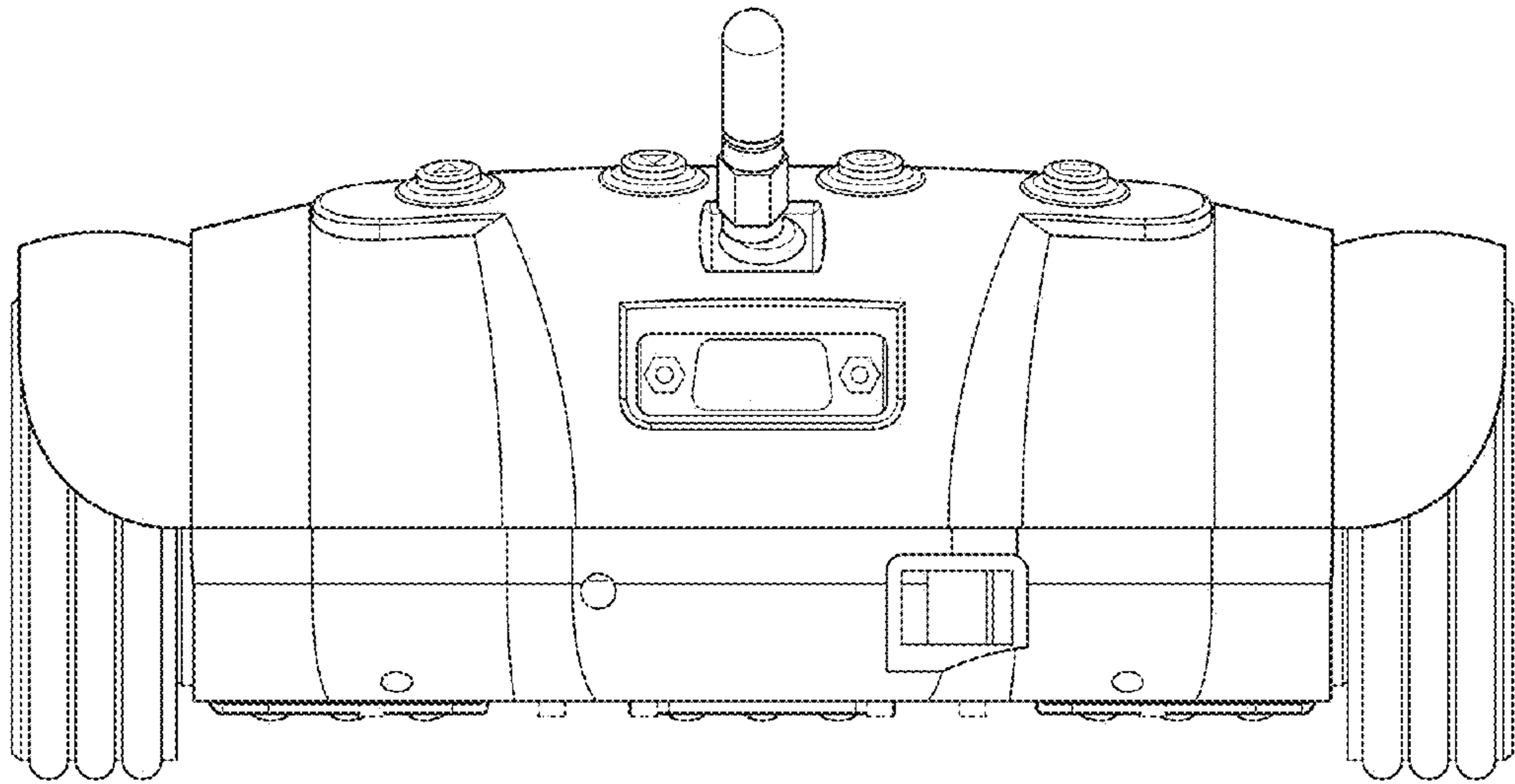


FIG. 3

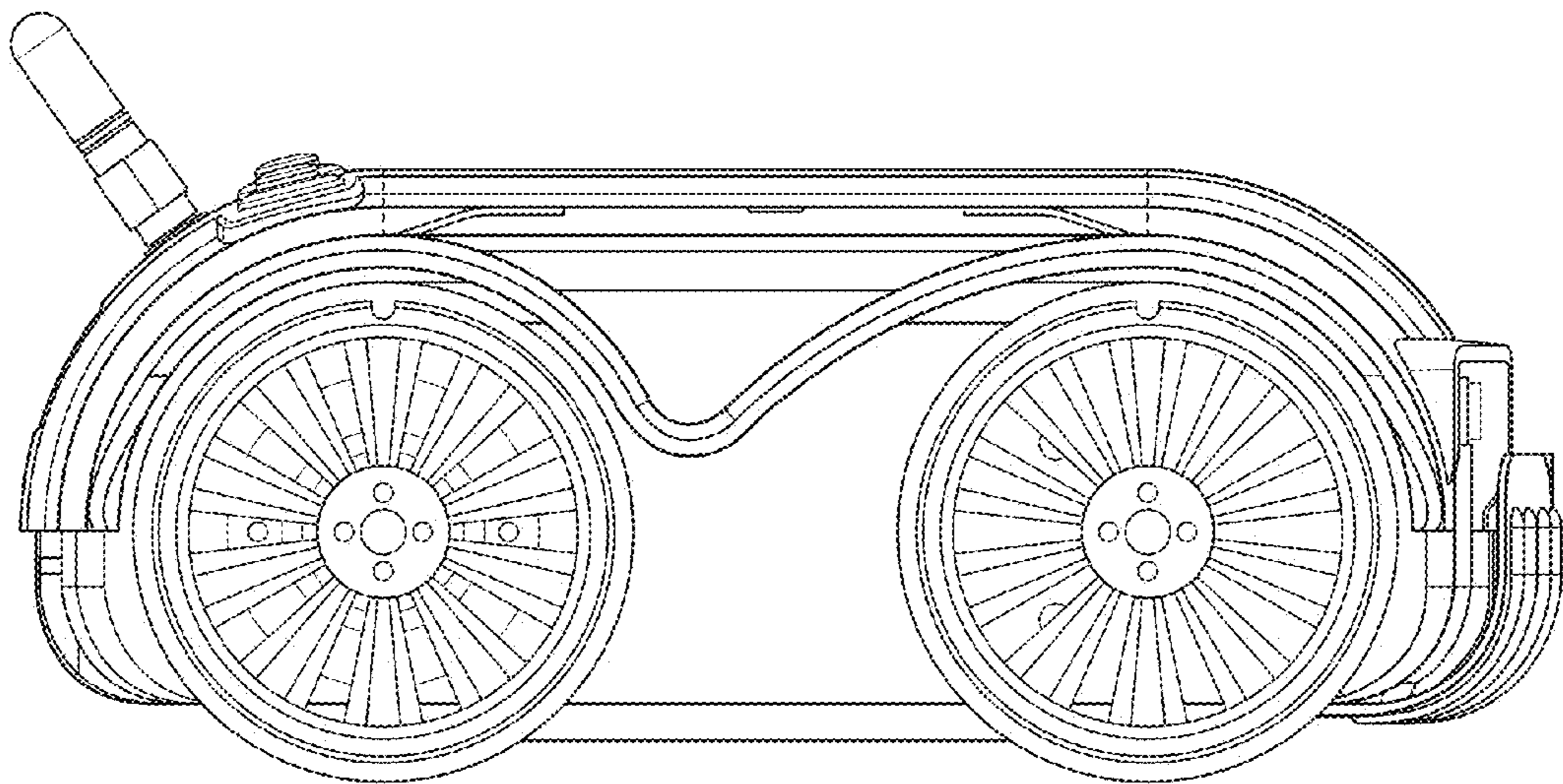


FIG. 4

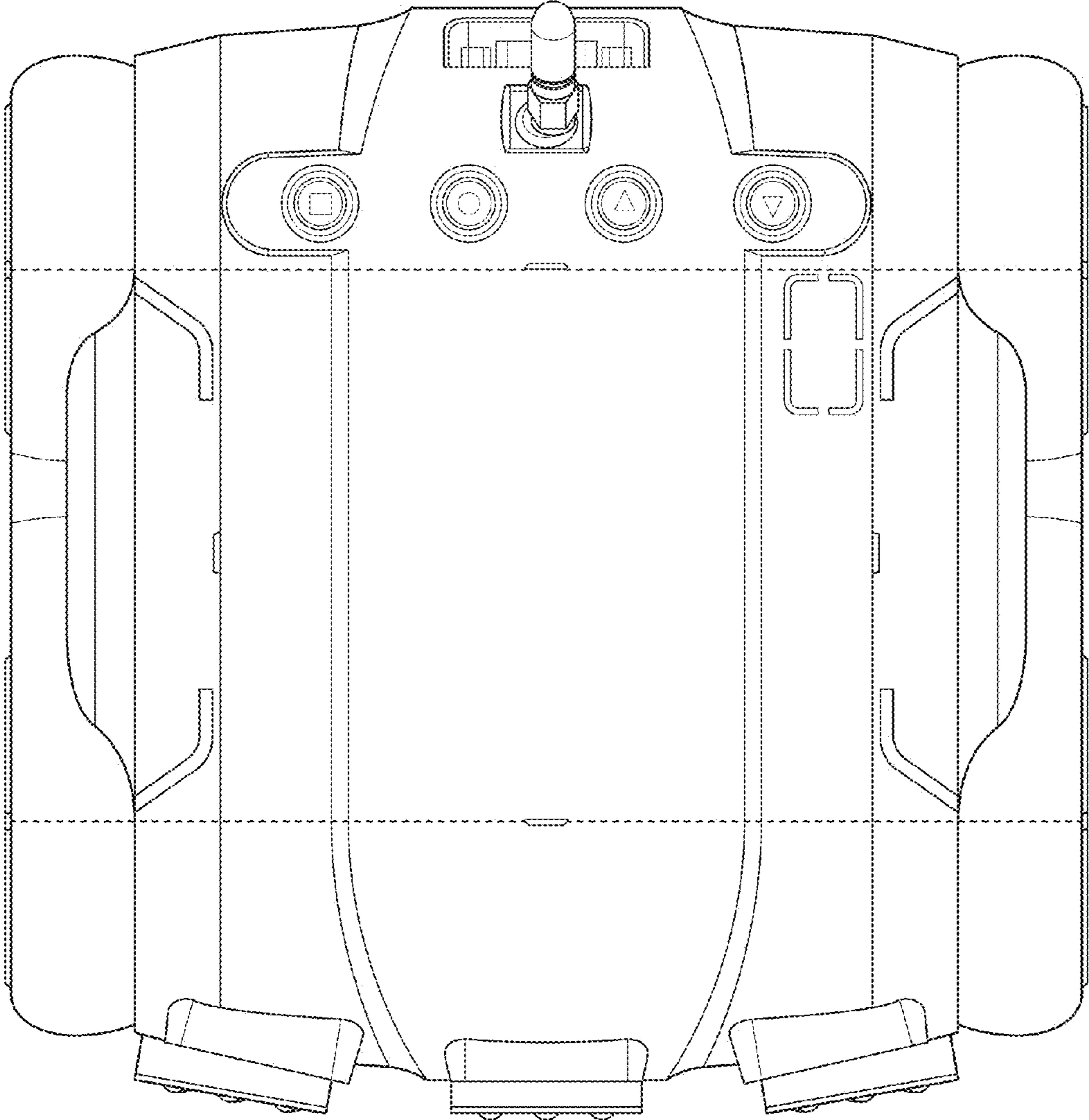


FIG. 5

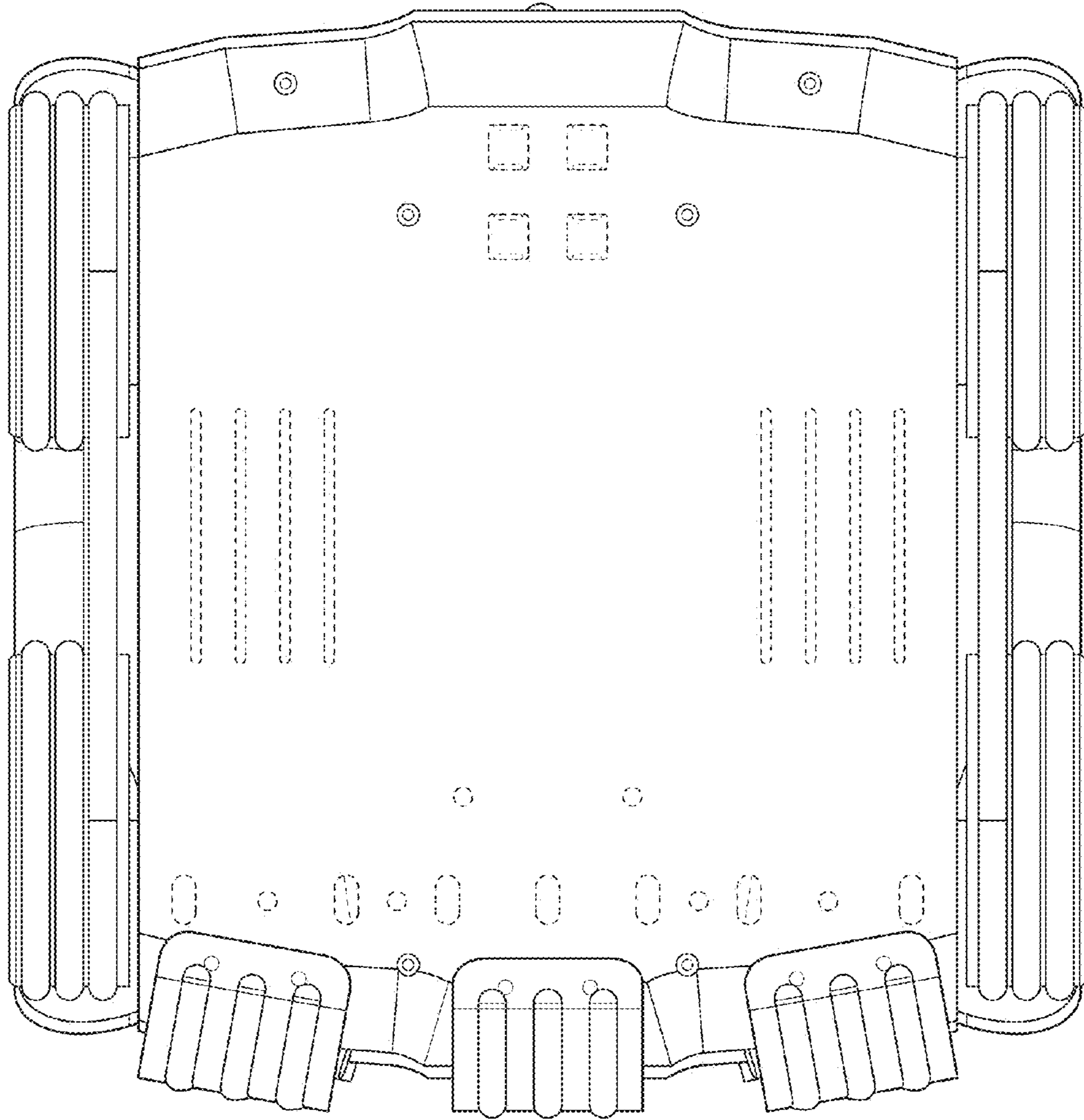


FIG. 6