



US00D691673S

(12) **United States Design Patent**
Vazquez

(10) **Patent No.:** **US D691,673 S**
(45) **Date of Patent:** **** Oct. 15, 2013**

- (54) **FLYING DISC WITH A ROTATIONAL DISC**
- (76) Inventor: **Marcelo Juvenal Vazquez**, Atlanta, GA (US)
- (**) Term: **14 Years**
- (21) Appl. No.: **29/428,405**
- (22) Filed: **Jul. 31, 2012**
- (51) **LOC (9) Cl.** **21-02**
- (52) **U.S. Cl.**
USPC **D21/443; D21/436**
- (58) **Field of Classification Search**
USPC D21/374, 387, 405, 301, 312, 436, D21/437, 441, 443, 444; D12/319, 320, D12/321, 325; 446/230, 231, 236, 240; 244/12.2, 23 C, 24, 158.1; 273/348, 359, 273/362, 348.2; 473/588, 589, 590, 591
See application file for complete search history.

(56) **References Cited**

U.S. PATENT DOCUMENTS

D96,199	S	*	7/1935	Post	D21/374
D117,275	S	*	10/1939	Jenkins	D21/405
D241,565	S	*	9/1976	Molenaar	D21/444
4,132,031	A	*	1/1979	Psyras	446/47
4,246,720	A	*	1/1981	Stone	446/47
4,302,901	A	*	12/1981	Psyras	446/46
4,370,824	A	*	2/1983	Resnicow	446/48
4,752,267	A	*	6/1988	Layman	446/46
5,020,808	A	*	6/1991	Richards	473/589
5,080,624	A	*	1/1992	Brinker	446/48

5,263,819	A	*	11/1993	O'Leary et al.	446/48
5,269,716	A	*	12/1993	Viola	446/48
5,351,967	A	*	10/1994	Yang	273/348.2
5,853,311	A	*	12/1998	Bartholomew	446/48
6,468,123	B1	*	10/2002	Valencia	446/48
D478,637	S	*	8/2003	Derrick	D21/443
D509,259	S	*	9/2005	Dennis	D21/444
D533,600	S	*	12/2006	Kennedy	D21/387

* cited by examiner

Primary Examiner — Caron D Veynar

Assistant Examiner — Martie K Holtje

(74) *Attorney, Agent, or Firm* — Gaylon Hollis

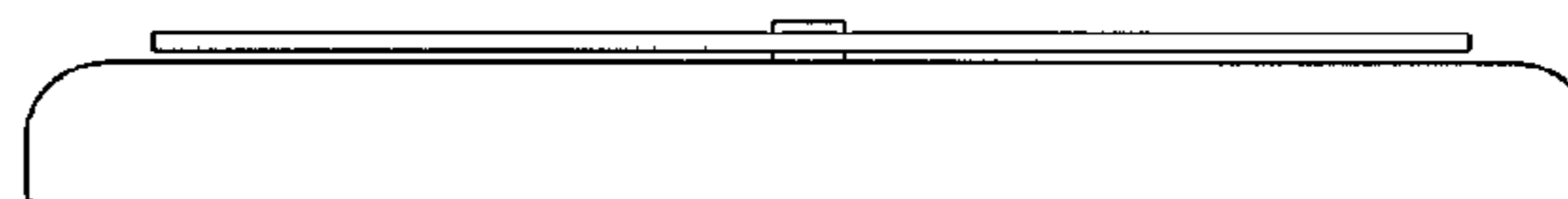
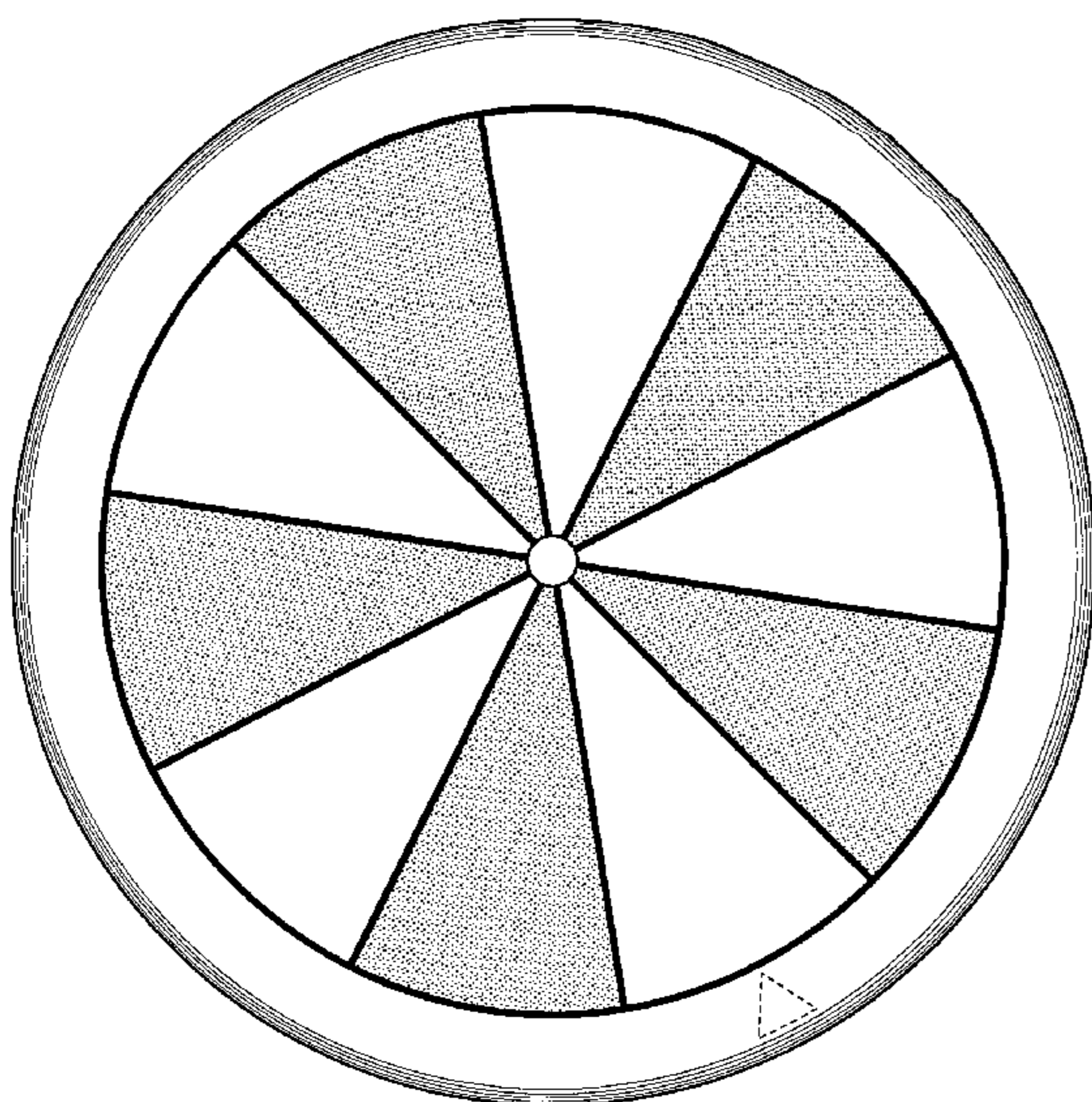
(57) **CLAIM**

The ornamental design for a flying disc with a rotational disc, as shown and described.

DESCRIPTION

FIG. 1 is a top perspective view of a flying disc with a rotational disc showing my new design;
 FIG. 2 is a top plan view of FIG. 1;
 FIG. 3 is a left side elevational view of FIG. 1, the right side elevational view, the front elevational view, and the rear elevational view all being identical thereto;
 FIG. 4 is a top plan view of an alternate embodiment of FIG. 1;
 FIG. 5 is a bottom perspective view of FIG. 1; and,
 FIG. 6 is a bottom plan view of FIG. 1.
 The broken lines in FIGS. 5 and 6 are for illustrative purposes only and form no part of the claimed design.

1 Claim, 3 Drawing Sheets



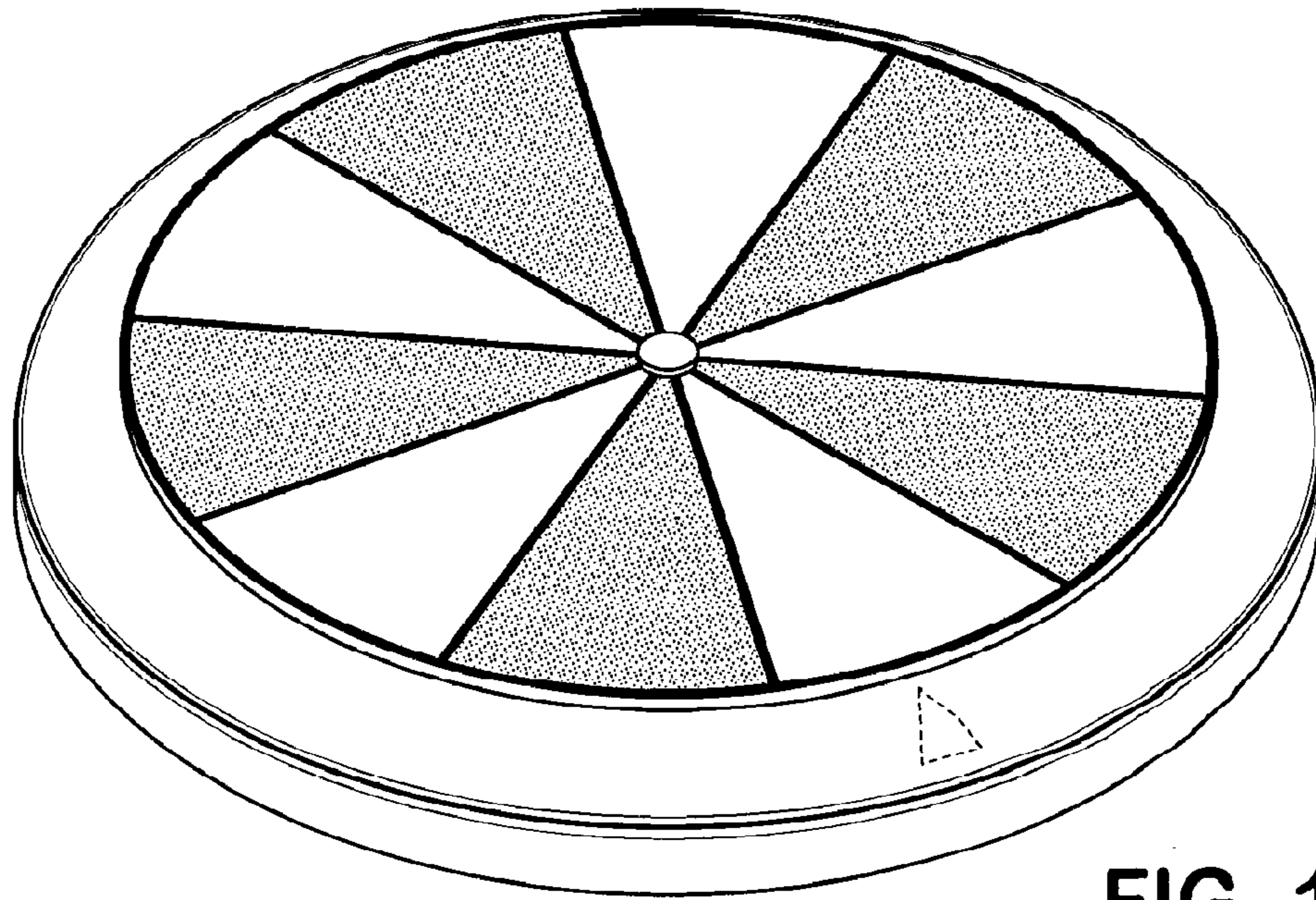


FIG. 1

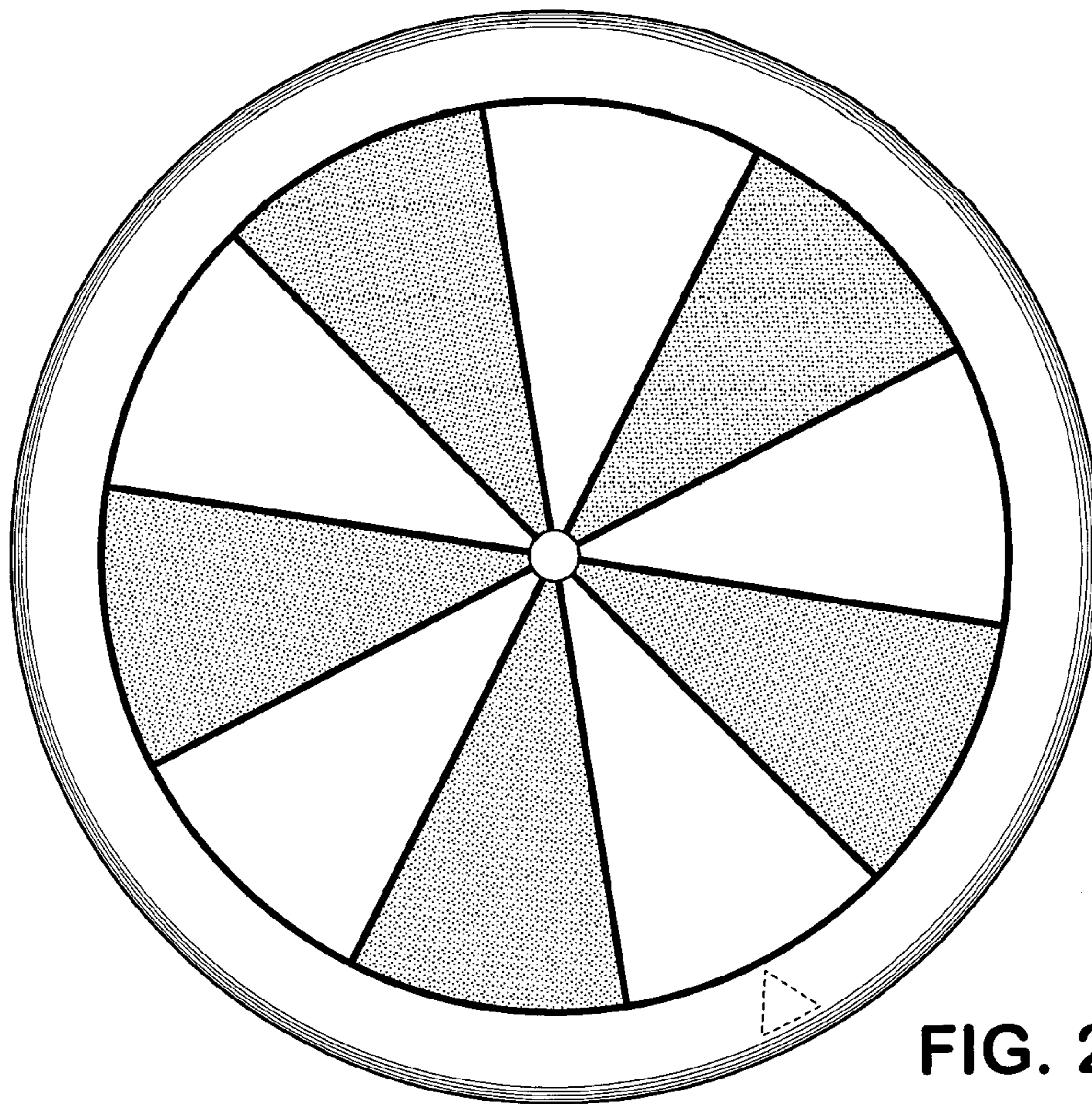


FIG. 2

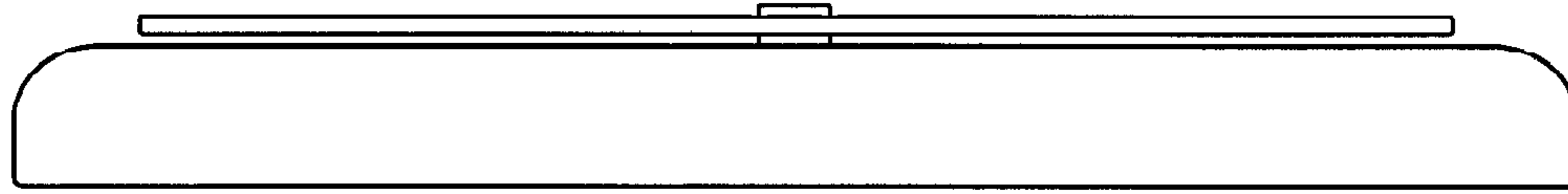


FIG. 3

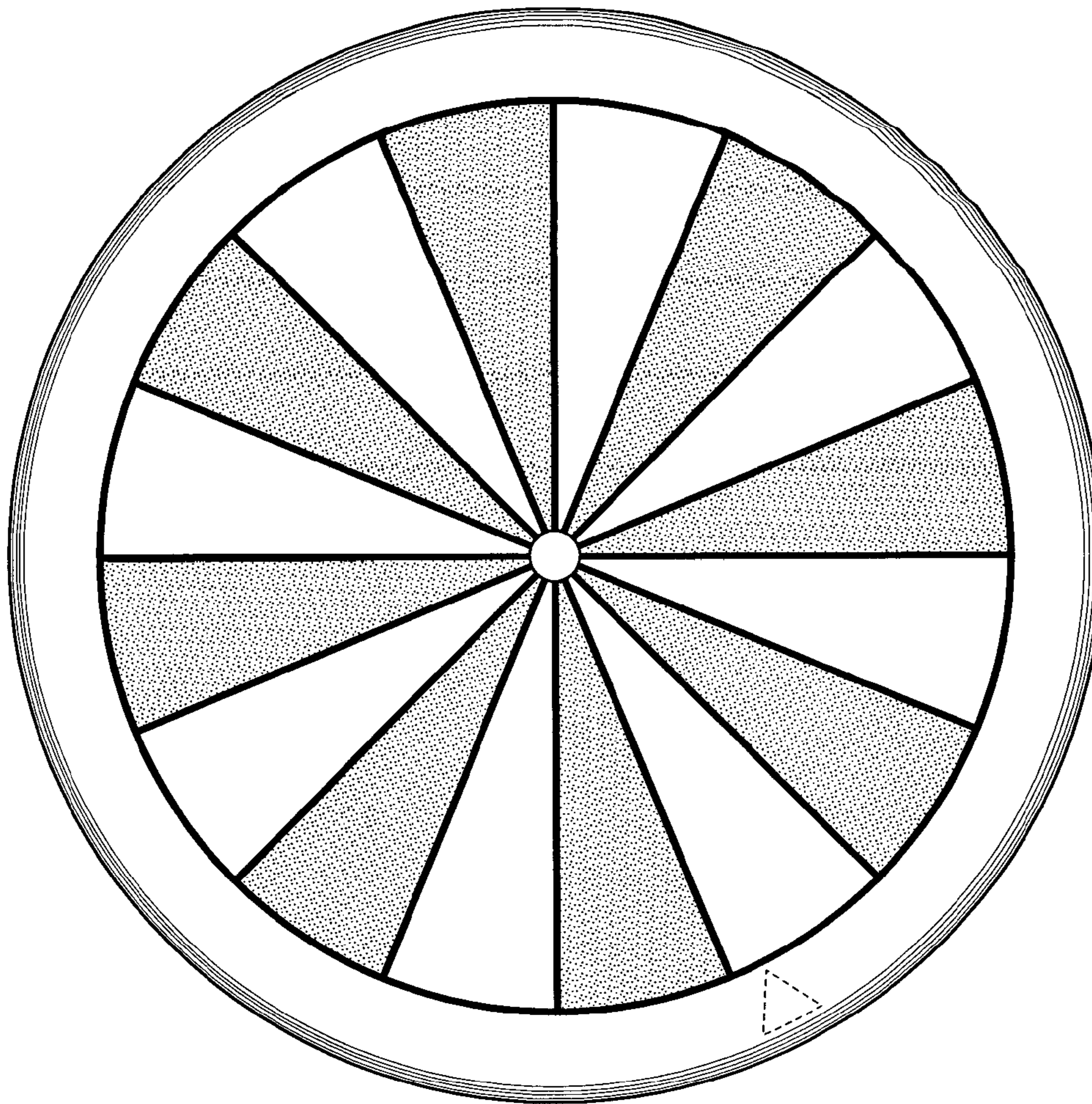


FIG. 4

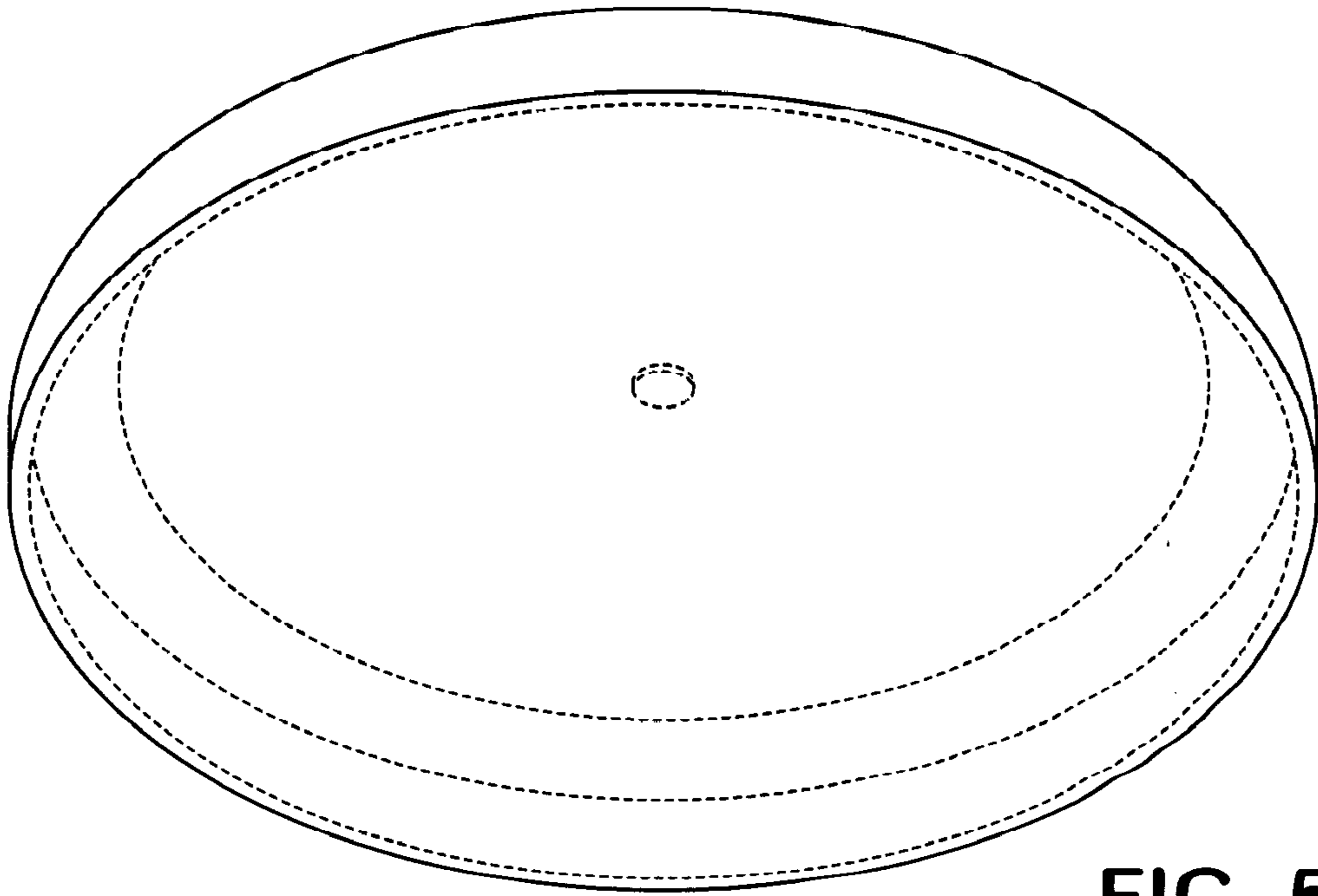


FIG. 5

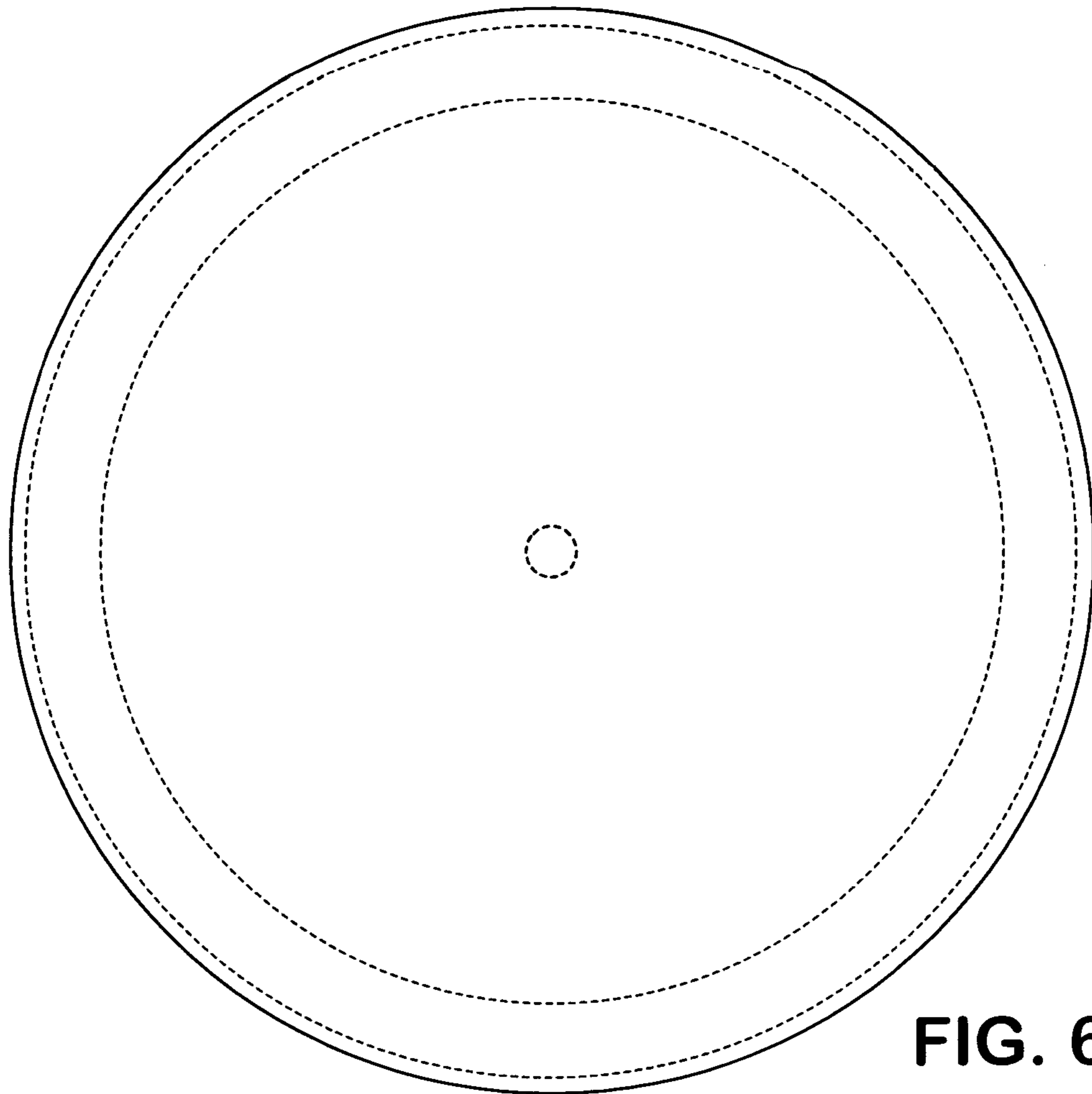


FIG. 6