



US00D691671S

(12) **United States Design Patent**
Chen et al.

(10) **Patent No.:** **US D691,671 S**
(45) **Date of Patent:** **** Oct. 15, 2013**

(54) **CASTER SCOOTER**

(75) Inventors: **Robert Chen**, San Marino, CA (US);
Robert Hadley, Yorba Linda, CA (US)

(73) Assignee: **Razor USA, LLC**, Cerritos, CA (US)

(**) Term: **14 Years**

(21) Appl. No.: **29/417,718**

(22) Filed: **Apr. 6, 2012**

(51) **LOC (9) Cl.** **21-01**

(52) **U.S. Cl.**
USPC **D21/423**

(58) **Field of Classification Search**
USPC D21/419, 421, 423, 426, 769, 760, 765,
D21/771, 803; D12/1, 8; 280/14.21, 14.25,
280/14.26, 87.041, 87.042, 263, 288.1,
280/288.2, 288.4, 200, 214, 809; 180/180,
180/181

See application file for complete search history.

(56) **References Cited**

U.S. PATENT DOCUMENTS

D438,912 S * 3/2001 Barrera D21/423
D439,623 S * 3/2001 Barrera D21/423

D444,824 S * 7/2001 Udwin et al. D21/423
D446,259 S * 8/2001 Udwin et al. D21/423
D447,187 S * 8/2001 Powers D21/423
6,619,679 B2 * 9/2003 Lan 280/87.05
D486,532 S * 2/2004 Christianson D21/423
D492,367 S * 6/2004 Dennis D21/423

* cited by examiner

Primary Examiner — Cynthia M Chin

(74) *Attorney, Agent, or Firm* — Knobbe Martens Olson & Bear, LLP

(57) **CLAIM**

The ornamental design for a caster scooter, as shown and described.

DESCRIPTION

FIG. 1 is a perspective view a caster scooter which embodies our design.

FIG. 2 is a rear view of the caster scooter of FIG. 1.

FIG. 3 is a front view of the caster scooter of FIG. 1.

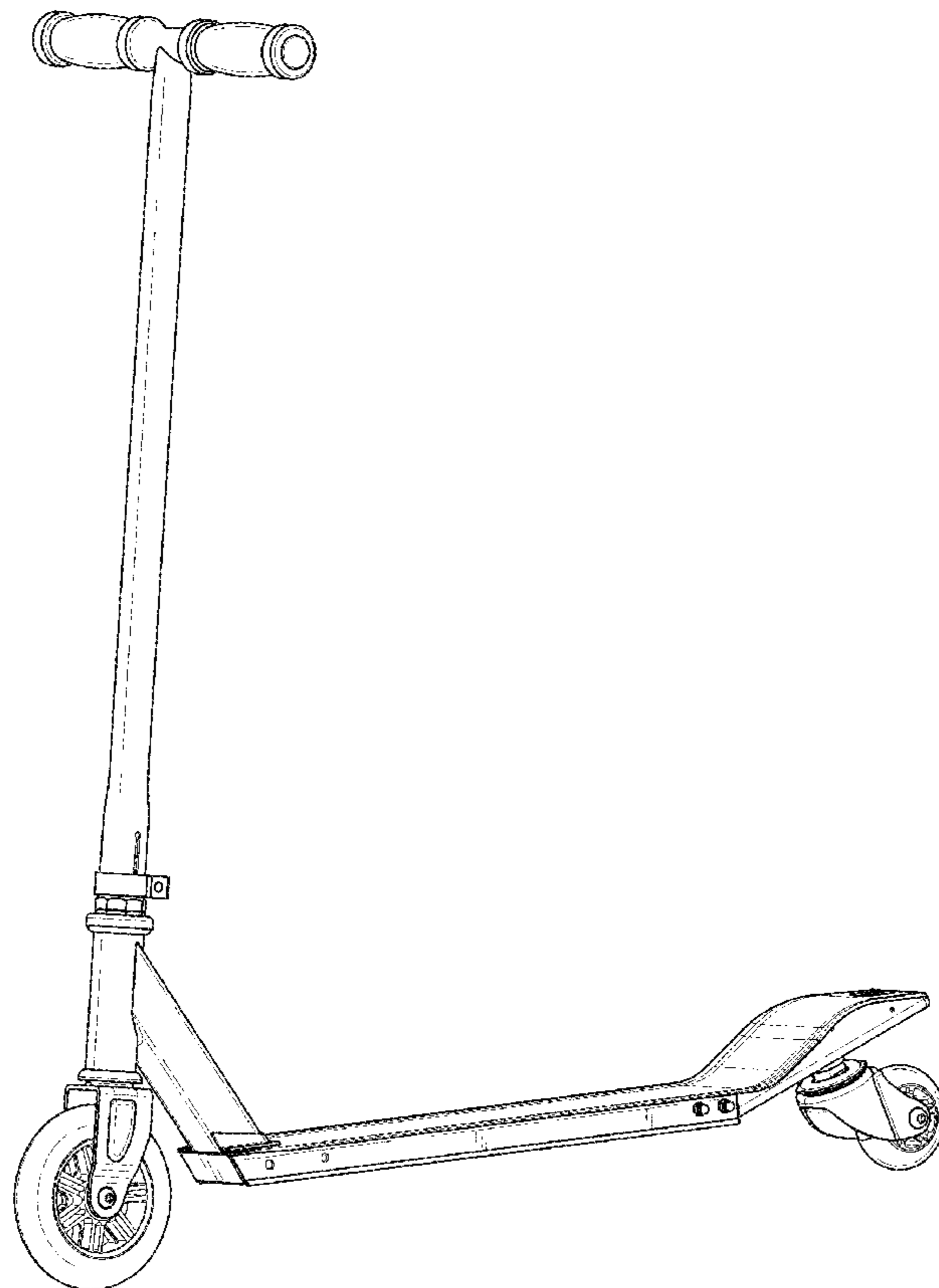
FIG. 4 is a left side view of the caster scooter of FIG. 1. The right side view is a mirror image of the left side view.

FIG. 5 is a top view of the caster scooter of FIG. 1; and,

FIG. 6 is a bottom view of the caster scooter of FIG. 1.

Where utilized, the broken lines show portions of the caster scooter that form no part of the claimed design.

1 Claim, 4 Drawing Sheets



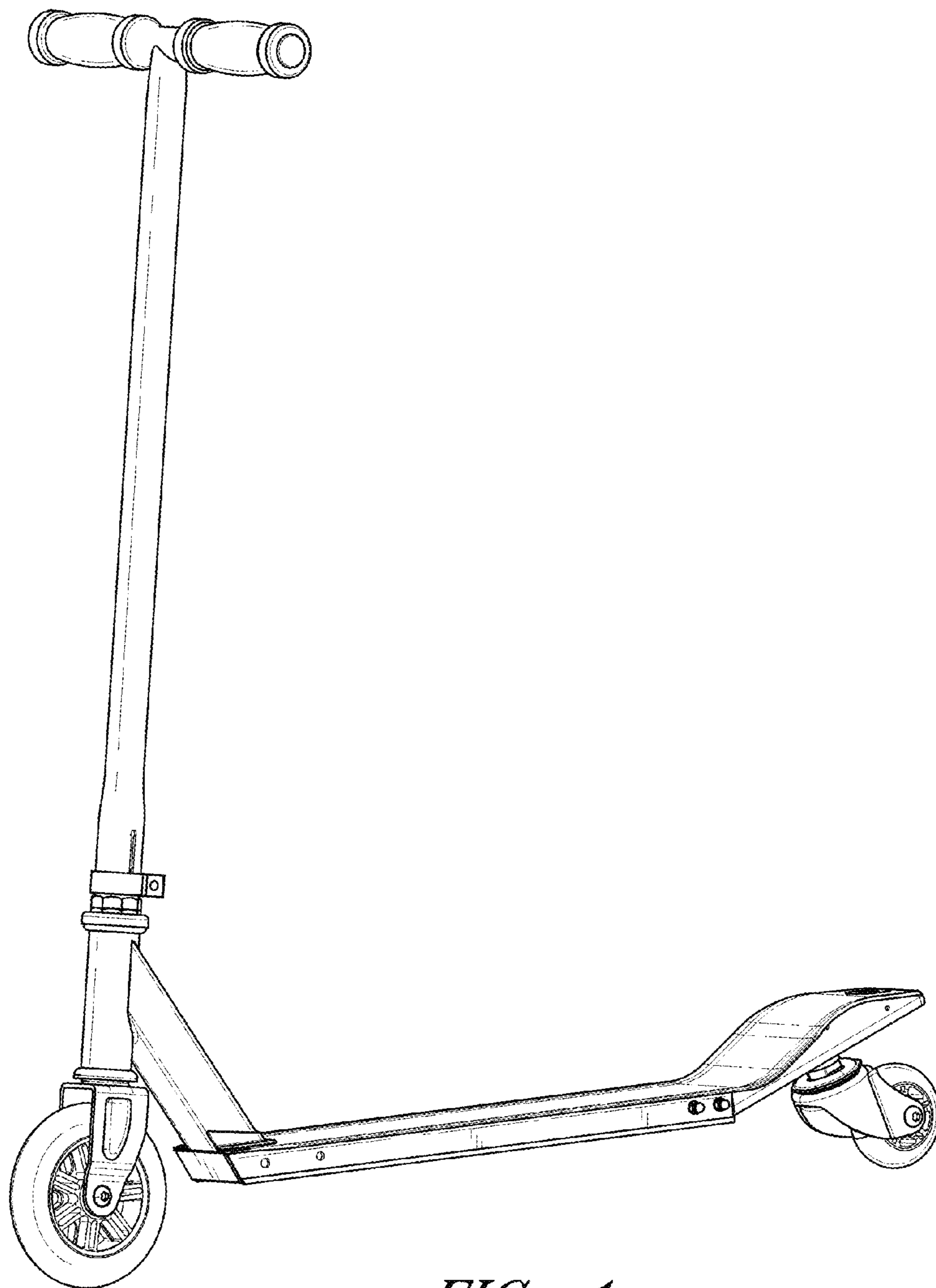


FIG. 1

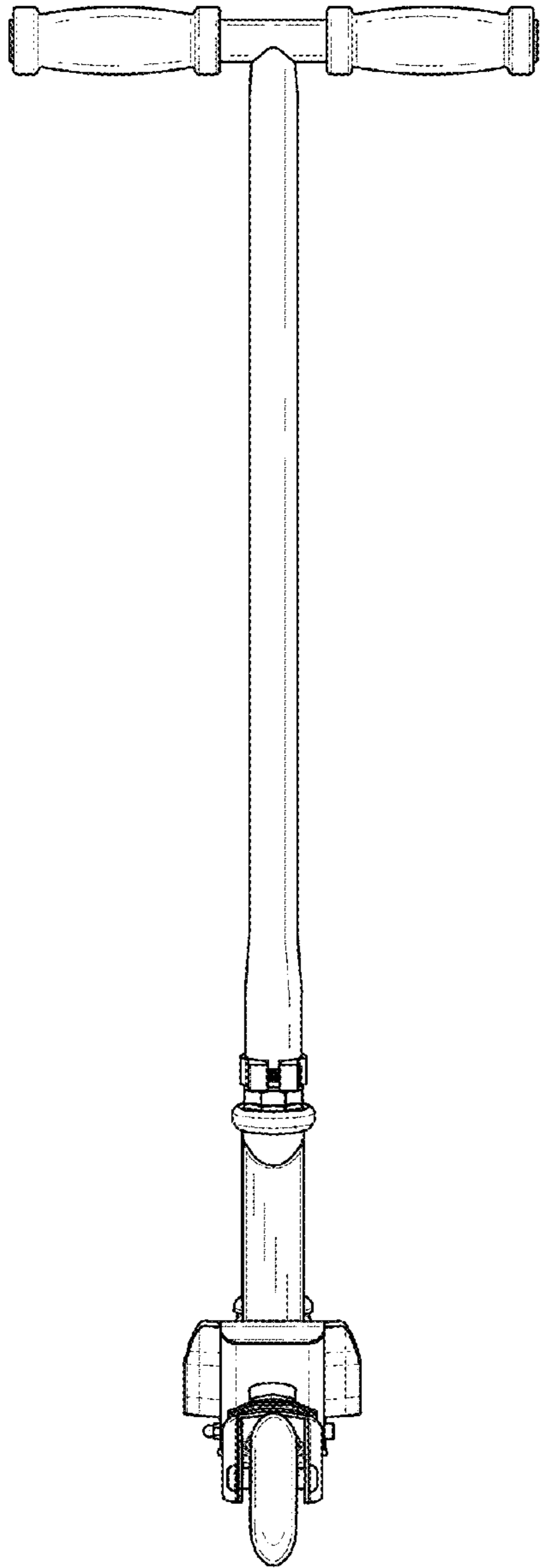


FIG. 2

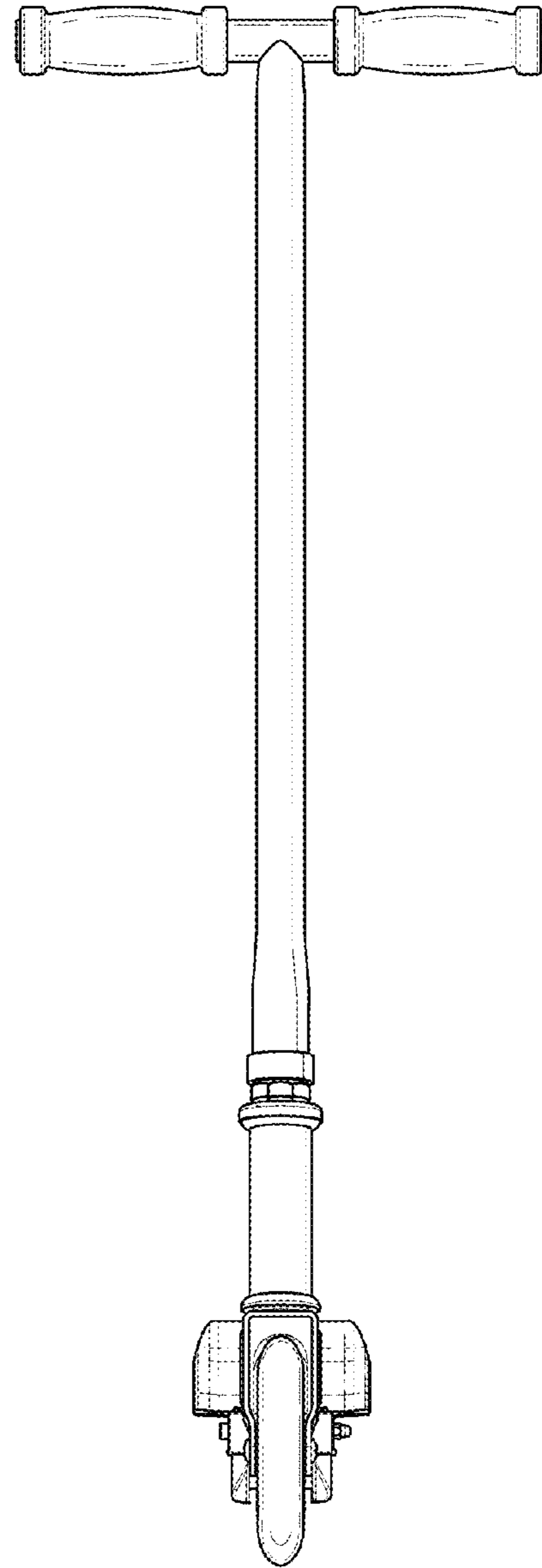


FIG. 3

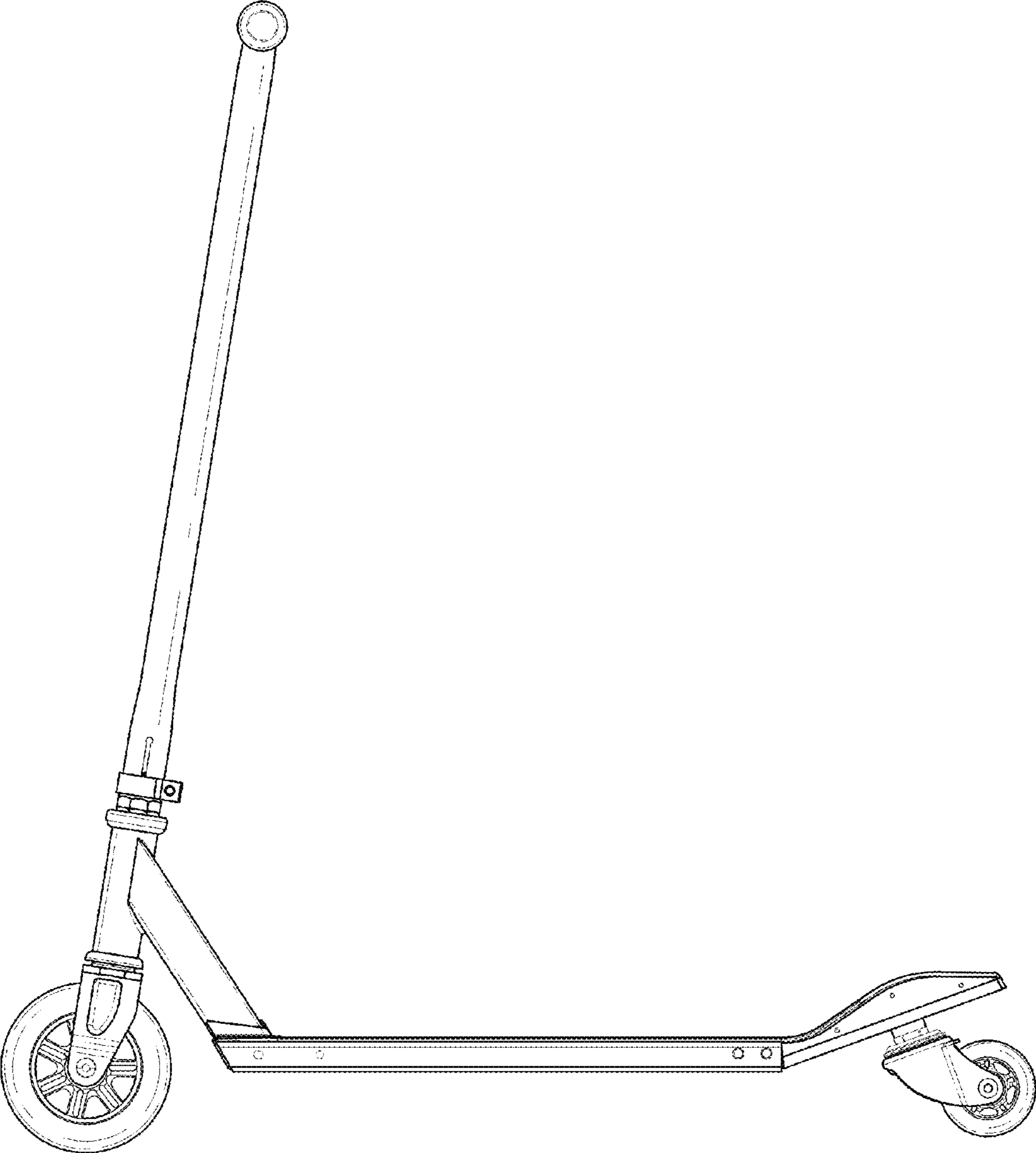


FIG. 4

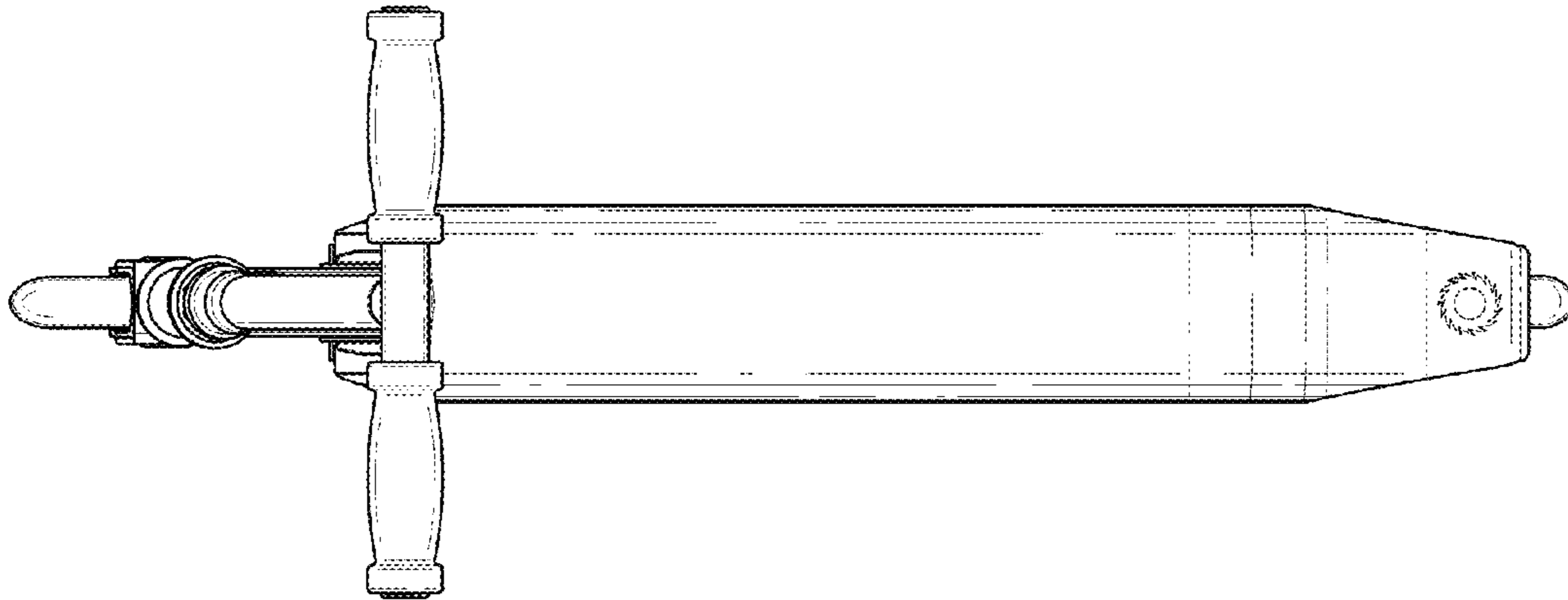


FIG. 5

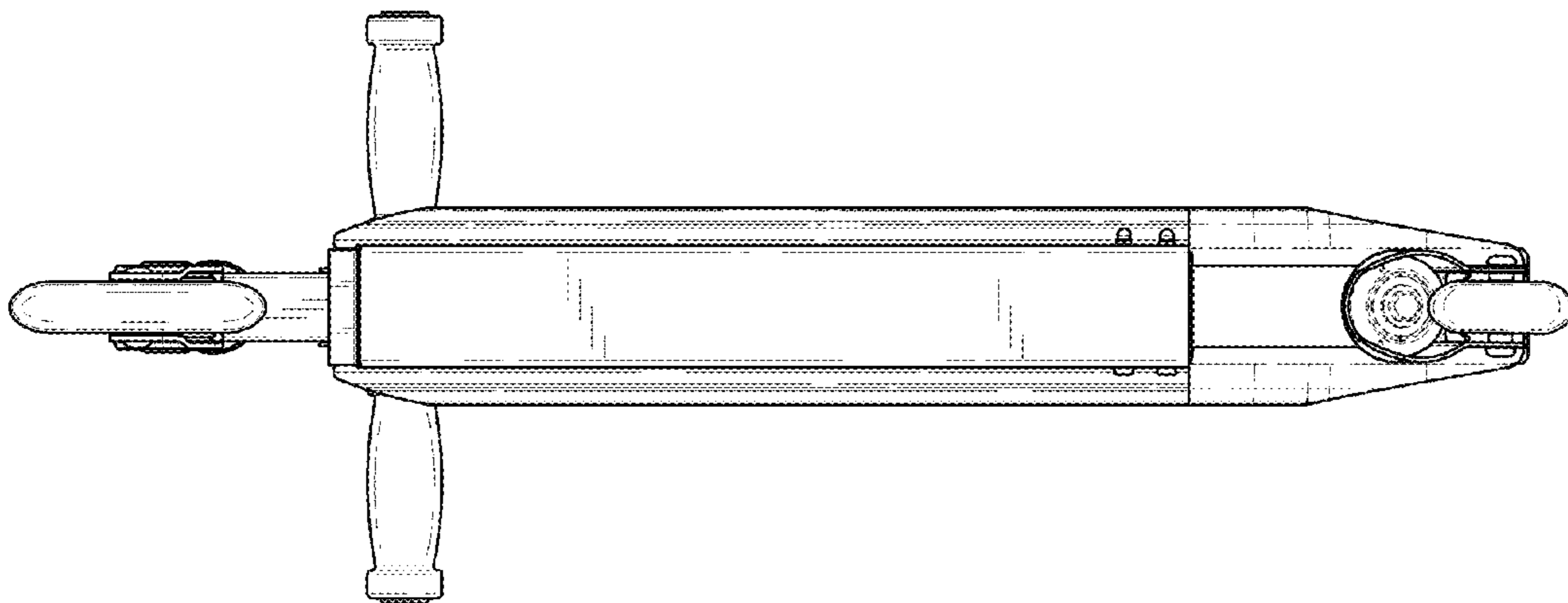


FIG. 6