

US00D691665S

(12) **United States Design Patent**
Chudek

(10) **Patent No.:** **US D691,665 S**
(45) **Date of Patent:** **** Oct. 15, 2013**

(54) **GAMING MACHINE**
(71) Applicant: **WMS Gaming Inc.**, Waukegan, IL (US)
(72) Inventor: **Christopher W. Chudek**, Evanston, IL (US)

5,074,558 A 12/1991 Bleich et al. 273/121 A
5,083,738 A 1/1992 Infanti 248/500
5,091,677 A 2/1992 Bleich et al. 315/360
5,102,192 A 4/1992 Barile 297/257
5,110,120 A 5/1992 Smolucha 273/121 R
5,114,112 A 5/1992 Infanti 248/500
5,120,058 A 6/1992 Trudeau et al. 773/121 R
5,123,647 A 6/1992 Lawlor et al. 273/121 A

(73) Assignee: **WMS Gaming Inc.**, Waukegan, IL (US)

(Continued)

(**) Term: **14 Years**

FOREIGN PATENT DOCUMENTS

(21) Appl. No.: **29/433,169**

EP 649 671 A1 4/1995
JP 03210172 B2 2/1993

(22) Filed: **Sep. 26, 2012**

OTHER PUBLICATIONS

(51) **LOC (9) Cl.** **21-03**

Product Catalog for Ainsworth Game Technology Ltd, date estimated as early as 2007 (6 pages).

(52) **U.S. Cl.**

USPC **D21/369; D21/385**

(Continued)

(58) **Field of Classification Search**

USPC D21/369-370, 385; 273/138.1, 268, 273/274; 463/16-17, 20, 46-47

See application file for complete search history.

Primary Examiner — Sandra Morris

(74) *Attorney, Agent, or Firm* — Nixon Peabody LLP

(56) **References Cited**

(57) **CLAIM**

I claim the ornamental design for a “gaming machine,” as shown and described.

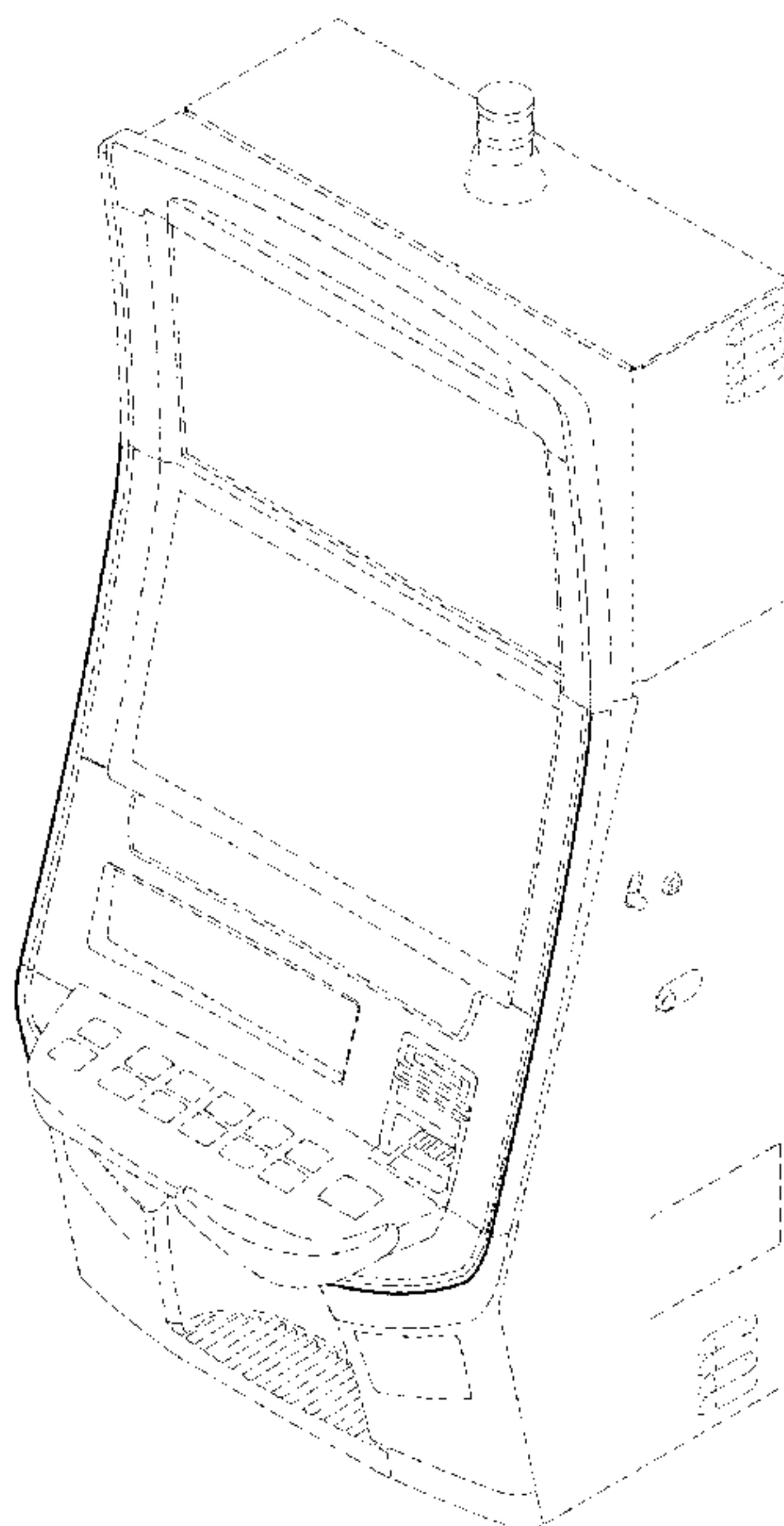
U.S. PATENT DOCUMENTS

DESCRIPTION

2,661,954 A 12/1953 Koci 463/57
D236,720 S 9/1975 Baker D21/370
4,046,419 A 9/1977 Schmitt 297/153
D264,485 S 5/1982 Kitchen D21/370
4,373,725 A 2/1983 Ritchie 273/121
D275,772 S 10/1984 Akopian et al. D21/13
D280,835 S 10/1985 Berge et al. D21/13
D280,836 S 10/1985 Ludzia et al. D21/13
4,606,545 A 8/1986 Ritchie 273/121
4,705,274 A 11/1987 Lubeck 273/148
4,840,343 A 6/1989 Gasser 248/500
4,861,037 A 8/1989 Oursler 273/121 D
4,960,117 A 10/1990 Moncrief et al. 463/46
4,981,298 A 1/1991 Lawlor et al. 273/121 A
D315,110 S 3/1991 Slater D10/88
5,015,189 A 5/1991 Wenzinger et al. 434/63

FIG. 1 is an isometric view of a gaming machine.
FIG. 2 is a left view of the gaming machine shown in FIG. 1.
FIG. 3 is a front view of the gaming machine shown in FIG. 1.
FIG. 4 is a right view of the gaming machine shown in FIG. 1.
FIG. 5 is a top view of the gaming machine shown in FIG. 1; and,
FIG. 6 is an enlarged view of a button area shown in FIG. 1.
The broken lines are only for illustrative purposes to show visible environmental structure and form no part of the claimed design.

1 Claim, 3 Drawing Sheets



(56)

References Cited

U.S. PATENT DOCUMENTS

- | | | | | | | | |
|-------------|---------|-------------------|------------|--------------|---------|---------------------|------------|
| 5,143,055 A | 9/1992 | Eakin | 601/47 | D428,062 S | 7/2000 | Hayashi | D21/325 |
| 5,149,094 A | 9/1992 | Tastad | 273/121 A | 6,089,663 A | 7/2000 | Hill | 297/258.1 |
| D333,164 S | 2/1993 | Kraft et al. | D21/325 | 6,102,394 A | 8/2000 | Wurz et al. | 273/138.2 |
| 5,193,807 A | 3/1993 | Schilling et al. | 273/121 R | 6,113,097 A | 9/2000 | Krutsch et al. | 273/118 A |
| 5,195,746 A | 3/1993 | Boyd et al. | 463/37 | 6,117,010 A | 9/2000 | Canterbury | 463/20 |
| D335,150 S | 4/1993 | Biagi et al. | D21/48 | 6,120,021 A | 9/2000 | Piotrowski et al. | 273/118 R |
| 5,226,653 A | 7/1993 | Bil et al. | 273/121 A | 6,129,353 A | 10/2000 | DeMar et al. | 273/119 R |
| 5,232,191 A | 8/1993 | Infanti | 248/500 | 6,129,355 A | 10/2000 | Hahn et al. | 273/142 R |
| 5,290,034 A | 3/1994 | Hineman | 273/148 | 6,135,449 A | 10/2000 | Cornell et al. | 273/119 R |
| 5,297,793 A | 3/1994 | DeMar et al. | 273/129 V | 6,135,562 A | 10/2000 | Infanti | 297/440.2 |
| 5,316,303 A | 5/1994 | Trudeau et al. | 273/121 A | 6,149,153 A | 11/2000 | Sheats, Jr. | 273/129 V |
| 5,322,283 A | 6/1994 | Ritchie et al. | 273/177 | 6,155,565 A | 12/2000 | Gomez et al. | 273/118 R |
| 5,326,104 A | 7/1994 | Pease et al. | 273/138 A | 6,155,925 A | 12/2000 | Giobbi et al. | 463/20 |
| 5,350,174 A | 9/1994 | Ritchie et al. | 273/121 A | 6,158,737 A | 12/2000 | Cornell et al. | 273/118 R |
| D351,869 S | 10/1994 | Rothschild et al. | D21/37 | 6,159,098 A | 12/2000 | Slomiany et al. | 463/25 |
| 5,351,954 A | 10/1994 | Oursler et al. | 273/127 R | 6,164,644 A | 12/2000 | Cornell et al. | 273/118 R |
| 5,357,104 A | 10/1994 | Bleich | 250/229 | 6,173,955 B1 | 1/2001 | Perrie et al. | 273/146 |
| 5,358,241 A | 10/1994 | Anghelo et al. | 273/118 R | 6,199,861 B1 | 3/2001 | Hume et al. | 273/118 R |
| 5,358,242 A | 10/1994 | Trudeau et al. | 273/119 R | D439,931 S | 4/2001 | Yamaguchi | D21/369 |
| 5,358,243 A | 10/1994 | Eddy et al. | 273/121 D | 6,210,279 B1 | 4/2001 | Dickinson | 463/37 |
| D352,738 S | 11/1994 | Anghelo et al. | D21/13 | 6,224,482 B1 | 5/2001 | Bennett | 463/20 |
| 5,383,663 A | 1/1995 | Anghelo et al. | 273/118 R | 6,227,614 B1 | 5/2001 | Rubin | 297/172 |
| 5,405,144 A | 4/1995 | Ritchie et al. | 273/121 A | 6,227,970 B1 | 5/2001 | Shimizu et al. | 463/20 |
| 5,409,296 A | 4/1995 | Barile | 297/344.1 | D443,313 S | 6/2001 | Brettschneider | D21/369 |
| 5,411,257 A | 5/1995 | Fulton | 273/85 | D446,252 S | 8/2001 | Yamaguchi | D21/325 |
| 5,415,402 A | 5/1995 | Morrison et al. | 273/121 A | 6,283,546 B1 | 9/2001 | Hill | 297/271.1 |
| 5,415,403 A | 5/1995 | Ritchie et al. | 273/121 A | 6,290,229 B1 | 9/2001 | Perez | 273/148 |
| 5,417,425 A | 5/1995 | Blumberg et al. | 273/127 R | D450,094 S | 11/2001 | Hedrick et al. | D21/369 |
| 5,437,453 A | 8/1995 | Hineman | 273/148 | 6,334,612 B1 | 1/2002 | Wurz et al. | 273/143 R |
| 5,465,963 A | 11/1995 | Patla, Sr. | 273/118 R | 6,354,660 B1 | 3/2002 | Friedrich | 297/217.1 |
| 5,472,197 A | 12/1995 | Gwiasda et al. | 273/143 R | D459,402 S | 6/2002 | Wurz et al. | D21/325 |
| 5,494,286 A | 2/1996 | DeMar et al. | 273/121 A | 6,422,670 B1 | 7/2002 | Hedrick et al. | 312/223.1 |
| 5,507,488 A | 4/1996 | Eddy et al. | 273/127 R | 6,422,941 B1 | 7/2002 | Thorner et al. | 463/30 |
| 5,511,783 A | 4/1996 | Popadiuk et al. | 273/118 R | 6,439,993 B1 | 8/2002 | O'Halloran | 463/16 |
| 5,516,103 A | 5/1996 | Lawlor et al. | 273/127 R | D463,504 S | 9/2002 | Stephan | D21/325 |
| 5,522,641 A | 6/1996 | Infanti | 297/344.13 | D464,377 S | 10/2002 | Wurz et al. | D21/325 |
| 5,524,887 A | 6/1996 | Trudeau et al. | 273/129 S | D465,813 S | 11/2002 | Randall | D21/370 |
| 5,533,726 A | 7/1996 | Nordman et al. | 273/119 R | D466,160 S | 11/2002 | Hirato et al. | D21/325 |
| 5,542,748 A | 8/1996 | Barile | 297/463.1 | D467,977 S | 12/2002 | Gatto et al. | D21/326 |
| D376,391 S | 12/1996 | Okumura | D21/326 | D468,364 S | 1/2003 | Beadell et al. | D21/325 |
| 5,580,052 A | 12/1996 | Popadiuk et al. | 273/127 R | 6,530,842 B1 | 3/2003 | Wells et al. | 463/46 |
| 5,632,482 A | 5/1997 | Anghelo | 273/121 R | 6,530,872 B2 | 3/2003 | Freshland et al. | 494/49 |
| D380,014 S | 6/1997 | Yang | D21/370 | 6,572,187 B2 | 6/2003 | Laufer | 297/217.1 |
| 5,655,965 A | 8/1997 | Takemoto et al. | 463/20 | 6,589,114 B2 | 7/2003 | Rose | 463/20 |
| 5,664,777 A | 9/1997 | Nordman et al. | 273/127 R | 6,609,972 B2 | 8/2003 | Seelig | 463/20 |
| 5,669,818 A | 9/1997 | Thorner et al. | 463/30 | 6,616,142 B2 | 9/2003 | Adams | 273/292 |
| 5,678,886 A | 10/1997 | Infanti | 297/217.3 | 6,620,047 B1 | 9/2003 | Alcorn et al. | 463/37 |
| 5,697,612 A | 12/1997 | Piotrowski et al. | 273/127 R | D481,078 S | 10/2003 | Stephan | D21/369 |
| 5,704,835 A | 1/1998 | Dietz, II | 463/20 | 6,646,695 B1 | 11/2003 | Gauselmann | 349/58 |
| 5,707,059 A | 1/1998 | Sullivan et al. | 273/121 A | D483,075 S | 12/2003 | Kang | D21/326 |
| 5,720,480 A | 2/1998 | Lawlor et al. | 273/118 A | D484,548 S | 12/2003 | Franco Muñoz et al. | D21/370 |
| D395,436 S | 6/1998 | Hagenbuch | D21/38 | D485,583 S | 1/2004 | Porto | D21/369 |
| 5,762,617 A | 6/1998 | Infanti | 601/49 | 6,715,756 B2 | 4/2004 | Inoue | 273/138 |
| 5,791,731 A | 8/1998 | Infanti | 297/217.3 | 6,729,618 B1 | 5/2004 | Koenig et al. | 273/138.2 |
| 5,806,851 A | 9/1998 | Gomez et al. | 273/121 A | D492,363 S | 6/2004 | Seelig et al. | D21/370 |
| 5,820,460 A | 10/1998 | Fulton | 463/13 | D492,364 S | 6/2004 | Seelig et al. | D21/370 |
| 5,833,236 A | 11/1998 | Oursler et al. | 273/127 R | D492,365 S | 6/2004 | Muñoz et al. | D21/370 |
| D405,473 S | 2/1999 | Tikhonski et al. | D20/42 | D492,676 S | 7/2004 | Monson et al. | D14/306 |
| D407,759 S | 4/1999 | Isetani et al. | D21/326 | D493,843 S | 8/2004 | Jackson et al. | D21/327 |
| D408,366 S | 4/1999 | Popadiuk | D13/58 | D493,846 S | 8/2004 | Seelig et al. | D21/370 |
| 5,890,715 A | 4/1999 | Gomez et al. | 273/118 R | D495,754 S | 9/2004 | Wurz et al. | D21/370 |
| 5,899,454 A | 5/1999 | Eddy et al. | 273/127 C | D495,755 S | 9/2004 | Wurz et al. | D21/370 |
| 5,924,690 A | 7/1999 | Kopera et al. | 273/127 R | D498,267 S | 11/2004 | Crouch | D21/370 |
| 5,934,672 A | 8/1999 | Sines et al. | 273/143 R | D500,098 S | 12/2004 | Doi | D21/477 |
| 5,938,195 A | 8/1999 | Anghelo et al. | 273/127 D | 6,880,825 B2 | 4/2005 | Seelig et al. | 273/143 R |
| 5,944,309 A | 8/1999 | Popadiuk et al. | 273/121 A | D508,268 S | 8/2005 | Hanchar et al. | D21/369 |
| 5,984,782 A | 11/1999 | Inoue | 463/20 | D508,269 S | 8/2005 | Wichinsky | D21/369 |
| 6,000,697 A | 12/1999 | Popadiuk et al. | 273/118 R | D508,719 S | 8/2005 | de Haas | D21/369 |
| D419,201 S | 1/2000 | De Haas | D21/370 | D508,961 S | 8/2005 | Gatto et al. | D21/369 |
| D419,606 S | 1/2000 | Toriyama | D21/325 | D509,254 S | 9/2005 | Rasmussen et al. | D21/369 |
| 6,036,188 A | 3/2000 | Gomez et al. | 273/118 R | D512,105 S | 11/2005 | Chitrapongse et al. | D21/370 |
| 6,047,962 A | 4/2000 | Popadiuk | 273/119 A | 6,997,810 B2 | 2/2006 | Cole | 463/46 |
| 6,047,963 A | 4/2000 | Pierce et al. | 273/143 R | 7,063,615 B2 | 6/2006 | Alcorn et al. | 463/1 |
| D424,122 S | 5/2000 | Dickenson et al. | D21/325 | 7,108,237 B2 | 9/2006 | Gauselmann | 248/220.22 |
| 6,071,190 A | 6/2000 | Weiss et al. | 463/25 | D531,677 S | 11/2006 | Mallory et al. | D21/369 |
| | | | | 7,184,277 B2 | 2/2007 | Beirne | 361/807 |
| | | | | D539,854 S | 4/2007 | Luciano et al. | D21/369 |
| | | | | D549,785 S | 8/2007 | Luciano, Jr. et al. | D21/370 |
| | | | | 7,267,612 B2 | 9/2007 | Alcorn et al. | 463/16 |

US D691,665 S

D559,328 S	1/2008	Rasmussen et al.	D21/333	2002/0041069 A1	4/2002	Steelman	273/138.1
D559,917 S	1/2008	Cole	D21/369	2003/0122973 A1	7/2003	Huang	348/836
D560,724 S	1/2008	Johnson	D21/370	2004/0018877 A1	1/2004	Tastad et al.	463/46
D560,725 S	1/2008	Johnson	D21/370	2004/0053662 A1	3/2004	Pacey	463/16
D563,326 S	3/2008	Patel et al.	D13/164	2005/0014547 A1	1/2005	Gomez et al.	463/16
D563,481 S	3/2008	Looks et al.	D21/370	2006/0009284 A1	1/2006	Schwartz et al.	463/30
D564,600 S	3/2008	Greenberg et al.	D21/370	2006/0079316 A1	4/2006	Flemming et al.	463/25
D564,601 S	3/2008	Strahinic et al.	D21/370	2006/0131810 A1	6/2006	Nicely	273/292
D566,197 S	4/2008	Greenberg et al.	D21/370	2006/0183553 A1	8/2006	Kiriyama et al.	463/46
D572,314 S	7/2008	Vallejo et al.	D21/370	2006/0199638 A1	9/2006	Walker et al.	463/30
D578,168 S	10/2008	Looks et al.	D21/369	2006/0281559 A1	12/2006	Luciano	463/46
D581,983 S	12/2008	Bergström	D20/2	2006/0287111 A1	12/2006	Mitchell et al.	463/46
RE40,625 E	1/2009	Wurz et al.	D21/325	2008/0039213 A1	2/2008	Cornell et al.	463/46
RE40,671 E	3/2009	Wurz et al.	D21/325	2008/0051202 A1	2/2008	Lube	463/46
7,503,849 B2	3/2009	Hornik et al.	463/20	2012/0122569 A1	5/2012	Kowolik et al.	463/30
D599,858 S	9/2009	Lesley et al.	D21/370				
D599,859 S	9/2009	Lesley et al.	D21/370				
D599,860 S	9/2009	Lesley et al.	D21/385				
D604,368 S	11/2009	Lesley et al.	D21/370				
7,628,693 B2	12/2009	Thomas	463/20				
7,686,689 B2	3/2010	Thomas	463/27				
D613,802 S *	4/2010	Meyers et al.	D21/370				
D615,598 S	5/2010	McComb et al.	D21/370				
7,713,119 B2	5/2010	Pacey et al.	463/20				
D622,780 S	8/2010	Lesley et al.	D21/369				
D622,781 S	8/2010	Lesley et al.	D21/369				
D622,782 S	8/2010	Chudek et al.	D21/385				
D626,182 S *	10/2010	Cole et al.	D21/369				
7,811,167 B2	10/2010	Giobbi et al.	463/24				
D633,950 S *	3/2011	Terpstra et al.	D21/369				
7,976,393 B2	7/2011	Haga et al.	463/46				
7,985,139 B2	7/2011	Lind et al.	463/46				
8,002,424 B2	8/2011	Hwang et al.	362/125				
8,002,626 B2	8/2011	Englman	463/20				
D646,337 S	10/2011	Kelly et al.	D21/370				
D649,605 S	11/2011	Terpstra et al.	D21/370				
8,152,623 B2	4/2012	Fiden	463/20				
8,162,740 B2	4/2012	Aoki	463/20				
8,216,061 B2	7/2012	Pacey	463/25				
8,267,764 B1	9/2012	Aoki et al.	463/16				
8,292,451 B2	10/2012	Hwang et al.	362/125				
8,303,420 B2	11/2012	Chudek et al.	463/46				
8,323,114 B2	12/2012	Burak et al.	463/46				
8,353,755 B2	1/2013	Vann et al.	463/20				
8,371,920 B2	2/2013	Gomez et al.	463/17				
8,371,927 B2	2/2013	Englman	463/20				
8,371,928 B2	2/2013	Englman et al.	463/20				
8,376,832 B2	2/2013	O'Connor et al.	463/20				
8,430,756 B2	4/2013	McComb et al.	463/46				
D685,033 S	6/2013	Wudtke	D21/370				

OTHER PUBLICATIONS

Catalog for Atronic®-Spielo®, date estimated as early as 2008 (2 pages).

Product Catalog for "Alpha Elite™," Bally Technologies, date estimated as early as 2008-2009 (2 pages).

Cabinet Brochure for Hydako Co., date estimated as early as 2009 (1 page).

Product Catalog for Bally Technologies, date estimated as early as 2010 (2 pages).

Fall & Winter Catalog for Aristocrat, date estimated as early as 2010-2011 (7 pages).

Catalog for "Your Partner Innovation," Bally Technologies, date estimated as early as 2011 (4 pages).

Product Sheet for "American Eagle," Eagle Co. Ltd., 2 pages, (1997).

Product Sheet for "Monopoly Chairman of the Board™," WMS Gaming Inc. 2 pages (1999).

Product Sheet for "American Eagle," Eagle Co., Ltd., 2 pages (2000).

Product Sheet for "Survivor," WMS Gaming Inc., 4 pages, (2001).

Product Sheet for "ProSLOT®6000," Bally Gaming Systems, 4 pages, (2002).

Product Sheet for "EVO™ Hybrid," Bally Gaming Systems, 4 pages, (2002).

Product Sheet for "3RV™," WMS Gaming Inc., 2 pages, (2002 or earlier).

Product Sheet for "Miss America," AC Coin & Slot, 2 pages (2002 or earlier).

Product Sheet for "Ultrapin™," Global VR, 1 page (2007).

Brochure for "Virtual Pinball," Tab-Austria, 8 pages (2007).

* cited by examiner

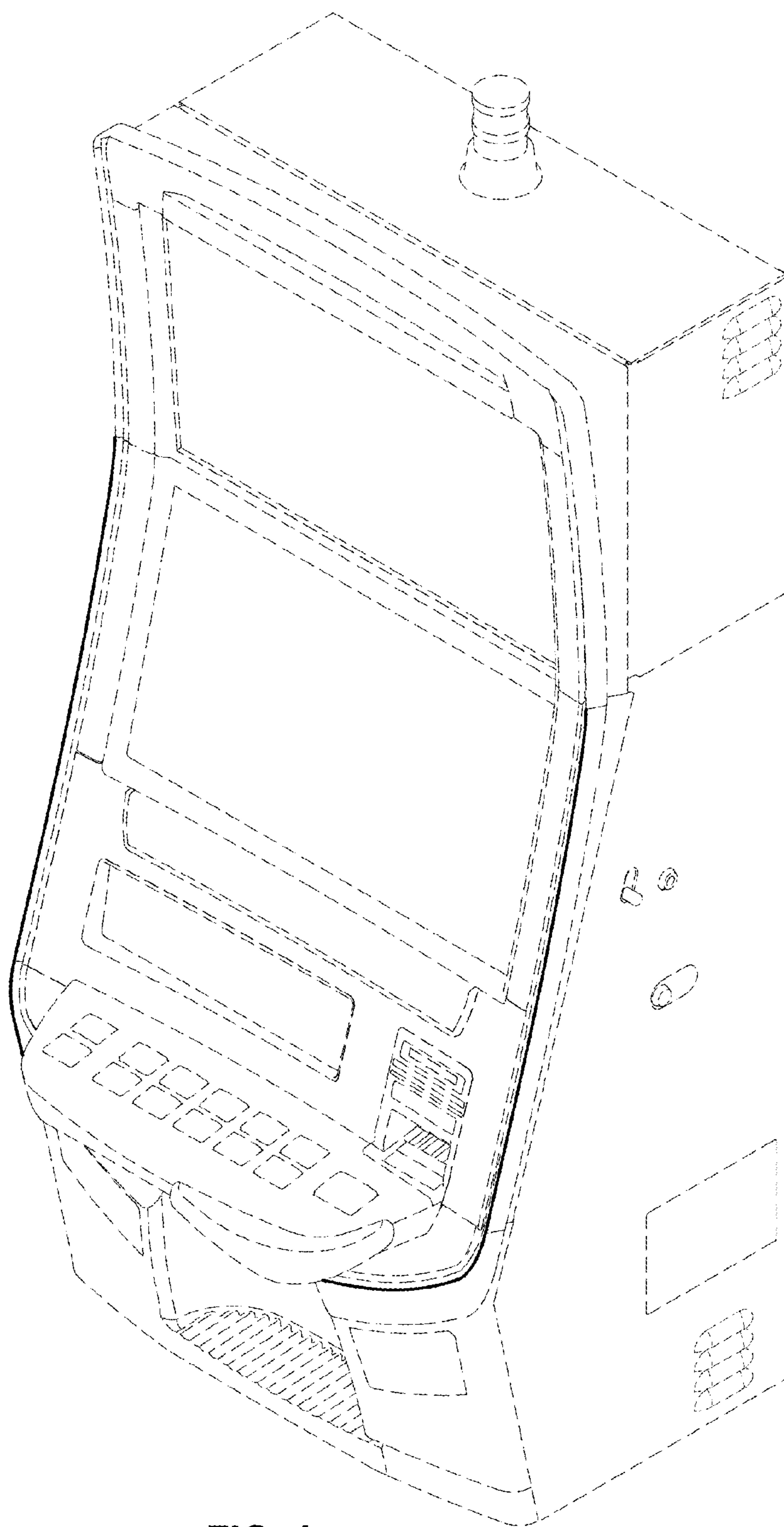


FIG. 1

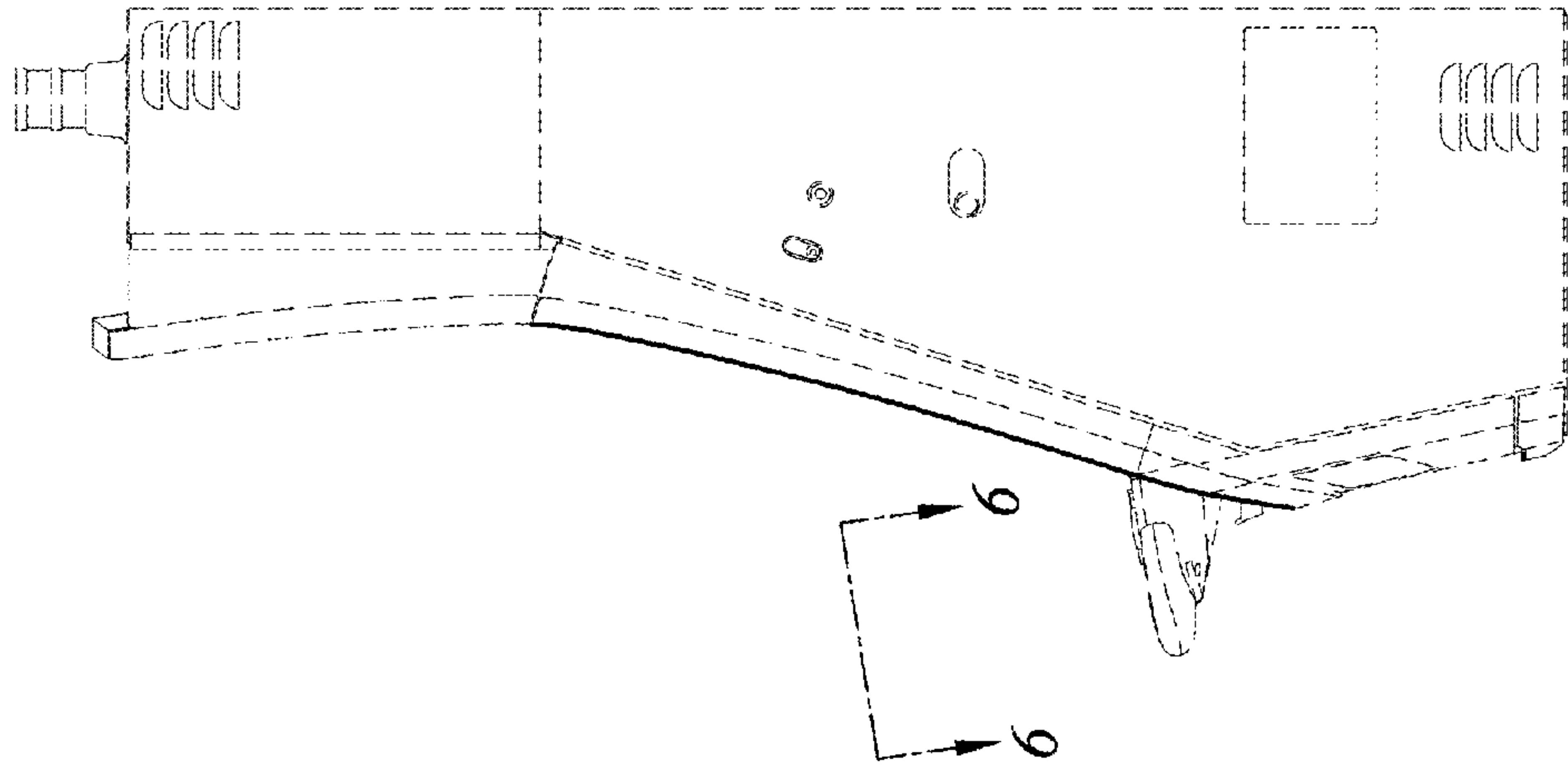


FIG. 4

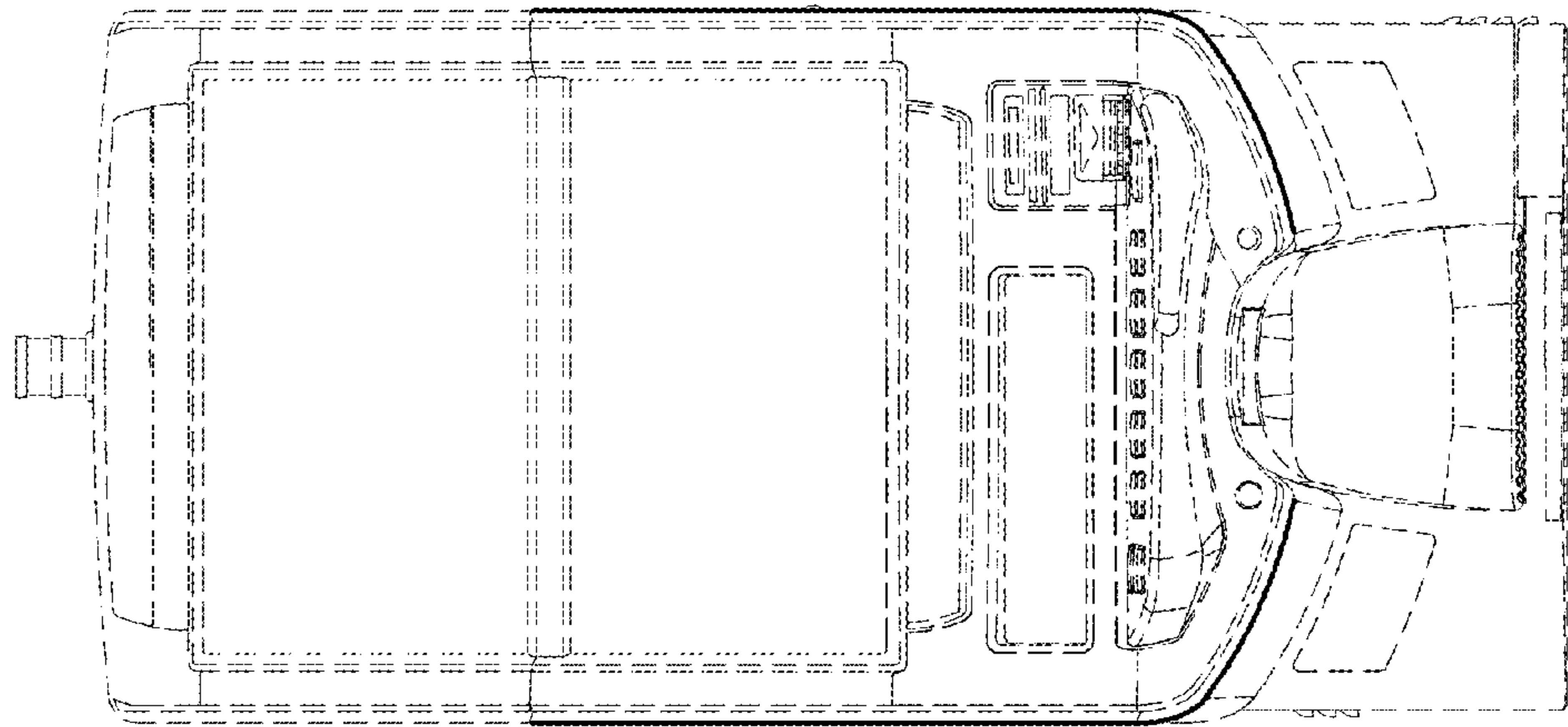


FIG. 3

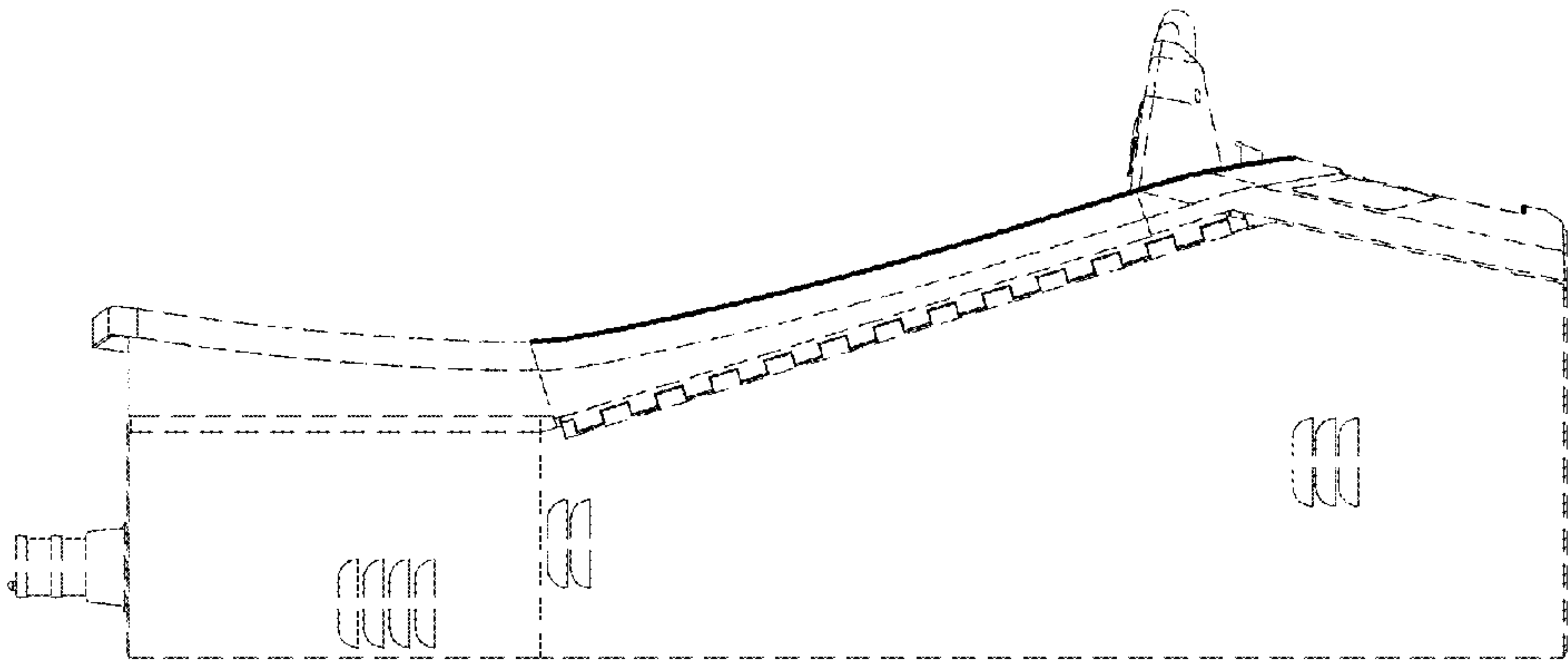


FIG. 2

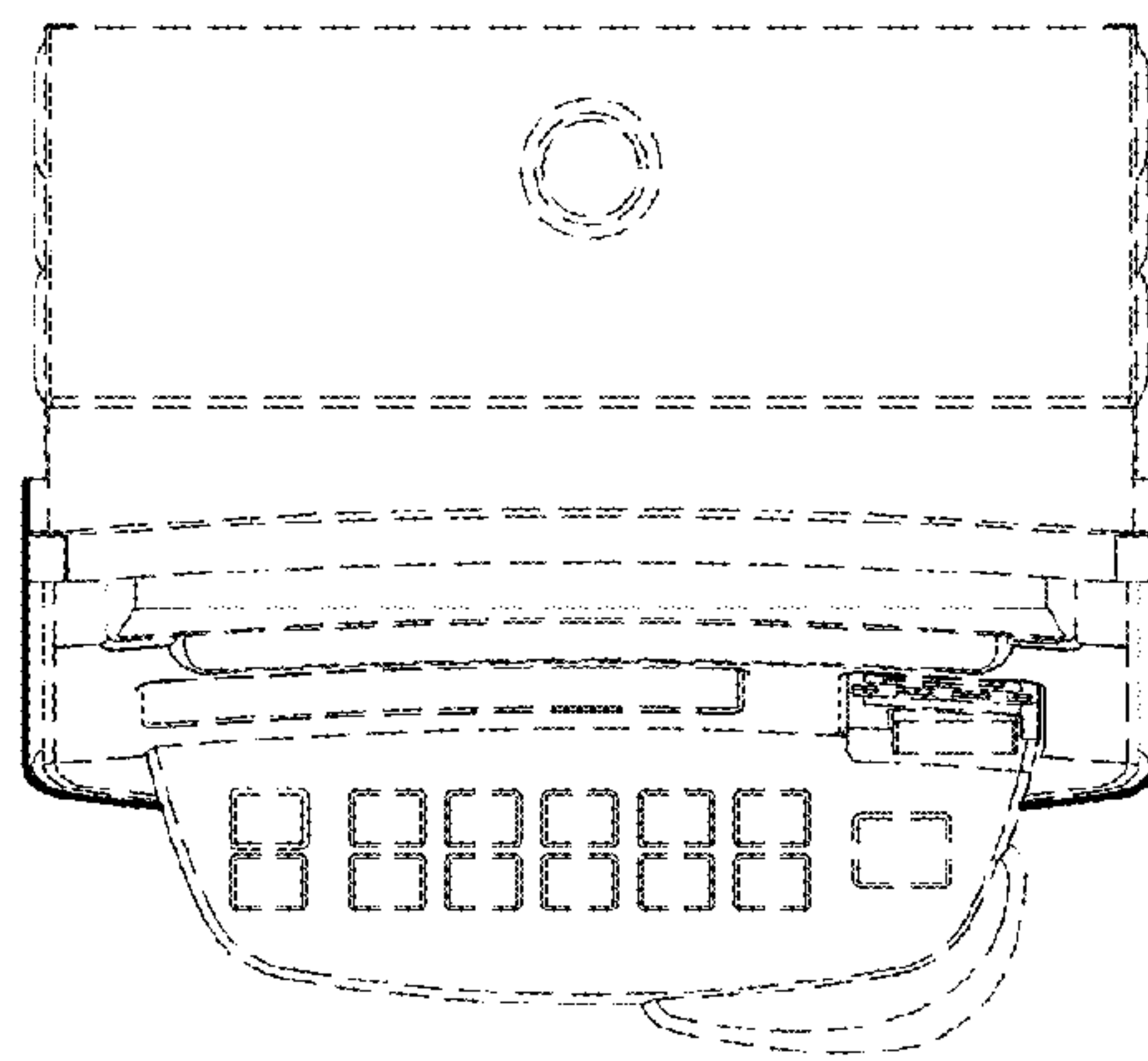


FIG. 5

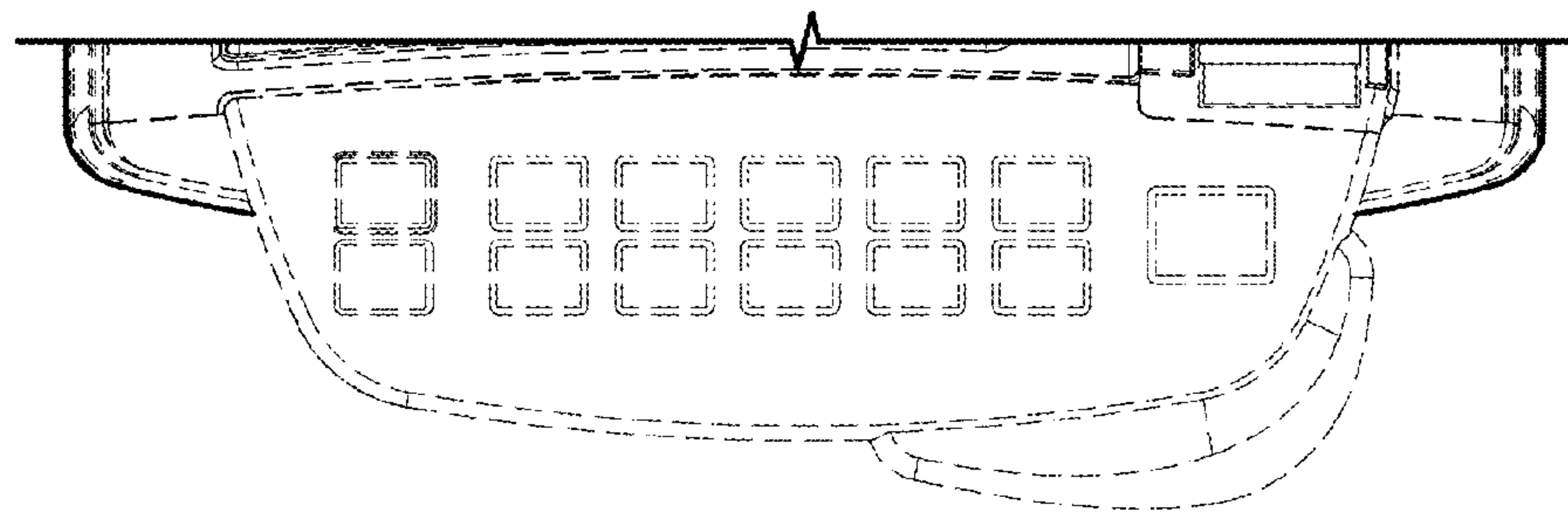


FIG. 6