



US00D691663S

(12) **United States Design Patent**  
**Ashida et al.**

(10) **Patent No.:** **US D691,663 S**

(45) **Date of Patent:** **\*\* Oct. 15, 2013**

(54) **UPPER HOUSING OF CONTROLLER FOR ELECTRONIC COMPUTER**

(56) **References Cited**

(71) Applicant: **Nintendo Co., Ltd.**, Kyoto (JP)

U.S. PATENT DOCUMENTS

(72) Inventors: **Kenichiro Ashida**, Kyoto (JP); **Masato Ibuki**, Kyoto (JP); **Shinji Yamamoto**, Kyoto (JP); **Fumiyoshi Suetake**, Kyoto (JP); **Akiko Suga**, Kyoto (JP); **Naoya Yamamoto**, Kyoto (JP); **Hitoshi Tsuchiya**, Kyoto (JP); **Junji Takamoto**, Kyoto (JP); **Daisuke Kumazaki**, Kyoto (JP); **Yositomo Gotou**, Kyoto (JP); **Takanori Okamura**, Kyoto (JP)

D280,746 S	9/1985	Yokoi	
4,969,647 A *	11/1990	Mical et al.	463/31
D318,884 S	8/1991	Kojo	
D320,624 S *	10/1991	Taylor	D21/331
D324,548 S	3/1992	Ashida	
D347,450 S	5/1994	Nagata et al.	
D383,798 S	9/1997	Yokoi et al.	
5,769,719 A *	6/1998	Hsu	463/37
D416,291 S	11/1999	Sugino	
6,042,478 A *	3/2000	Ng	463/44
D424,047 S	5/2000	Chan	
D452,280 S	12/2001	Ota et al.	
D453,536 S	2/2002	Ota et al.	
D453,932 S	2/2002	Han et al.	
D460,787 S	7/2002	Nishikawa	
6,641,796 B2	11/2003	Micco et al.	

(73) Assignee: **Nintendo Co., Ltd.**, Kyoto (JP)

(\*\*) Term: **14 Years**

(Continued)

(21) Appl. No.: **29/448,050**

*Primary Examiner* — Prabhakar Deshmukh

(22) Filed: **Mar. 8, 2013**

(74) *Attorney, Agent, or Firm* — Nixon & Vanderhye, P.C.

**Related U.S. Application Data**

(63) Continuation of application No. 29/407,809, filed on Dec. 2, 2011, now Pat. No. Des. 681,128.

(57) **CLAIM**

The ornamental design for an upper housing of controller for electronic computer, as shown and described.

(30) **Foreign Application Priority Data**

Jun. 3, 2011 (JP) ..... 2011-012715  
Nov. 28, 2011 (JP) ..... 2011-027530

**DESCRIPTION**

(51) **LOC (9) Cl.** ..... **21-01**

(52) **U.S. Cl.**  
USPC ..... **D21/332**

(58) **Field of Classification Search**  
USPC ..... D21/324, 329, 330, 333; D14/496, 125;  
273/148 B; 463/1, 2, 29-36, 45, 47;  
345/156, 173, 867, 903; 361/679, 681,  
361/672, 500  
See application file for complete search history.

FIG. 1 is front, right and bottom perspective view of an upper housing of controller for electronic computer showing an embodiment of our new design;

FIG. 2 is rear, left and top perspective view thereof;

FIG. 3 is a front view thereof;

FIG. 4 is a rear view thereof;

FIG. 5 is a top plan view thereof;

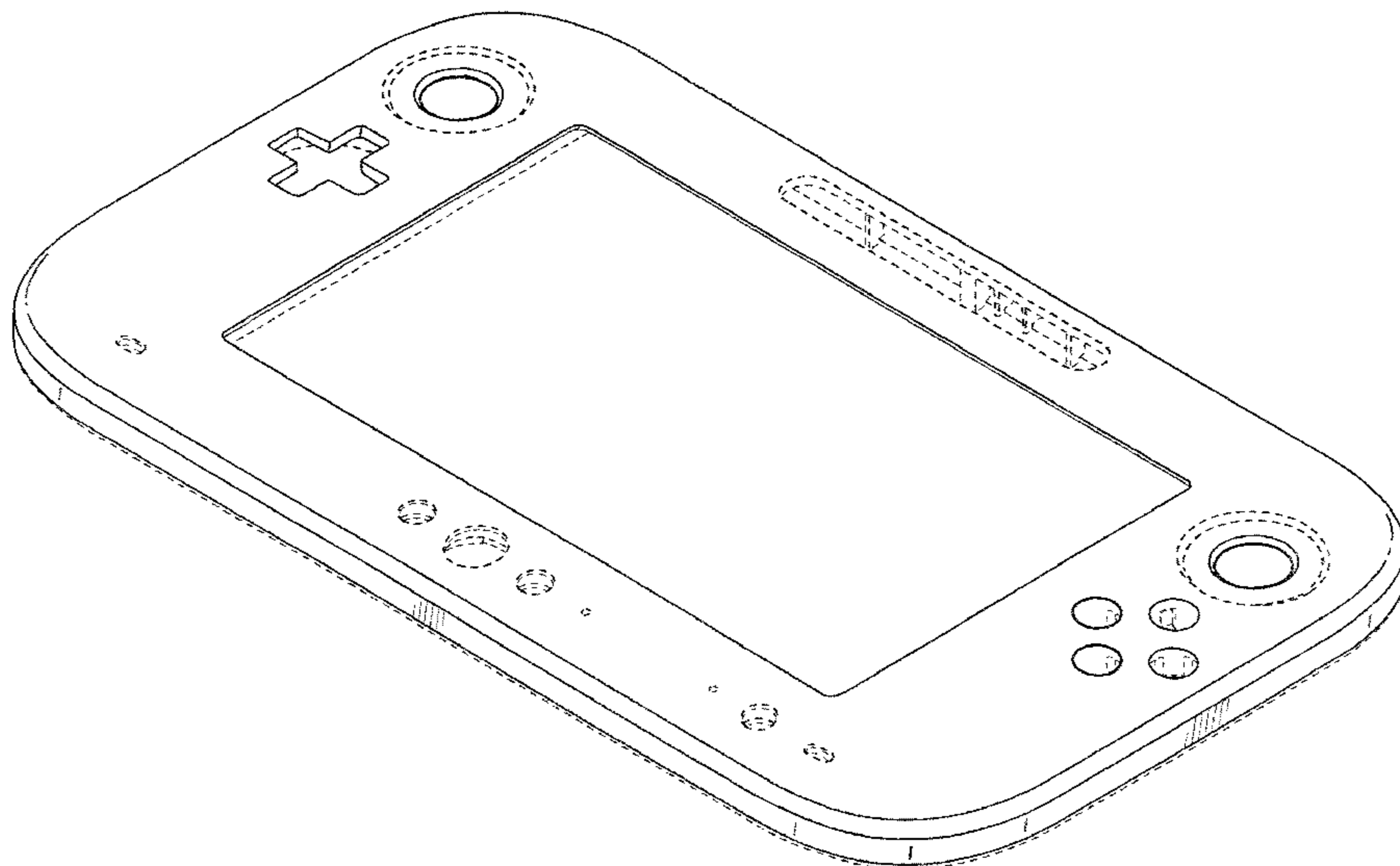
FIG. 6 is a bottom plan view thereof;

FIG. 7 is a left side view thereof; and,

FIG. 8 is a right side view thereof.

The subject matter shown in dashed lines is for reference purposes only, and forms no part of the claimed invention.

**1 Claim, 6 Drawing Sheets**



(56)

**References Cited**

U.S. PATENT DOCUMENTS

D484,918 S 1/2004 Okada et al.  
6,743,100 B1 6/2004 Neiser  
D522,011 S 5/2006 Hayes et al.  
D524,870 S 7/2006 Sugino et al.  
D532,051 S 11/2006 Sugino et al.  
7,193,165 B2\* 3/2007 Kawanobe et al. .... 200/5 R  
D542,855 S\* 5/2007 Lim ..... D21/333  
D554,194 S 10/2007 Ehara et al.

D556,759 S 12/2007 Kawanobe et al.  
D568,884 S 5/2008 Kawanobe et al.  
D607,946 S 1/2010 Ehara et al.  
D608,784 S 1/2010 Biheller  
D620,939 S 8/2010 Suetake et al.  
D632,341 S\* 2/2011 Lim et al. .... D21/333  
D641,049 S\* 7/2011 Ehara et al. .... D21/330  
D643,476 S\* 8/2011 Ehara et al. .... D21/333  
D650,447 S 12/2011 Ehara et al.  
8,105,169 B2\* 1/2012 Ogasawara et al. .... 463/46

\* cited by examiner

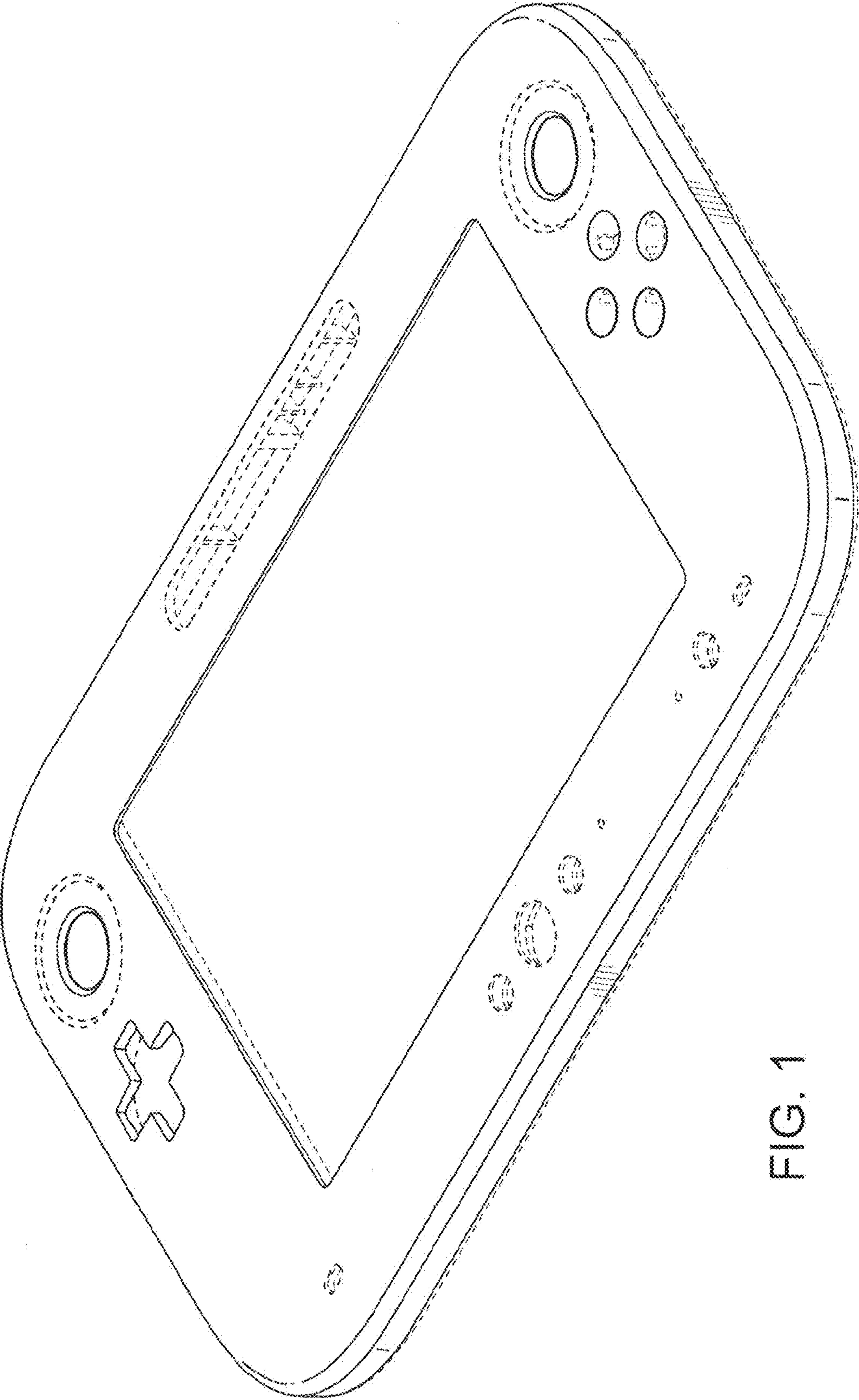


FIG. 1

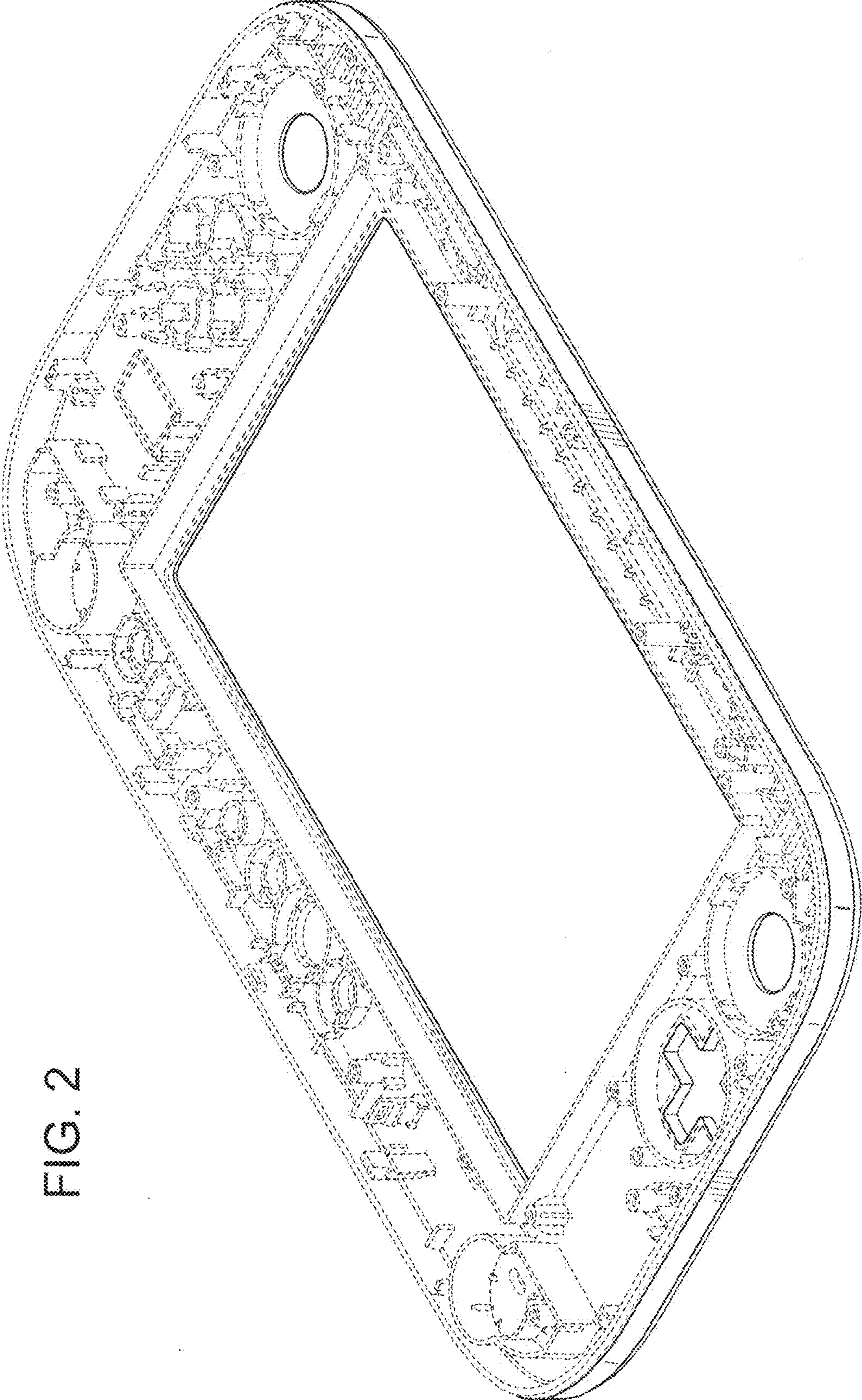


FIG. 2

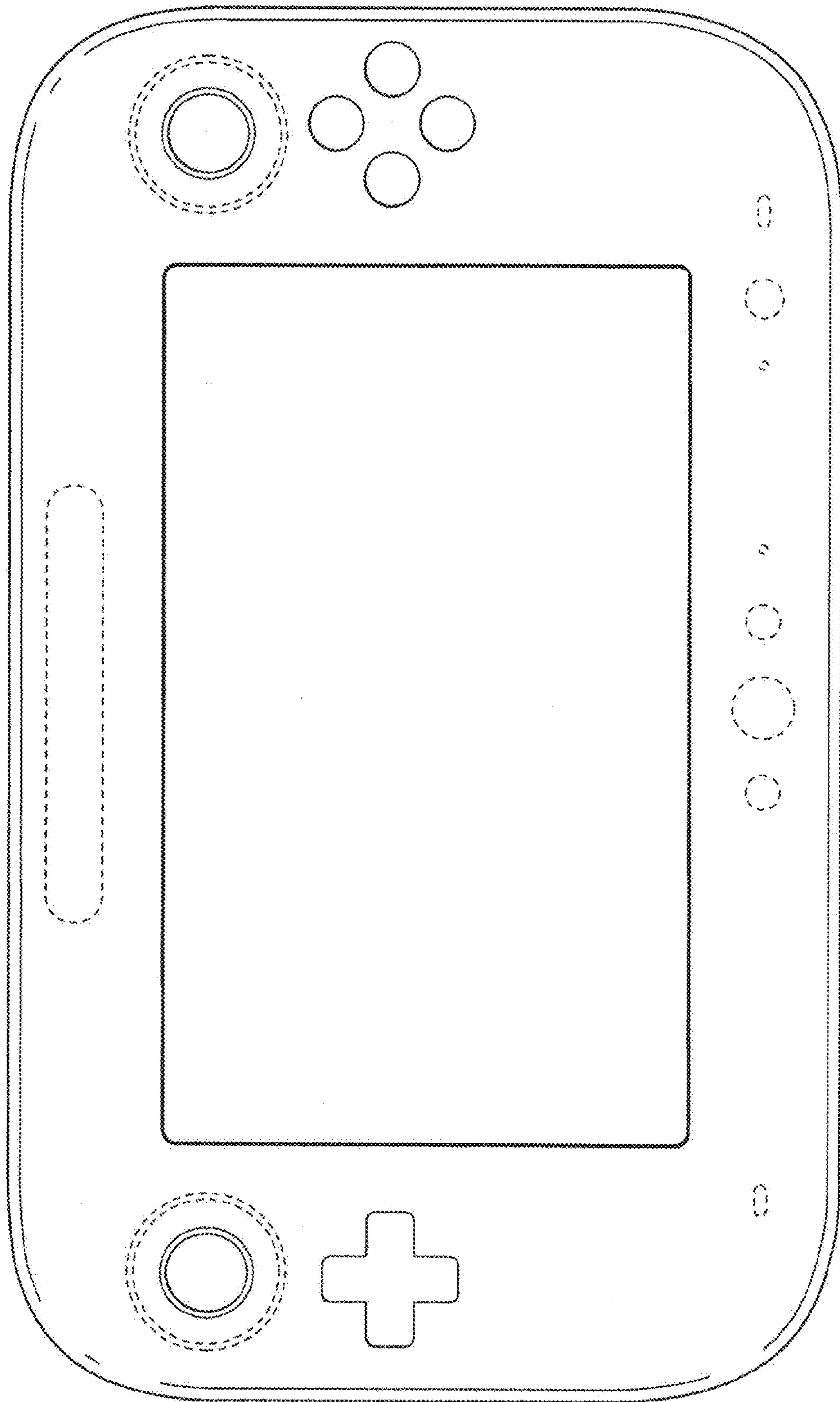


FIG. 3

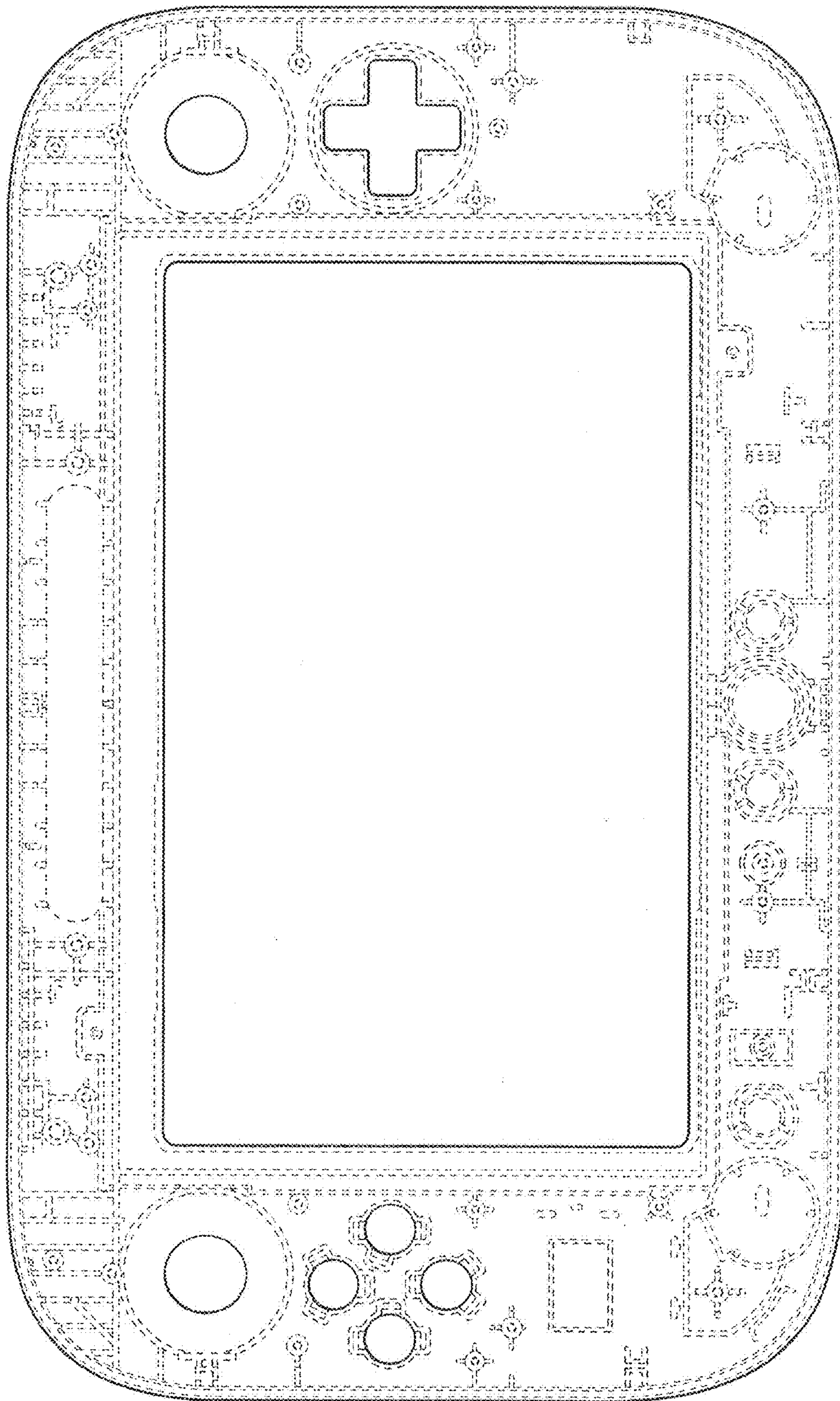


FIG. 4

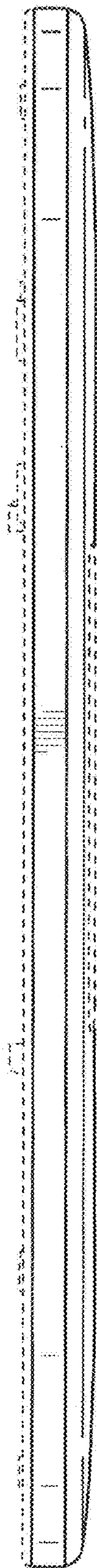


FIG. 5

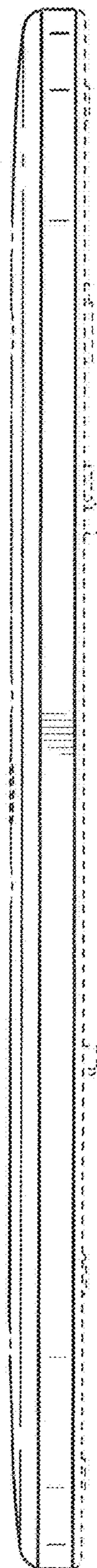


FIG. 6

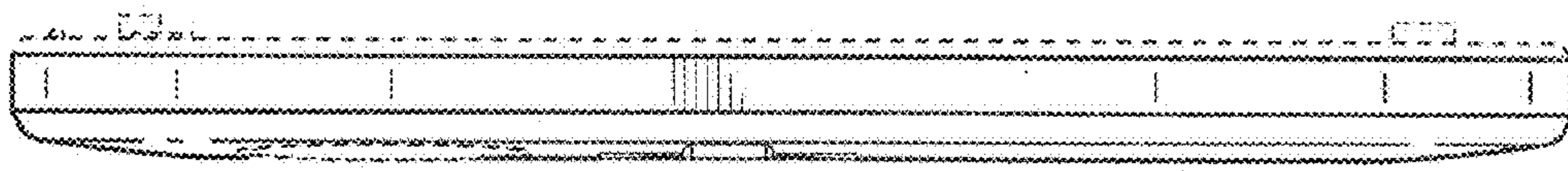


FIG. 8

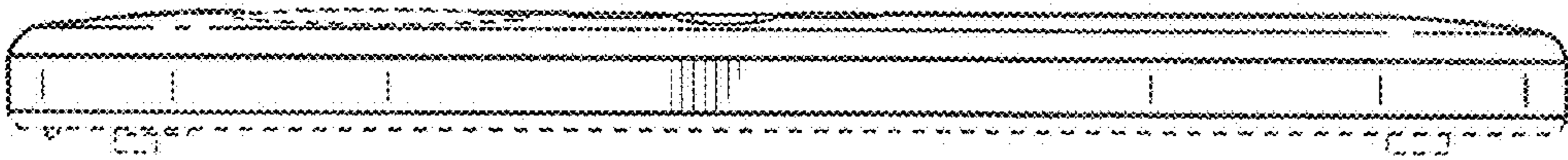


FIG. 7