

US00D691660S

(12) **United States Design Patent**
Shea

(10) **Patent No.:** **US D691,660 S**

(45) **Date of Patent:** **** Oct. 15, 2013**

(54) **TARGET FOR A THROWING GAME**

(75) Inventor: **Thomas M. Shea**, Troy, MI (US)

(73) Assignee: **T.M. Shea Products, Inc.**, Troy, MI (US)

(**) Term: **14 Years**

(21) Appl. No.: **29/425,157**

(22) Filed: **Jun. 20, 2012**

(51) **LOC (9) Cl.** **21-01**

(52) **U.S. Cl.**
USPC **D21/303**

(58) **Field of Classification Search**
USPC D21/330-304, 385, 386; 273/348,
273/398, 400-402, 407, 338, 317, 126 R,
273/127 R, 259, 277; 473/506, 516
See application file for complete search history.

(56) **References Cited**

U.S. PATENT DOCUMENTS

3,674,270	A *	7/1972	Benjamin et al.	273/400
5,052,693	A *	10/1991	Hicks	273/336
5,110,139	A *	5/1992	Baumgartner	273/400
5,123,656	A *	6/1992	Green	273/400

D329,666	S *	9/1992	Dougherty	D21/303
5,209,493	A *	5/1993	Chernek	273/400
D341,381	S *	11/1993	Niebling	D21/303
D375,529	S *	11/1996	Kohler	D21/303
D392,333	S *	3/1998	Griggle	D21/303
D434,453	S *	11/2000	Kenyon	D21/308
D498,503	S *	11/2004	Worth	D21/303

* cited by examiner

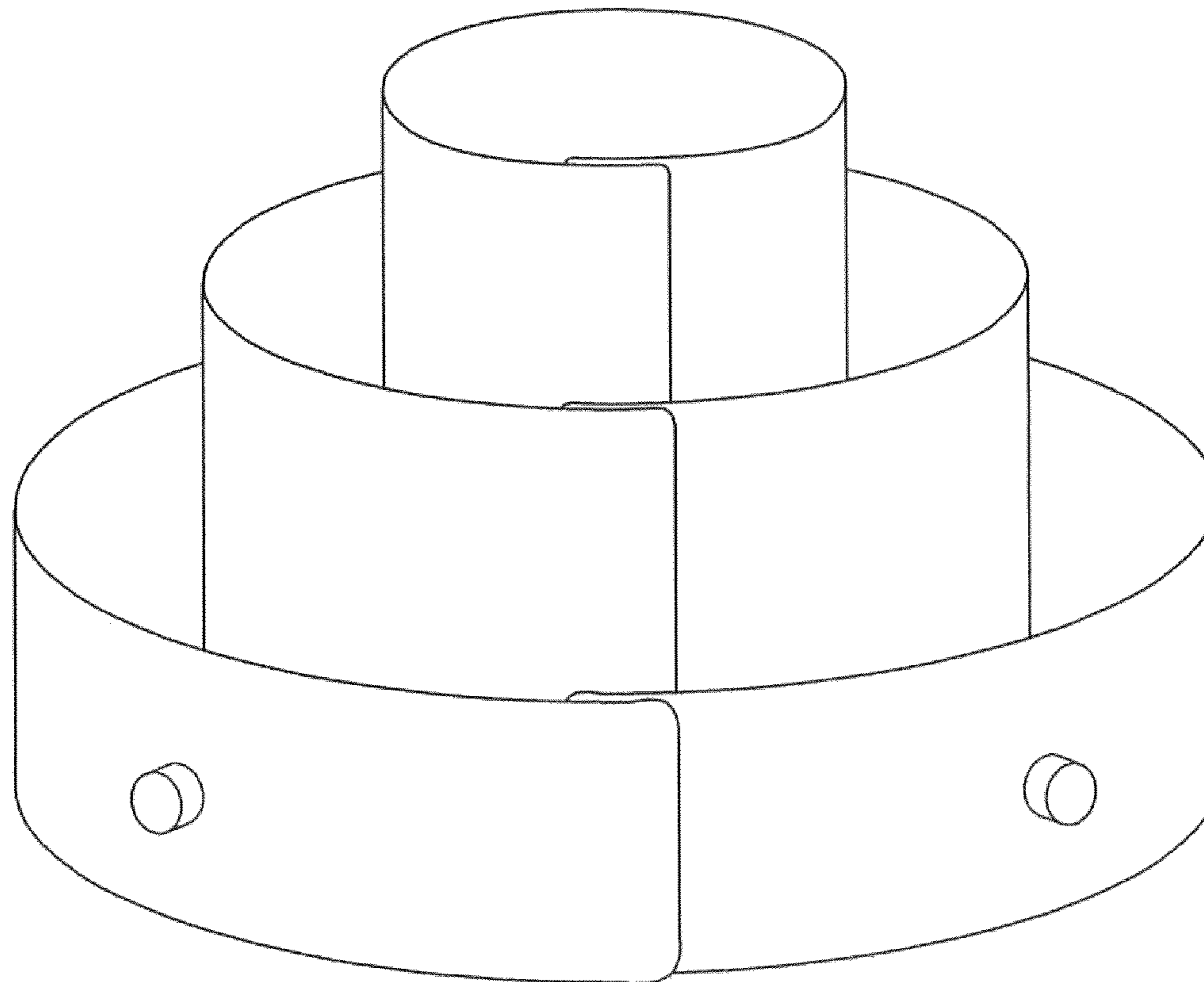
Primary Examiner — Prabhakar Deshmukh
(74) *Attorney, Agent, or Firm* — Harness, Dickey & Pierce, P.L.C.

(57) **CLAIM**
The ornamental design for a target for a throwing game, as shown and described.

DESCRIPTION

FIG. 1 is a perspective view of a target for a throwing game showing my design;
FIG. 2 is a front view thereof;
FIG. 3 is a rear view thereof;
FIG. 4 is a right side view thereof;
FIG. 5 is a left side view thereof;
FIG. 6 is a top view thereof; and,
FIG. 7 is a bottom view thereof.

1 Claim, 4 Drawing Sheets



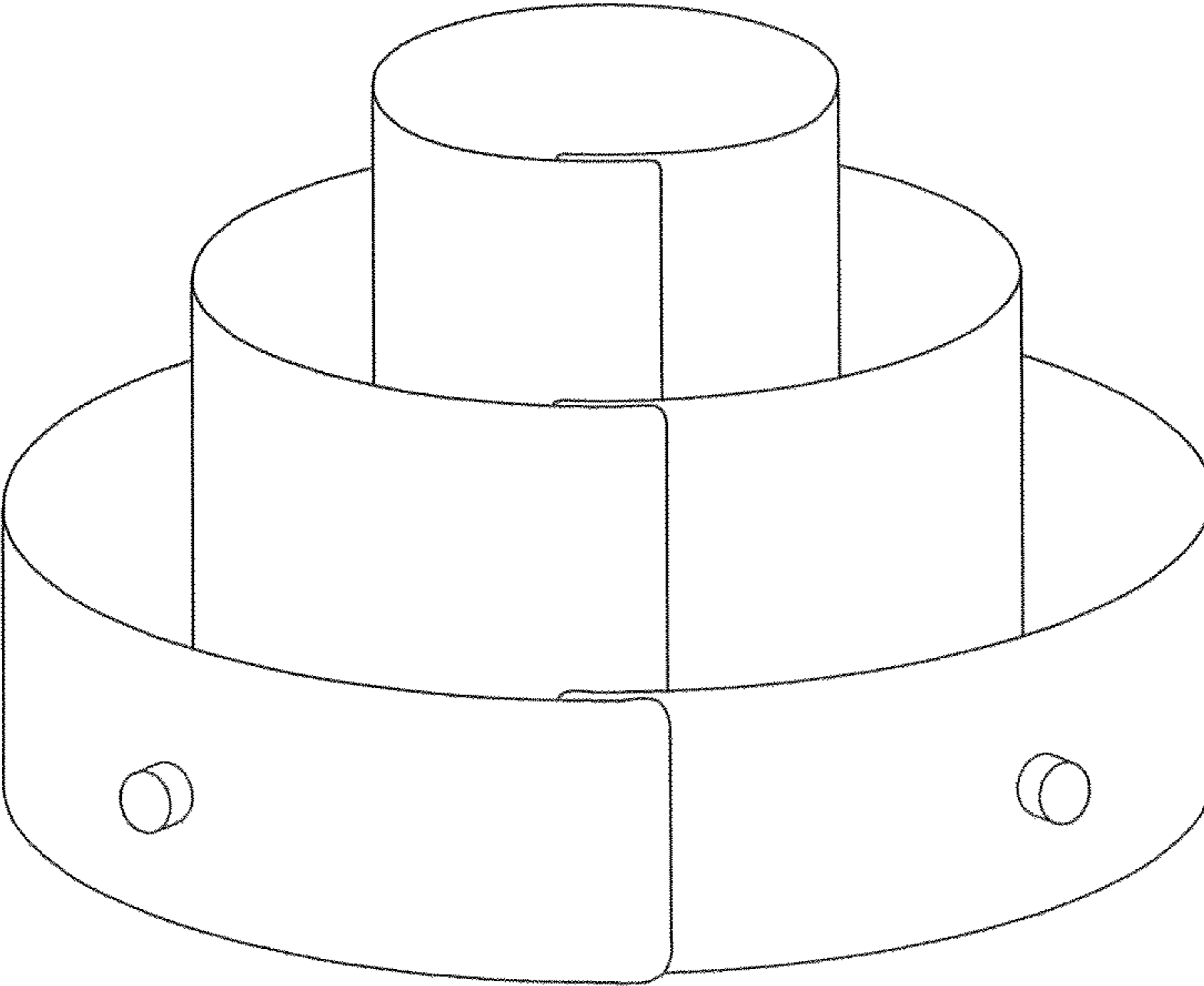


Figure 1

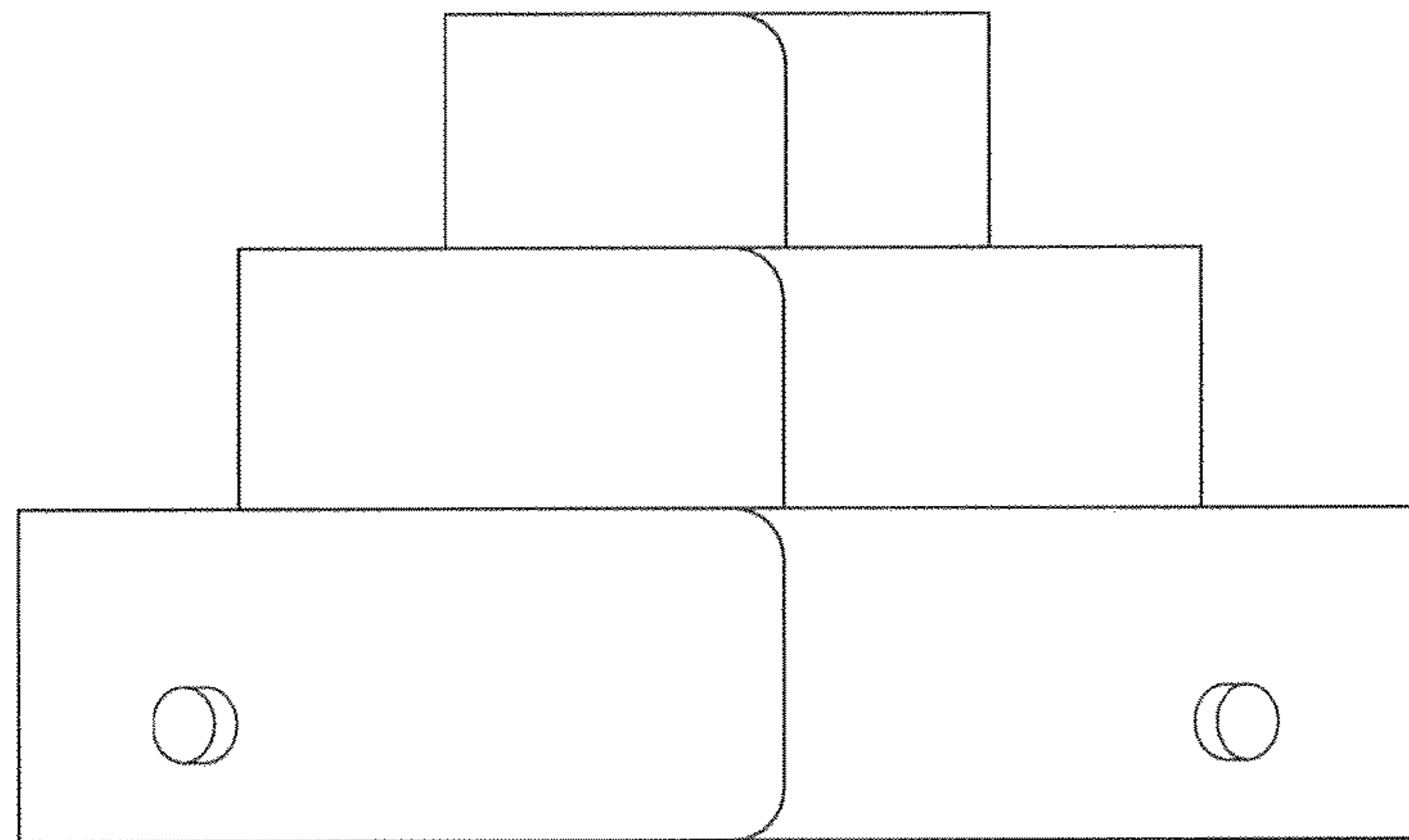


Figure 2

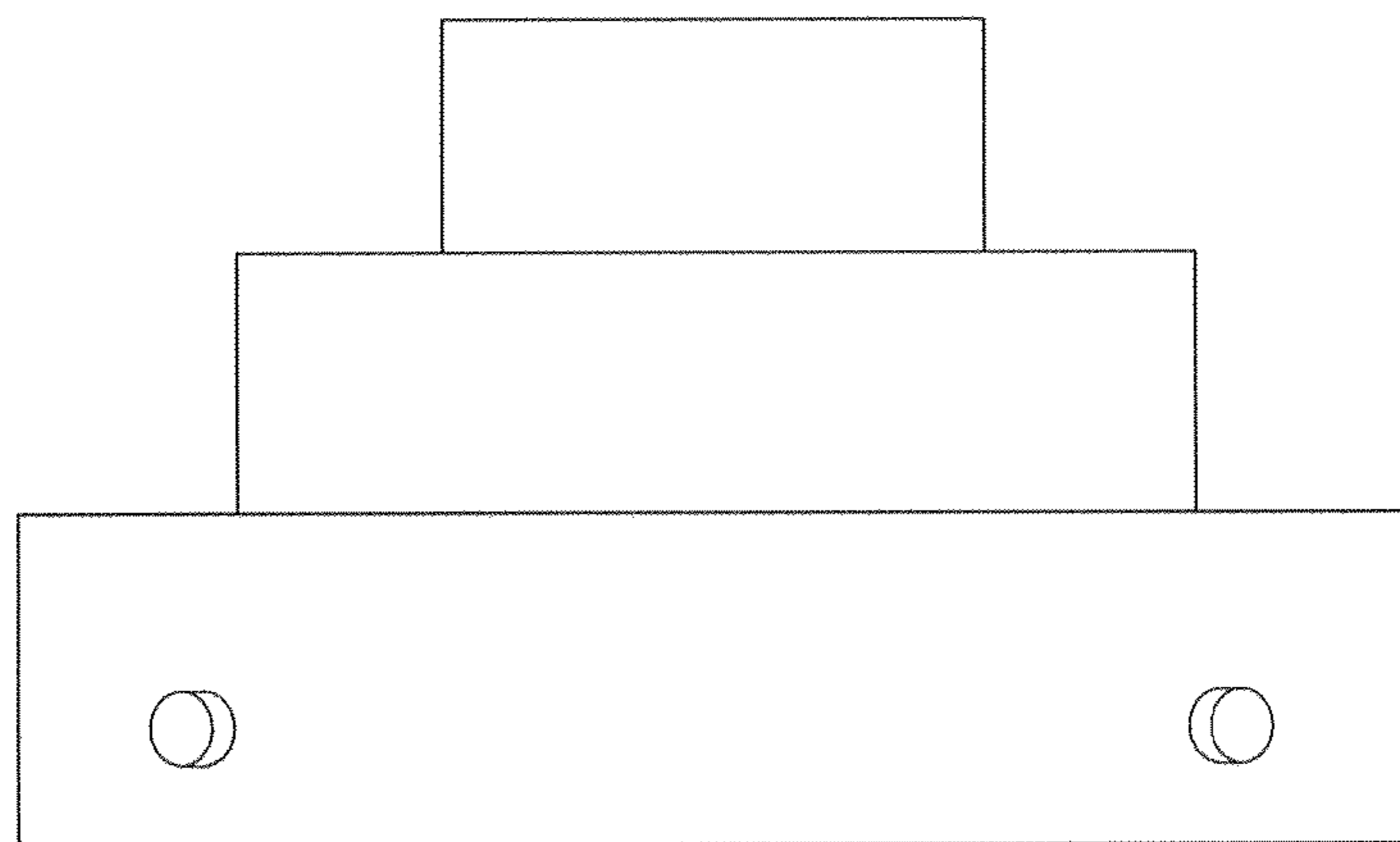


Figure 3

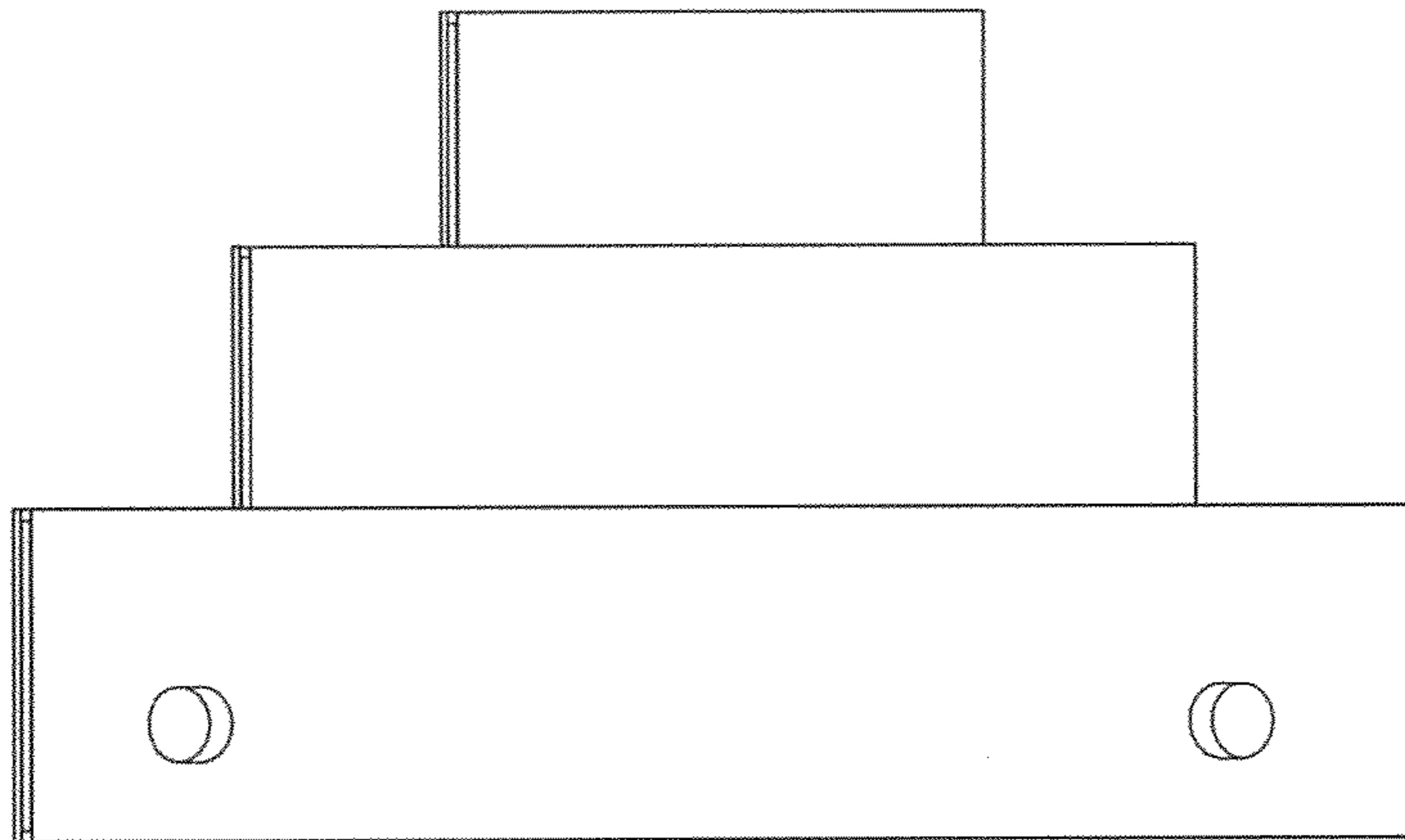


Figure 4

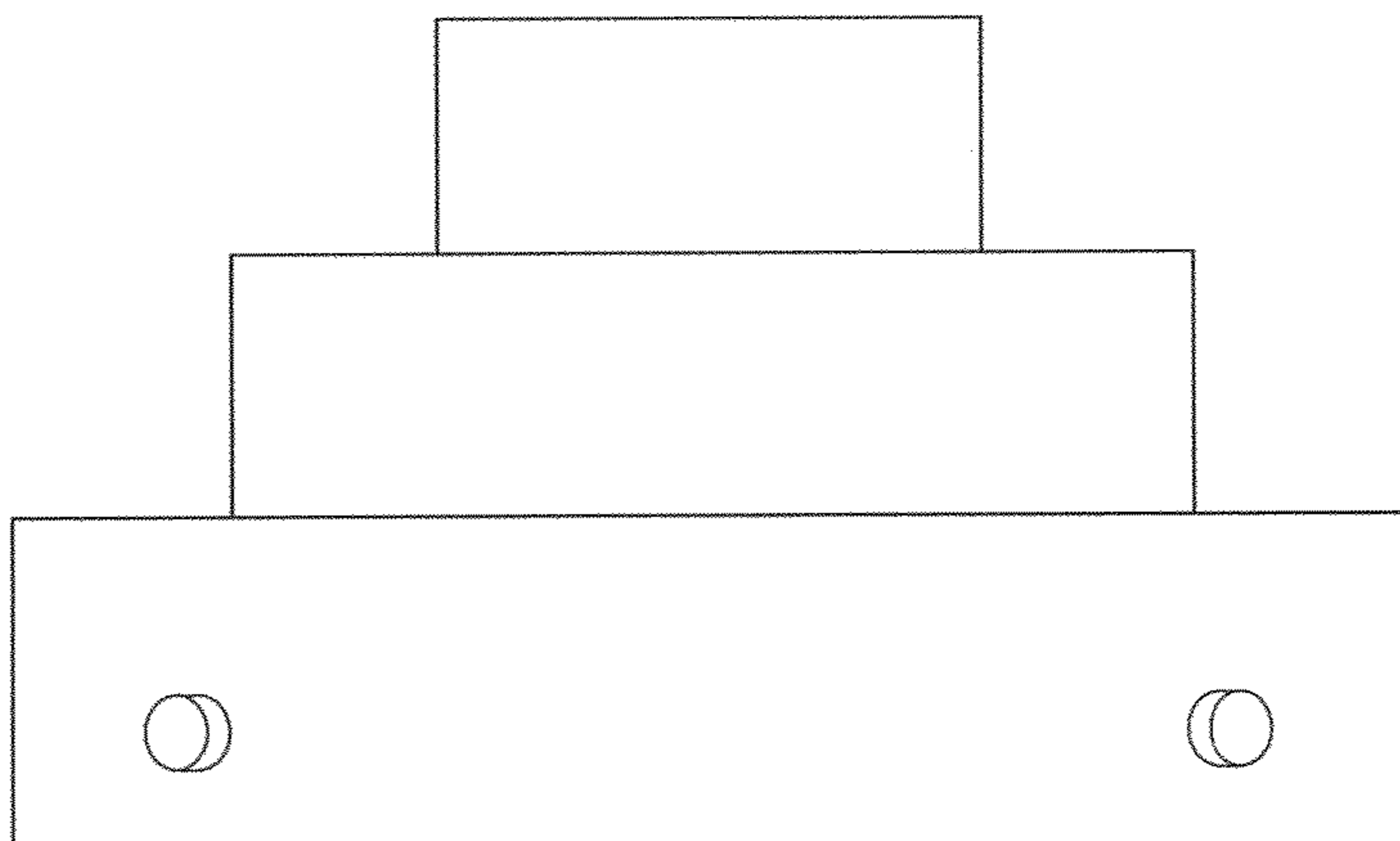


Figure 5

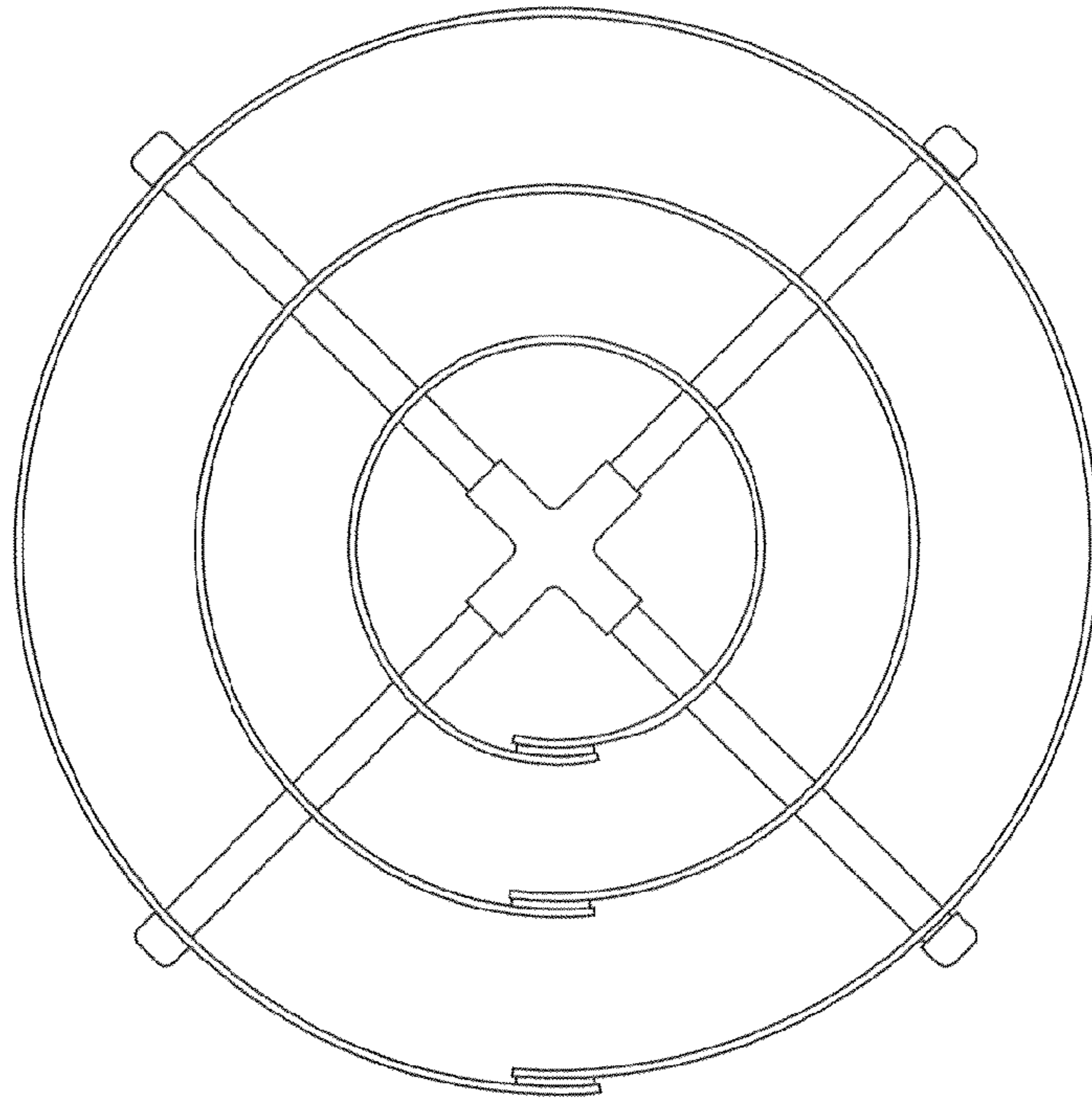


Figure 6

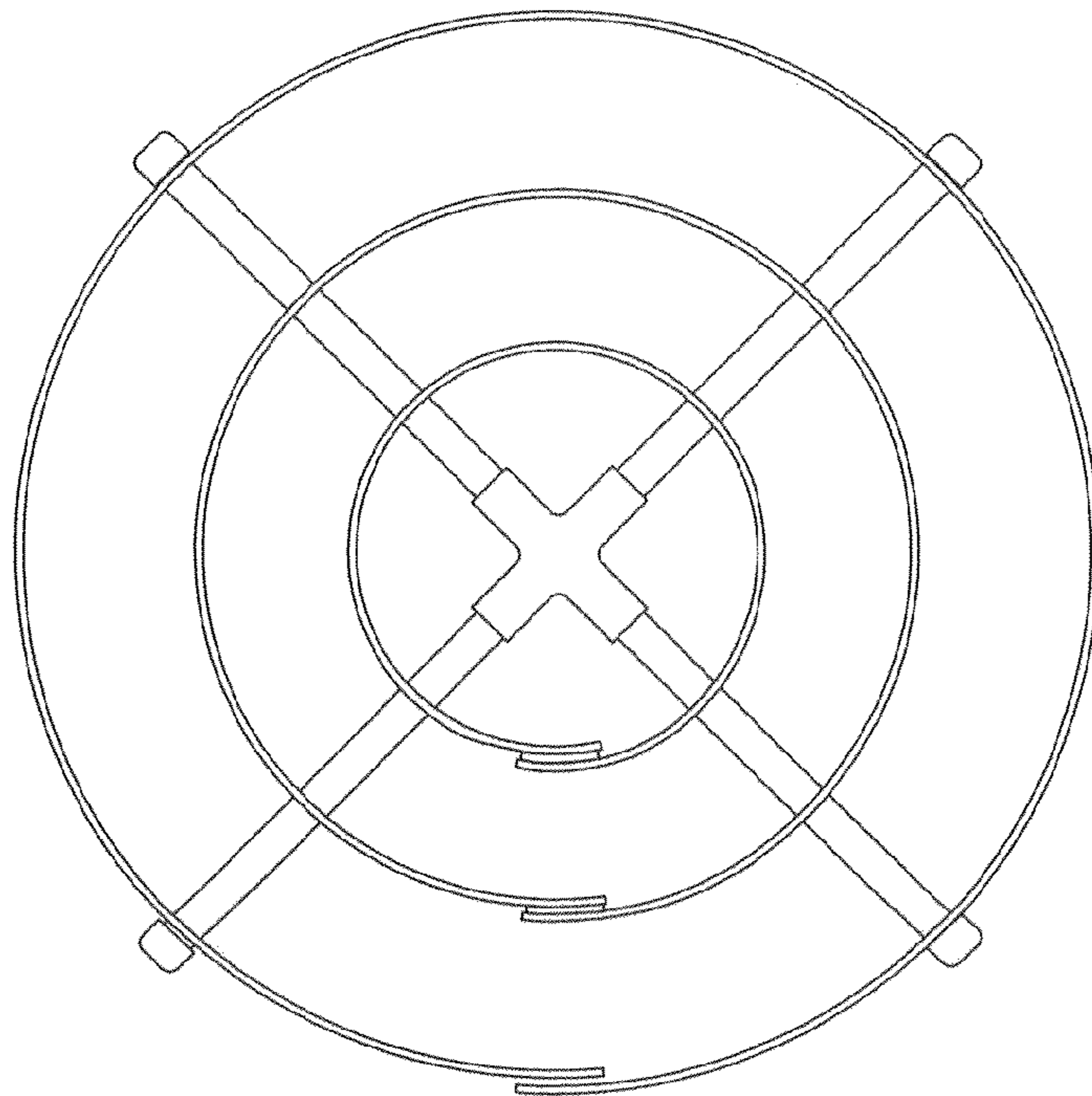


Figure 7