

US00D691659S

(12) **United States Design Patent**
Hu

(10) **Patent No.:** **US D691,659 S**
(45) **Date of Patent:** **** Oct. 15, 2013**

(54) **FILE SORTER**

(71) Applicant: **Yajun Hu**, El Dorado Hills, CA (US)

(72) Inventor: **Yajun Hu**, El Dorado Hills, CA (US)

(73) Assignee: **Designa Group Inc.**, El Dorado Hills, CA (US)

(**) Term: **14 Years**

(21) Appl. No.: **29/433,926**

(22) Filed: **Oct. 5, 2012**

(51) **LOC (9) Cl.** **19-02**

(52) **U.S. Cl.**
USPC **D19/90**

(58) **Field of Classification Search**
USPC D3/304, 306, 313, 314, 315; D6/675.2, D6/683, 683.1, 705.6; D7/553.2, 553.3, D7/553.6, 553.7, 554.2, 554.3, 637; D19/75, 77-92; 206/214, 425, 449, 206/558, 371; 211/10, 11, 45, 50, 55, 211/69.1-69.9, 126.1; 220/485, 607

See application file for complete search history.

4,593,822 A * 6/1986 Yeaney et al. 211/41.8
D284,482 S 7/1986 Sun
D299,657 S 1/1989 Hwang
D304,462 S 11/1989 Evans
D323,854 S 2/1992 Evenson
5,140,724 A 8/1992 Crisanti
D330,047 S 10/1992 Evenson
D334,307 S * 3/1993 Lee D6/462
D336,927 S 6/1993 Samuels et al.
D364,074 S * 11/1995 Yeh D7/637
6,116,436 A * 9/2000 Ferrucci et al. 211/187
D520,002 S 5/2006 Mello
D538,106 S * 3/2007 Julian D7/409
D550,284 S 9/2007 Goodman et al.
D554,187 S 10/2007 Bonaventura
D555,203 S * 11/2007 Goodman et al. D19/90
D585,094 S * 1/2009 Smith D19/90
D604,769 S 11/2009 Chen et al.
7,921,998 B2 4/2011 Schenker
D658,939 S * 5/2012 Adams et al. D7/402
D665,846 S 8/2012 Chuang
2009/0065452 A1 * 3/2009 Smith 211/11
2011/0062093 A1 * 3/2011 McGhee 211/50

* cited by examiner

Primary Examiner — Elizabeth Albert

(57) **CLAIM**
The ornamental design for a file sorter, as shown and described.

(56) **References Cited**

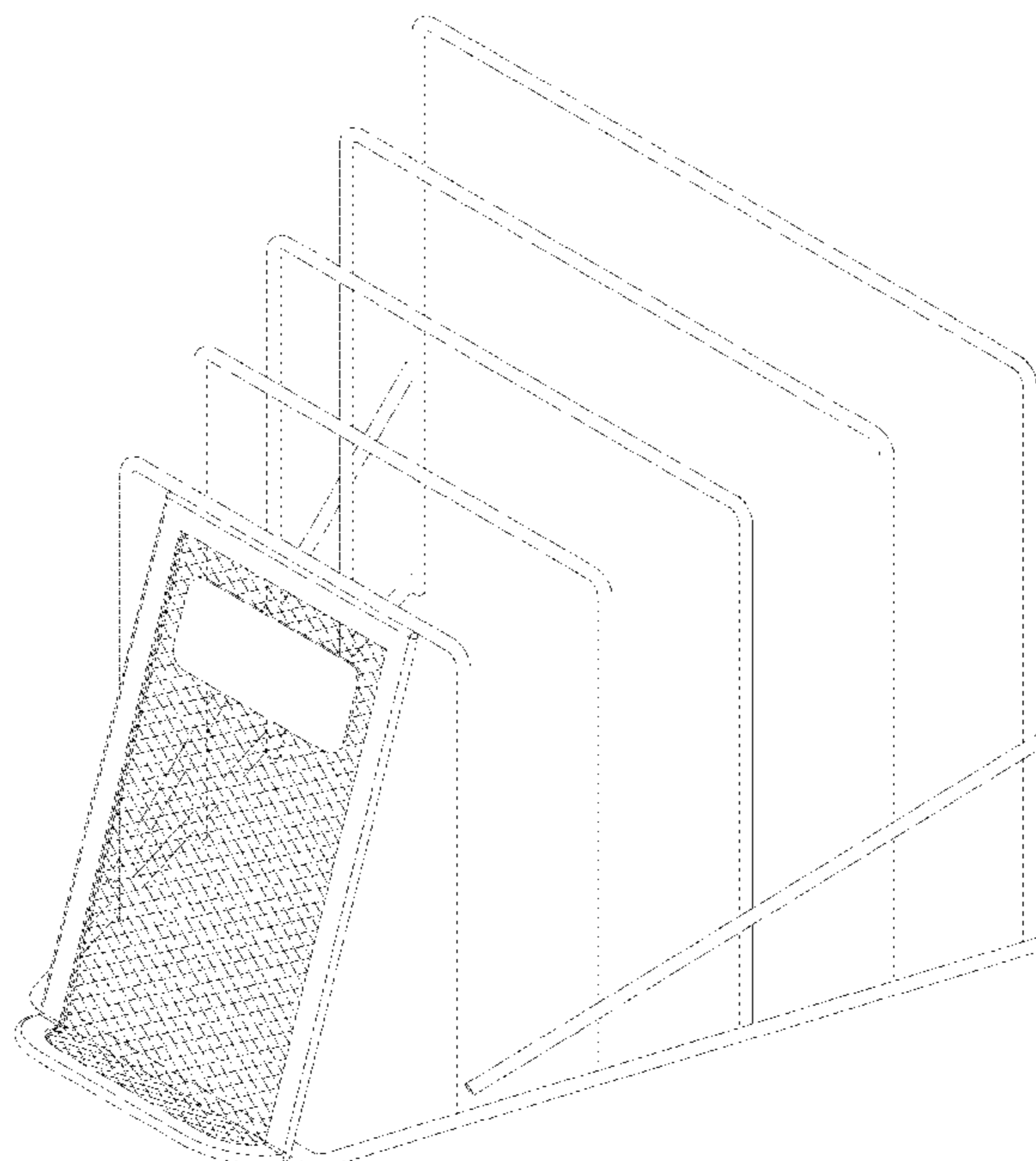
U.S. PATENT DOCUMENTS

289,825 A * 12/1883 Fulton 211/50
451,729 A * 5/1891 Dom 211/11
1,456,446 A * 5/1923 Hotaling 211/50
2,956,685 A * 10/1960 Levi 211/40
3,144,942 A * 8/1964 Peebles 211/11
3,176,849 A * 4/1965 Peebles 211/50
D205,644 S * 8/1966 Macowski D19/90
D221,703 S * 8/1971 Fleming D19/90
4,006,827 A 2/1977 Riches
4,087,926 A * 5/1978 Breslau et al. 34/70
4,410,093 A * 10/1983 Chiariello et al. 211/11

DESCRIPTION

FIG. 1 is a perspective view of file sorter showing my design.
FIG. 2 is a front view thereof;
FIG. 3 is a bottom view thereof;
FIG. 4 is a top view thereof;
FIG. 5 is a rear side view thereof;
FIG. 6 is a left side view thereof; and,
FIG. 7 is a right side view thereof.

1 Claim, 7 Drawing Sheets



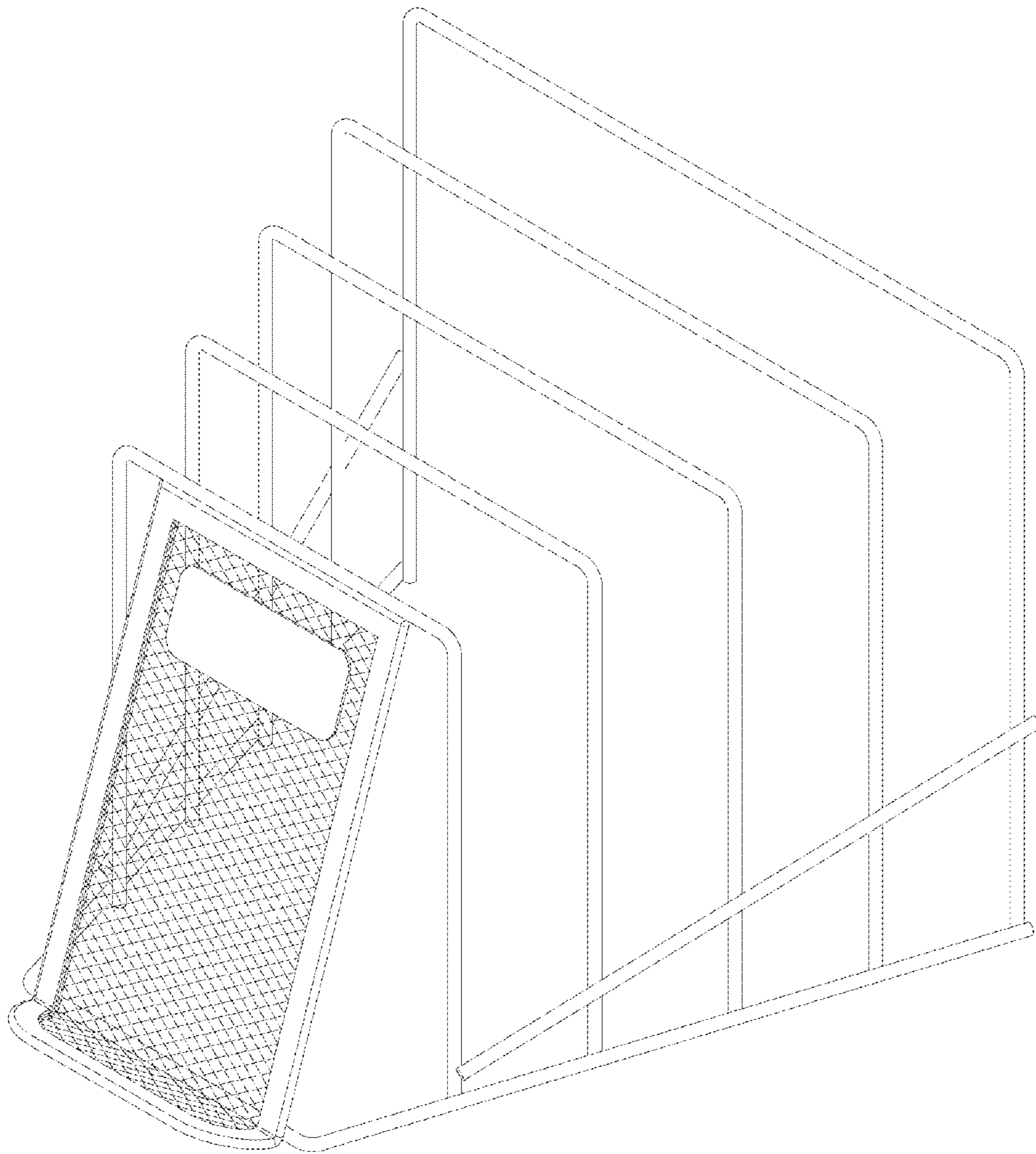


FIG.1

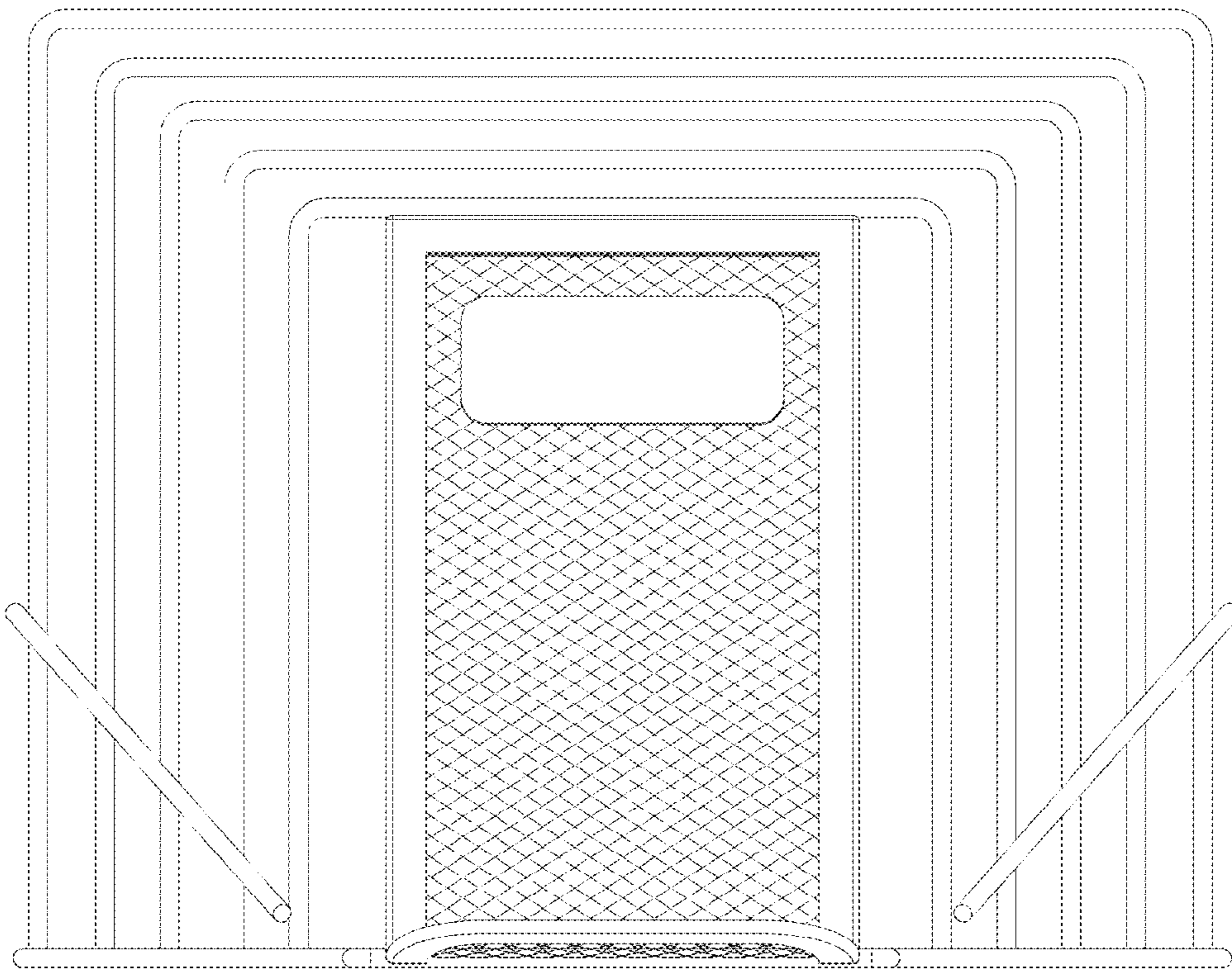


FIG. 2

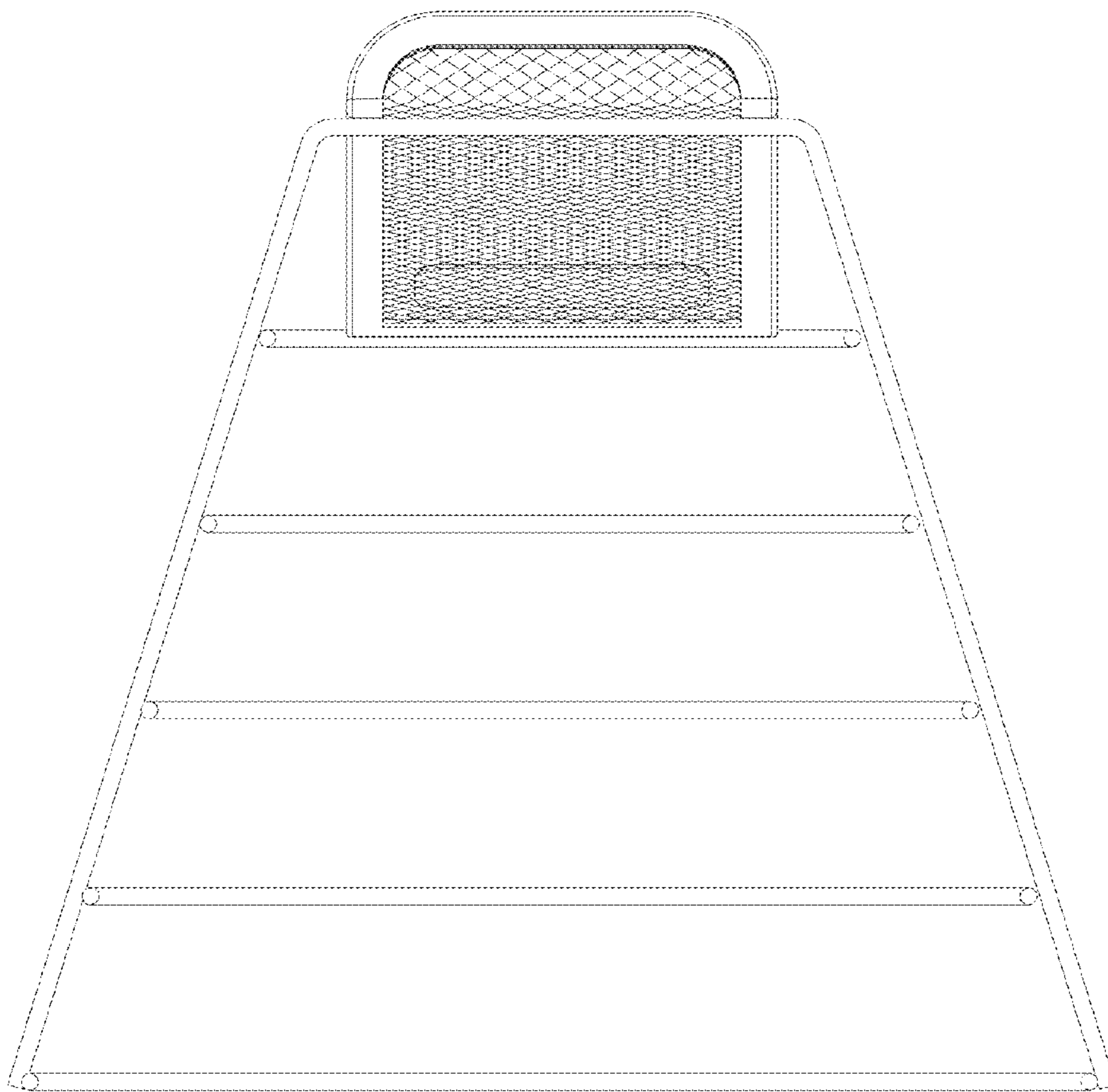


FIG.3

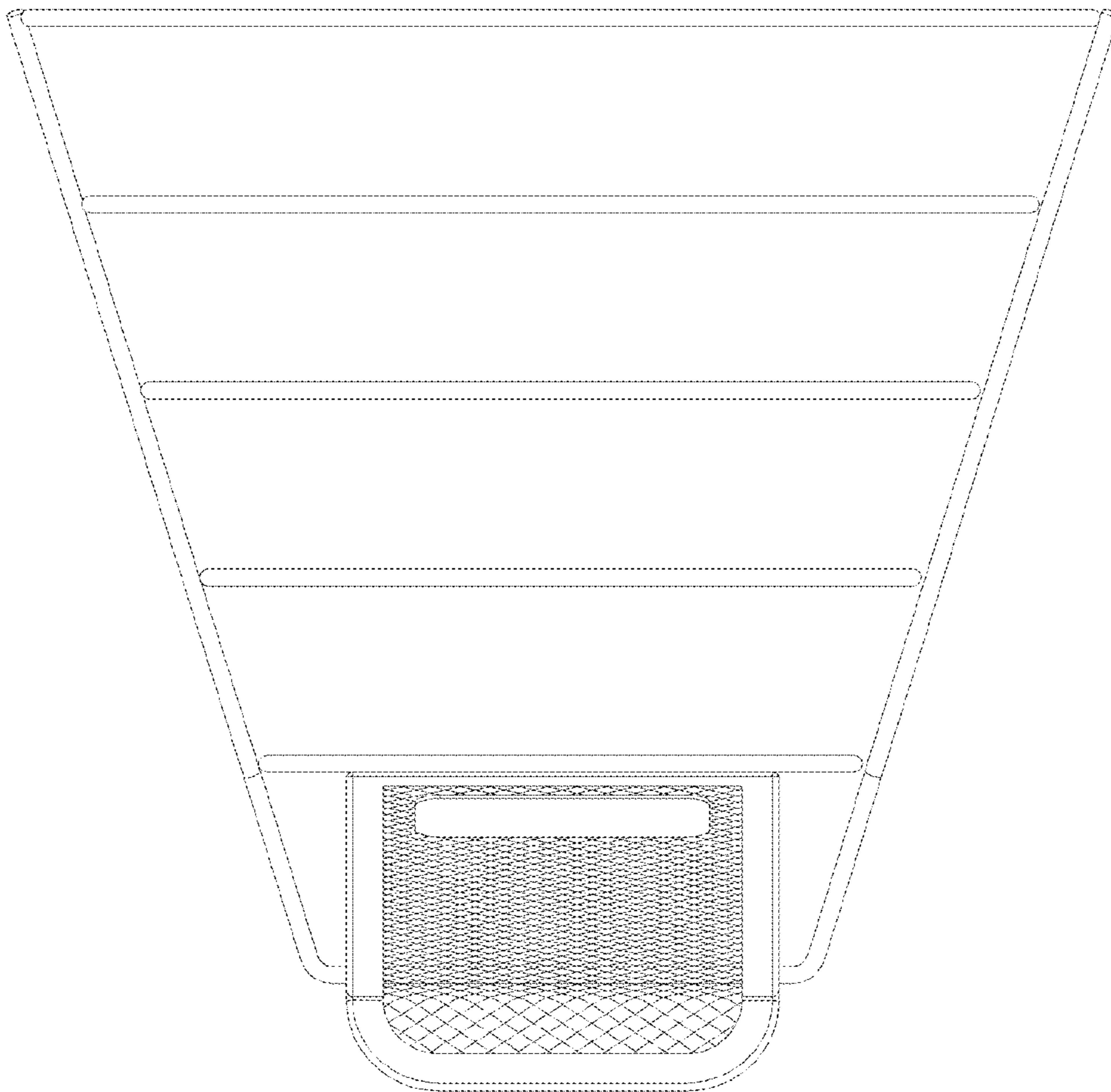


FIG.4

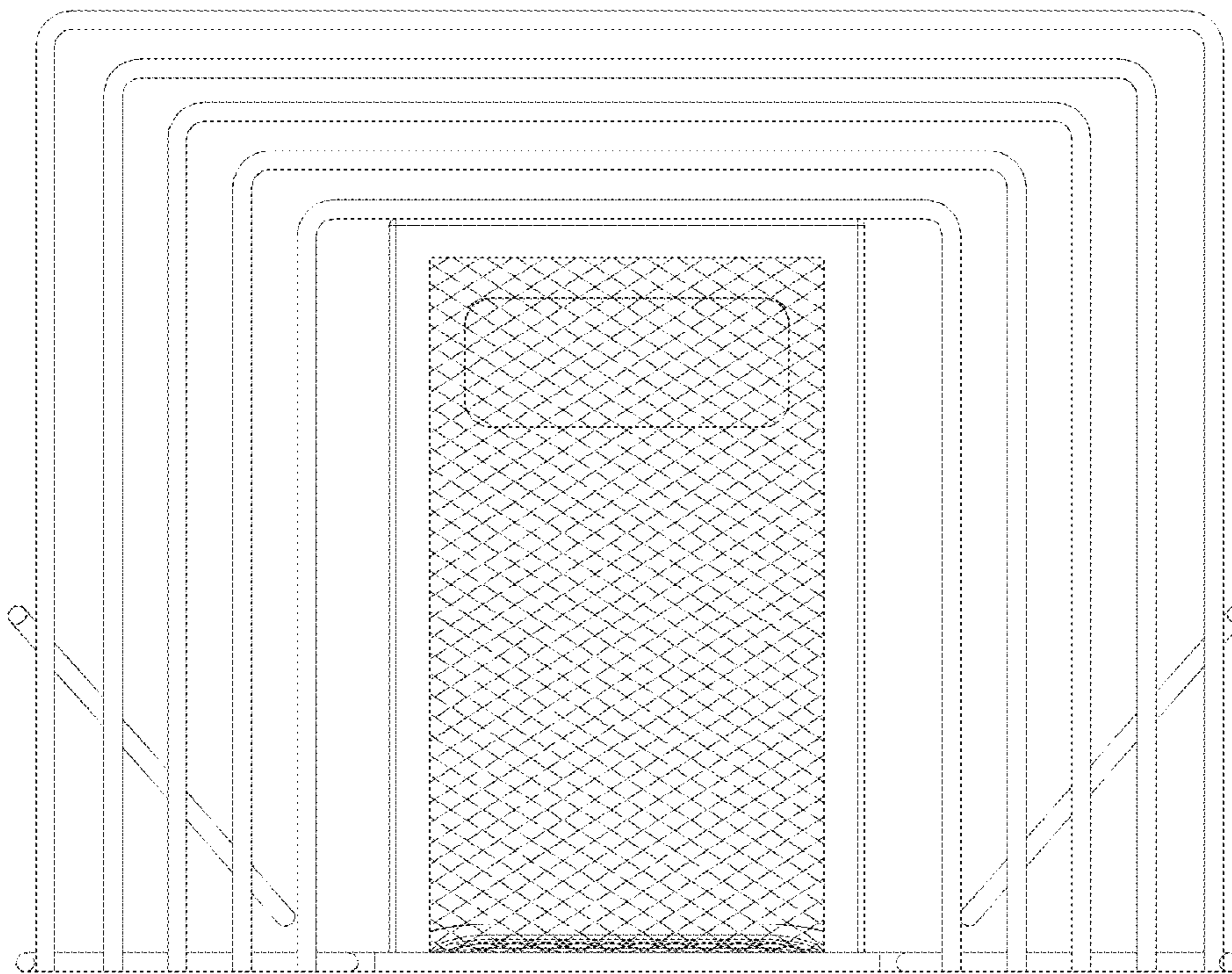


FIG.5

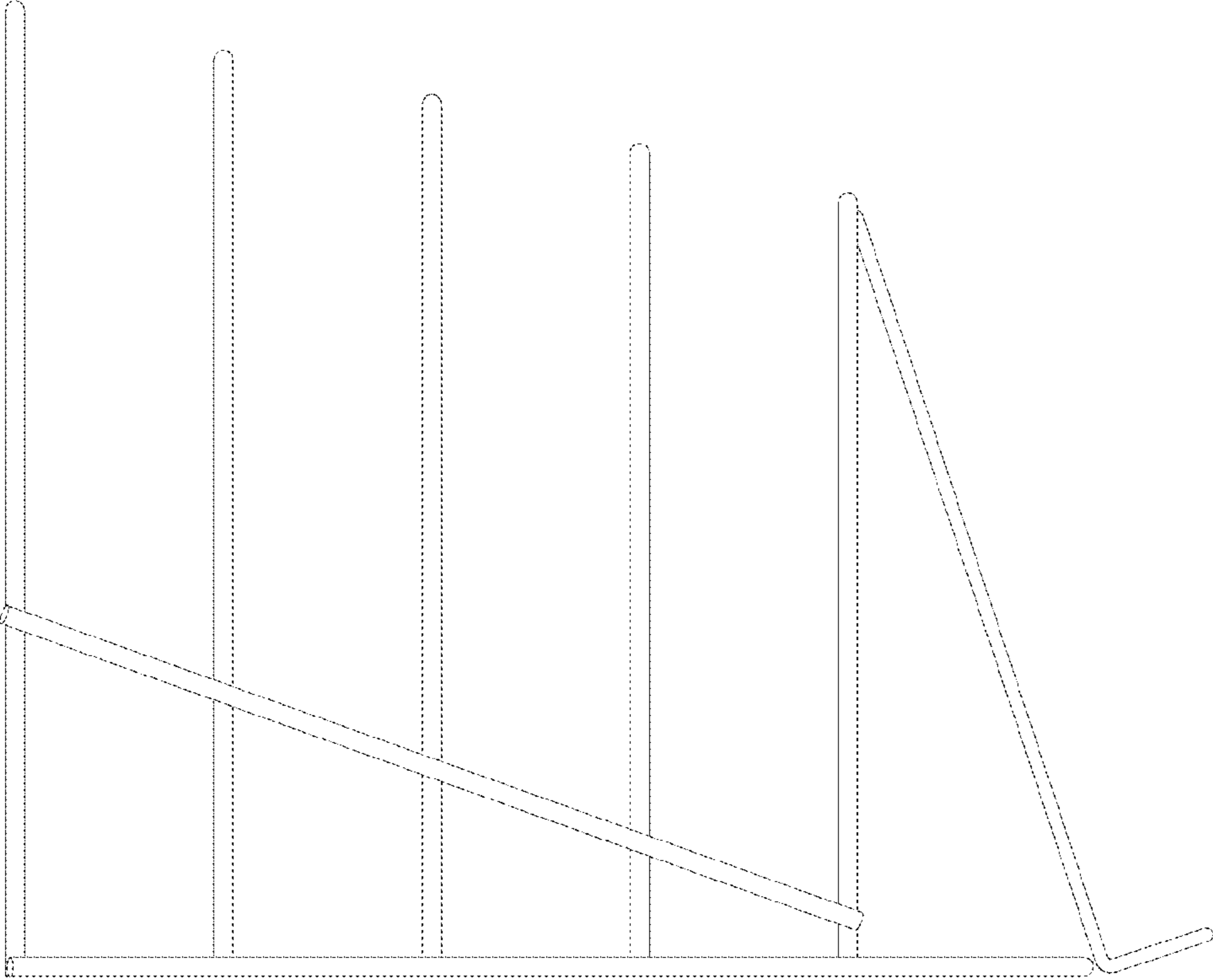


FIG.6

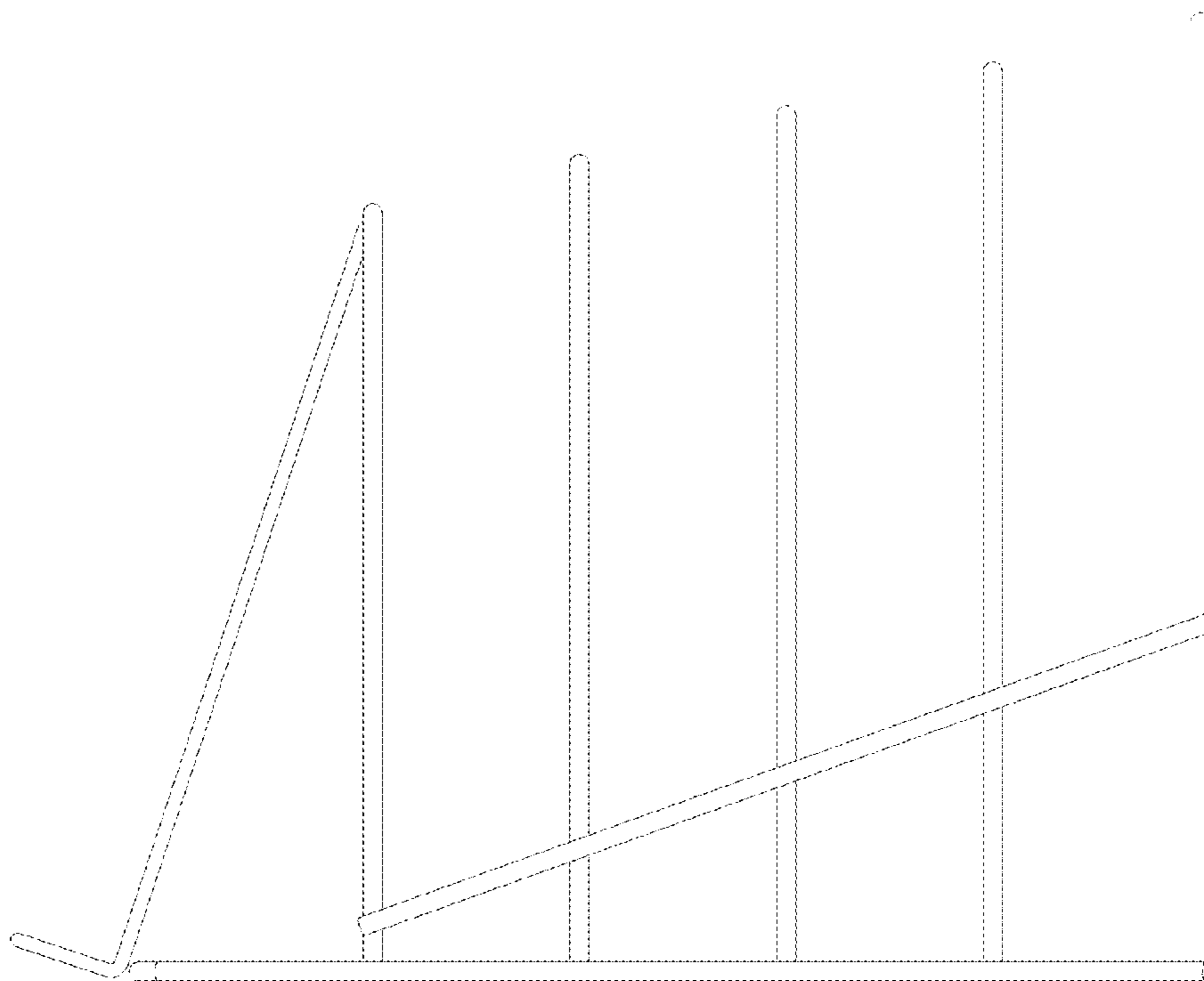


FIG. 7