

US00D691656S

(12) **United States Design Patent**
Merrill et al.

(10) **Patent No.:** **US D691,656 S**

(45) **Date of Patent:** **** *Oct. 15, 2013**

(54) **MANIPULABLE CUBES BASE STATION**

(75) Inventors: **David Jeffrey Merrill**, San Francisco, CA (US); **Jeevan James Kalanithi**, San Francisco, CA (US); **Robert K. Lang**, San Francisco, CA (US)

(73) Assignee: **Sifteo, Inc.**, San Francisco, CA (US)

(*) Notice: This patent is subject to a terminal disclaimer.

(**) Term: **14 Years**

(21) Appl. No.: **29/418,638**

(22) Filed: **Apr. 18, 2012**

(51) **LOC (9) Cl.** **19-07**

(52) **U.S. Cl.**
USPC **D19/60**

(58) **Field of Classification Search**
USPC D21/331-332, 346, 595; D19/59-64;
434/112, 128, 156, 157, 159, 169, 309,
434/322, 317; D14/434, 435.1, 217;
273/273

See application file for complete search history.

(56) **References Cited**

U.S. PATENT DOCUMENTS

D329,062	S	*	9/1992	Chin	D21/331
5,263,865	A	*	11/1993	Zipf	434/309
5,316,309	A	*	5/1994	Takeshi	273/273
5,382,188	A	*	1/1995	Tomellini	434/309
D363,085	S	*	10/1995	Cameron	D19/60
5,636,995	A	*	6/1997	Sharpe et al.	434/317
D388,120	S	*	12/1997	Chow et al.	D19/60
5,865,625	A	*	2/1999	Baskerville	434/157

(Continued)

Primary Examiner — T. Chase Nelson

Assistant Examiner — Mark Cavanna

(74) *Attorney, Agent, or Firm* — Martensen IP; Michael C. Martensen

(57) **CLAIM**

The ornamental design for the manipulable cubes base station, as shown and described.

DESCRIPTION

The present application relates to U.S. patent application Ser. No. 29/376,968 filed 14 Oct. 2010, now U.S. Pat. No. D 635,190 entitled Interactive Play and Learning System, which is hereby incorporated by reference in its entirety for all purposes as if fully set forth herein.

FIG. 1 is a top front perspective view of the manipulable cubes base station;

FIG. 2 is a top rear perspective view of the manipulable cubes base station;

FIG. 3 is a front view of the manipulable cubes base station;

FIG. 4 is a rear view of the manipulable cubes base station;

FIG. 5 is a view of one side of the manipulable cubes base station;

FIG. 6 is view of the opposite side of the manipulable cubes base station;

FIG. 7 is a top view of the manipulable cubes base station;

FIG. 8 is a bottom view of the manipulable cubes base station;

and,

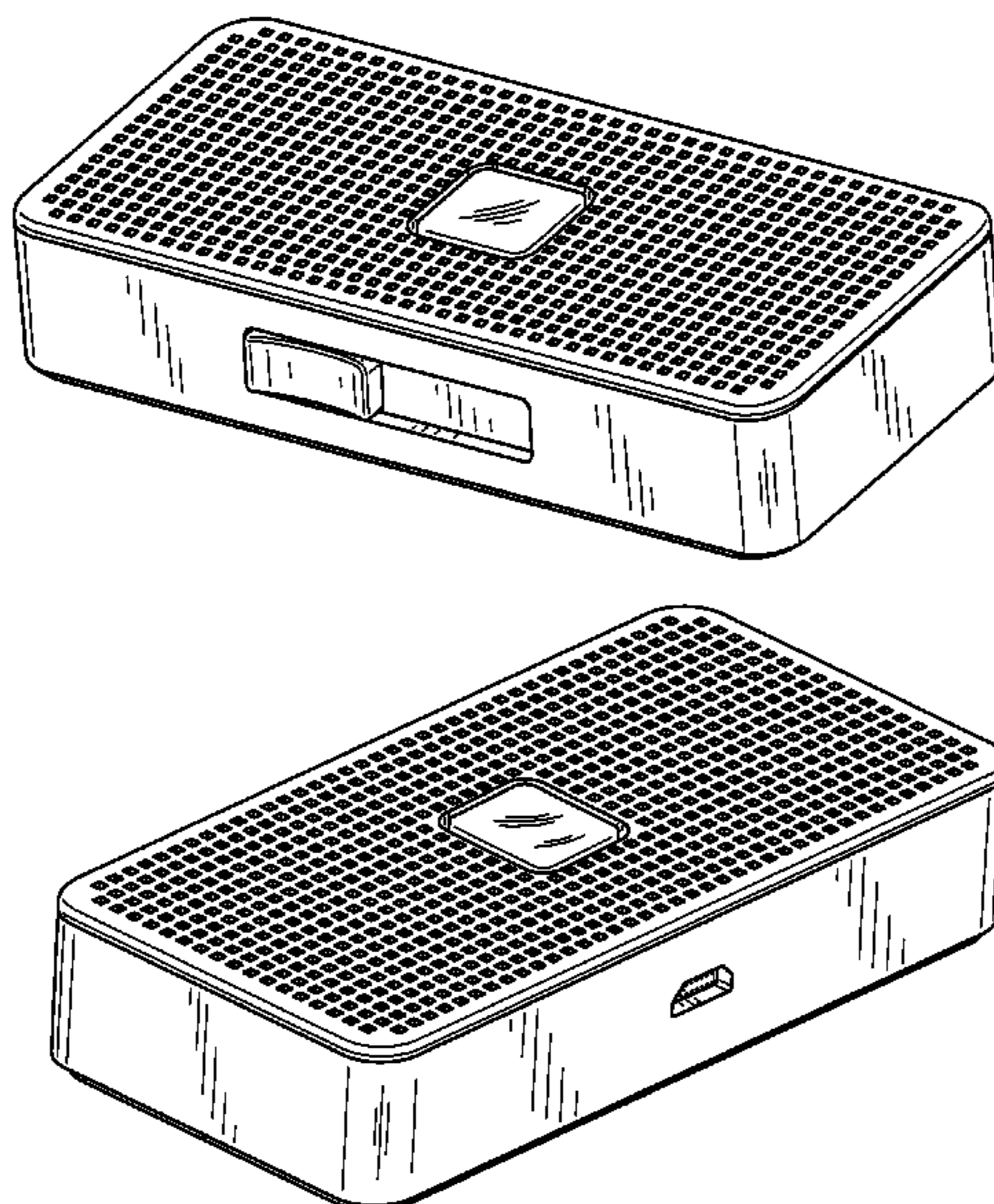
FIG. 9 is a front elevated perspective view of the manipulable cubes base station and its environment including a plurality of manipulable cubes.

The broken lines seen in FIGS. 2 and 4 are included for the purpose of illustrating the boundaries of the claimed design. The broken lines and surfaces within them form no part of the claimed design.

The broken lines seen in FIG. 8 are included for the purpose of illustrating portions of the manipulable cubes base station that form no part of the claimed design.

The portions of the drawings shown in broken lines in FIG. 9 illustrate the surrounding structure and environment which form no part of the claimed design.

1 Claim, 7 Drawing Sheets



(56)

References Cited

U.S. PATENT DOCUMENTS

D426,265 S *	6/2000	Black	D19/59	D635,190 S *	3/2011	Merrill et al.	D19/60
D447,179 S *	8/2001	Lusala	D19/60	D647,908 S *	11/2011	Chen et al.	D14/434
D531,669 S *	11/2006	Gordon et al.	D19/60	D648,707 S *	11/2011	Akana et al.	D14/217
D544,916 S *	6/2007	Vazquez Gastellu	D19/64	D651,605 S *	1/2012	Bouaziz et al.	D14/434
D547,377 S *	7/2007	Vazquez Gastell	D19/64	D662,492 S *	6/2012	Akana et al.	D14/217
D557,338 S *	12/2007	Delman et al.	D19/60	D662,938 S *	7/2012	Marshall et al.	D14/434
D583,416 S *	12/2008	Cisneros	D19/59	D663,732 S *	7/2012	Desmarais et al.	D14/434
D619,652 S *	7/2010	Voss	D19/60	D667,411 S *	9/2012	Kim	D14/434
					2005/0003335 A1 *	1/2005	Everett	434/322
					2008/0113321 A1 *	5/2008	Kelley et al.	434/169

* cited by examiner

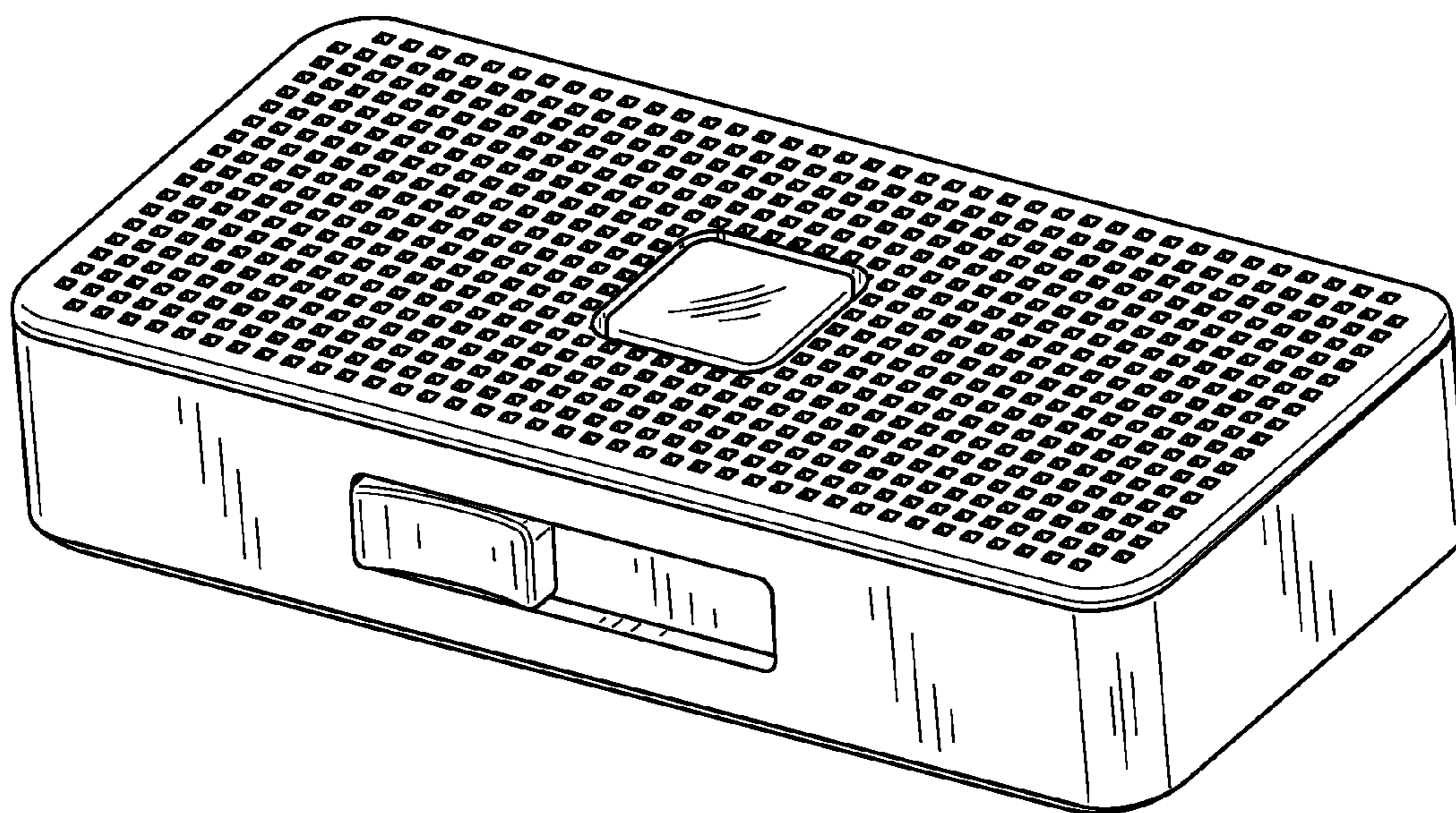


FIG.1

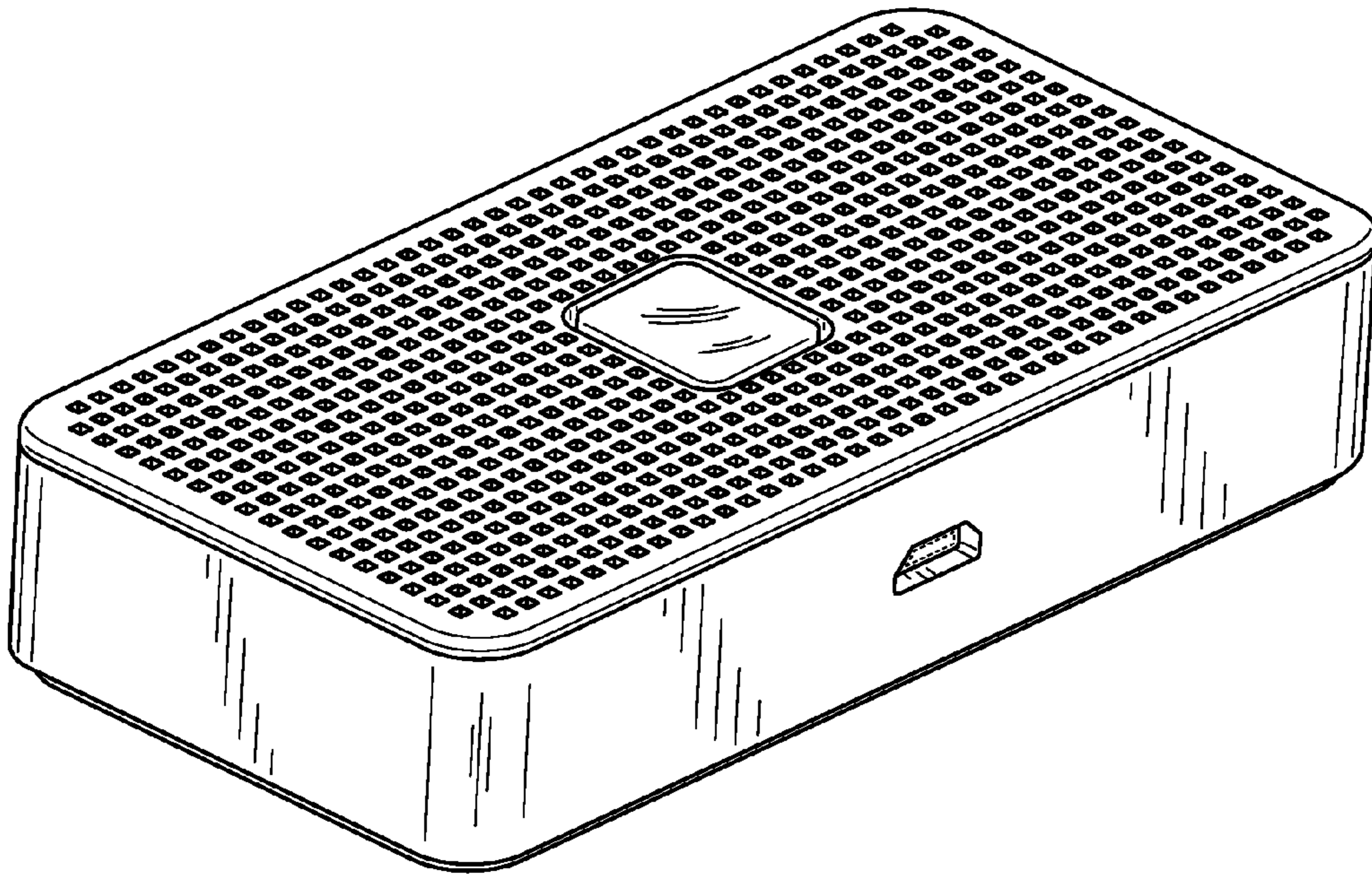


FIG.2

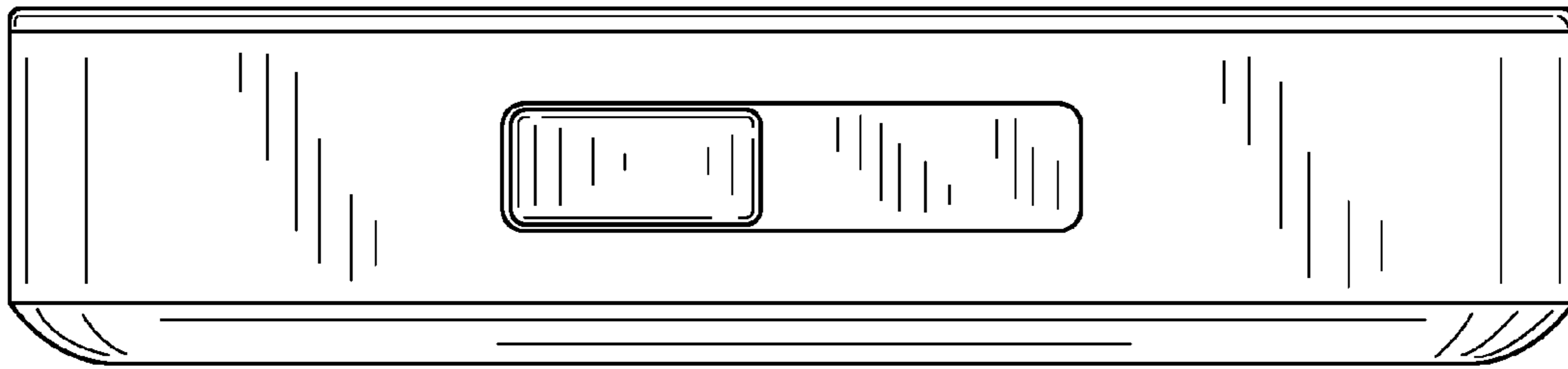


FIG.3

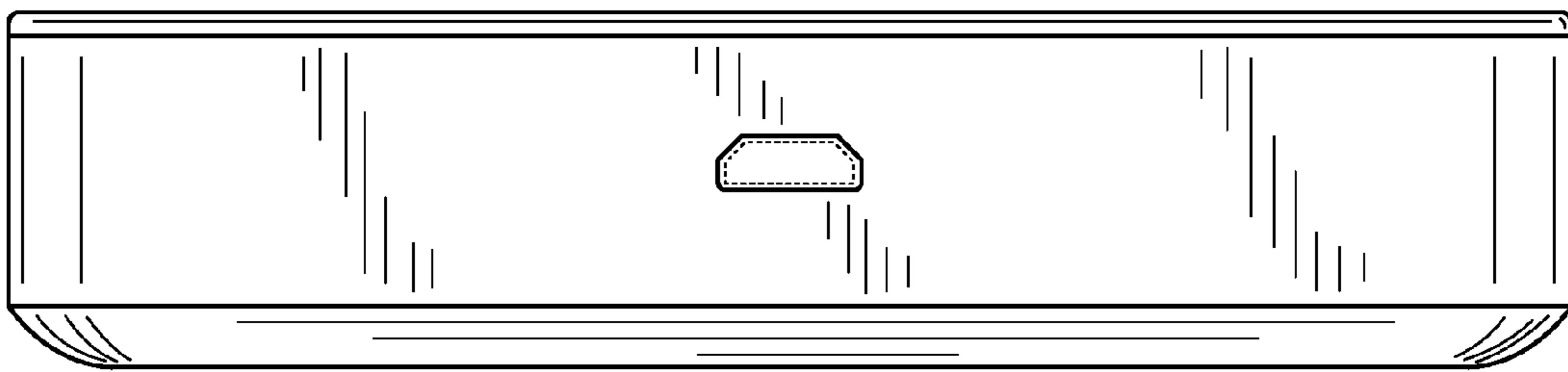


FIG.4

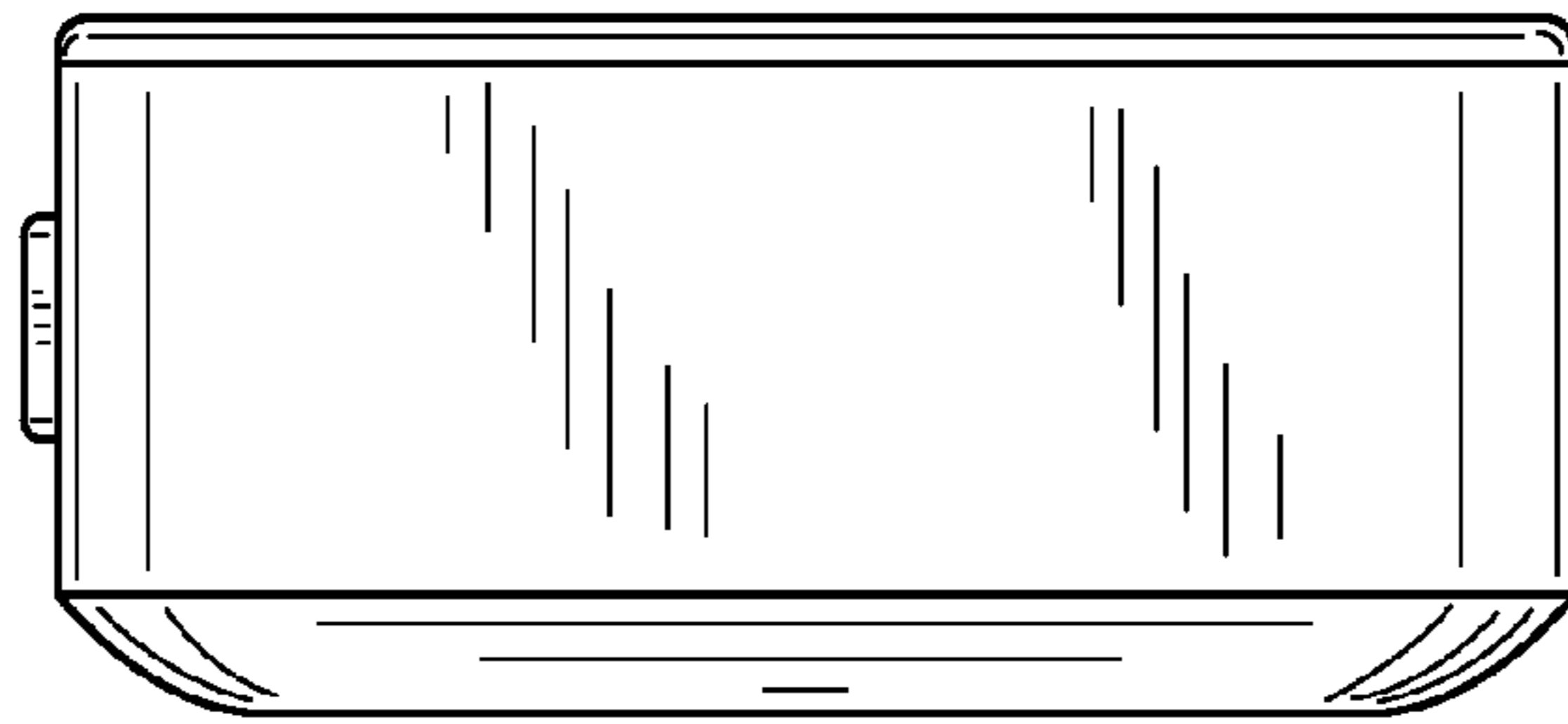


FIG. 5

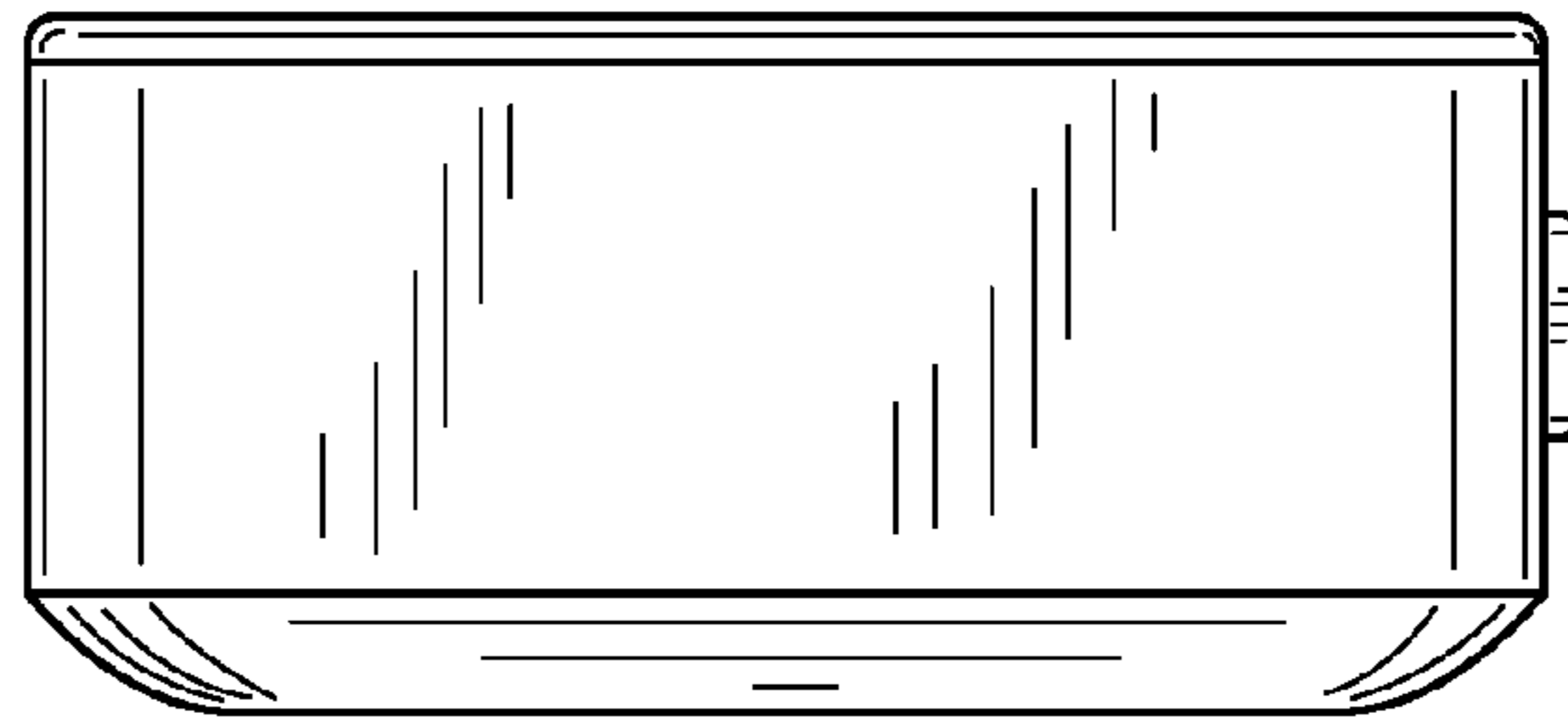


FIG. 6

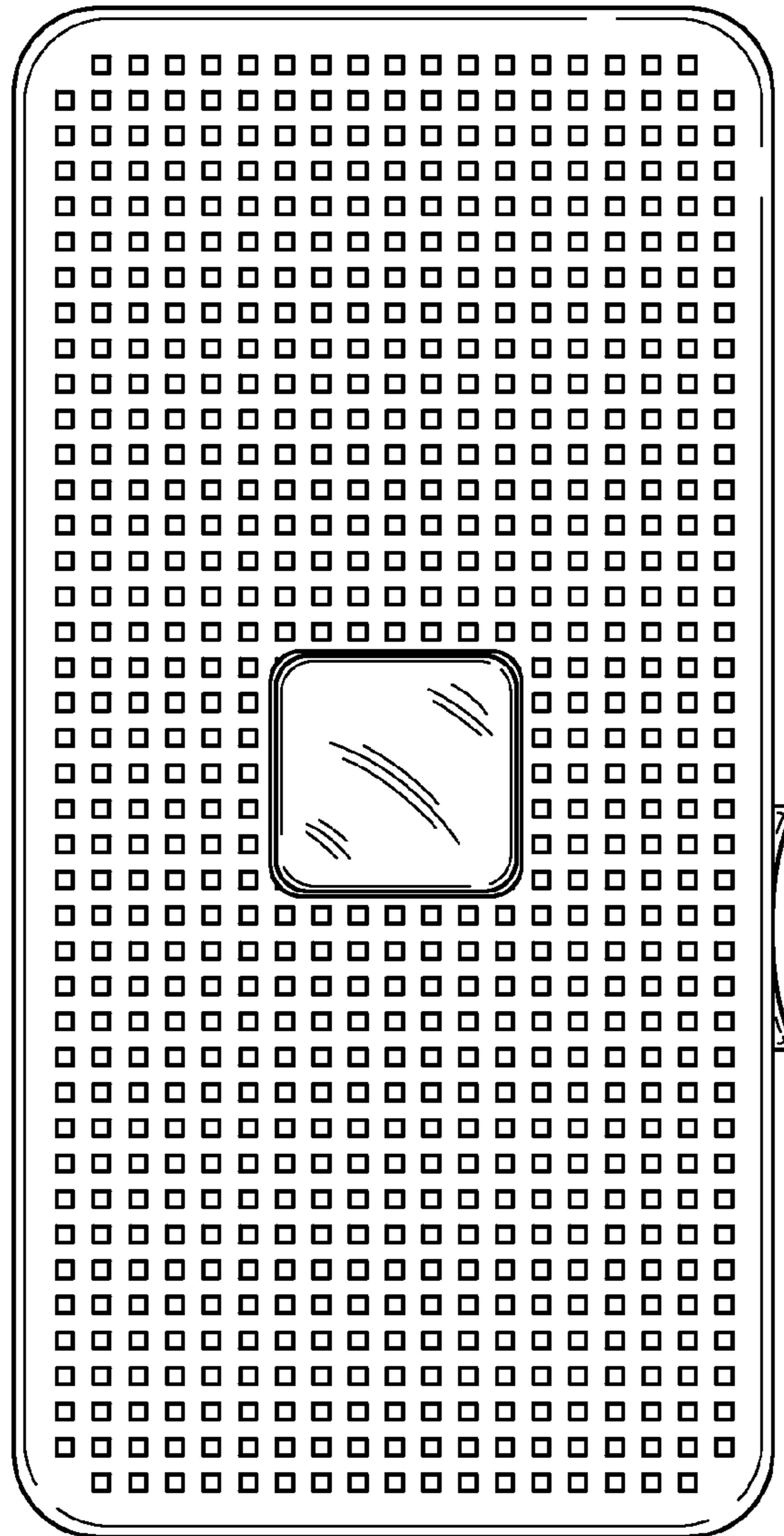


FIG.7

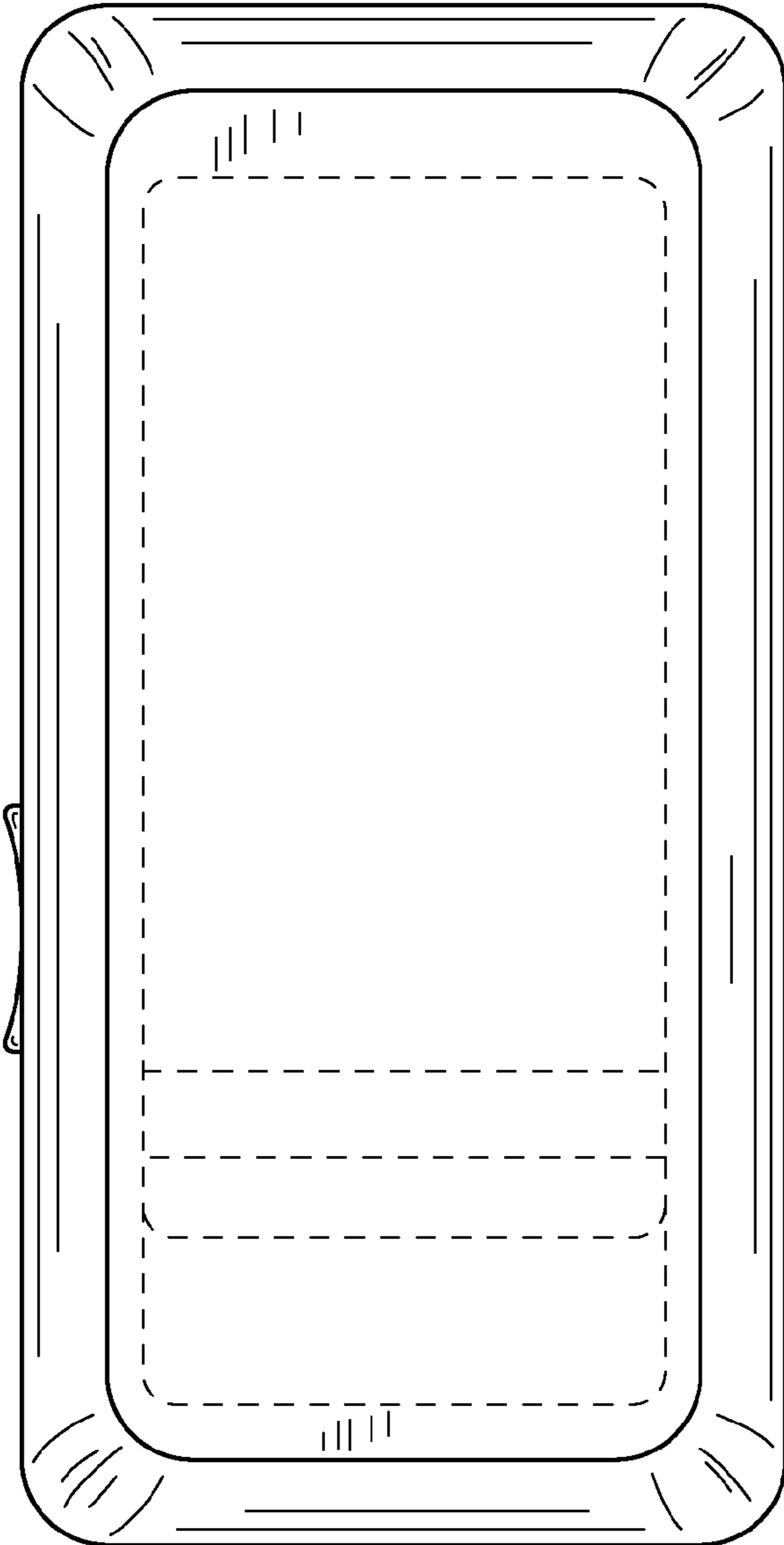


FIG.8

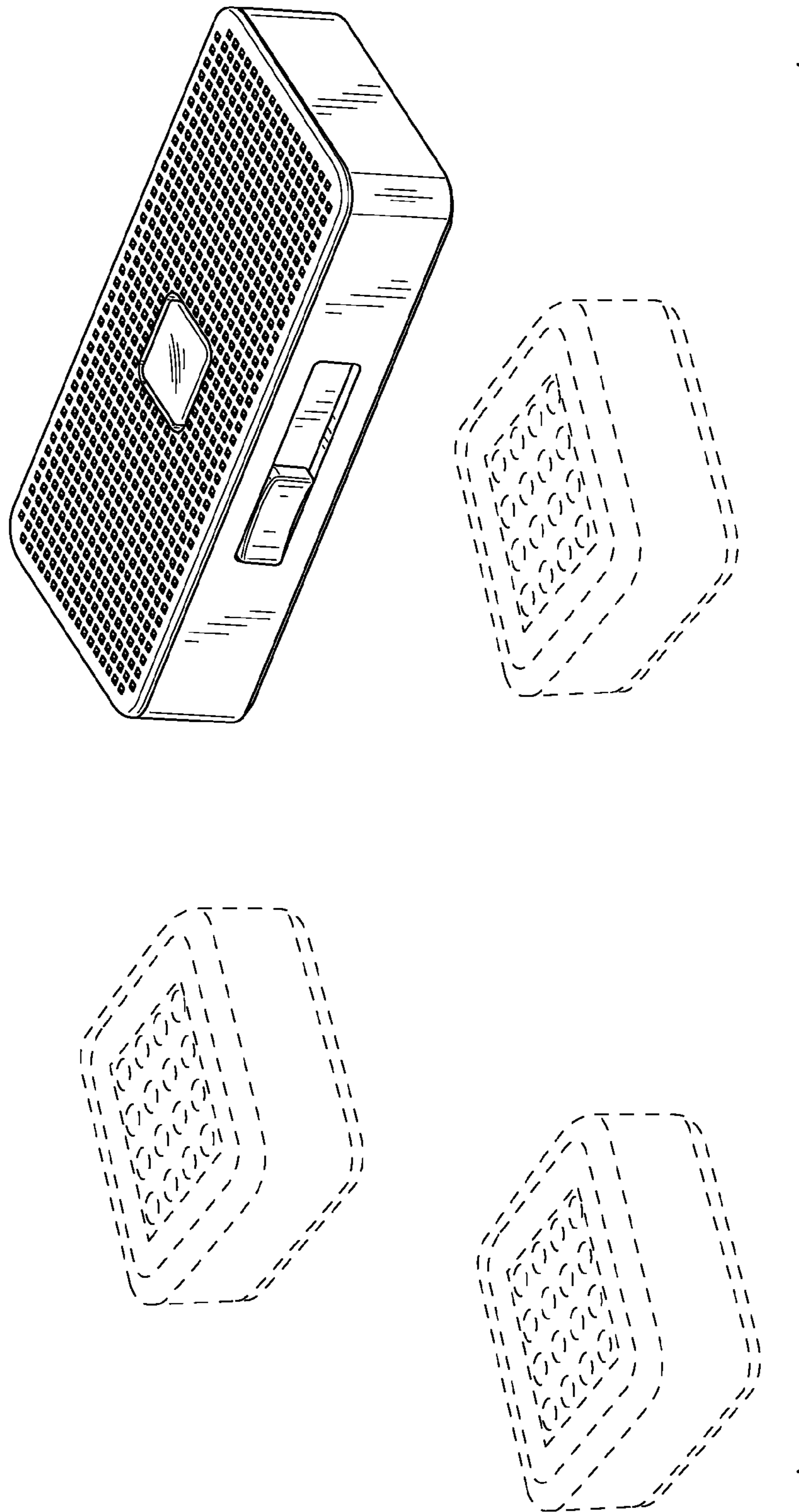


FIG. 9