



US00D691652S

(12) **United States Design Patent**  
**Castro et al.**

(10) **Patent No.:** **US D691,652 S**  
(45) **Date of Patent:** **\*\* Oct. 15, 2013**

(54) **GOGGLE COMPONENT**  
(71) Applicant: **Oakley, Inc.**, Foothill Ranch, CA (US)  
(72) Inventors: **James Nelson Castro**, Laguna Niguel, CA (US); **David Ginther**, Ladera Ranch, CA (US)  
(73) Assignee: **Oakley, Inc.**, Foothill Ranch, CA (US)  
(\*\*) Term: **14 Years**

6,725,467 B2 4/2004 Harding  
D510,378 S 10/2005 Dondero et al.  
D519,147 S 4/2006 Moritz et al.  
D523,889 S 6/2006 Chen  
D537,100 S 2/2007 Moritz et al.  
D542,327 S 5/2007 Hsu  
D544,900 S 6/2007 Li  
D551,278 S 9/2007 Moritz et al.  
D577,054 S 9/2008 Moritz  
D578,562 S 10/2008 Moritz  
D616,483 S 5/2010 Moritz  
D616,914 S 6/2010 Moritz  
D629,035 S 12/2010 Yee et al.

(Continued)

(21) Appl. No.: **29/447,081**  
(22) Filed: **Feb. 28, 2013**  
(51) **LOC (9) Cl.** ..... **16-06**  
(52) **U.S. Cl.**  
USPC ..... **D16/311; D16/330**  
(58) **Field of Classification Search**  
USPC ..... D16/101, 300-342, 900; D29/109-110;  
351/41, 44, 51-52, 62, 158, 92,  
351/103-123, 140-153, 45-46; 2/426-432,  
2/447-449, 441, 434-437, 13, 15;  
D21/483, 659-661; D14/372  
See application file for complete search history.

**OTHER PUBLICATIONS**

Goggles Giant, <http://www.gogglesgiant.com>, Smith Warp Racer Pack Goggles, unknown publication date, printed Apr. 26, 2013.

(Continued)

*Primary Examiner* — Raphael Barkai  
(74) *Attorney, Agent, or Firm* — Knobbe Martens Olson & Bear, LLP

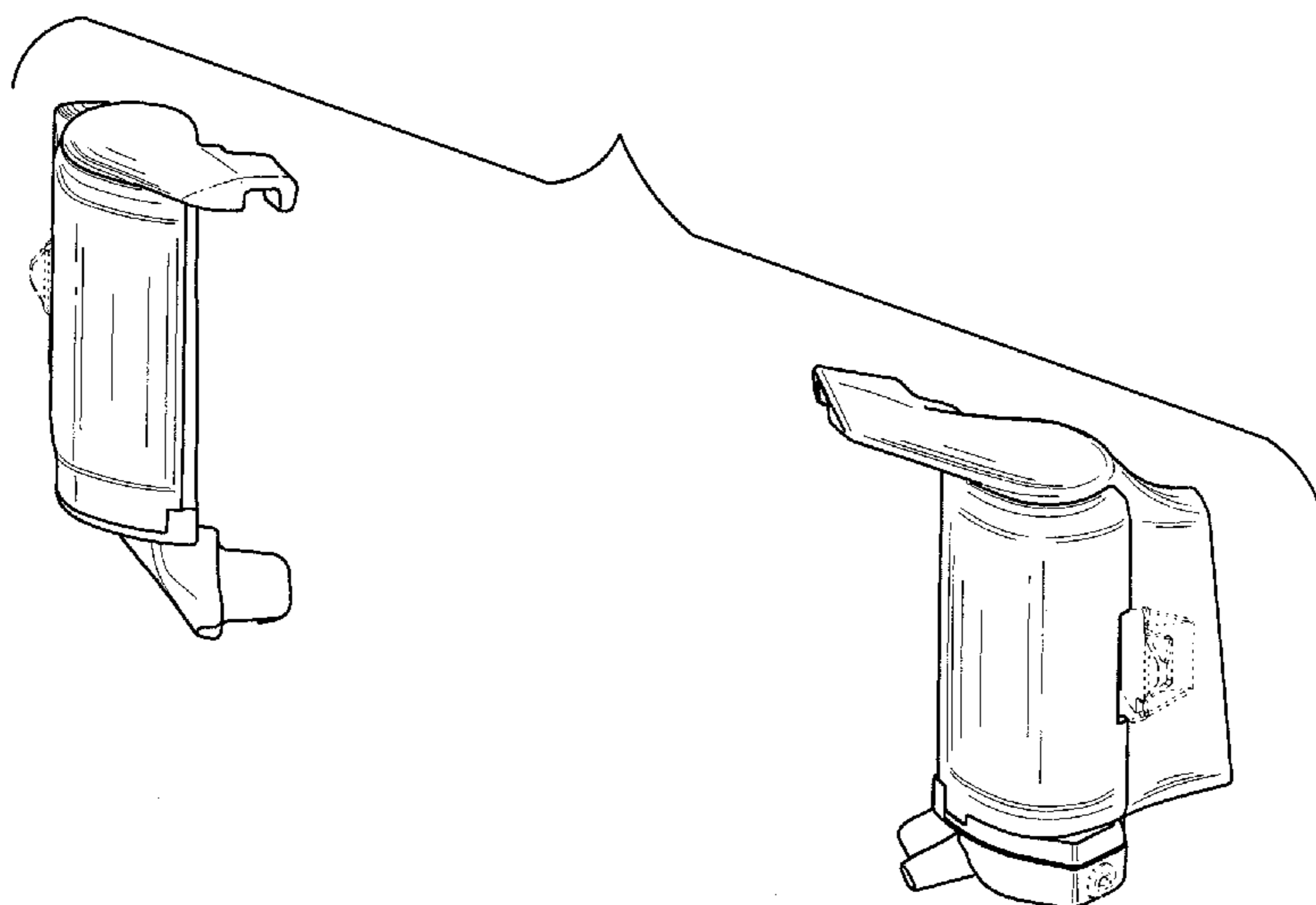
(57) **CLAIM**  
The ornamental design for a goggle component, as shown and described.

- (56) **References Cited**
- U.S. PATENT DOCUMENTS
- |               |         |                 |       |
|---------------|---------|-----------------|-------|
| 4,428,081 A   | 1/1984  | Smith           |       |
| 4,455,689 A   | 6/1984  | Boyer           |       |
| 4,528,701 A   | 7/1985  | Smith           |       |
| 4,716,601 A   | 1/1988  | McNeal          |       |
| 4,748,697 A   | 6/1988  | Hodnett         |       |
| D322,795 S    | 12/1991 | Dianitsch       |       |
| D405,102 S    | 2/1999  | Moritz et al.   |       |
| 6,047,412 A * | 4/2000  | Wilson et al.   | 2/438 |
| D428,039 S    | 7/2000  | Thixton         |       |
| 6,415,452 B1  | 7/2002  | Watanabe et al. |       |
| 6,416,177 B1  | 7/2002  | Gibson          |       |
| D478,610 S    | 8/2003  | Moritz et al.   |       |
| D478,926 S    | 8/2003  | Moritz et al.   |       |

**DESCRIPTION**

FIG. 1 is a front perspective view of a goggle component showing our new design;  
FIG. 2 is a front elevational view thereof;  
FIG. 3 is a rear elevational view thereof;  
FIG. 4 is a right side elevational view thereof;  
FIG. 5 is a left side elevational view thereof;  
FIG. 6 is a top plan view thereof; and,  
FIG. 7 is a bottom plan view thereof.  
The broken lines in the Figures show portions of the goggle component which form no part of the claimed design.

**1 Claim, 4 Drawing Sheets**



(56)

**References Cited**

U.S. PATENT DOCUMENTS

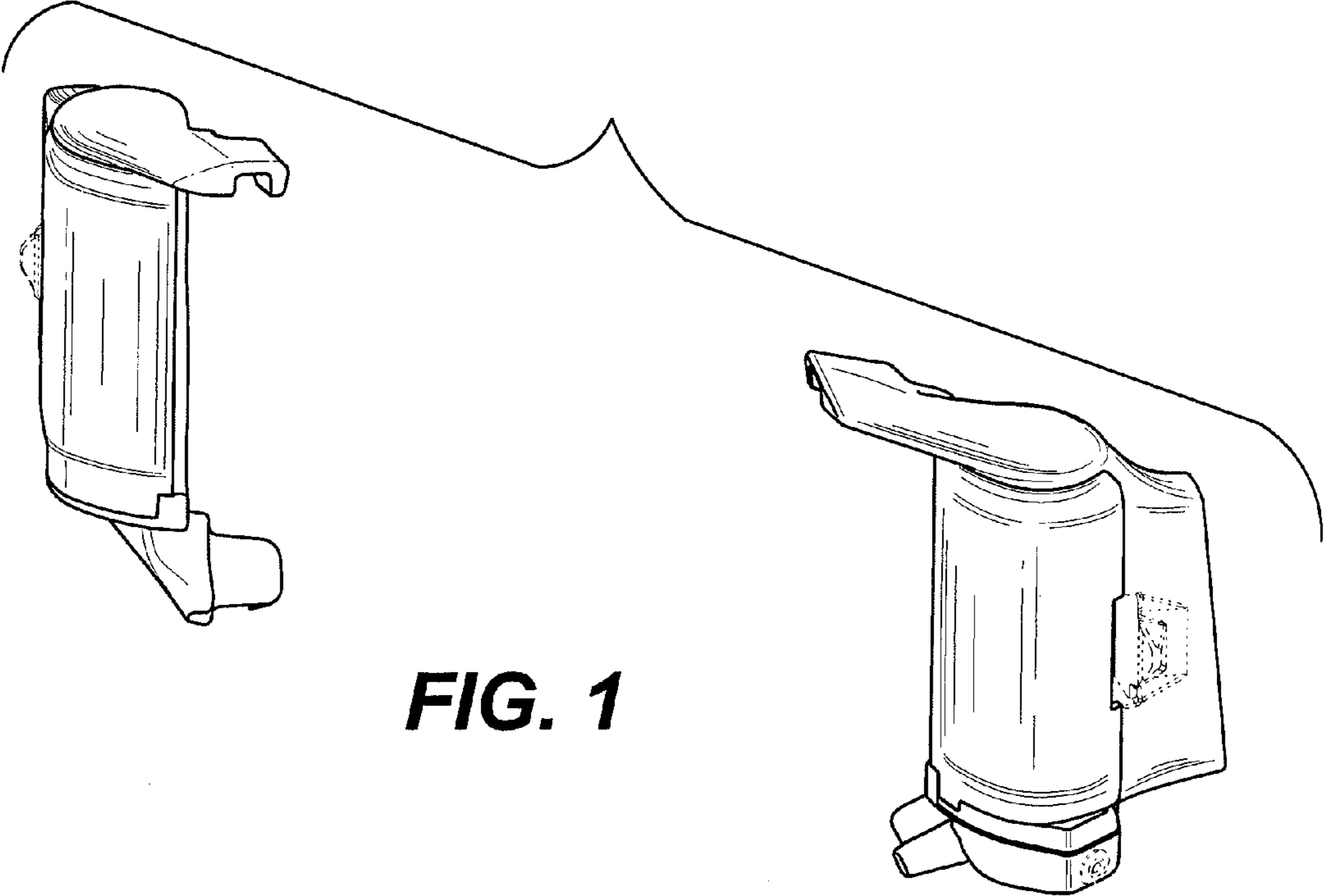
|              |    |         |                |
|--------------|----|---------|----------------|
| D640,724     | S  | 6/2011  | Goodman et al. |
| 7,971,268    | B2 | 7/2011  | Reyes et al.   |
| D648,178     | S  | 11/2011 | Moritz et al.  |
| D649,577     | S  | 11/2011 | Goodman et al. |
| 2011/0225709 | A1 | 9/2011  | Reyes et al.   |
| 2011/0225710 | A1 | 9/2011  | Reyes et al.   |
| 2011/0225711 | A1 | 9/2011  | Reyes et al.   |

OTHER PUBLICATIONS

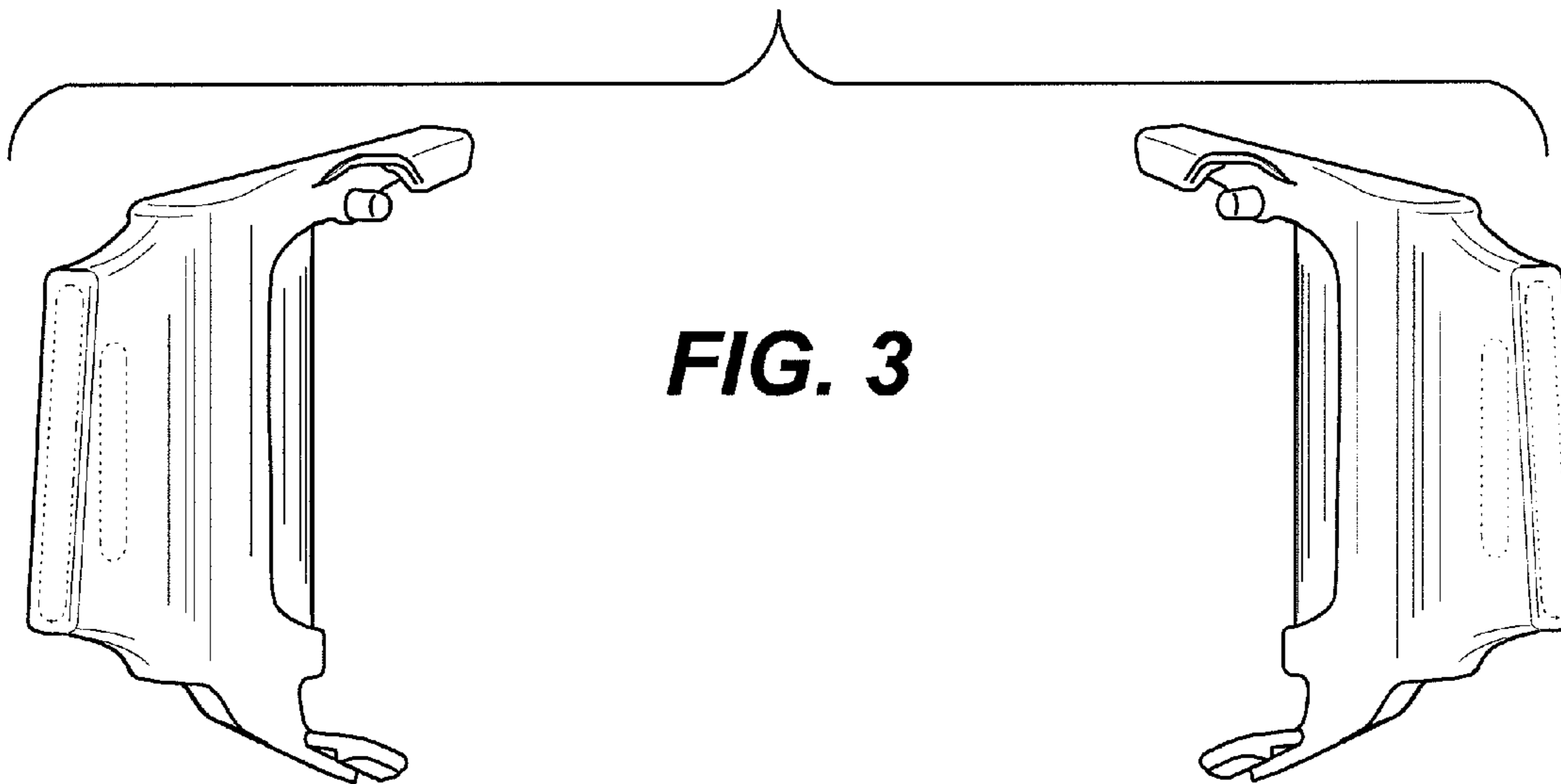
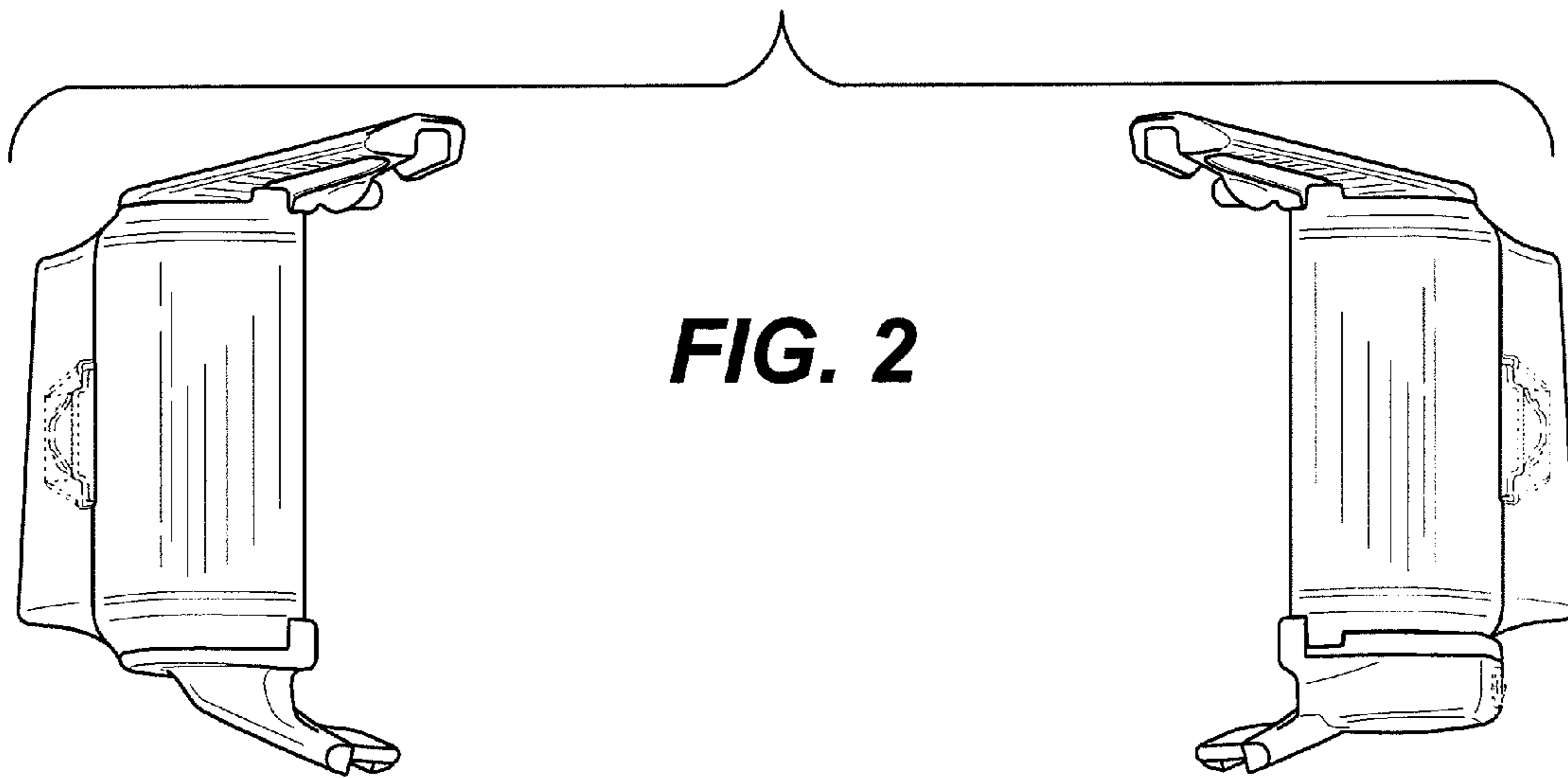
Smith Optics, <http://www.smithoptics.com>, Intake Sweat-X model, unknown publication date, printed Apr. 26, 2013.

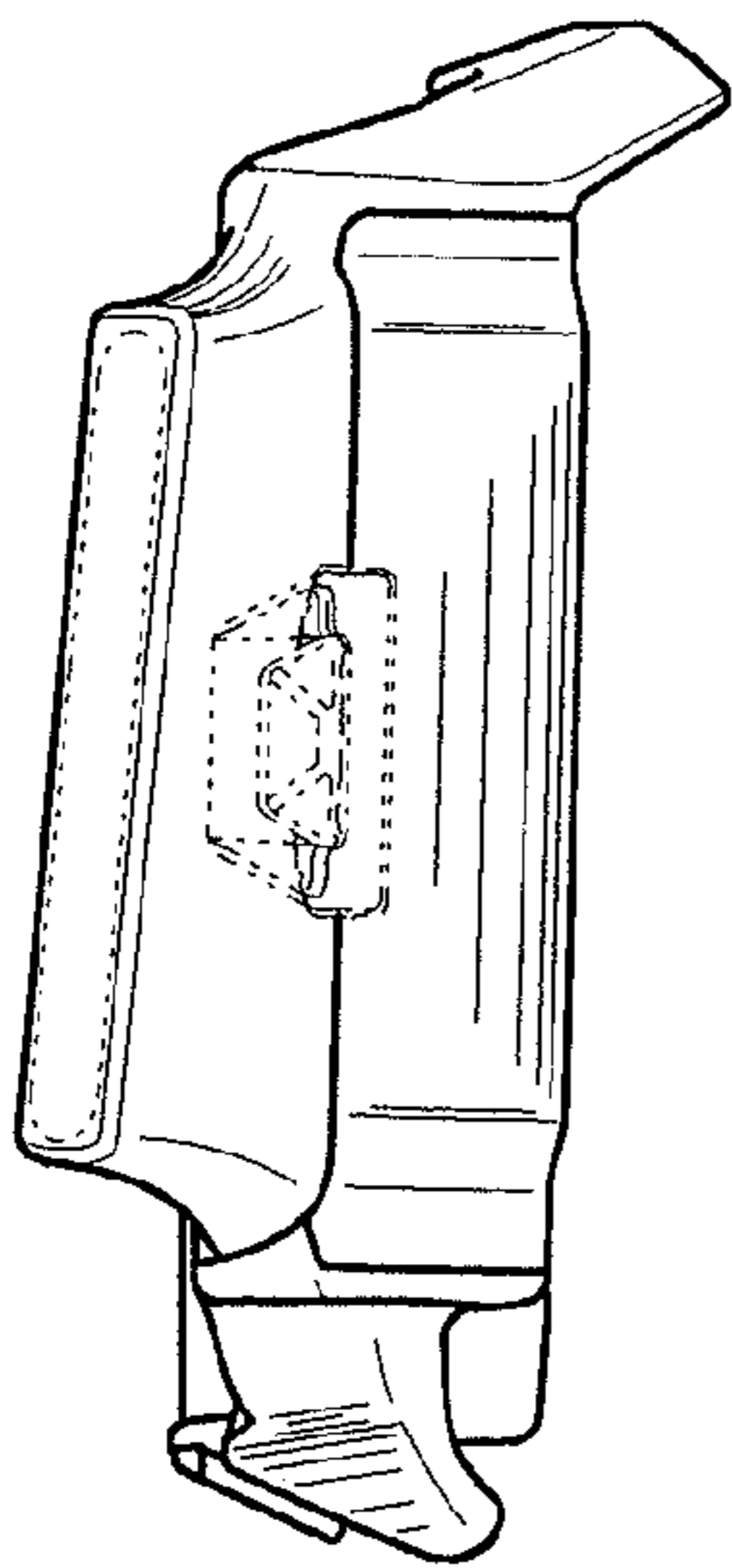
Smith Optics, <http://www.smithoptics.com>, Roll Offs, unknown publication date, printed Apr. 26, 2013.

\* cited by examiner

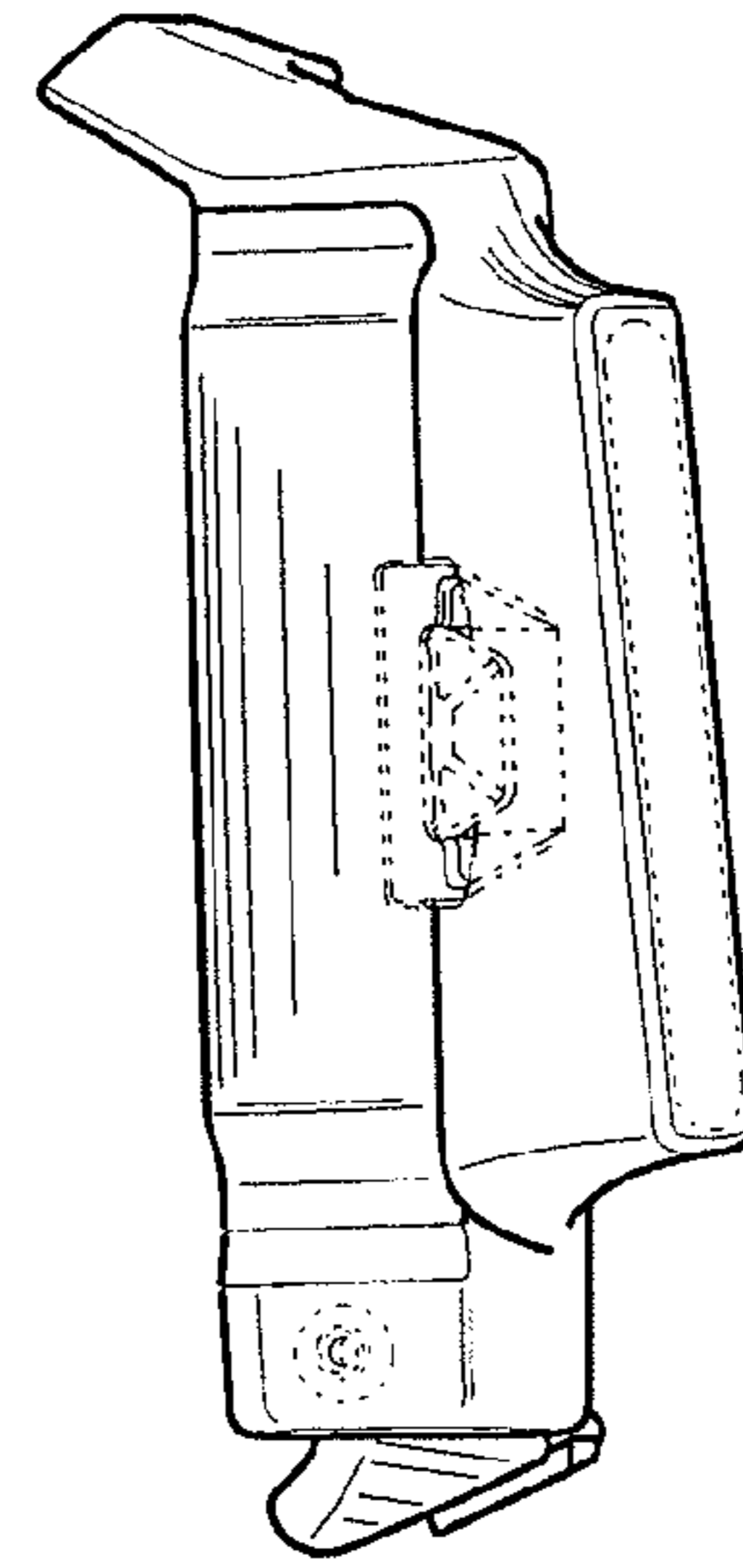


**FIG. 1**





**FIG. 4**



**FIG. 5**

