



US00D691650S

(12) **United States Design Patent**
Takeda et al.

(10) **Patent No.:** **US D691,650 S**
(45) **Date of Patent:** **** Oct. 15, 2013**

(54) **PROJECTOR**

(71) Applicant: **NEC Display Solutions, Ltd.**, Tokyo (JP)

(72) Inventors: **Mikiya Takeda**, Tokyo (JP); **Takahisa Yamada**, Tokyo (JP); **Akio Morita**, Tokyo (JP); **Terumasa Kobayashi**, Tokyo (JP); **Naoki Kato**, Tokyo (JP)

(73) Assignee: **NEC Display Solutions, Ltd.**, Tokyo (JP)

(**) Term: **14 Years**

(21) Appl. No.: **29/436,999**

(22) Filed: **Nov. 12, 2012**

(30) **Foreign Application Priority Data**

May 10, 2012 (JP) 2012-010932

(51) **LOC (9) Cl.** **16-02**

(52) **U.S. Cl.**
USPC **D16/230; D16/225**

(58) **Field of Classification Search**
USPC D16/221, 225, 230-231, 234; D21/514;
353/98, 115, 119, 122

See application file for complete search history.

(56) **References Cited**

U.S. PATENT DOCUMENTS

D623,678	S	*	9/2010	Nakayama et al.	D16/225
D647,941	S	*	11/2011	Yuyama	D16/230
D656,174	S	*	3/2012	Ogawa et al.	D16/230
D663,760	S	*	7/2012	Miyauchi et al.	D16/230
2010/0321644	A1	*	12/2010	Otsuki et al.	353/98
2010/0321646	A1	*	12/2010	Nakano et al.	353/119
2011/0279787	A1	*	11/2011	Yoshimura et al.	353/98
2012/0099087	A1	*	4/2012	Sakuma et al.	353/119

* cited by examiner

Primary Examiner — Wan Laymon

(74) *Attorney, Agent, or Firm* — Sughrue Mion, PLLC

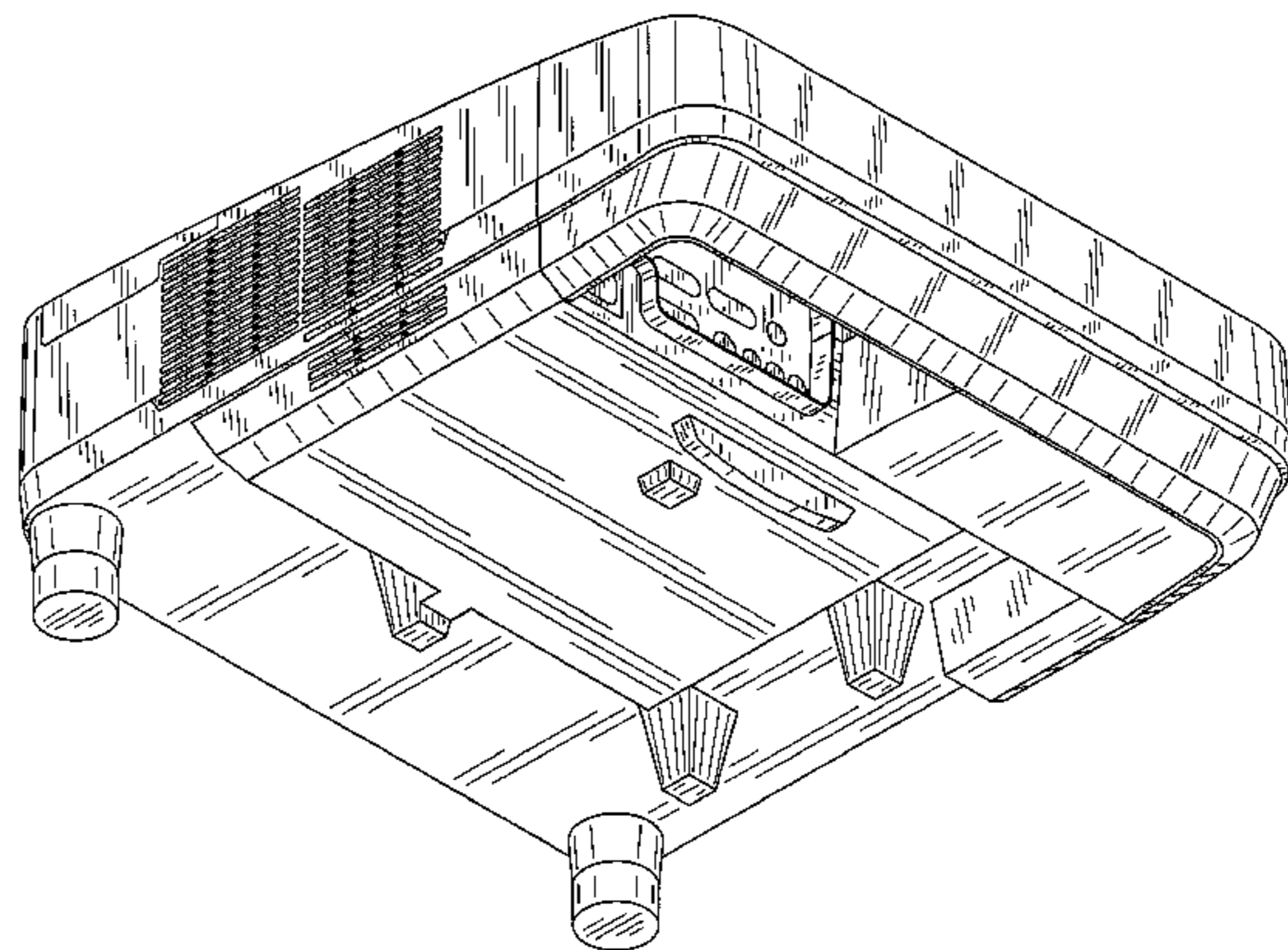
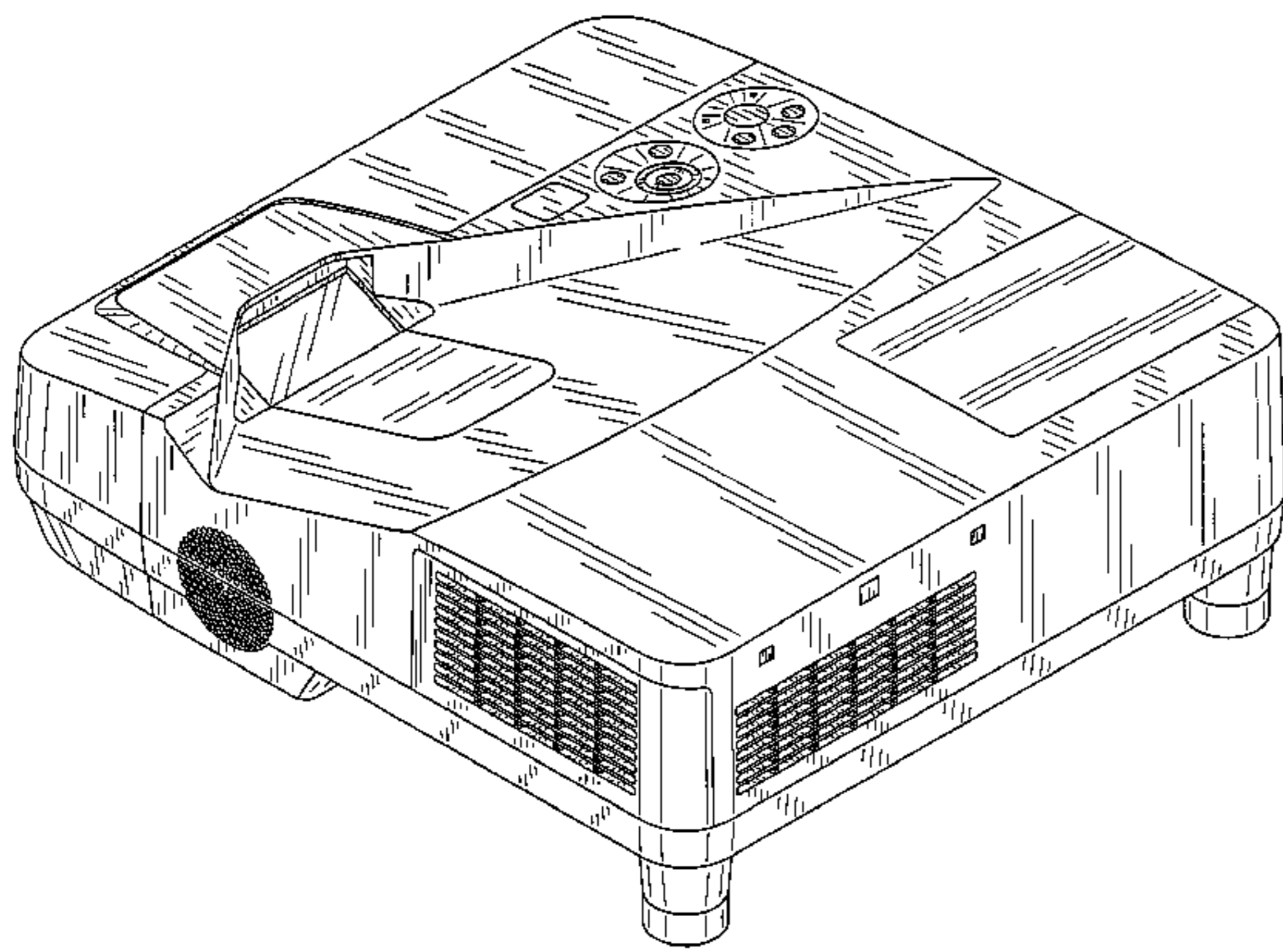
(57) **CLAIM**

The ornamental design for a projector, as shown and described.

DESCRIPTION

FIG. 1 is a front, right side, top perspective view of a projector showing our new design;
FIG. 2 is a rear, left side, bottom perspective view thereof;
FIG. 3 is an enlarged front elevational view thereof;
FIG. 4 is an enlarged rear elevational view thereof;
FIG. 5 is an enlarged left side view thereof;
FIG. 6 is an enlarged right side view thereof;
FIG. 7 is an enlarged top plan view thereof;
FIG. 8 is an enlarged bottom plan view thereof; and,
FIG. 9 is a reference perspective view thereof, showing a state in which a cover part is detached.

1 Claim, 8 Drawing Sheets



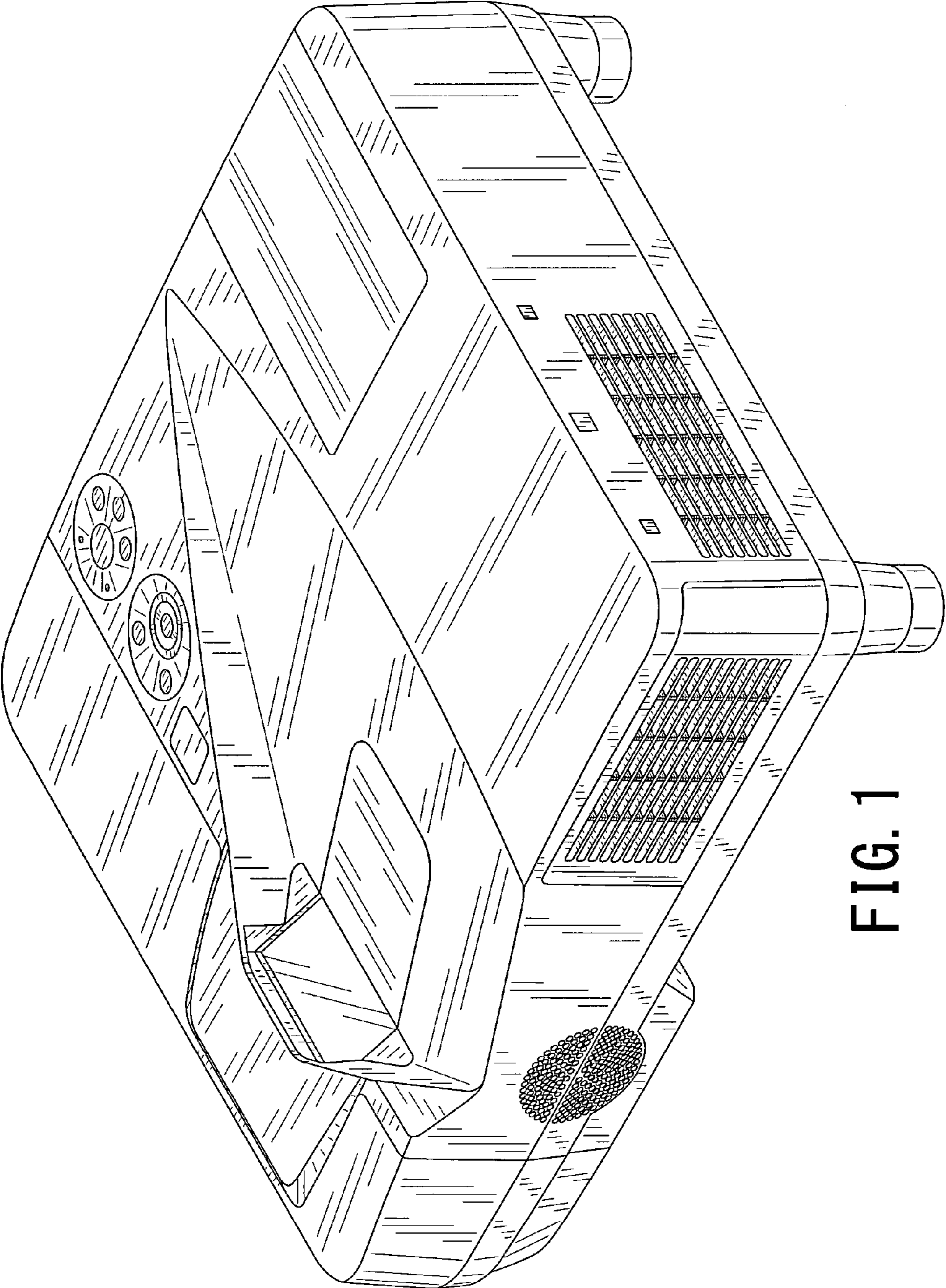


FIG. 1

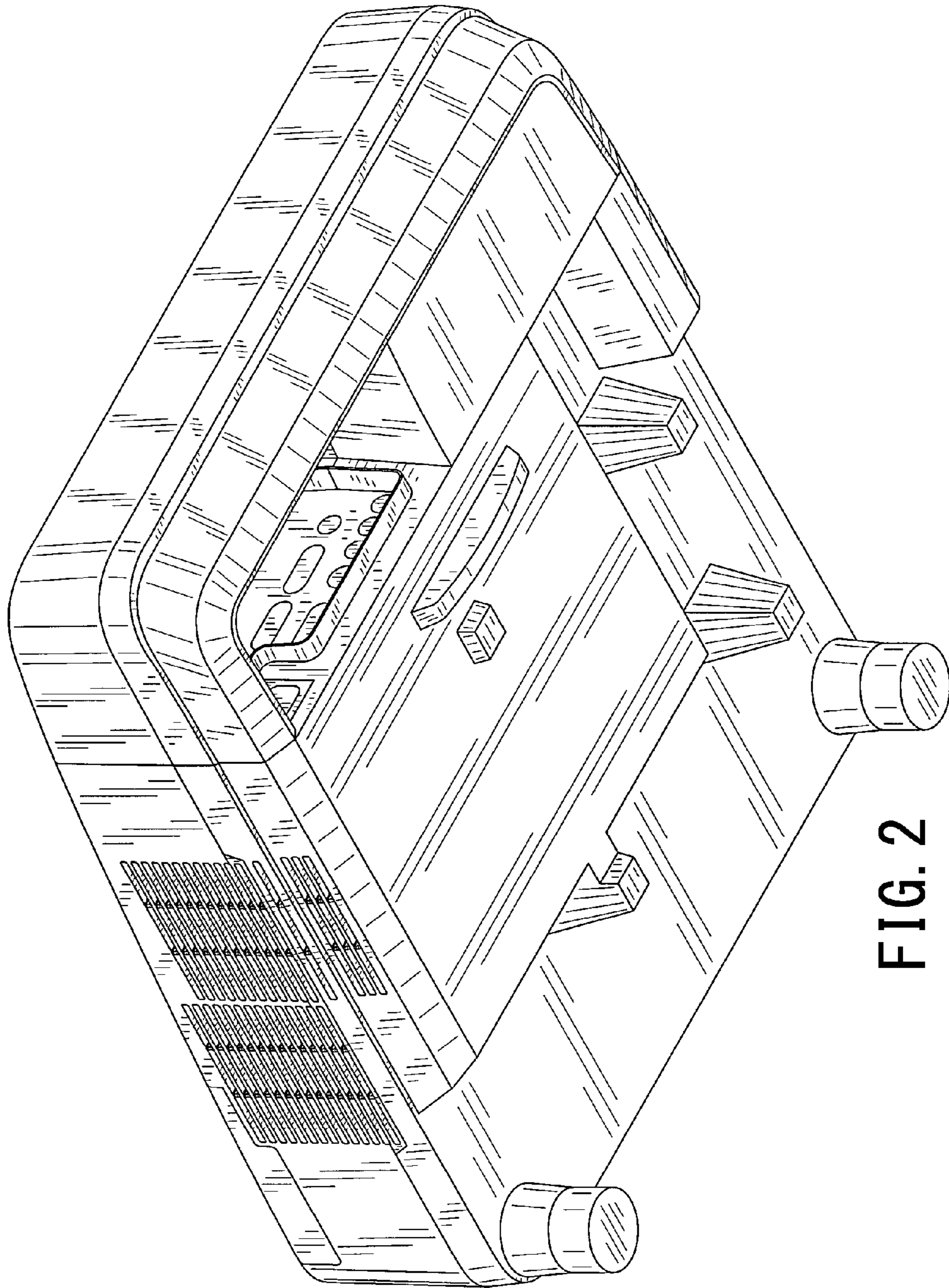


FIG. 2

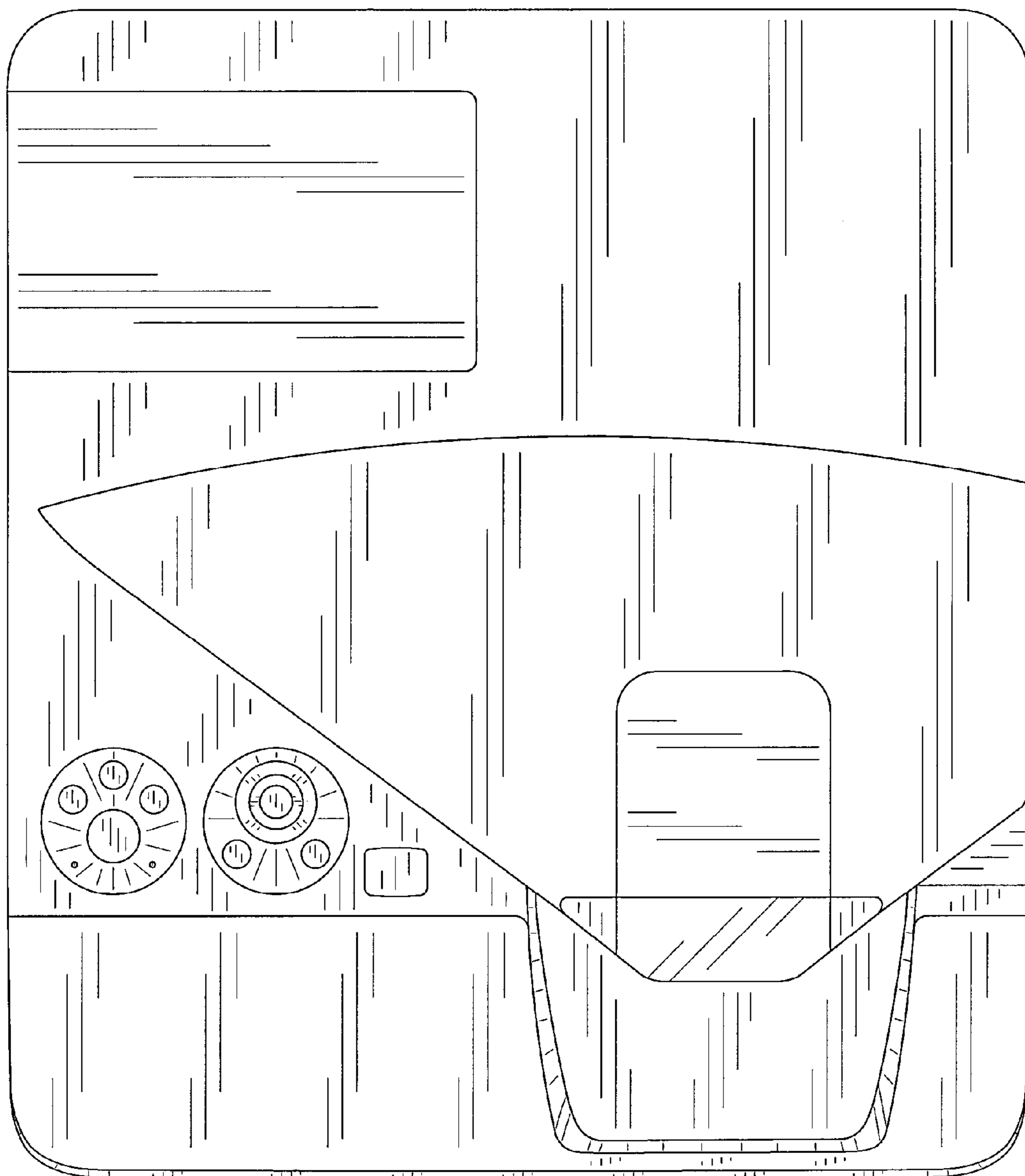


FIG. 3

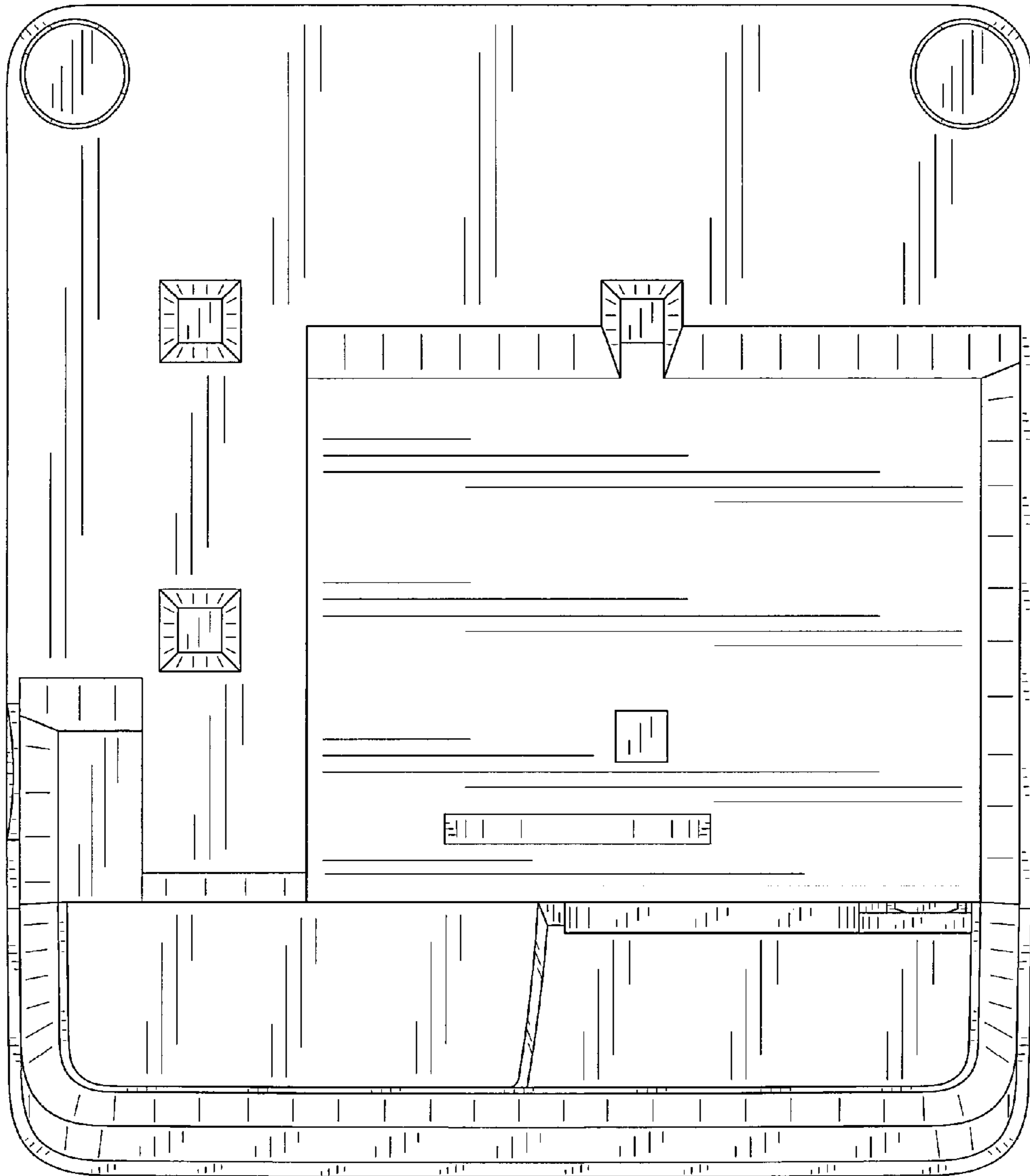


FIG. 4

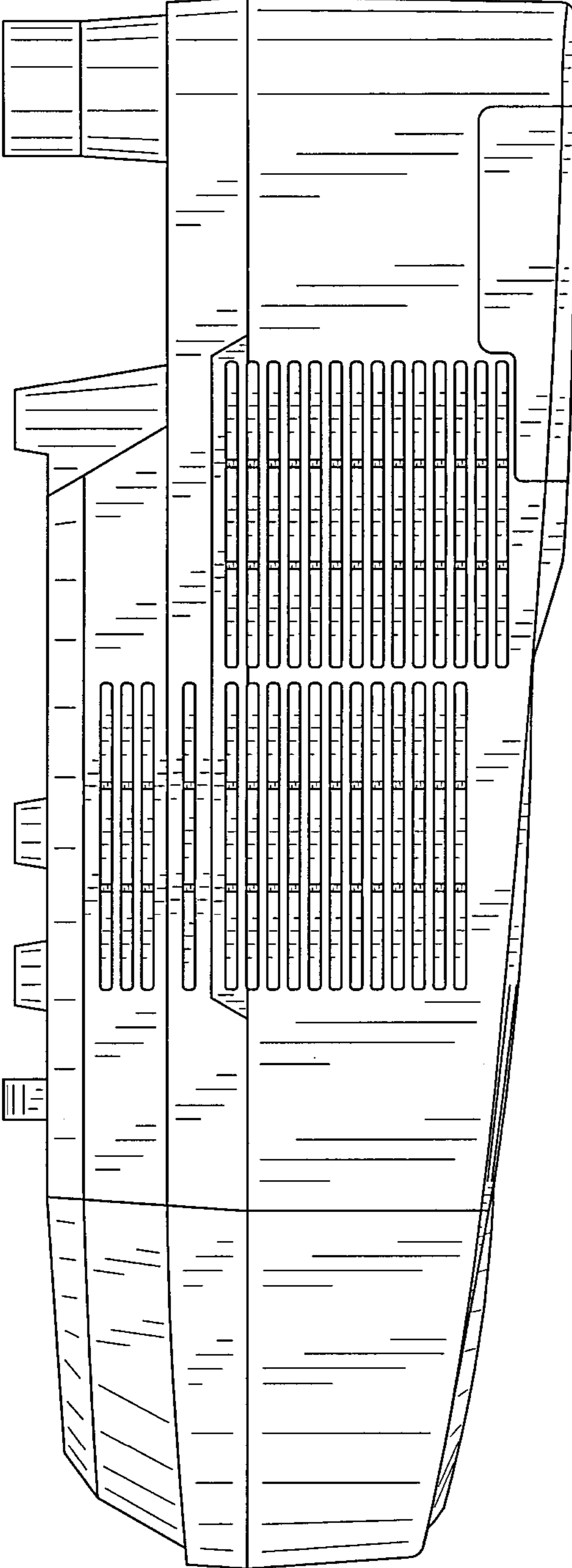


FIG. 5

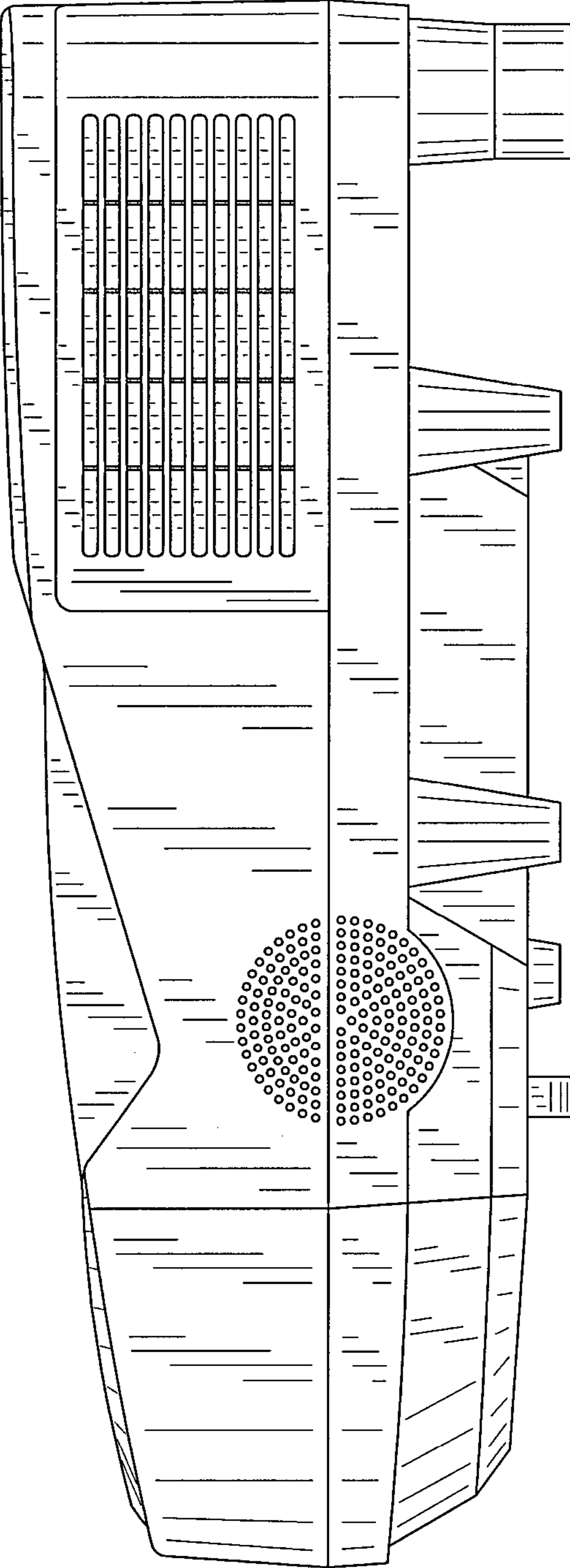


FIG. 6

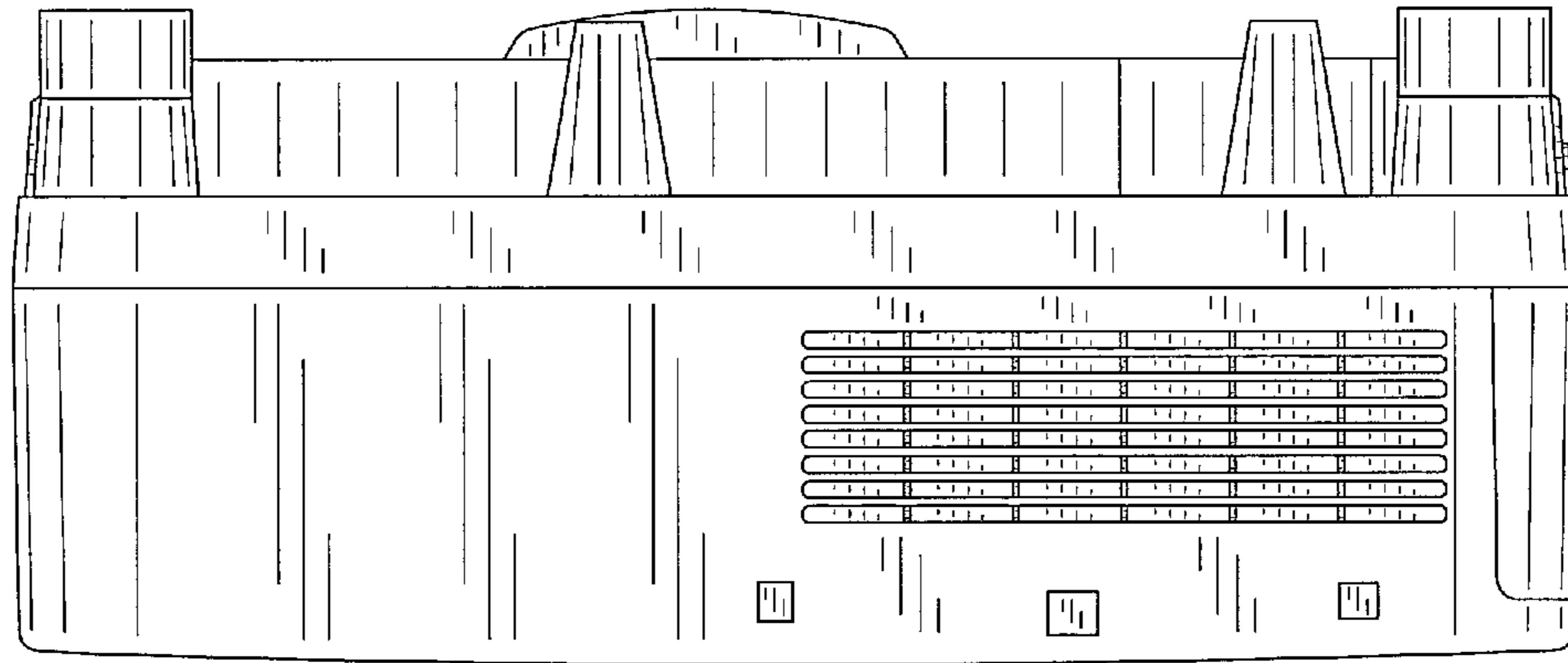


FIG. 7

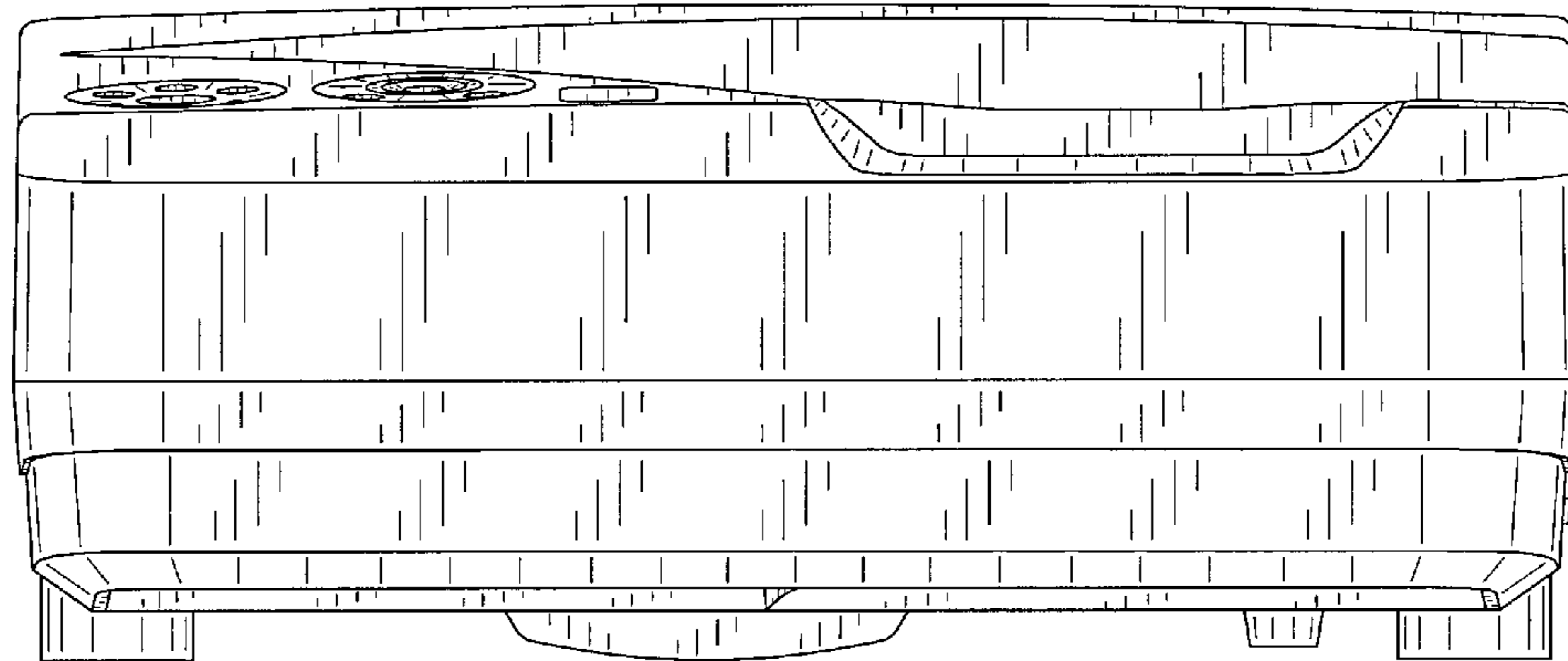


FIG. 8

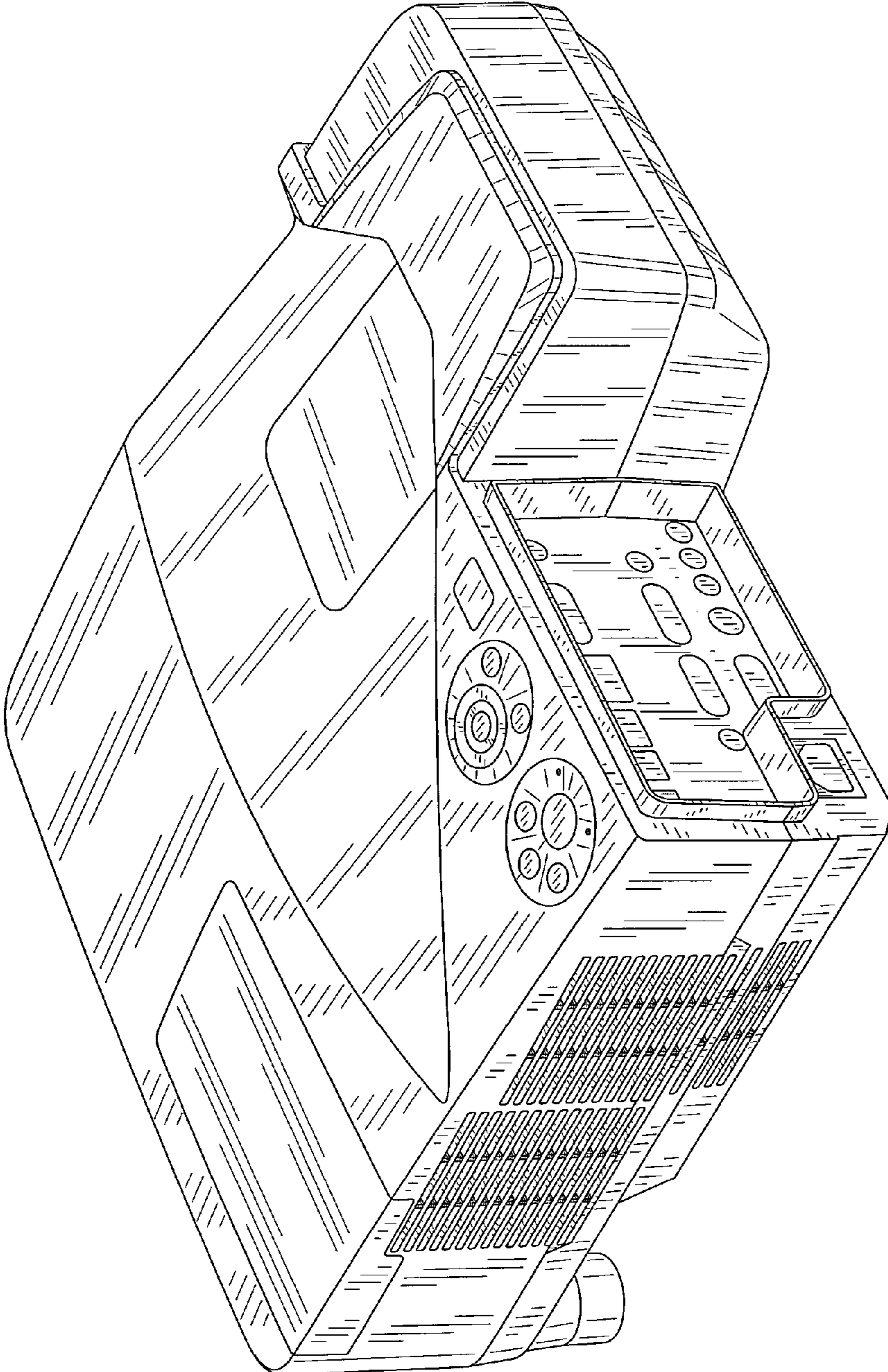


FIG. 9