



US00D691648S

(12) **United States Design Patent**
Kawaguchi et al.

(10) **Patent No.:** **US D691,648 S**

(45) **Date of Patent:** **** Oct. 15, 2013**

(54) **PROJECTOR**

(75) Inventors: **Yuta Kawaguchi**, Funabashi (JP);
Atsushi Ishibashi, Tokorozawa (JP);
Yoshihiro Iwama, Kokubunji (JP);
Daichi Hotta, Chigasaki (JP)

(73) Assignee: **Hitachi Consumer Electronics Co., Ltd.**, Tokyo (JP)

(**) Term: **14 Years**

(21) Appl. No.: **29/425,246**

(22) Filed: **Jun. 21, 2012**

(30) **Foreign Application Priority Data**

Jan. 30, 2012 (JP) 2012-001750

(51) **LOC (9) Cl.** **16-02**

(52) **U.S. Cl.**
USPC **D16/230; D16/225**

(58) **Field of Classification Search**
USPC D16/221, 225, 230–231, 234; D21/514;
353/115, 119, 122

See application file for complete search history.

(56) **References Cited**

U.S. PATENT DOCUMENTS

| | | | |
|--------------|---------|-----------------------|---------|
| D457,179 S * | 5/2002 | Saeki et al. | D16/230 |
| D527,407 S * | 8/2006 | Kawasaki et al. | D16/230 |
| D574,875 S * | 8/2008 | Sakamaki et al. | D16/230 |
| D627,387 S * | 11/2010 | Kawaguchi et al. | D16/230 |
| D636,426 S * | 4/2011 | Kawaguchi et al. | D16/230 |
| D639,331 S * | 6/2011 | Kawaguchi et al. | D16/230 |
| D663,346 S * | 7/2012 | Fujikawa et al. | D16/230 |

* cited by examiner

Primary Examiner — Wan Laymon

(74) *Attorney, Agent, or Firm* — Antonelli, Terry, Stout & Kraus, LLP.

(57) **CLAIM**

We claim the ornamental design for a projector, as shown and described.

DESCRIPTION

FIG. 1 is a front, top and right side perspective view of a projector showing our new design;

FIG. 2 is a front elevational view thereof;

FIG. 3 is a rear elevational view thereof;

FIG. 4 is a left side elevational view thereof;

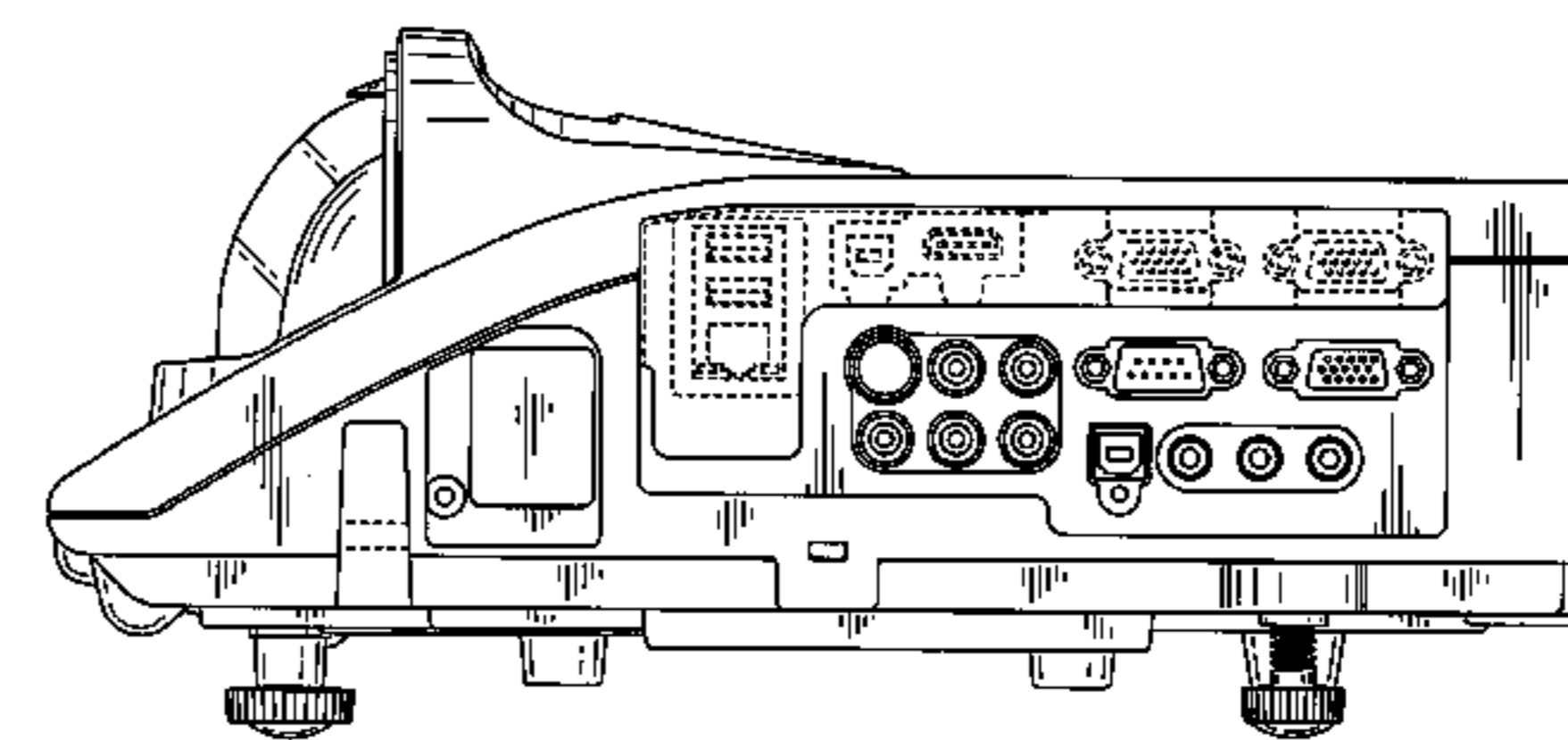
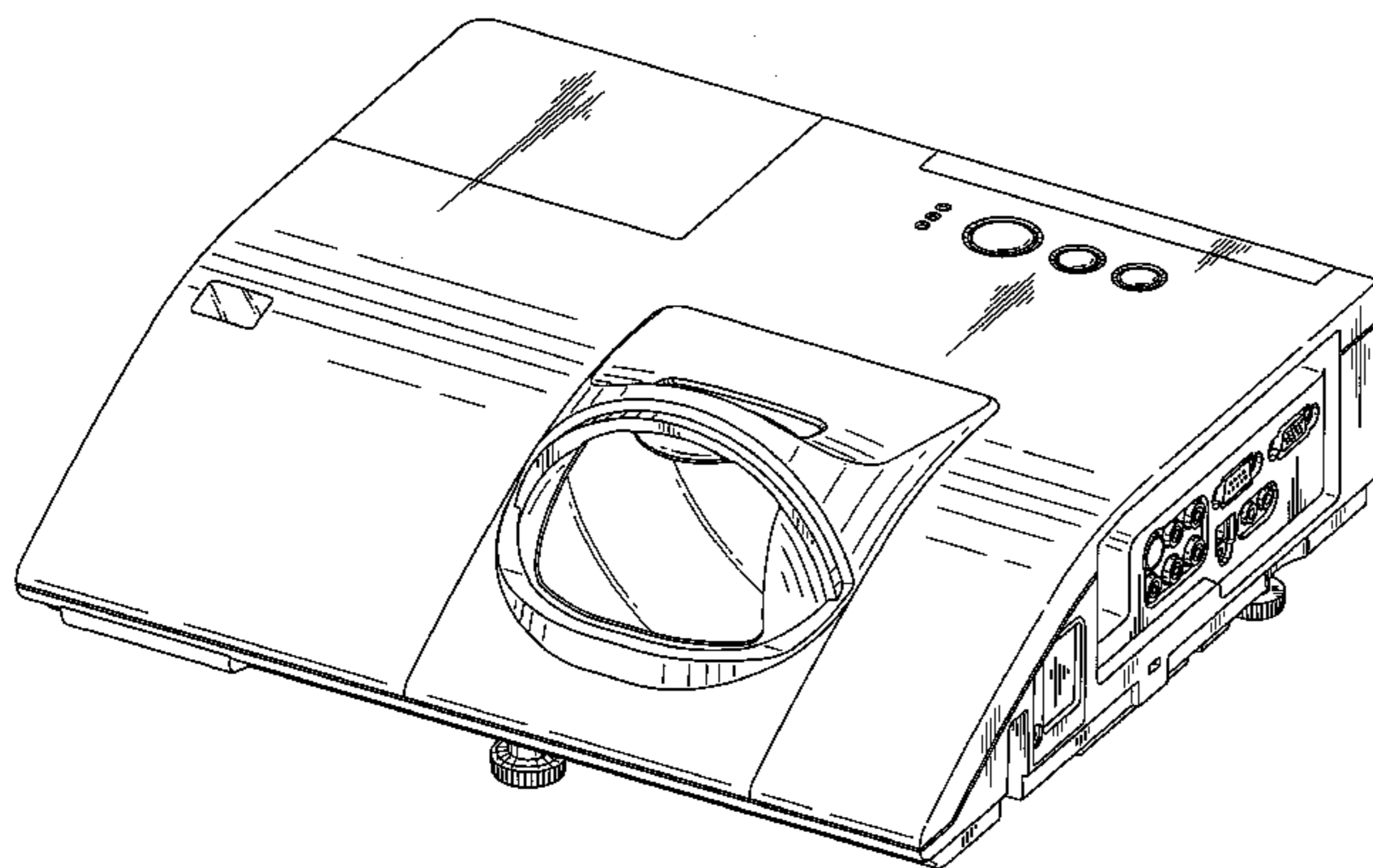
FIG. 5 is a right side elevational view thereof;

FIG. 6 is a top plan view thereof; and,

FIG. 7 is a bottom plan view thereof.

The broken lines shown in the figures represent portions of the projector that form no part of the claimed design.

1 Claim, 7 Drawing Sheets



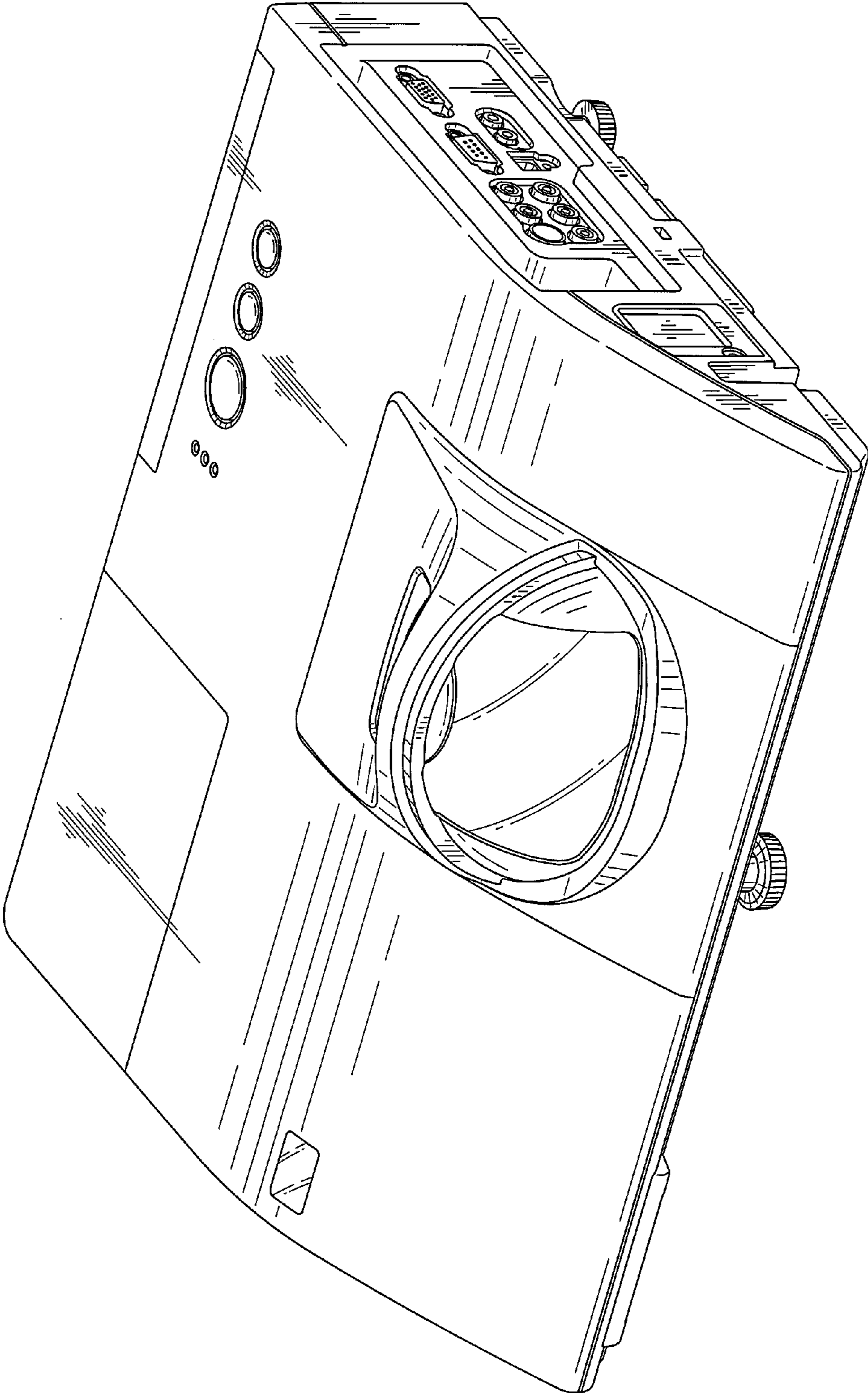


FIG. 1

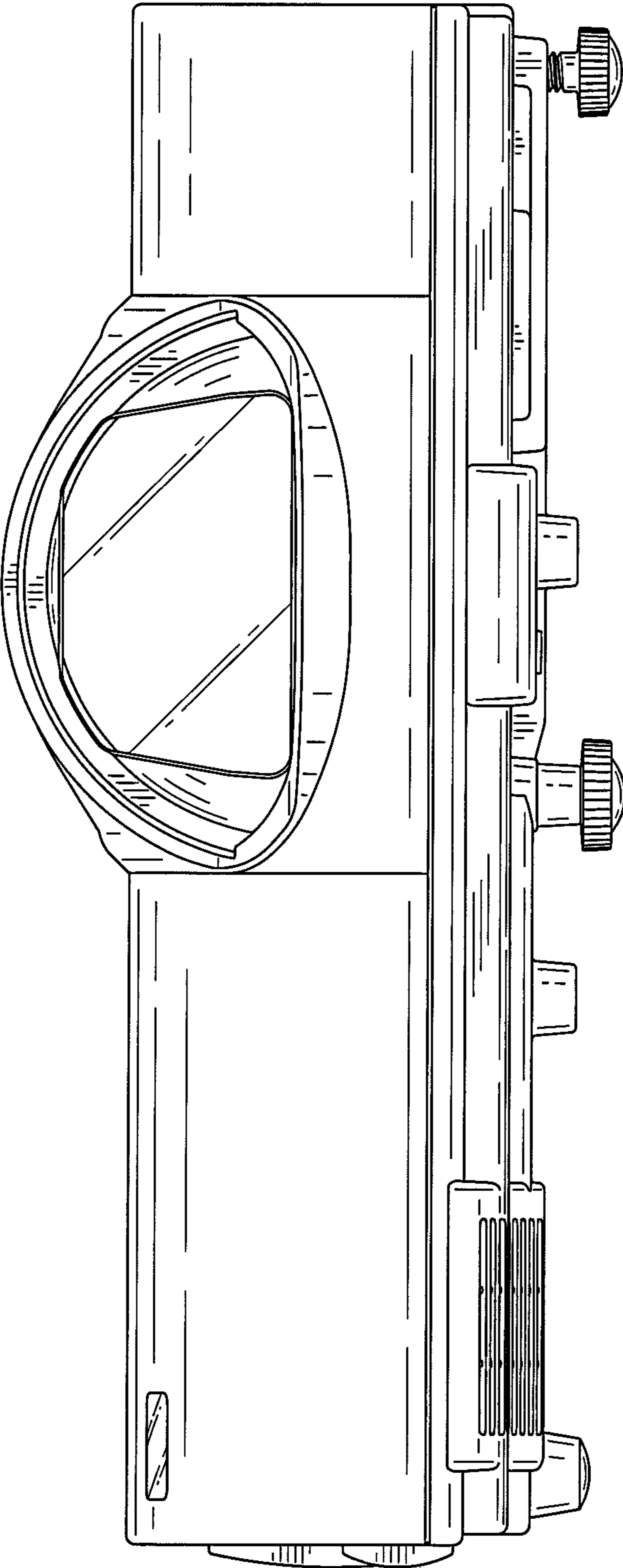


FIG. 2

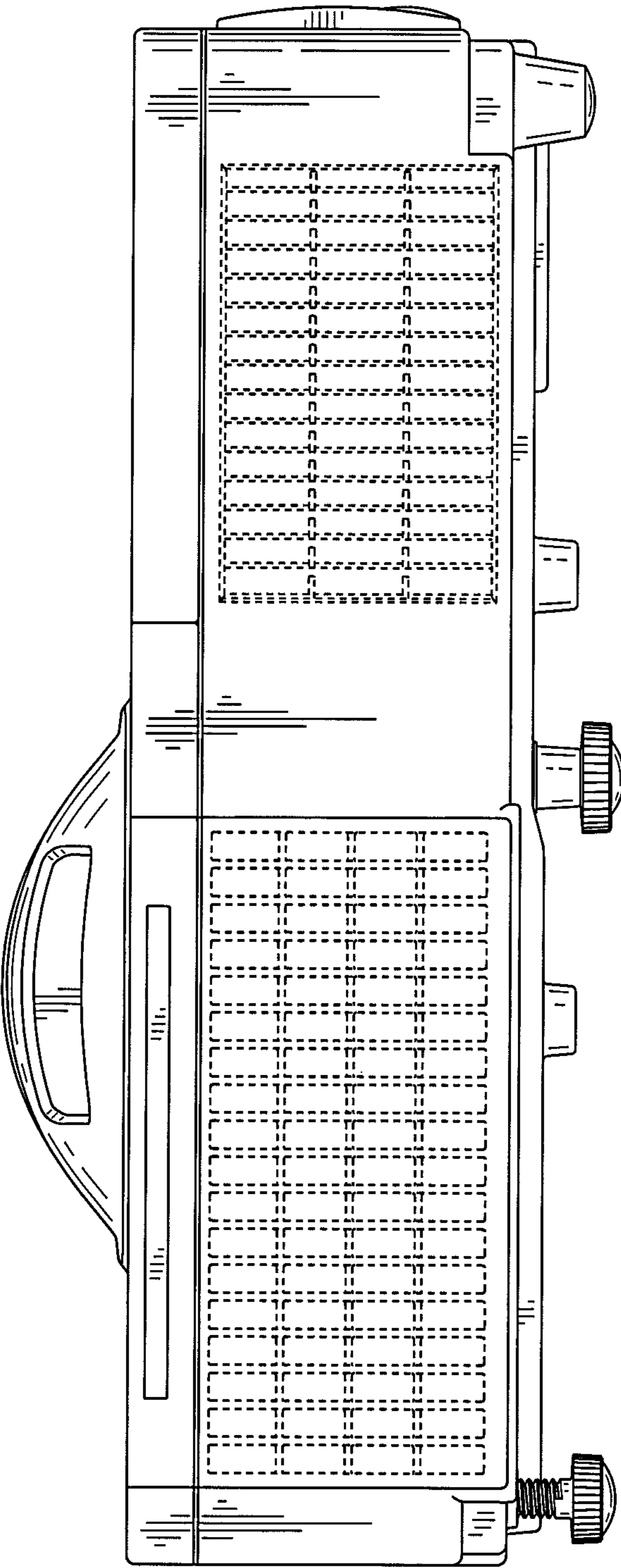


FIG. 3

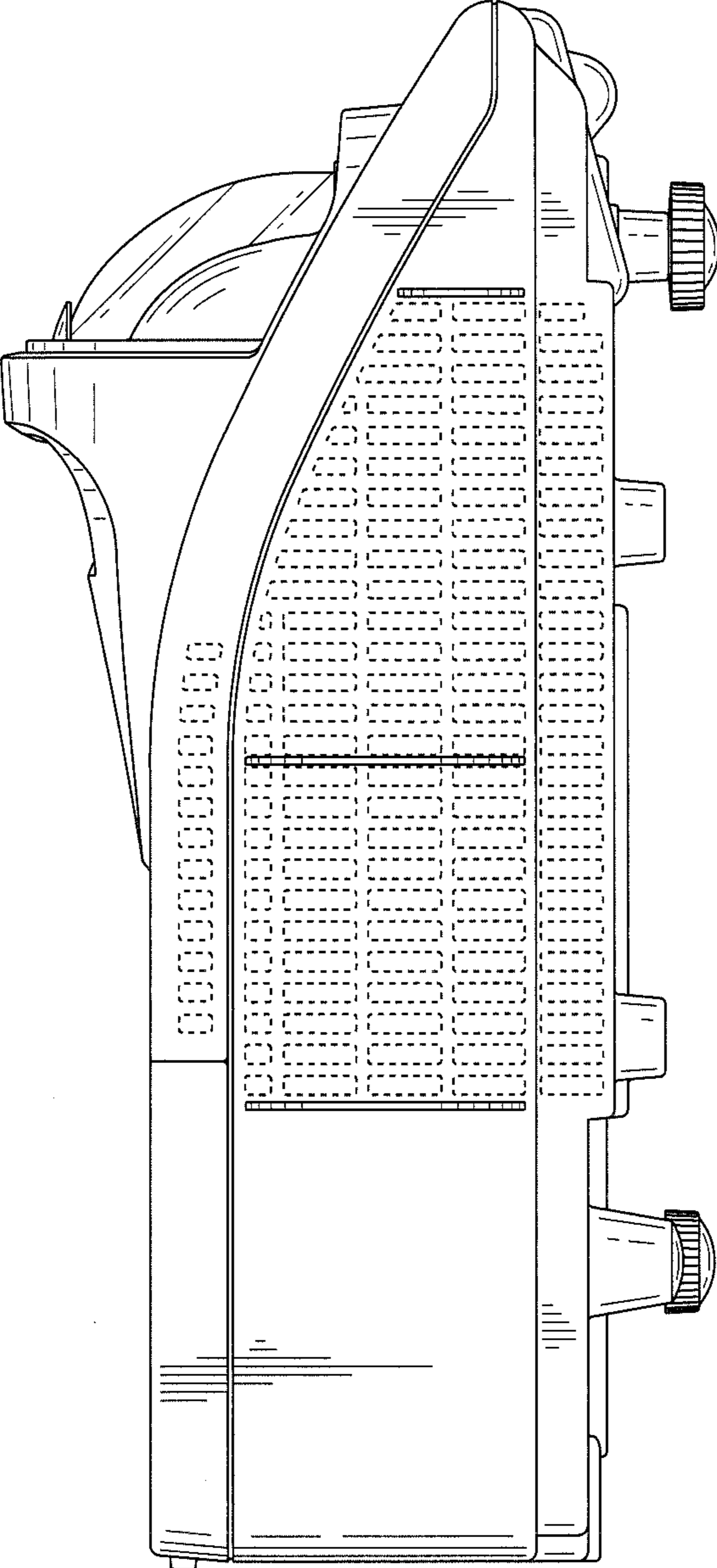


FIG. 4

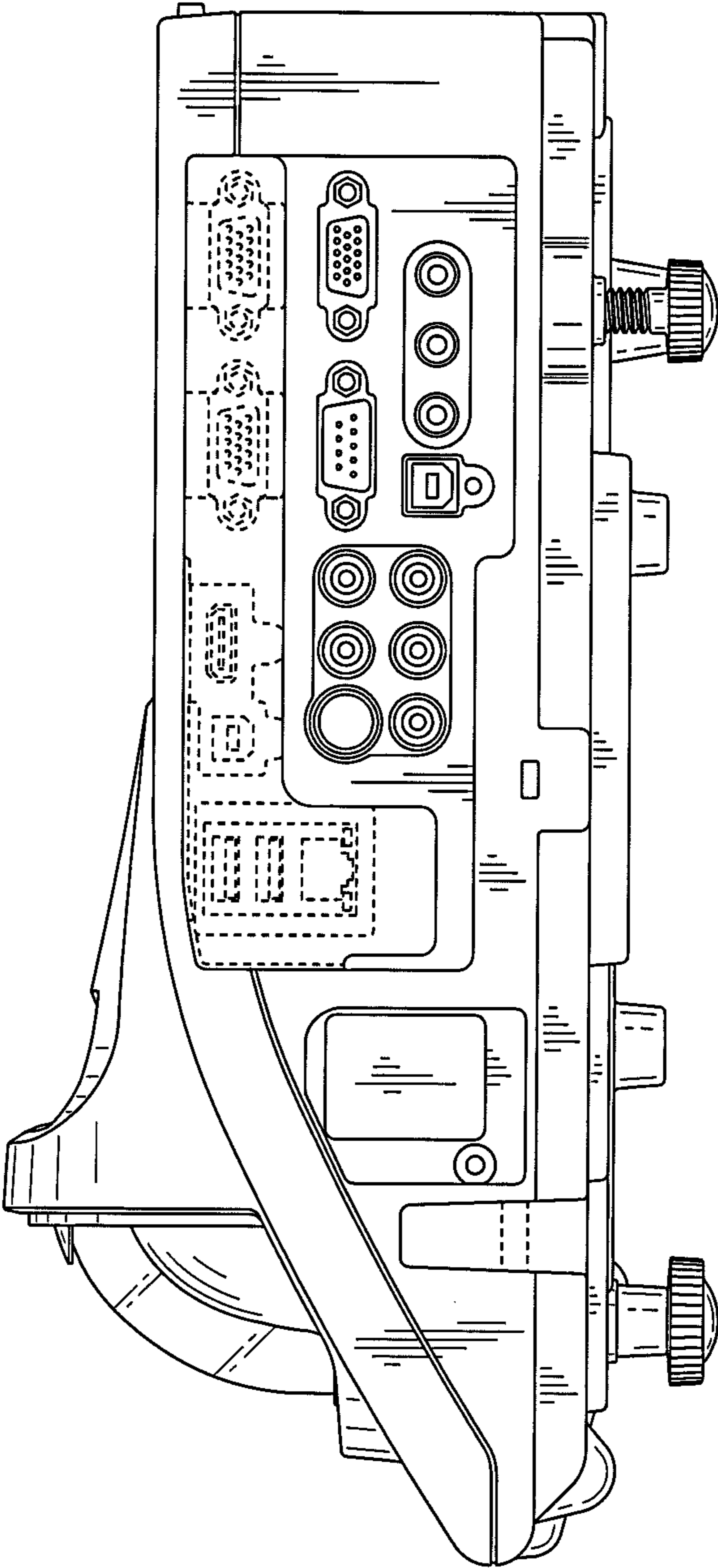


FIG. 5

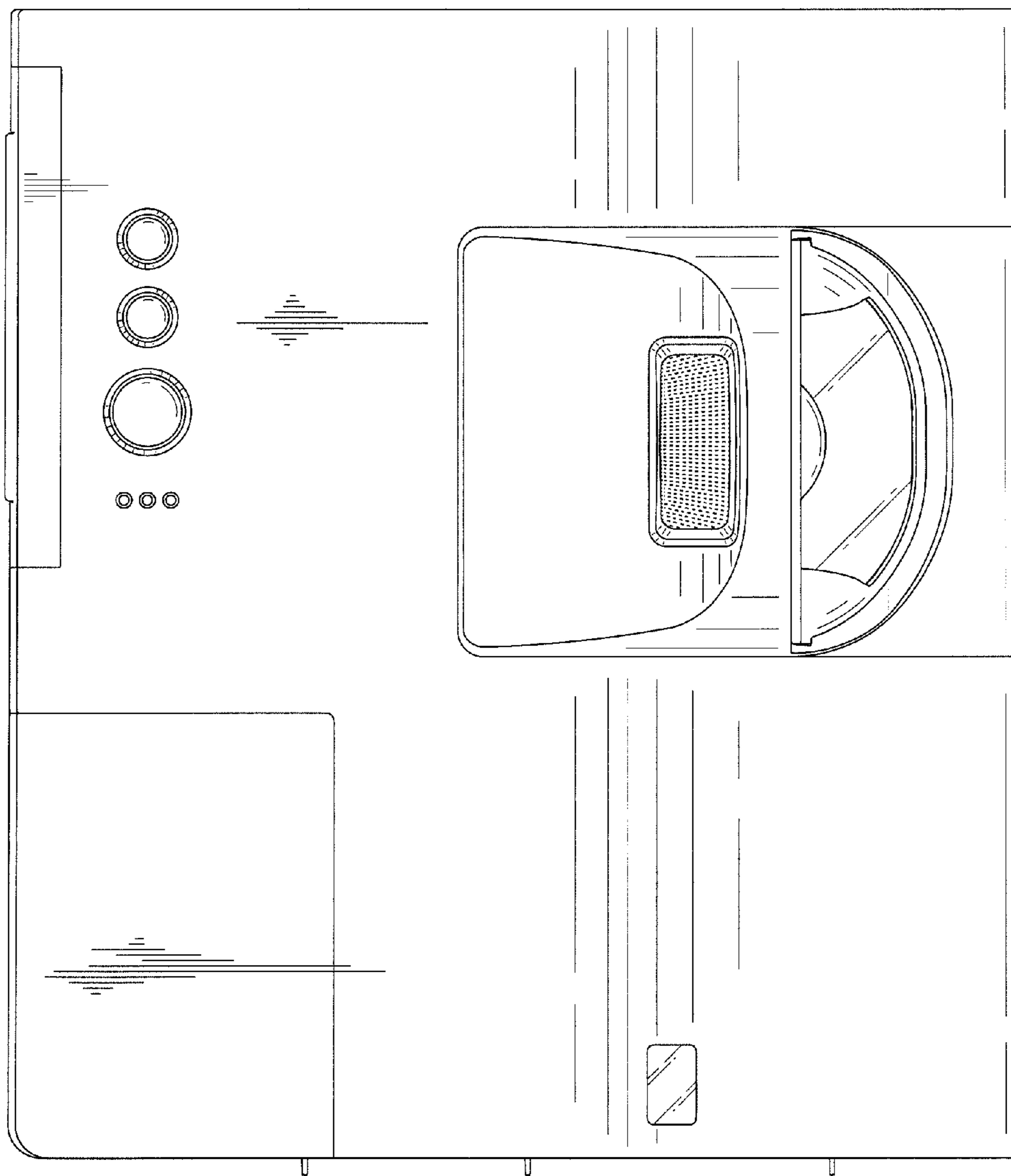


FIG. 6

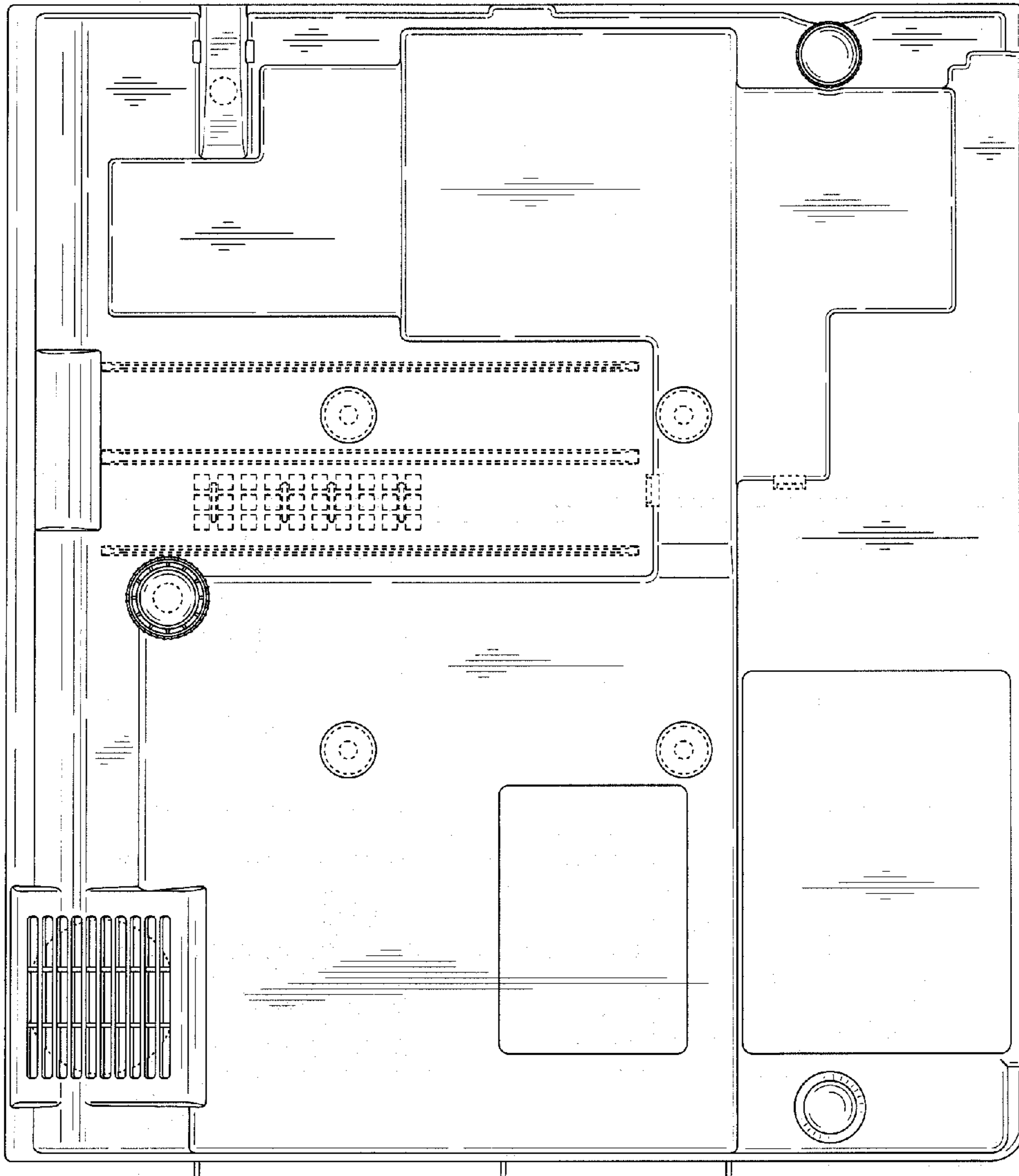


FIG. 7