

US00D691647S

(12) **United States Design Patent**  
**Ye**

(10) **Patent No.:** **US D691,647 S**

(45) **Date of Patent:** **\*\* Oct. 15, 2013**

(54) **HUNTING CAMERA**

(75) Inventor: **Xiaowu Ye**, Ningbo (CN)

(73) Assignee: **Ningbo Sanejoy Electrical Appliance Co., Ltd.**, Ningbo, Zhejiang Province (CN)

(\*\*) Term: **14 Years**

(21) Appl. No.: **29/410,162**

(22) Filed: **Jan. 5, 2012**

(51) **LOC (9) Cl.** ..... **16-01**

(52) **U.S. Cl.**  
USPC ..... **D16/218**; D16/203

(58) **Field of Classification Search**  
USPC ..... D16/200–204, 208, 218; 348/143,  
348/373–376; 396/427, 535–541  
See application file for complete search history.

(56) **References Cited**

U.S. PATENT DOCUMENTS

6,449,431	B1 *	9/2002	Cuddeback et al.	.....	396/427
7,471,334	B1 *	12/2008	Stenger	.....	348/373
7,534,056	B2 *	5/2009	Cross et al.	.....	396/427
D616,009	S *	5/2010	Schnell	.....	D16/218

D622,749	S *	8/2010	Lian	.....	D16/203
D628,224	S *	11/2010	Barley et al.	.....	D16/203
D630,236	S *	1/2011	Lian	.....	D16/203
D638,047	S *	5/2011	Lian	.....	D16/203
D655,736	S *	3/2012	Barley et al.	.....	D16/218

\* cited by examiner

*Primary Examiner* — Adir Aronovich

(57) **CLAIM**

The ornamental design for a hunting camera, as shown and described.

**DESCRIPTION**

FIG. 1 is a perspective view of a hunting camera, showing my new design.

FIG. 2 is a front elevation view thereof.

FIG. 3 is a rear elevation view thereof.

FIG. 4 is a left side elevation view thereof.

FIG. 5 is a right side elevation view thereof.

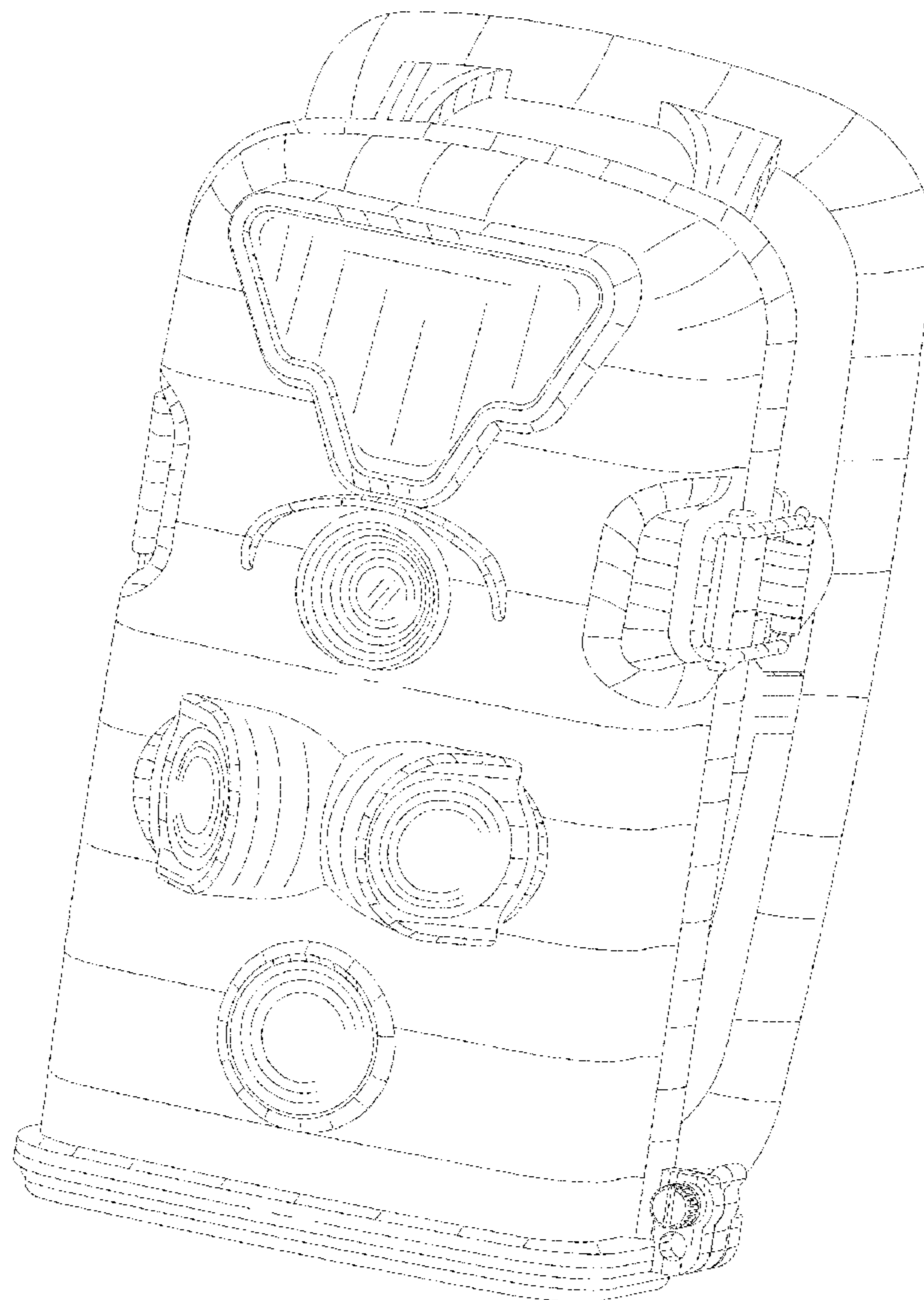
FIG. 6 is a top plan thereof.

FIG. 7 is a bottom plan view thereof.

FIG. 8 is a rear perspective view thereof, shown in partially opened position; and,

FIG. 9 is a bottom plan view thereof, shown in fully opened position.

**1 Claim, 9 Drawing Sheets**



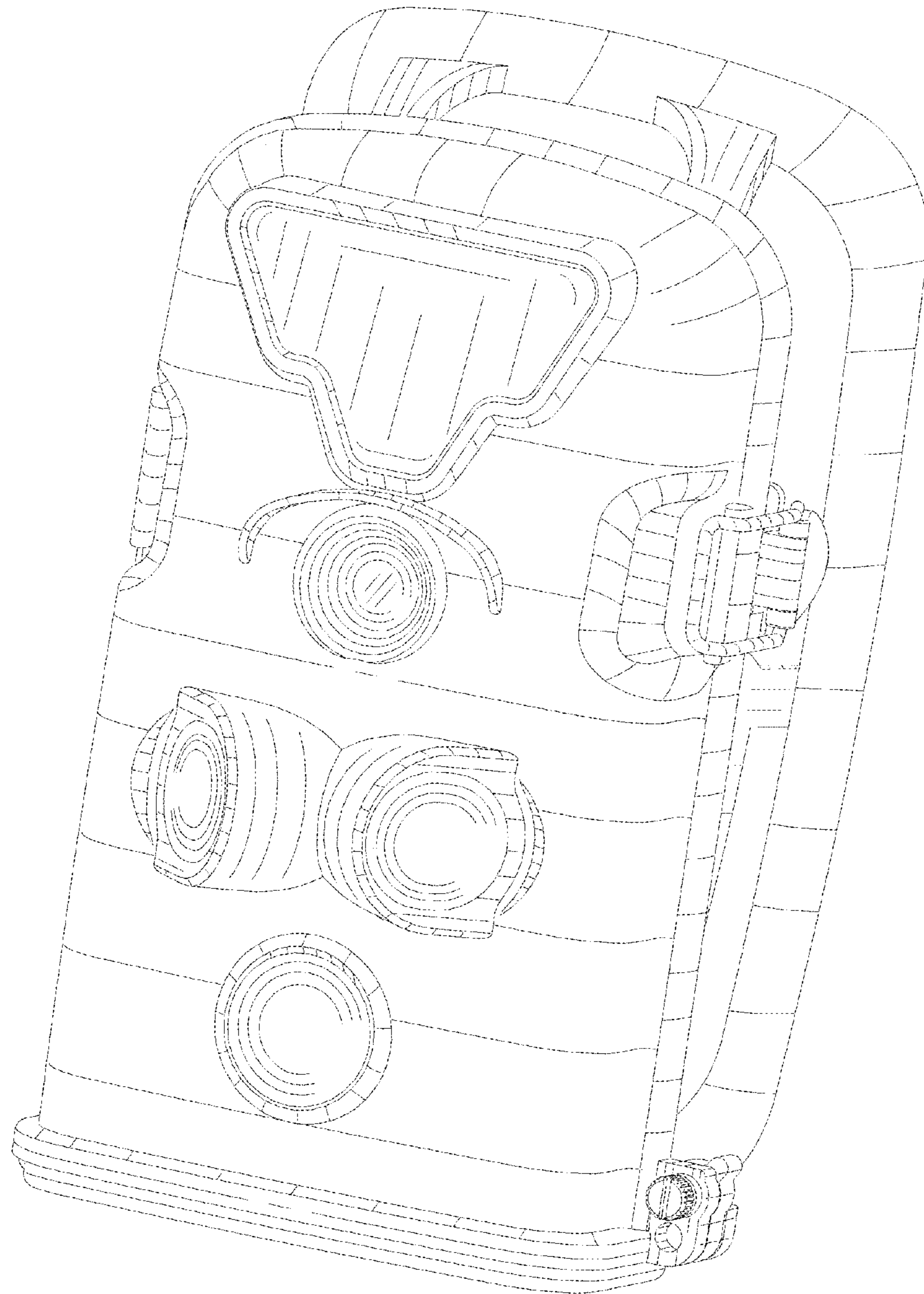


Fig. 1

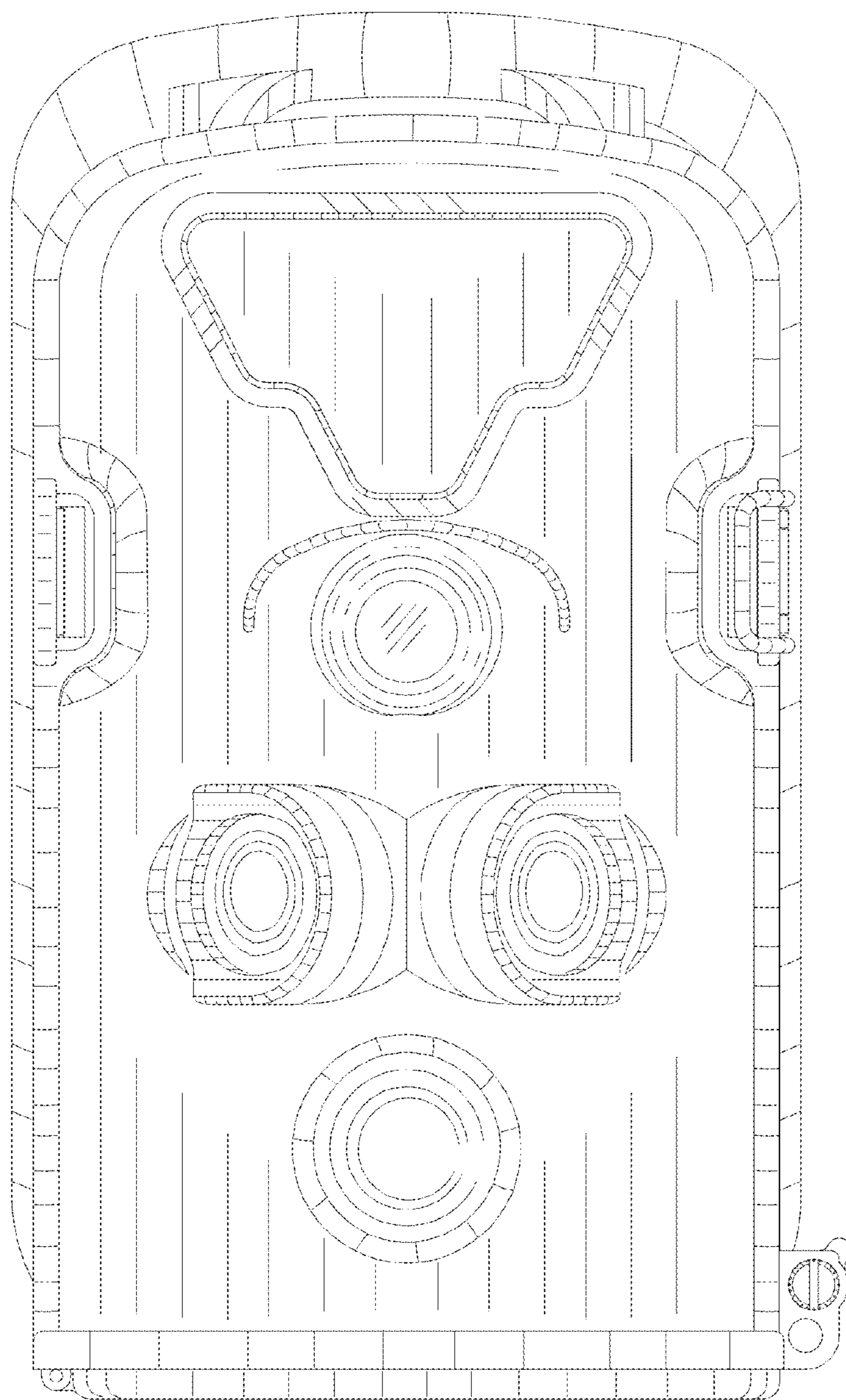


Fig. 2

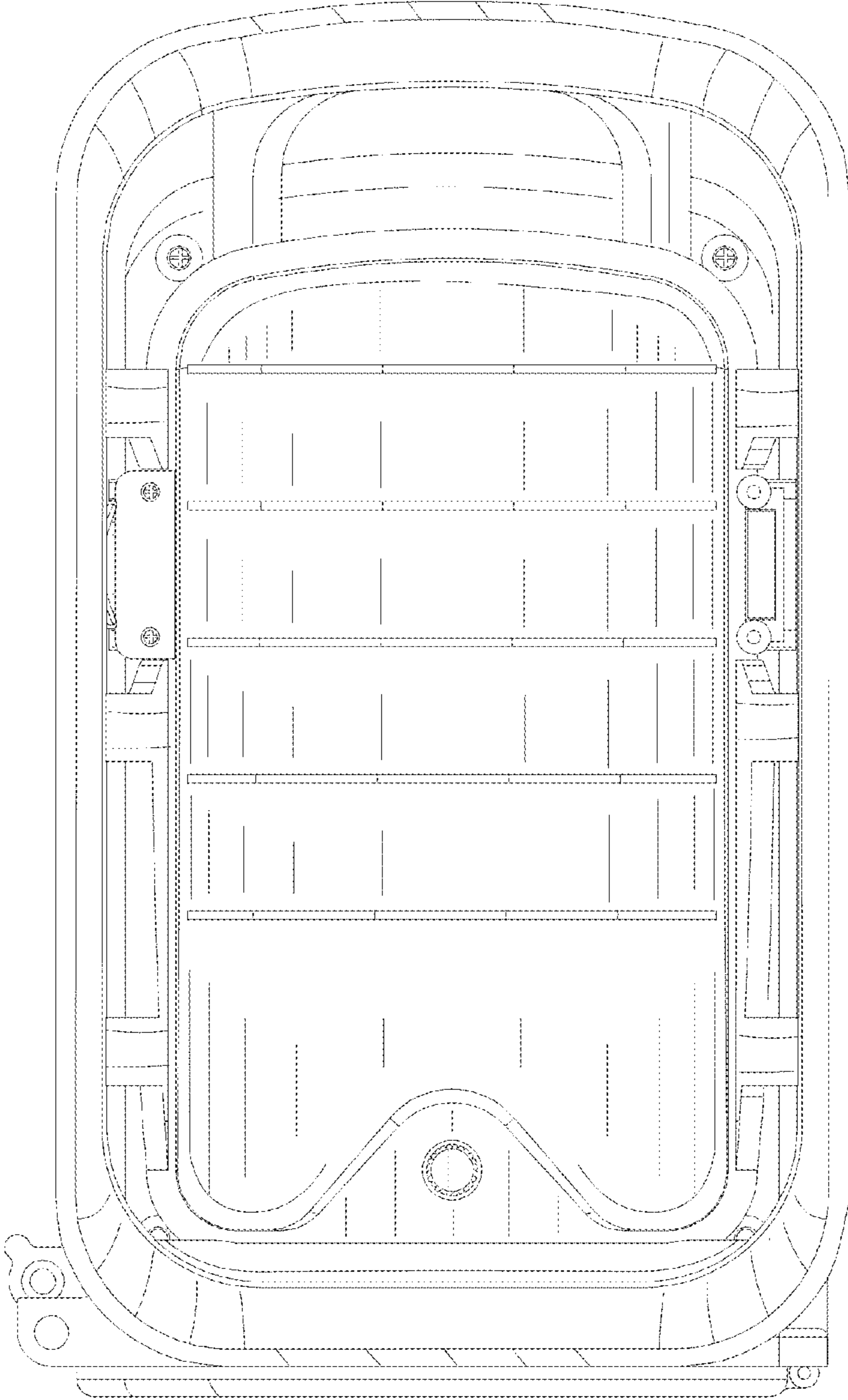


FIG. 3



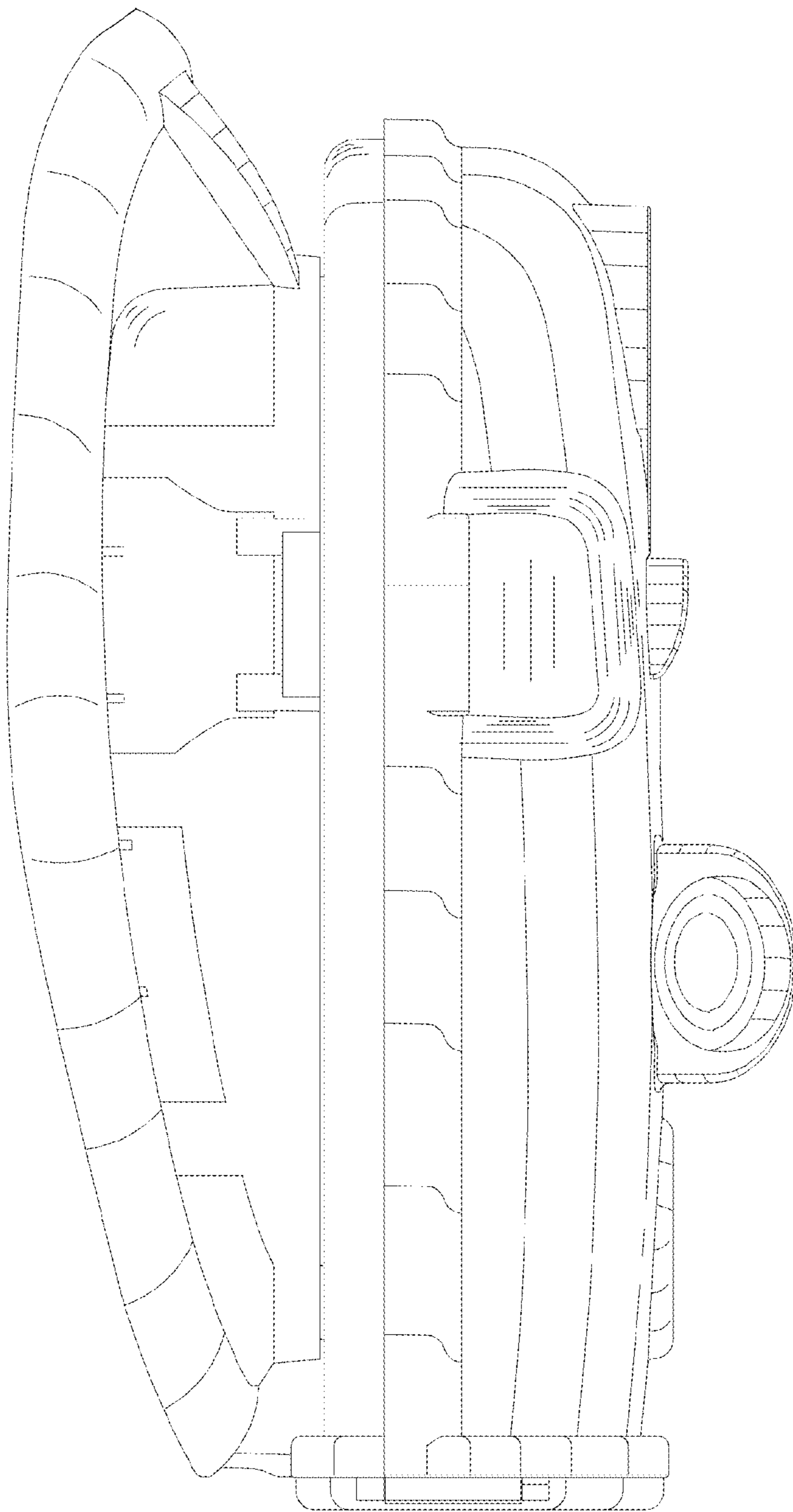


Fig. 4

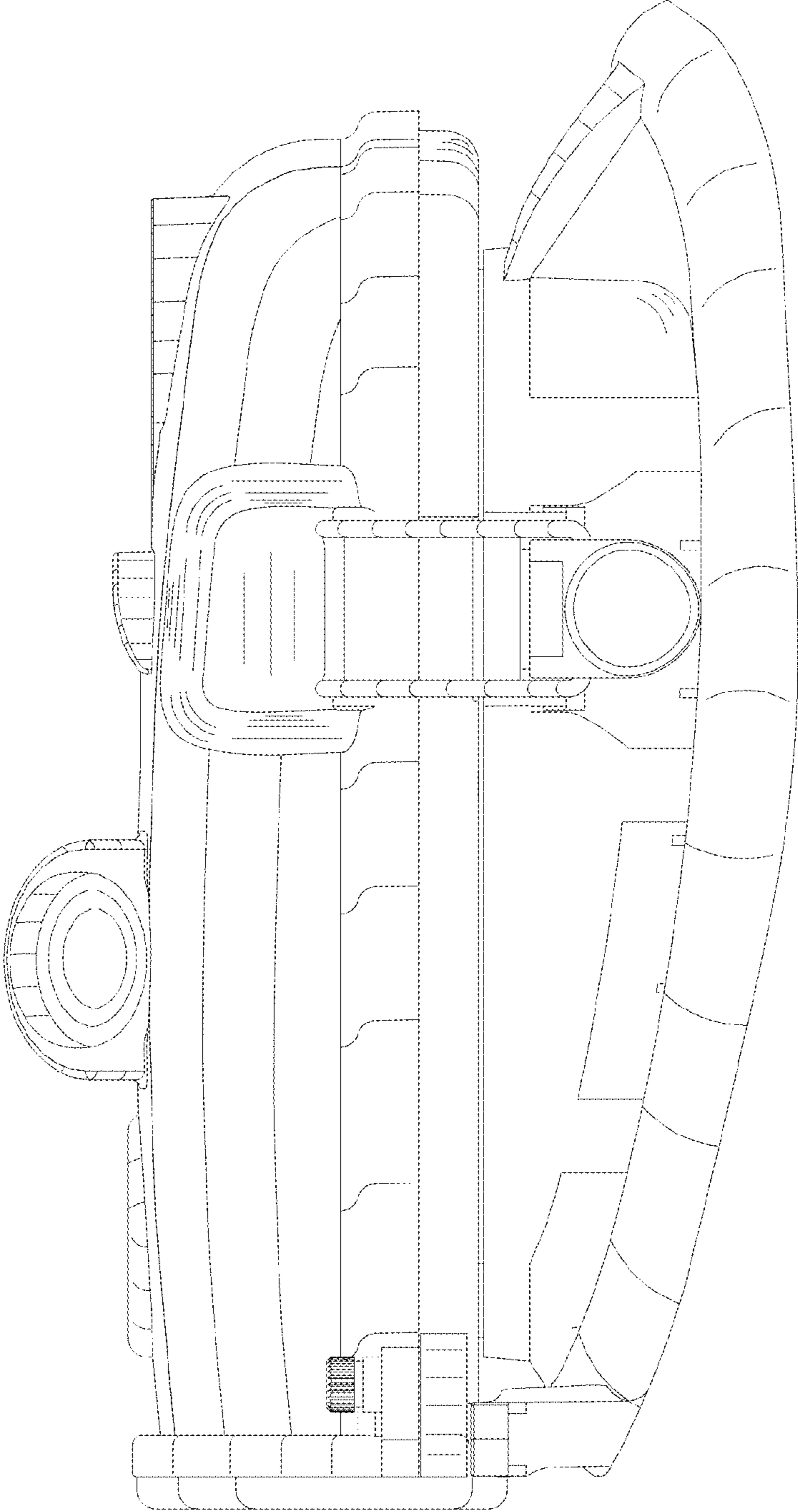


Fig. 5

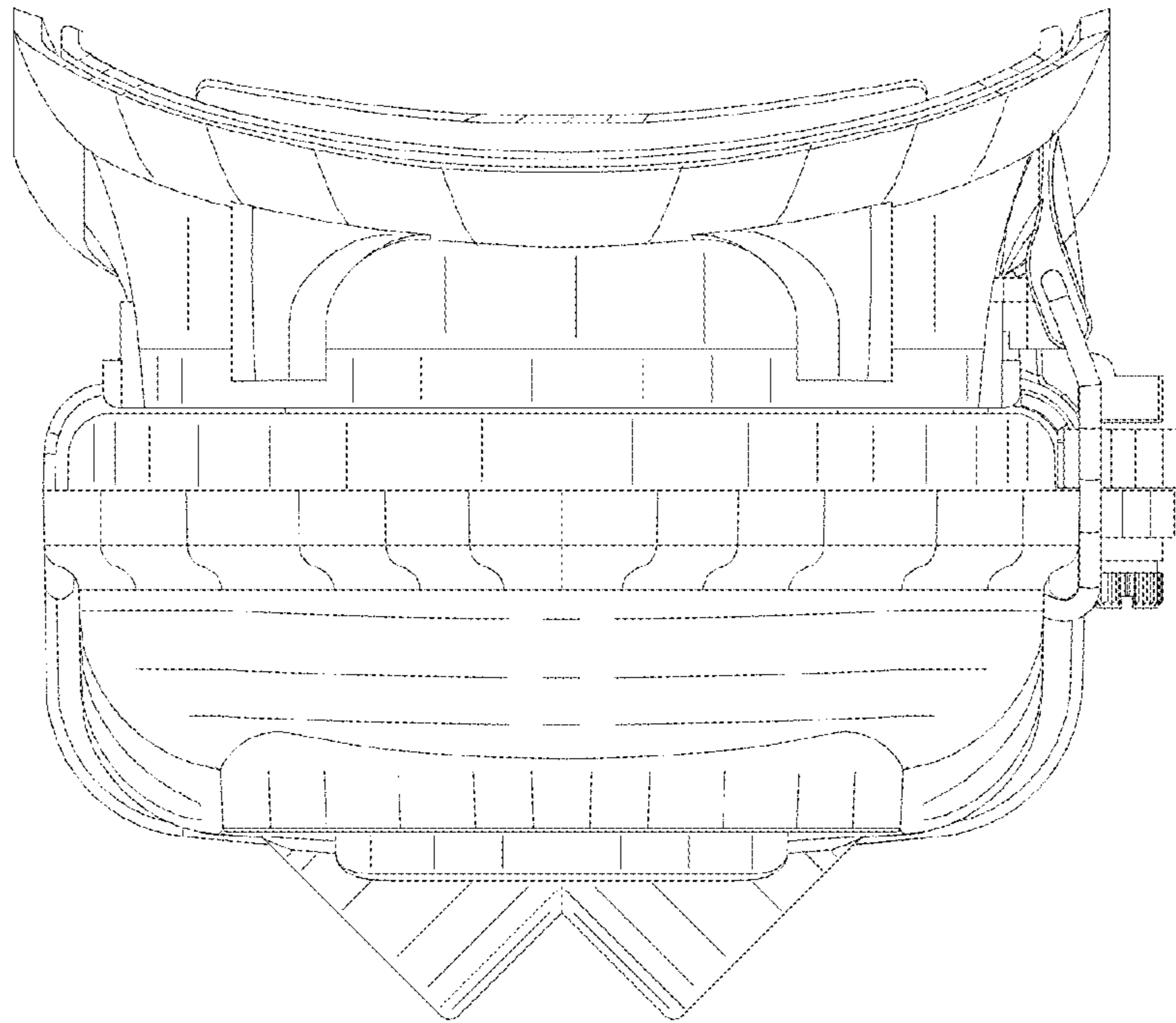


Fig. 6

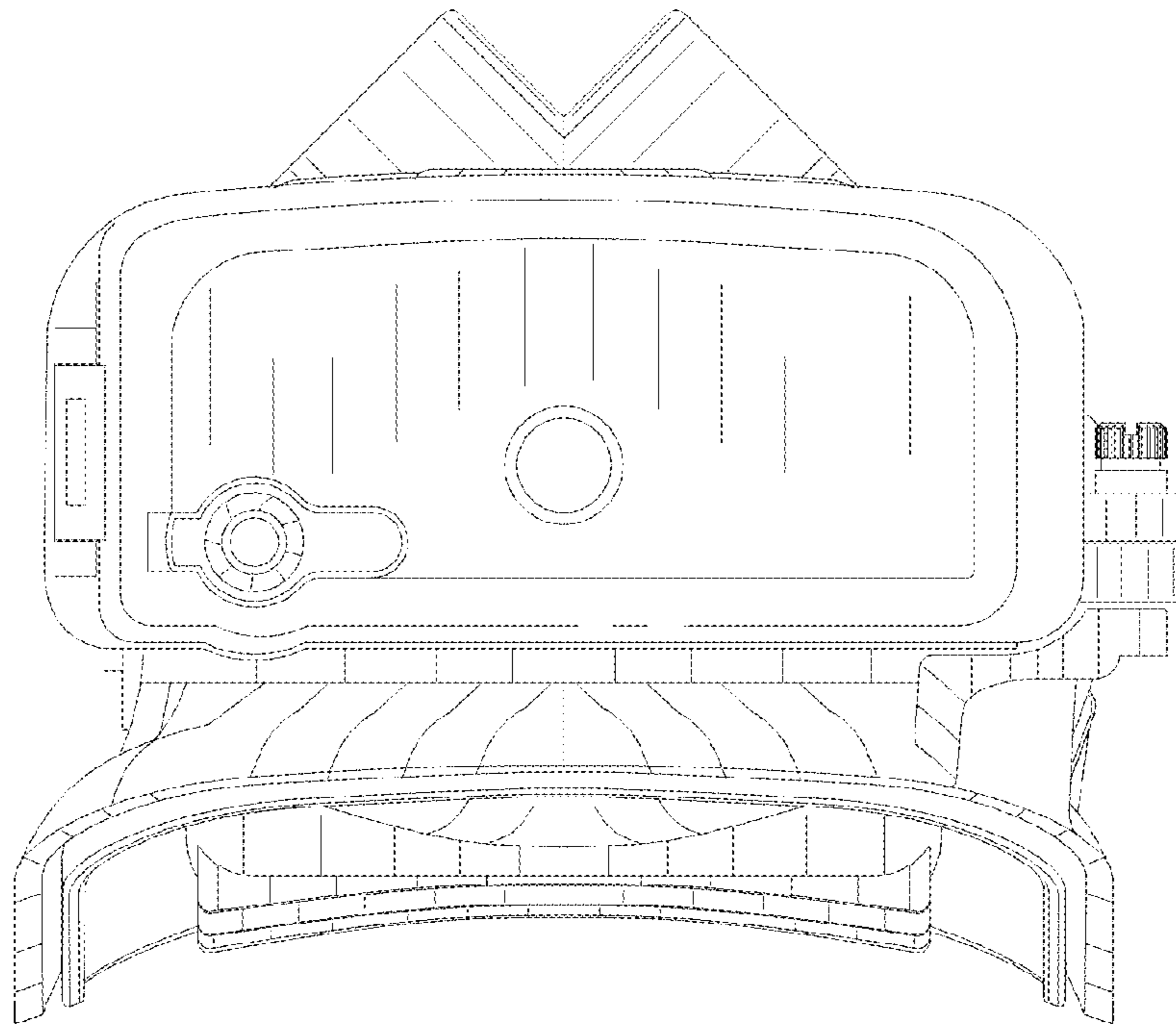


Fig. 7



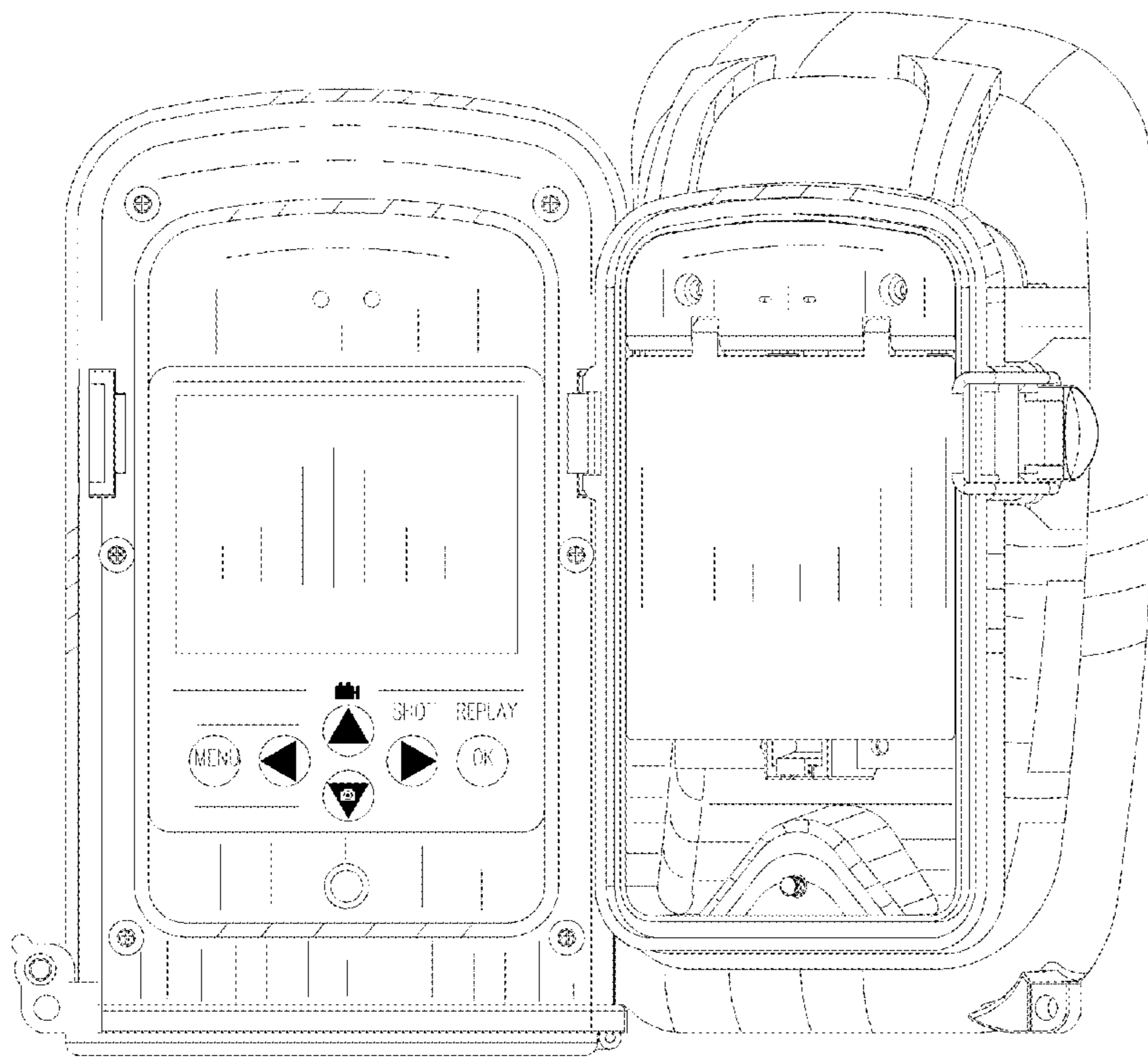


Fig. 8

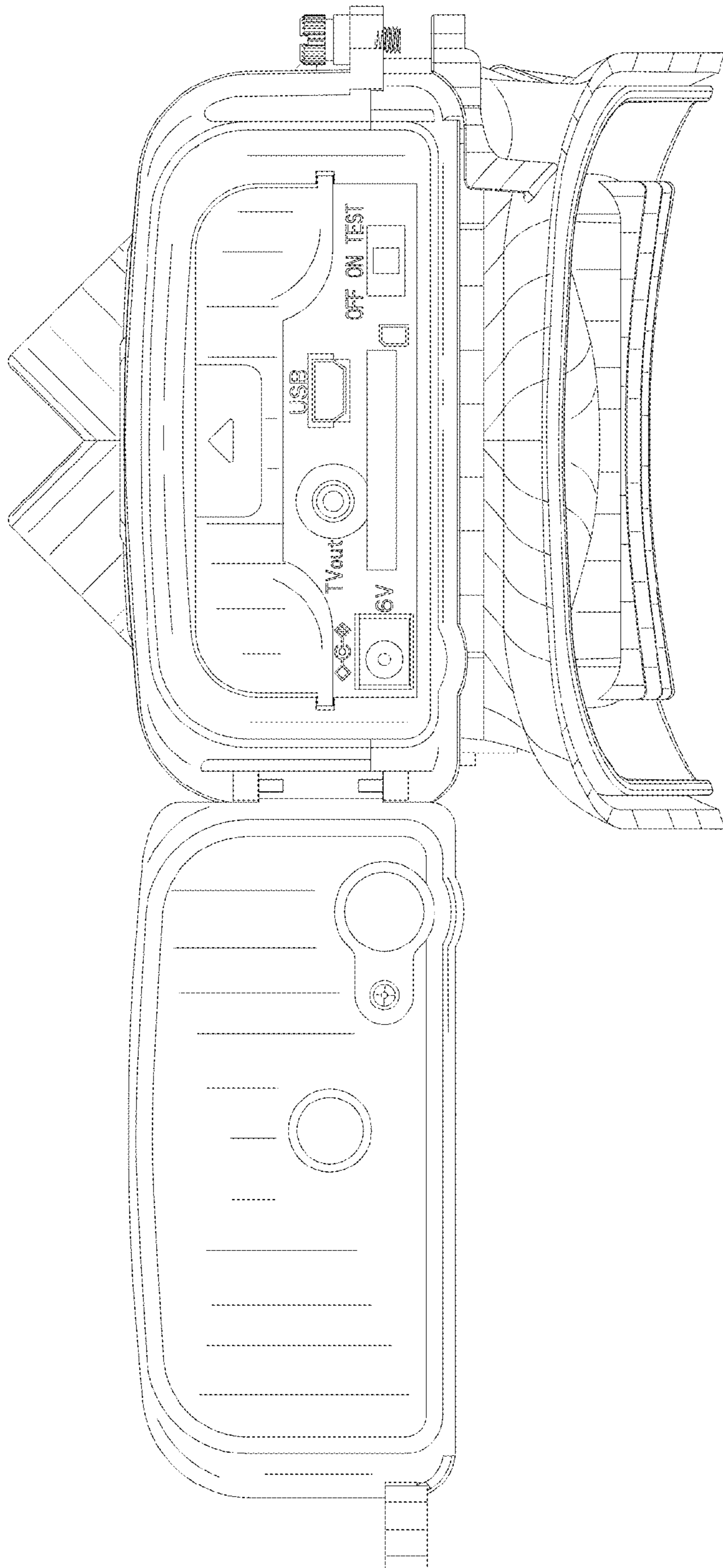


FIG. 9