

US00D691646S

(12) **United States Design Patent**
Bergström et al.

(10) **Patent No.:** **US D691,646 S**

(45) **Date of Patent:** **** Oct. 15, 2013**

(54) **CAMERA**

(75) Inventors: **Morten Bergström**, Bjärred (SE);
Carl-Axel Alm, Lund (SE); **Mathias**
Walter, Arlööv (SE); **Jan Ryzak**, Malmö
(SE); **Henrik Persson**, Lund (SE)

(73) Assignee: **Axis AB**, Lund (SE)

(**) Term: **14 Years**

(21) Appl. No.: **29/418,664**

(22) Filed: **Apr. 19, 2012**

(30) **Foreign Application Priority Data**

Oct. 19, 2011 (EM) 001298327-0001
Oct. 19, 2011 (EM) 001298327-0002

(51) **LOC (9) Cl.** **16-01**

(52) **U.S. Cl.**
USPC **D16/203**

(58) **Field of Classification Search**
USPC D16/200–205, 208, 218; 348/427,
348/373–376; 358/906; 396/535–541
See application file for complete search history.

(56) **References Cited**

U.S. PATENT DOCUMENTS

D227,504 S 6/1973 Lang
D269,513 S * 6/1983 Nagele D16/202
D277,961 S 3/1985 Shimizu et al.
D339,817 S 9/1993 Fukuda et al.
D390,858 S * 2/1998 Wen D16/202
D439,588 S 3/2001 Bergstrom et al.
D479,551 S 9/2003 Min et al.

6,683,654 B1 * 1/2004 Haijima 348/374
D489,386 S 5/2004 Lewellen et al.
D504,905 S 5/2005 Tullberg et al.
D518,843 S 4/2006 Tullberg et al.
D523,886 S 6/2006 Wen et al.
D527,404 S 8/2006 Brickzin
D528,143 S 9/2006 Walter et al.
D529,063 S * 9/2006 Cheng D16/203
D544,009 S 6/2007 Alm et al.
D544,515 S 6/2007 Walter et al.
D556,804 S * 12/2007 Ishida D16/203
D603,440 S 11/2009 Alm et al.
D603,887 S 11/2009 Alm et al.
D638,871 S * 5/2011 Bergstrom et al. D16/203
D672,382 S * 12/2012 Zeinoun et al. D16/203
2008/0111914 A1 * 5/2008 Takahashi et al. 348/373

* cited by examiner

Primary Examiner — Adir Aronovich

(74) *Attorney, Agent, or Firm* — Volpe and Koenig, P.C.

(57) **CLAIM**

The design for a camera, as shown and described.

DESCRIPTION

FIG. 1 is a top, front, right perspective view of a camera in accordance with our design;

FIG. 2 is a front elevational view thereof;

FIG. 3 is a rear elevational view thereof;

FIG. 4 is a top plan view thereof;

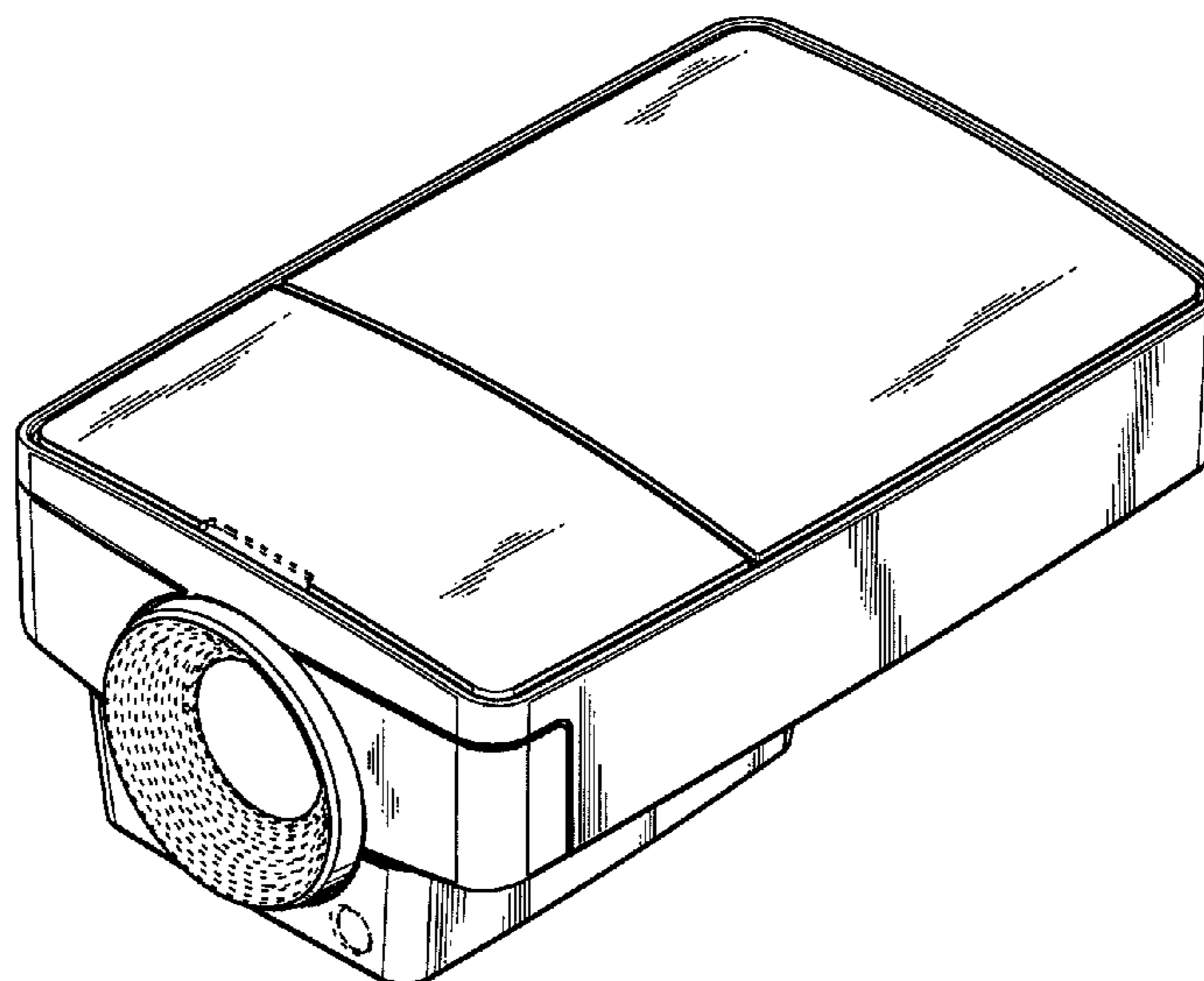
FIG. 5 is a right side elevational view thereof;

FIG. 6 is a bottom view thereof; and,

FIG. 7 is a left side elevational view thereof.

The portions of the camera in broken lines are shown for illustrative purposes only and form no part of the claimed design.

1 Claim, 4 Drawing Sheets



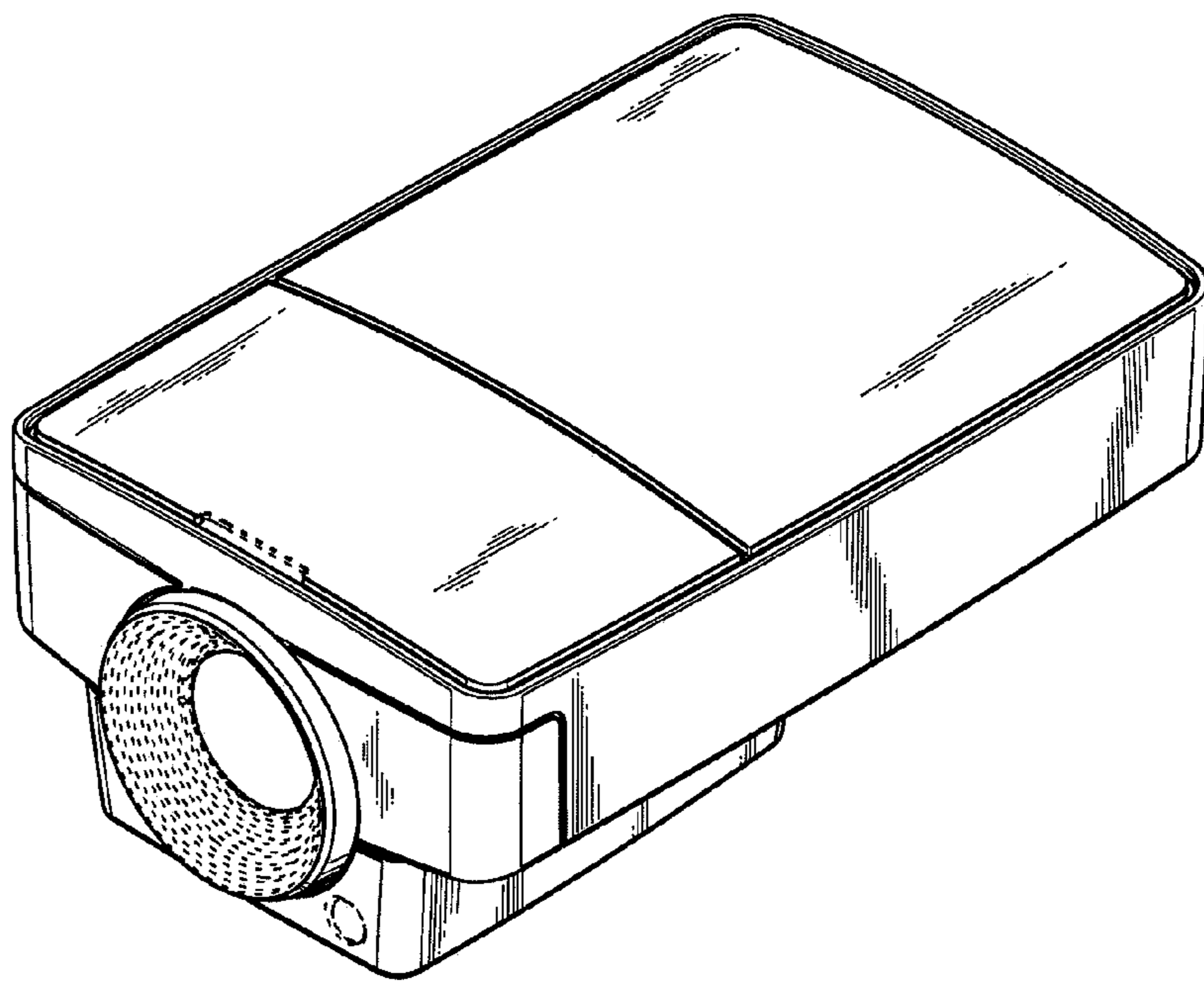


Figure 1

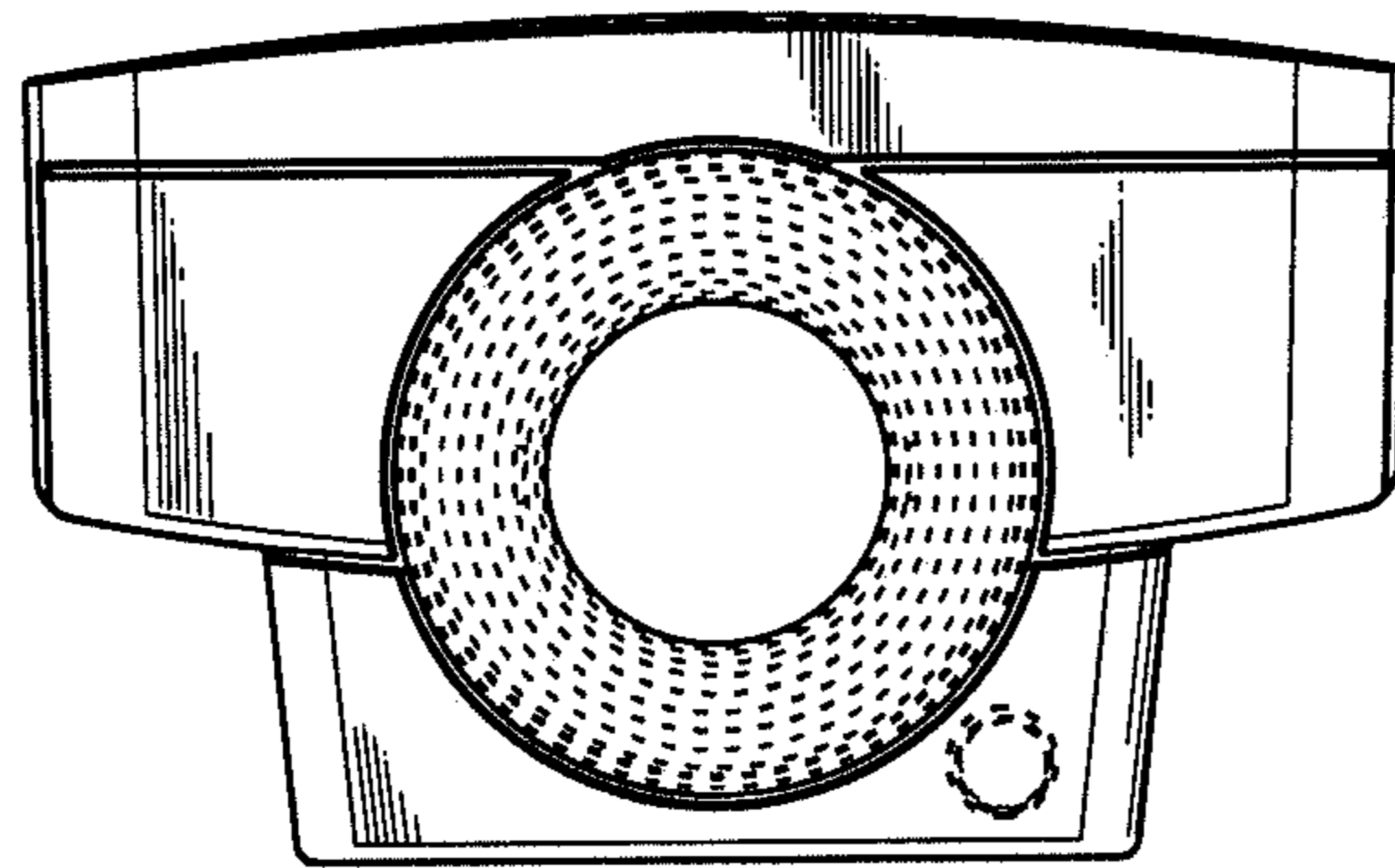


Figure 2

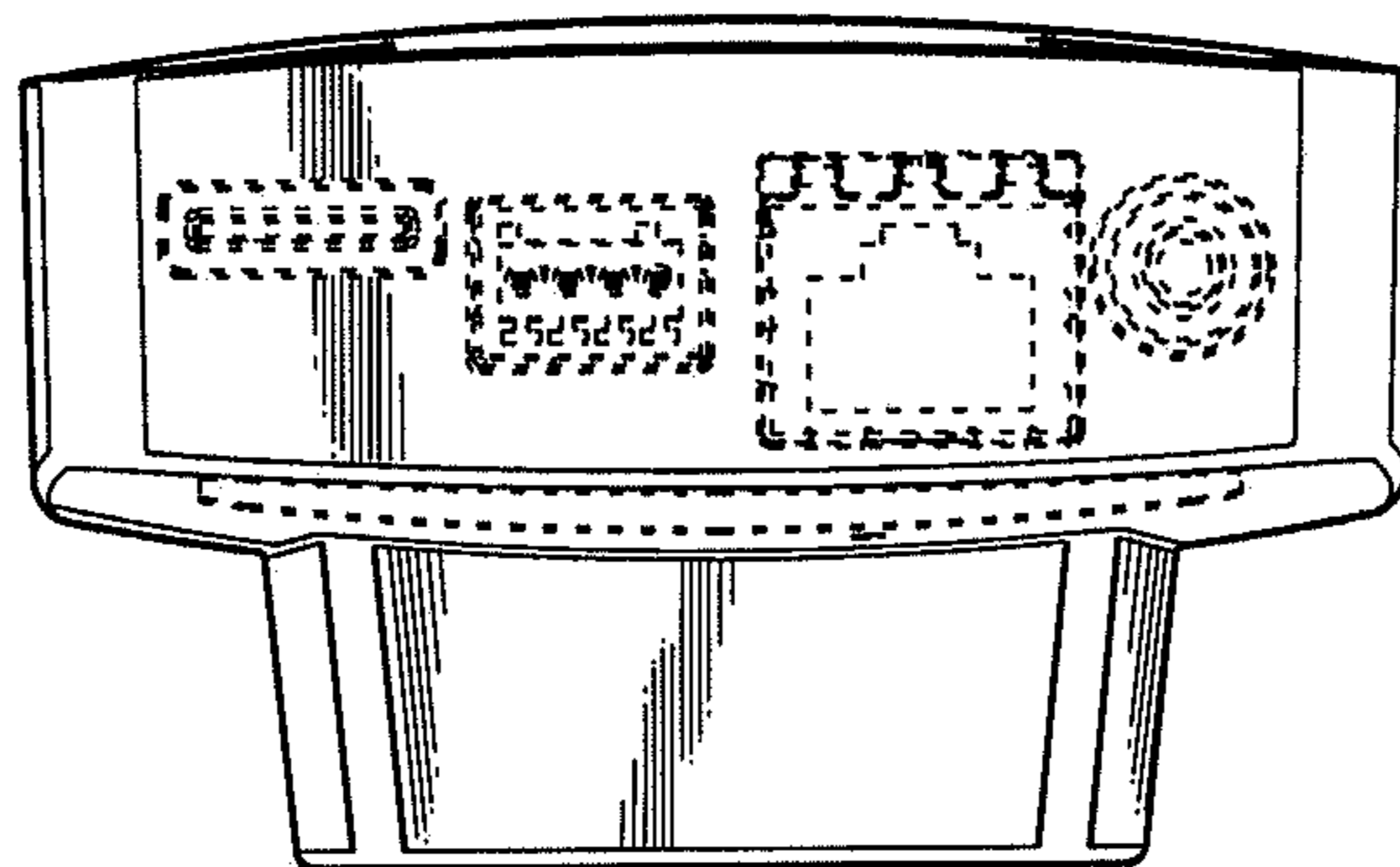


Figure 3

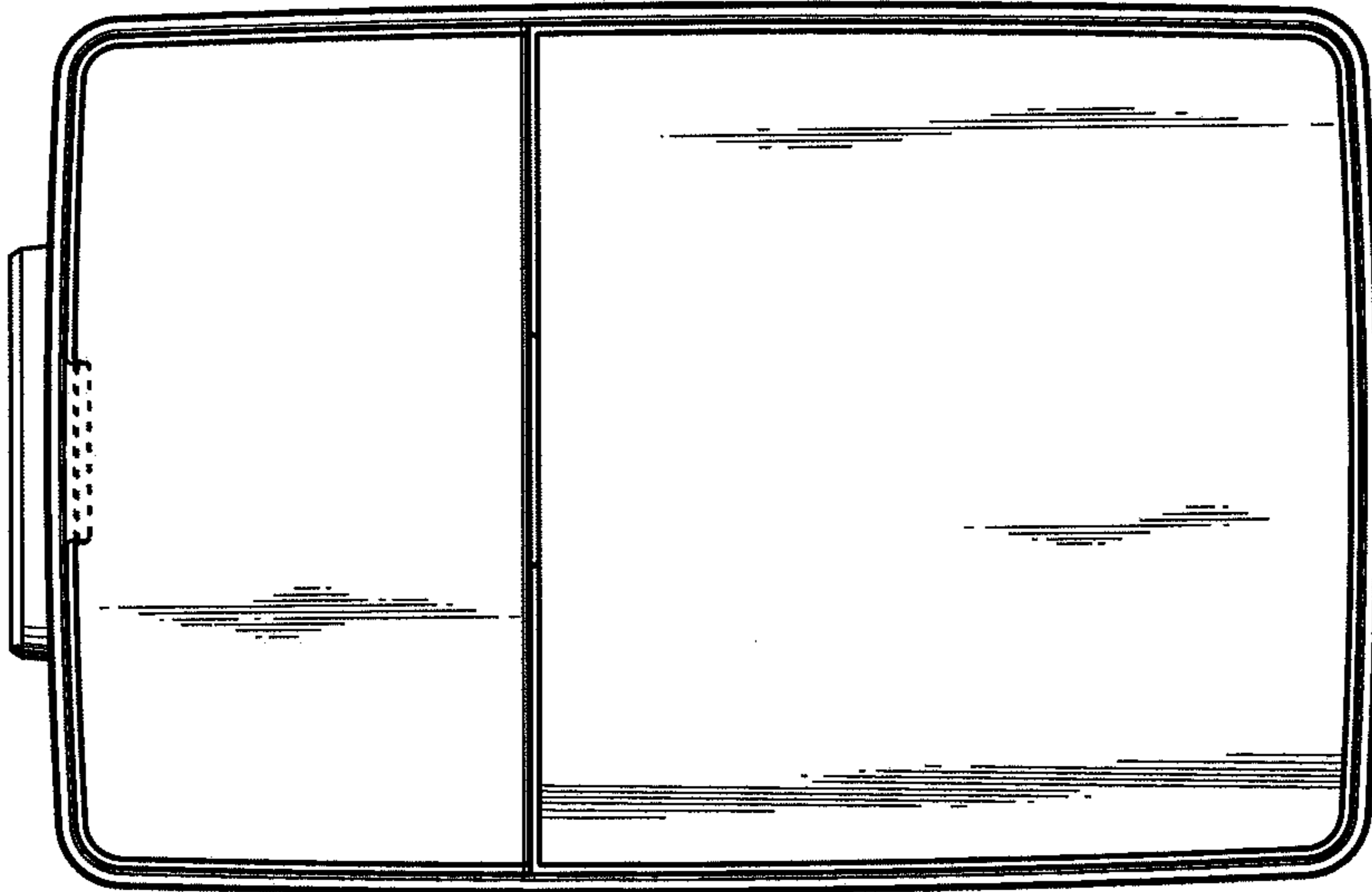


Figure 4

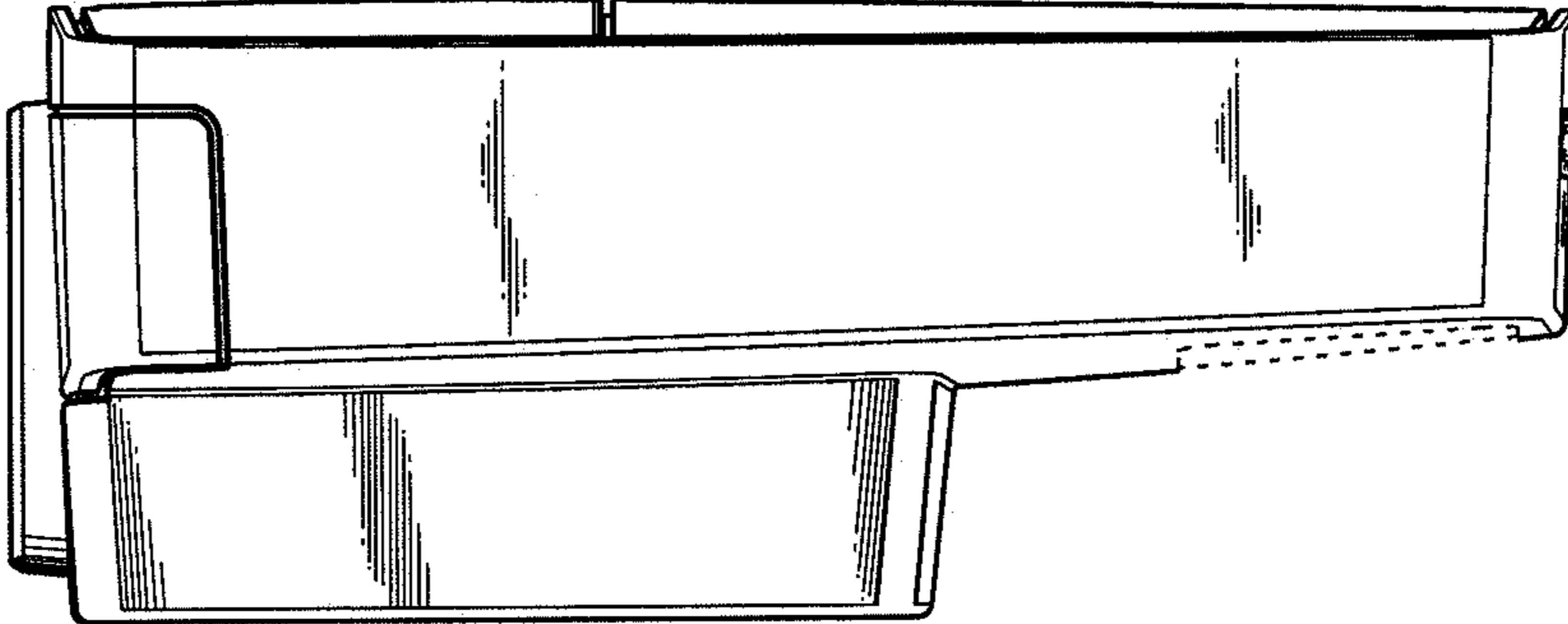


Figure 5

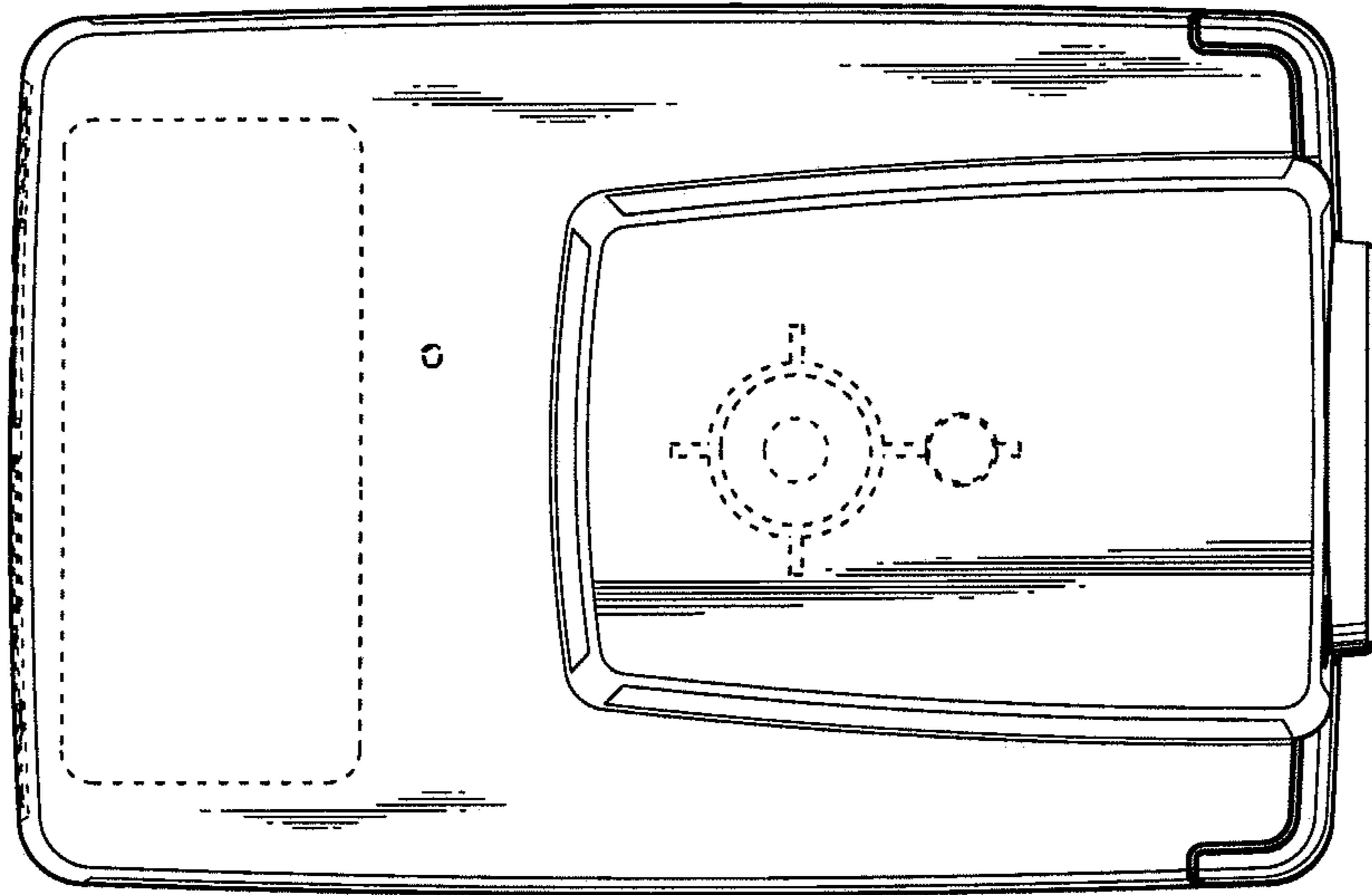


Figure 6

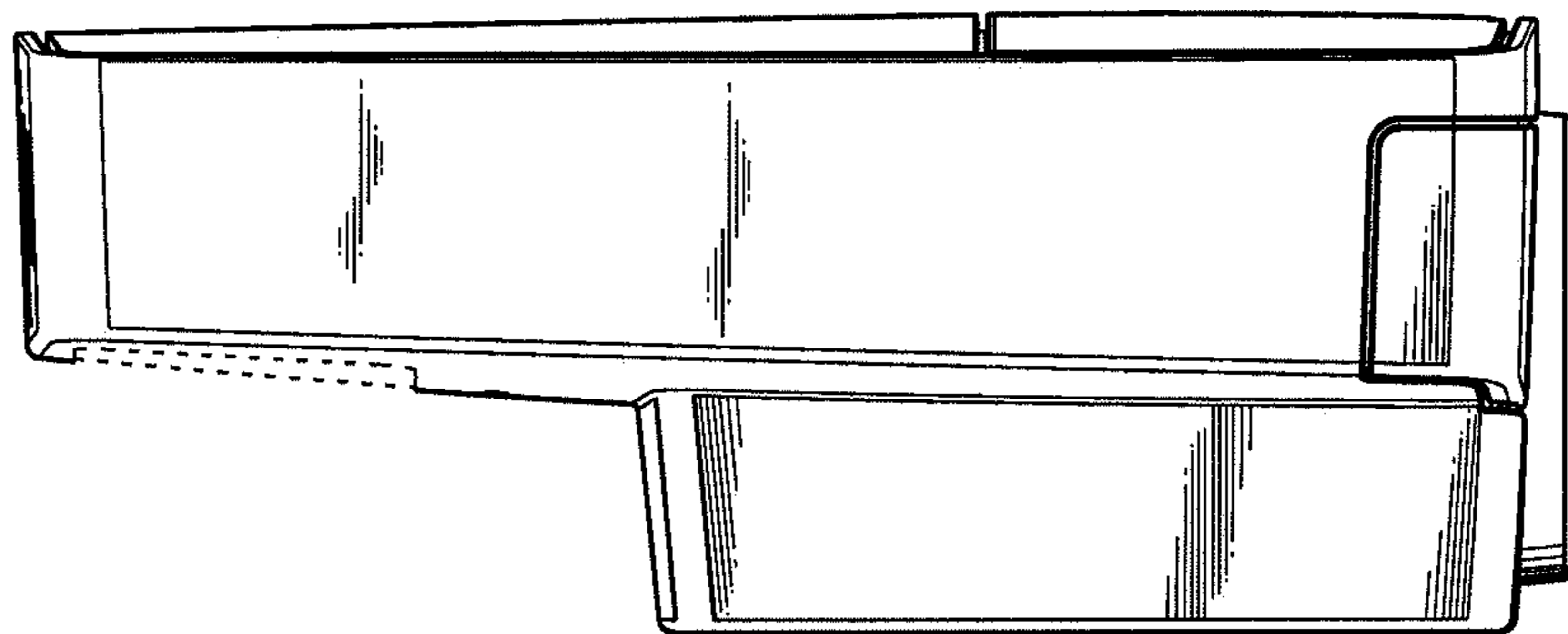


Figure 7