



US00D691645S

(12) **United States Design Patent**
Klien

(10) **Patent No.:** **US D691,645 S**
(45) **Date of Patent:** **** Oct. 15, 2013**

(54) **APPARATUS FOR SURFACE TREATMENT**

(71) Applicant: **Oerlikon Trading AG, Trubbach,**
Trubbach (CH)

(72) Inventor: **Johannes Peter Klein, Triesenberg (LI)**

(73) Assignee: **Oerlikon Trading AG, Trubbach,**
Trubbach (CH)

(**) Term: **14 Years**

(21) Appl. No.: **29/441,721**

(22) Filed: **Jan. 9, 2013**

(30) **Foreign Application Priority Data**

Jul. 10, 2012 (EM) 002071357-0001
Jul. 10, 2012 (EM) 002071415-0001

(51) **LOC (9) Cl.** **15-09**

(52) **U.S. Cl.**
USPC **D15/122**

(58) **Field of Classification Search**
USPC D15/122, 124, 127, 128, 130, 131;
29/26 A, 26 R, 30, 33 A-33 T, 34 R, 39,
29/50, 563-566, 564.1-564.8; 483/17-57
See application file for complete search history.

(56) **References Cited**

U.S. PATENT DOCUMENTS

D266,520 S * 10/1982 Engel D15/122
4,443,929 A * 4/1984 Bayer et al. 483/32
D319,834 S * 9/1991 Rutschle D15/131
D388,103 S * 12/1997 Gotou et al. D15/127
D399,221 S * 10/1998 Schwartz D15/141
D445,807 S * 7/2001 Baulk D15/127
D495,723 S * 9/2004 Kawamura et al. D15/127
7,013,543 B2 * 3/2006 Iwabuchi et al. 29/27 C
D548,754 S * 8/2007 Itabashi et al. D15/122

D548,755 S * 8/2007 Takeshima et al. D15/122
D559,871 S * 1/2008 Kittaka et al. D15/122
D567,263 S * 4/2008 Sugihara et al. D15/122
D578,144 S * 10/2008 Arisue et al. D15/122
D614,210 S * 4/2010 Basler et al. D15/122
D620,508 S * 7/2010 Jacquet et al. D15/122
D635,596 S * 4/2011 Hiroshima et al. D15/122
D636,796 S * 4/2011 Hiroshima et al. D15/122
D637,631 S * 5/2011 Hiroshima et al. D15/122
D644,570 S * 9/2011 Chuang D12/110
D649,173 S * 11/2011 Bruce et al. D15/122
D649,174 S * 11/2011 Schindler D15/127
D649,567 S * 11/2011 Schindler D15/127
D654,099 S * 2/2012 Schindler et al. D15/122
D654,518 S * 2/2012 Miyake et al. D15/122
D658,686 S * 5/2012 Mueller D15/122
D659,728 S * 5/2012 Mueller D15/122
D667,031 S * 9/2012 Mueller D15/122
D667,032 S * 9/2012 Egami D15/122

(Continued)

Primary Examiner — Patricia Palasik
(74) *Attorney, Agent, or Firm* — Pearne & Gordon LLP

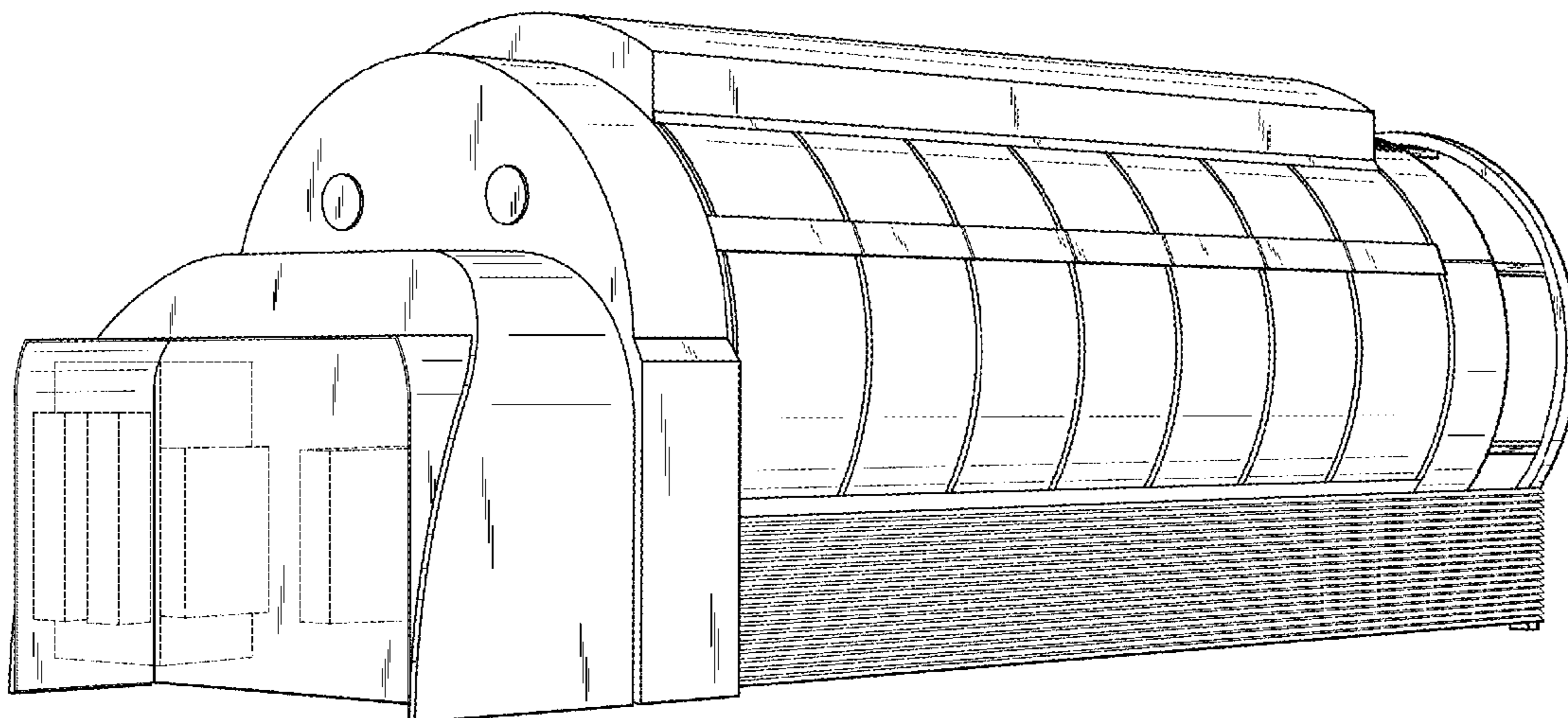
(57) **CLAIM**

The ornamental design for an apparatus for surface treatment, as shown and described.

DESCRIPTION

FIG. 1 is a first perspective view of an apparatus for surface treatment showing my new design;
FIG. 2 is a second perspective view thereof;
FIG. 3 is a left side view thereof;
FIG. 4 is a right side view thereof;
FIG. 5 is a top view thereof;
FIG. 6 is a front view thereof;
FIG. 7 is a rear view thereof; and,
FIG. 8 is a bottom view thereof.
The broken lines in FIGS. 1-3, illustrate portions of the apparatus for surface treatment and form no part of the claimed design.

1 Claim, 5 Drawing Sheets



US D691,645 S

Page 2

(56)

References Cited

D676,882 S * 2/2013 Mueller D15/122
D680,563 S * 4/2013 Yang et al. D15/122

U.S. PATENT DOCUMENTS

D671,969 S * 12/2012 Yang et al. D15/122 * cited by examiner

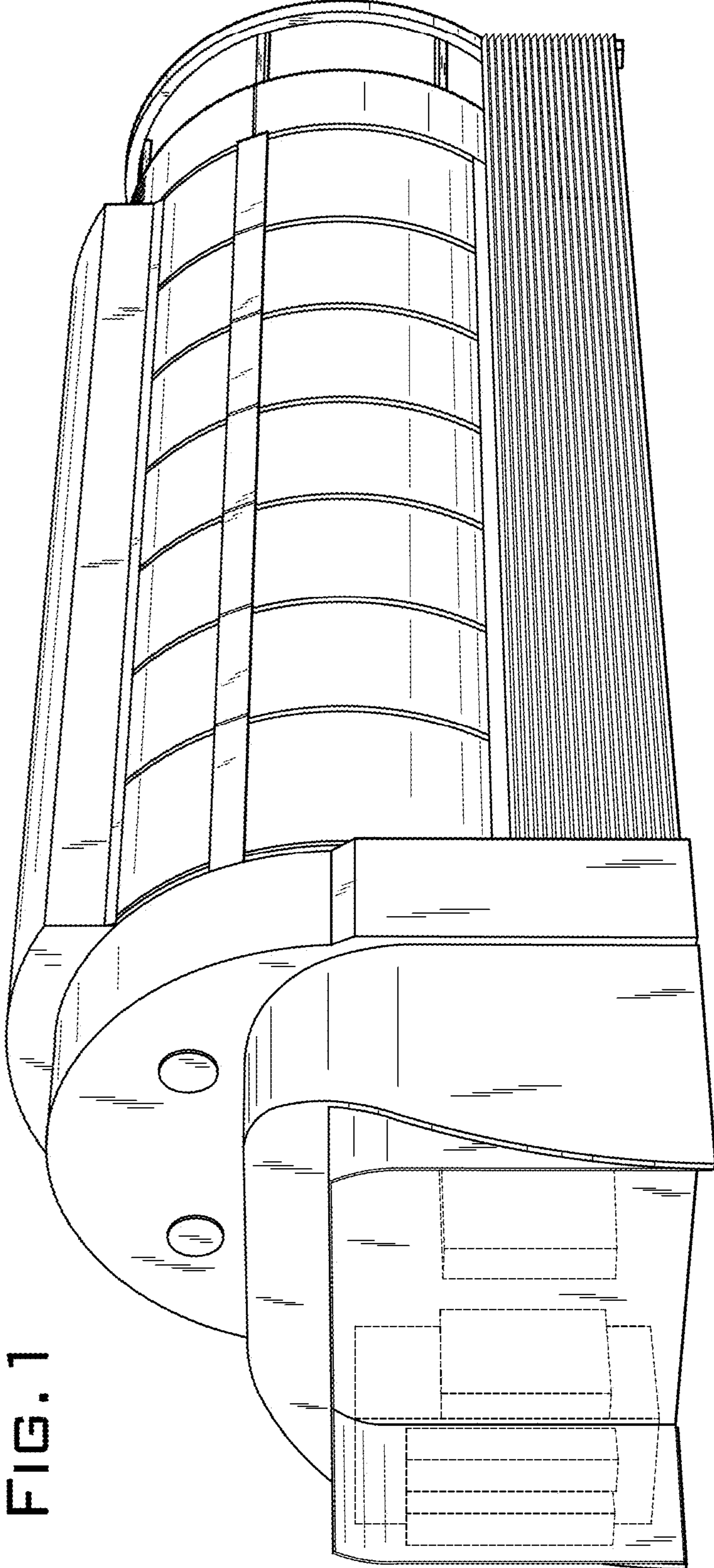


FIG. 1

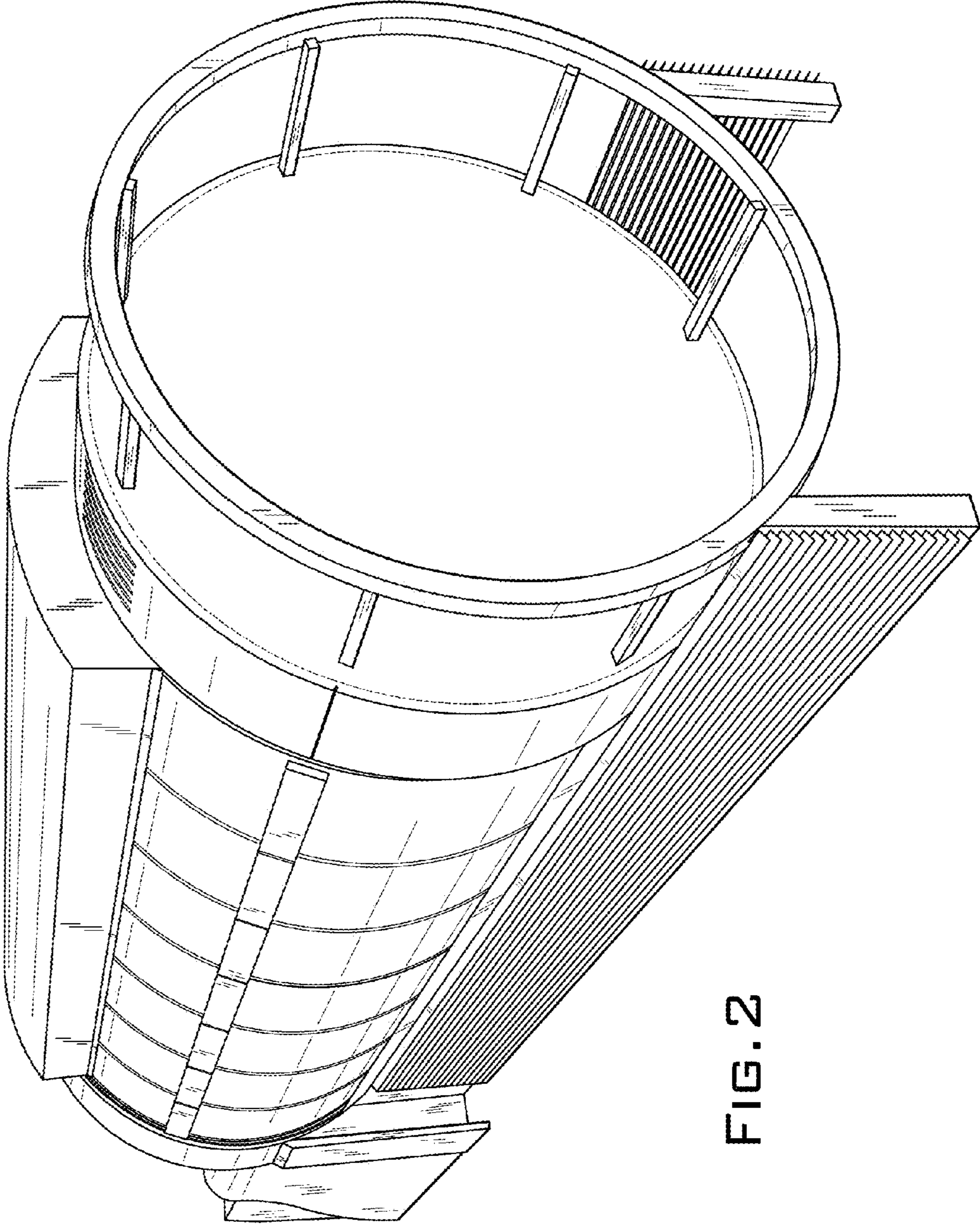


FIG. 2

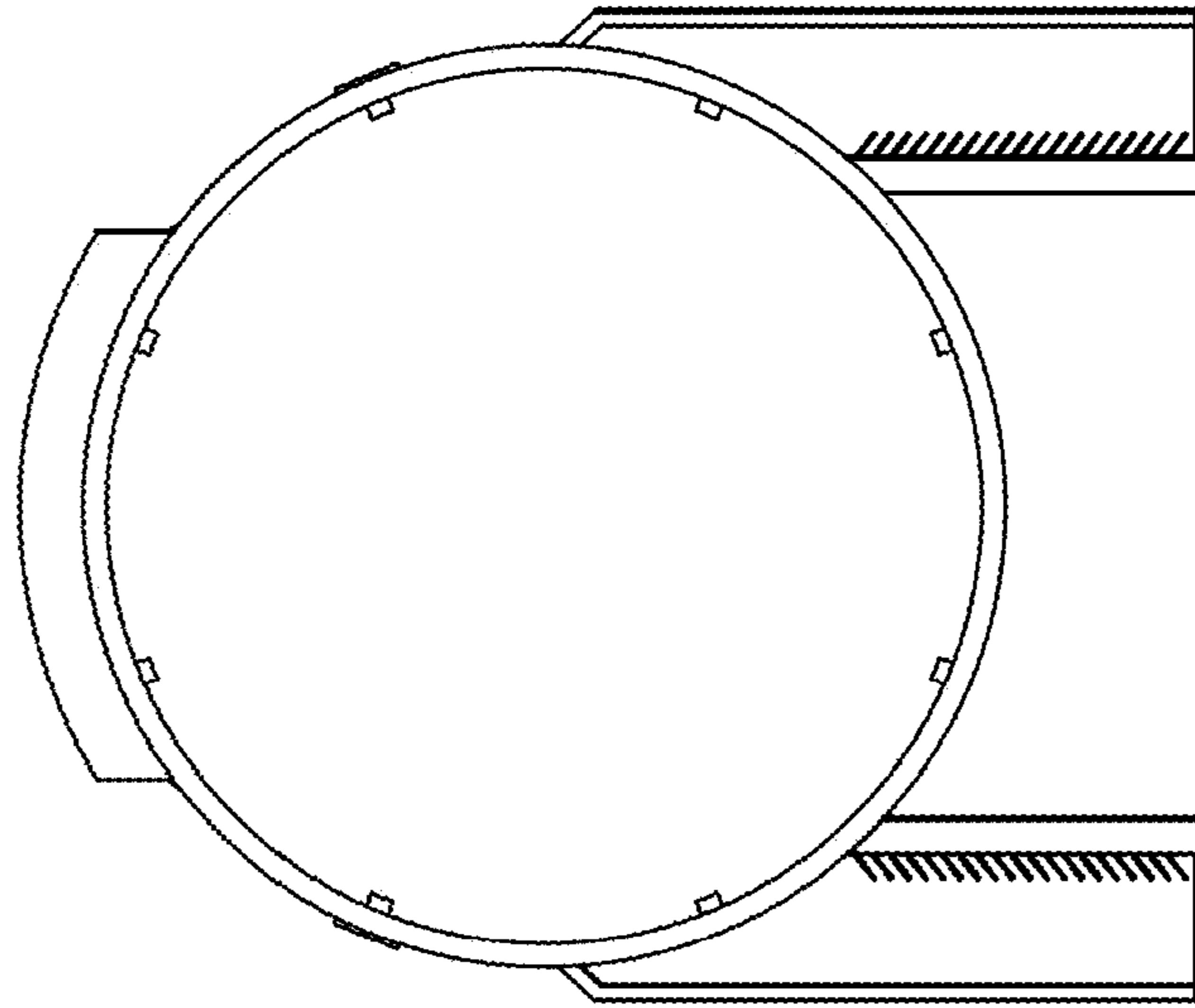


FIG. 4

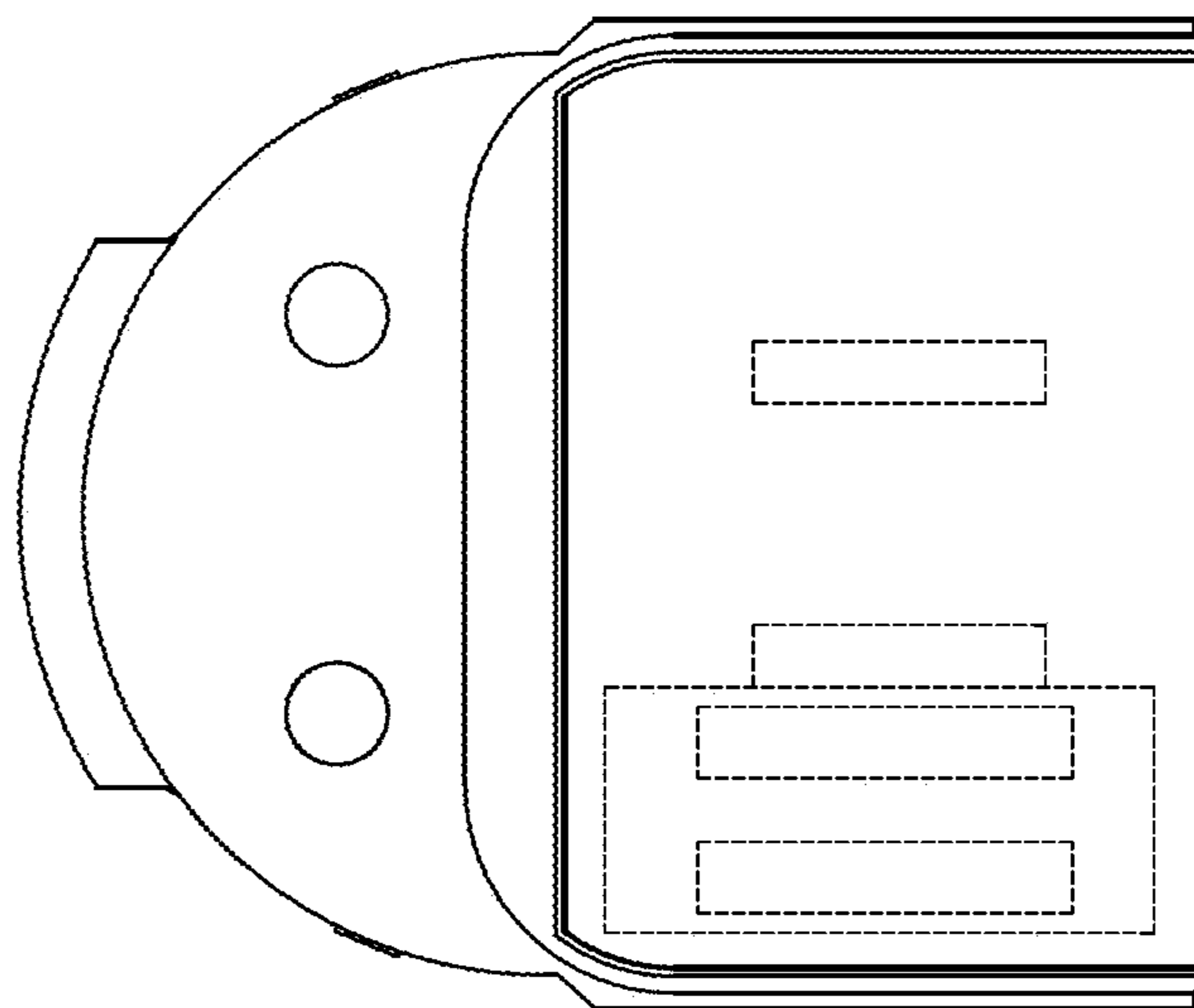


FIG. 3

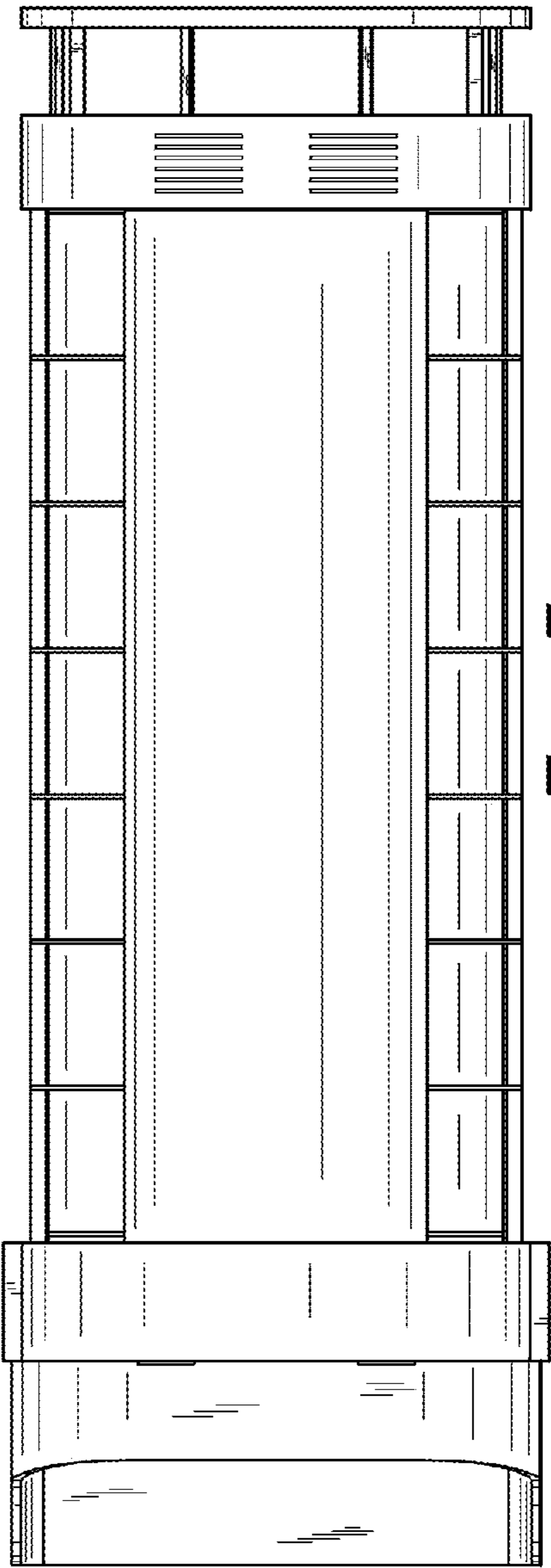


FIG. 5

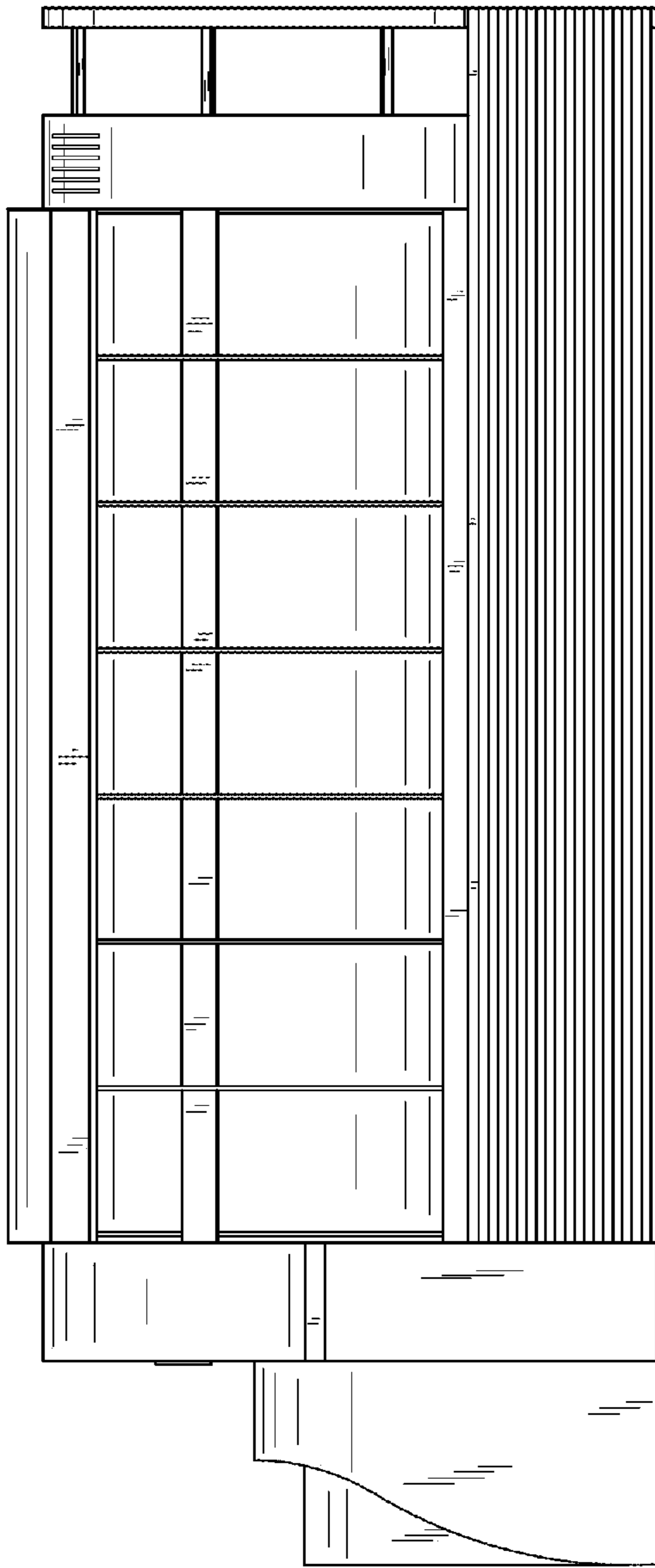


FIG. 6

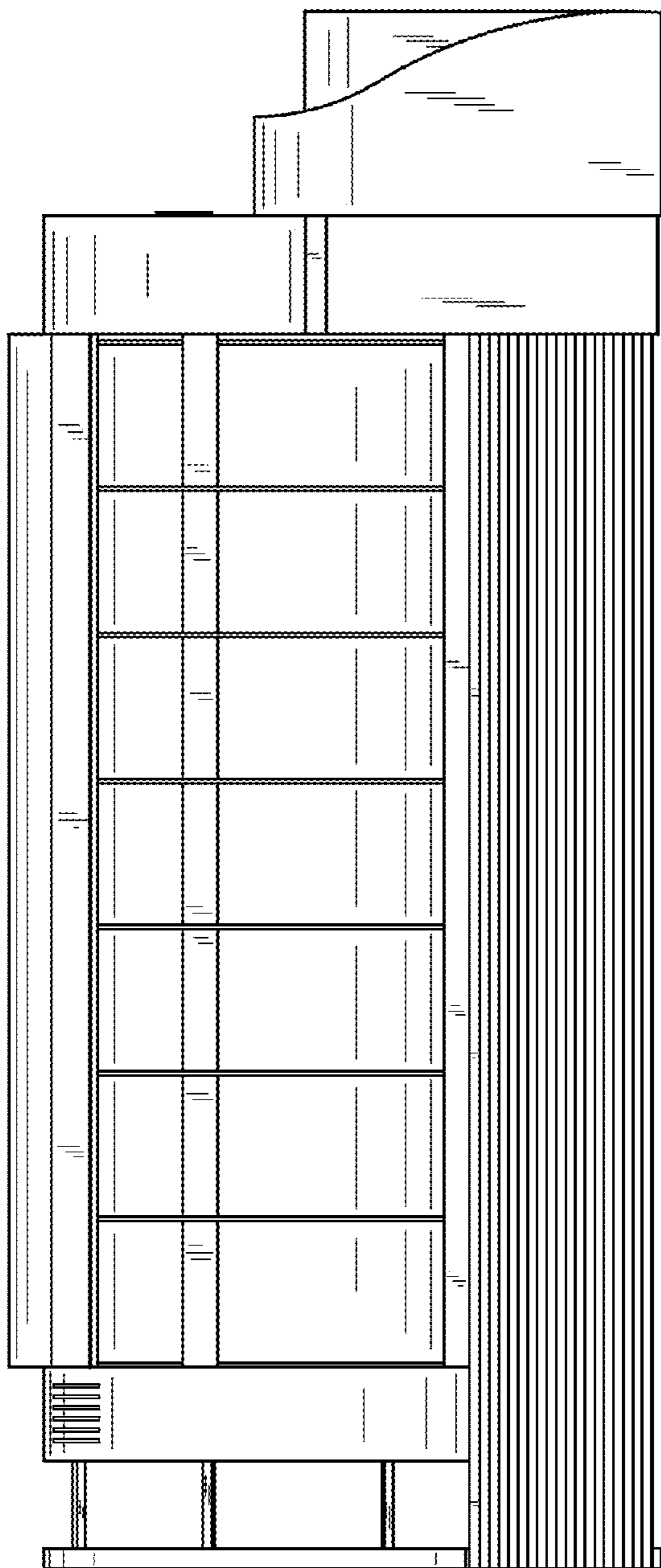


FIG. 7

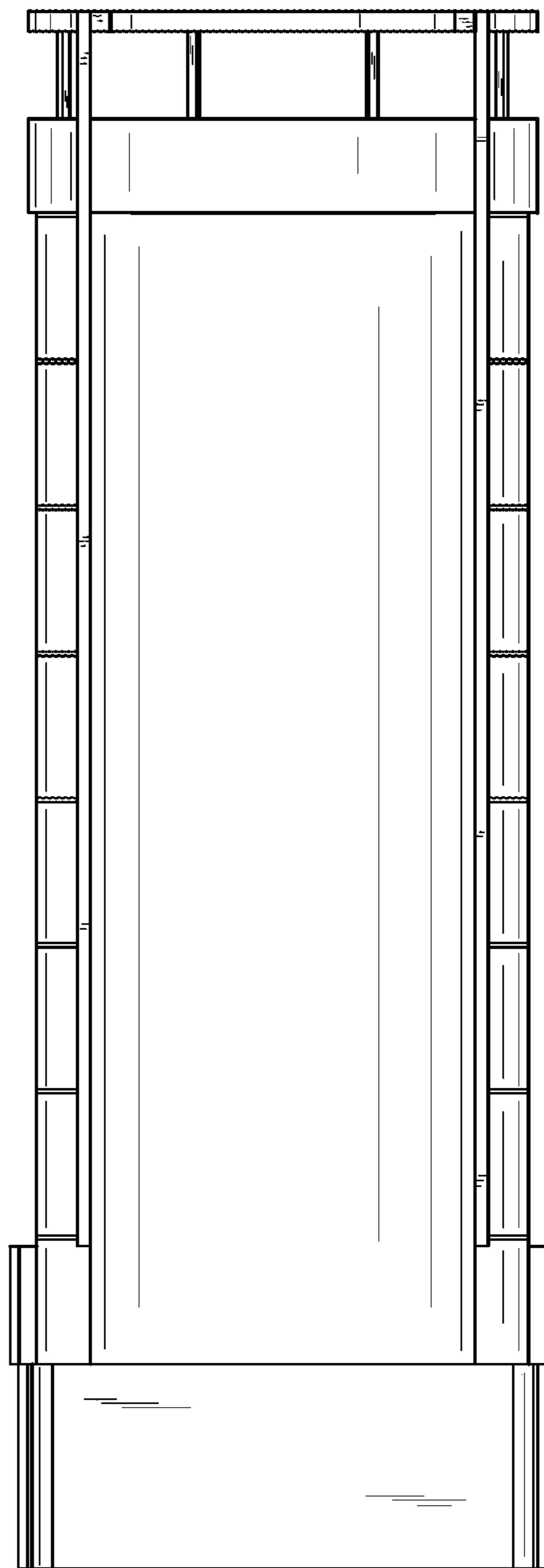


FIG. 8