

US00D691642S

(12) **United States Design Patent**
Fujiwara

(10) **Patent No.:** **US D691,642 S**
(45) **Date of Patent:** **** Oct. 15, 2013**

(54) **RIDING LAWN MOWER**
(71) Applicant: **Honda Motor Co., Ltd.**, Tokyo (JP)
(72) Inventor: **Masato Fujiwara**, Wako (JP)
(73) Assignee: **Honda Motor Co., Ltd.**, Tokyo (JP)
(**) Term: **14 Years**

D440,982 S * 4/2001 Knight et al. D15/23
D447,492 S * 9/2001 Goebert et al. D15/31
D448,037 S * 9/2001 Westimayer et al. D15/31
D453,776 S * 2/2002 Williams D15/31
D455,157 S * 4/2002 Williams D15/31
D458,945 S * 6/2002 Hohnl et al. D15/31
D473,882 S * 4/2003 Kuwae D15/31
D497,370 S * 10/2004 Katoh D15/31
D532,021 S * 11/2006 Kuwae et al. D15/17

(21) Appl. No.: **29/448,402**
(22) Filed: **Mar. 12, 2013**

(30) **Foreign Application Priority Data**
Sep. 18, 2012 (JP) 2012-022478
(51) **LOC (9) Cl.** **15-03**
(52) **U.S. Cl.**
USPC **D15/31; D15/17; D15/15**
(58) **Field of Classification Search**
USPC D15/14-18, 23, 28, 31; 56/13.3, 13.4,
56/16.1, 17.4, 15.8, 15.9, 16.7, 202, 255,
56/294, 320.1, 320.2; 180/900, 273, 68.6,
180/69.21
See application file for complete search history.

FOREIGN PATENT DOCUMENTS

JP 1200192 D 3/2004

* cited by examiner

Primary Examiner — Mark Goodwin
(74) *Attorney, Agent, or Firm* — Westerman, Hattori,
Daniels & Adrian, LLP

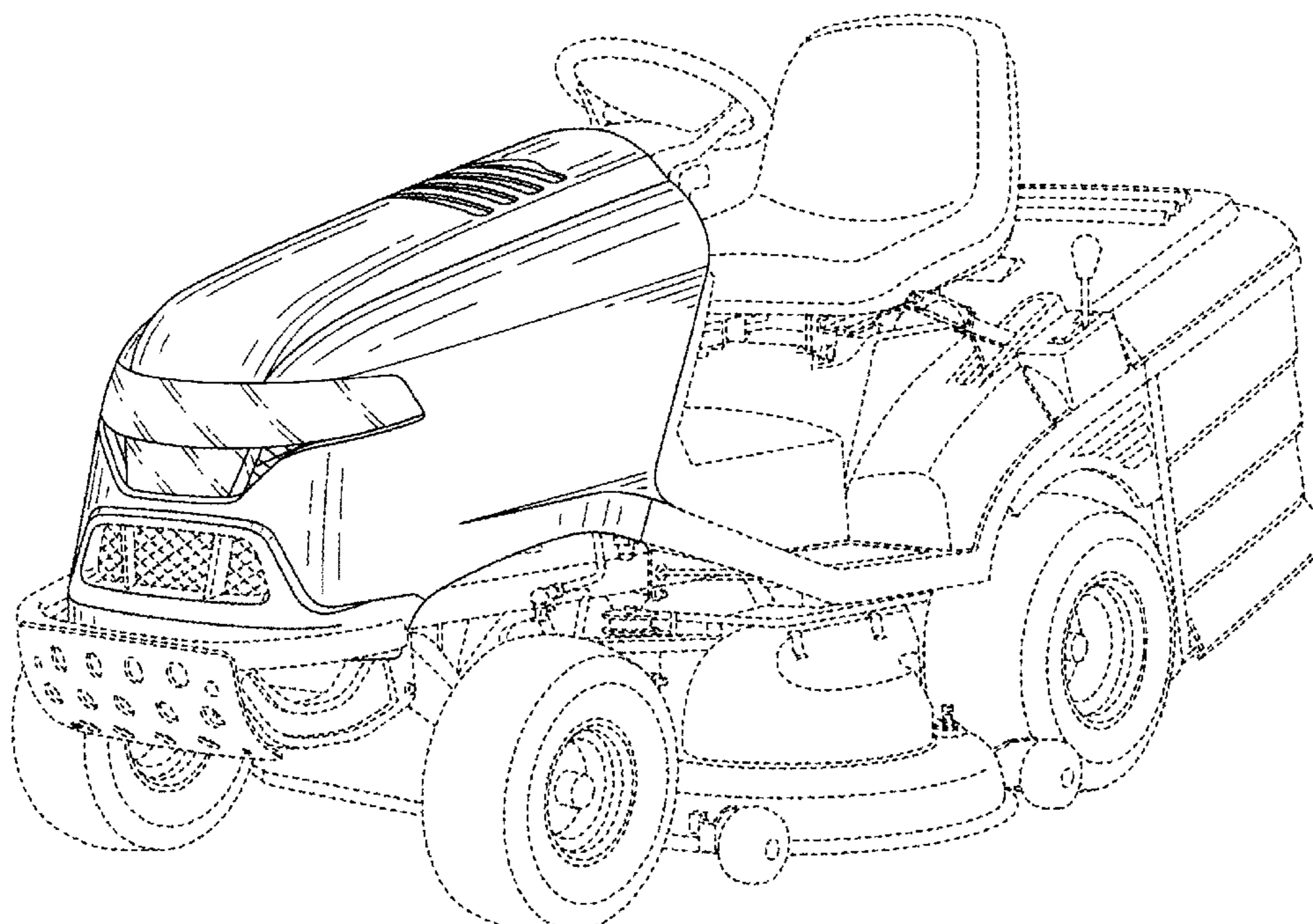
(56) **References Cited**
U.S. PATENT DOCUMENTS
D363,939 S * 11/1995 Kato et al. D15/15
D381,341 S * 7/1997 Goebert et al. D15/31
D383,470 S * 9/1997 Westimayer et al. D15/31
D389,492 S * 1/1998 Schmidt et al. D15/31
D410,012 S * 5/1999 Goebert et al. D15/31
D423,520 S * 4/2000 Smith D15/15

(57) **CLAIM**
The ornamental design for, a riding lawn mower, as shown
and described.

DESCRIPTION

FIG. 1 is a first perspective view of a riding lawn mower,
showing our new design;
FIG. 2 is a second perspective view thereof;
FIG. 3 is a front elevation view thereof;
FIG. 4 is a top plan view thereof;
FIG. 5 is a right side elevation view thereof; and,
FIG. 6 is a left side elevation view thereof.
The broken lines are for illustrative purposes only and form
no part of the claimed design.

1 Claim, 6 Drawing Sheets



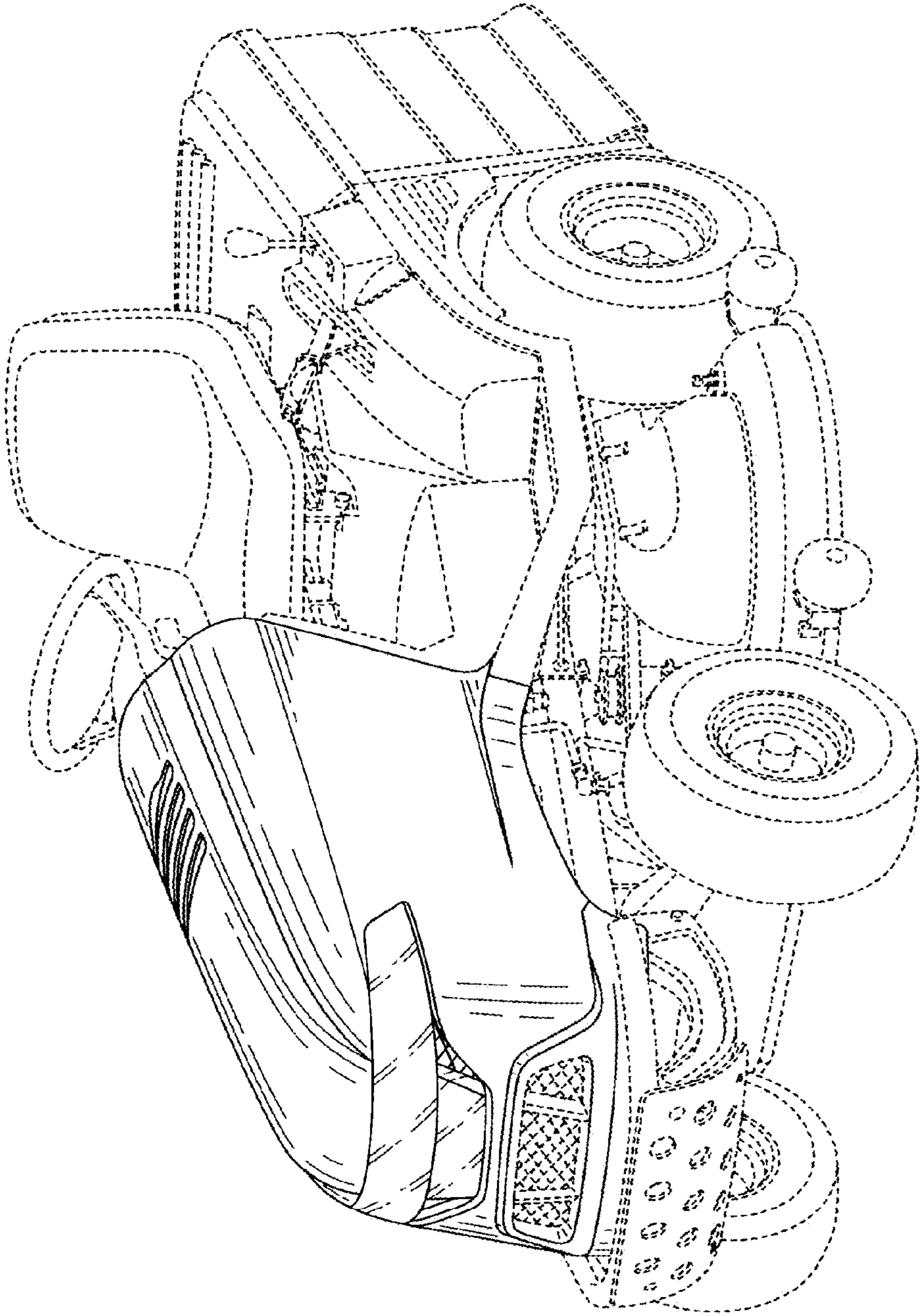


FIG. 1

FIG. 2

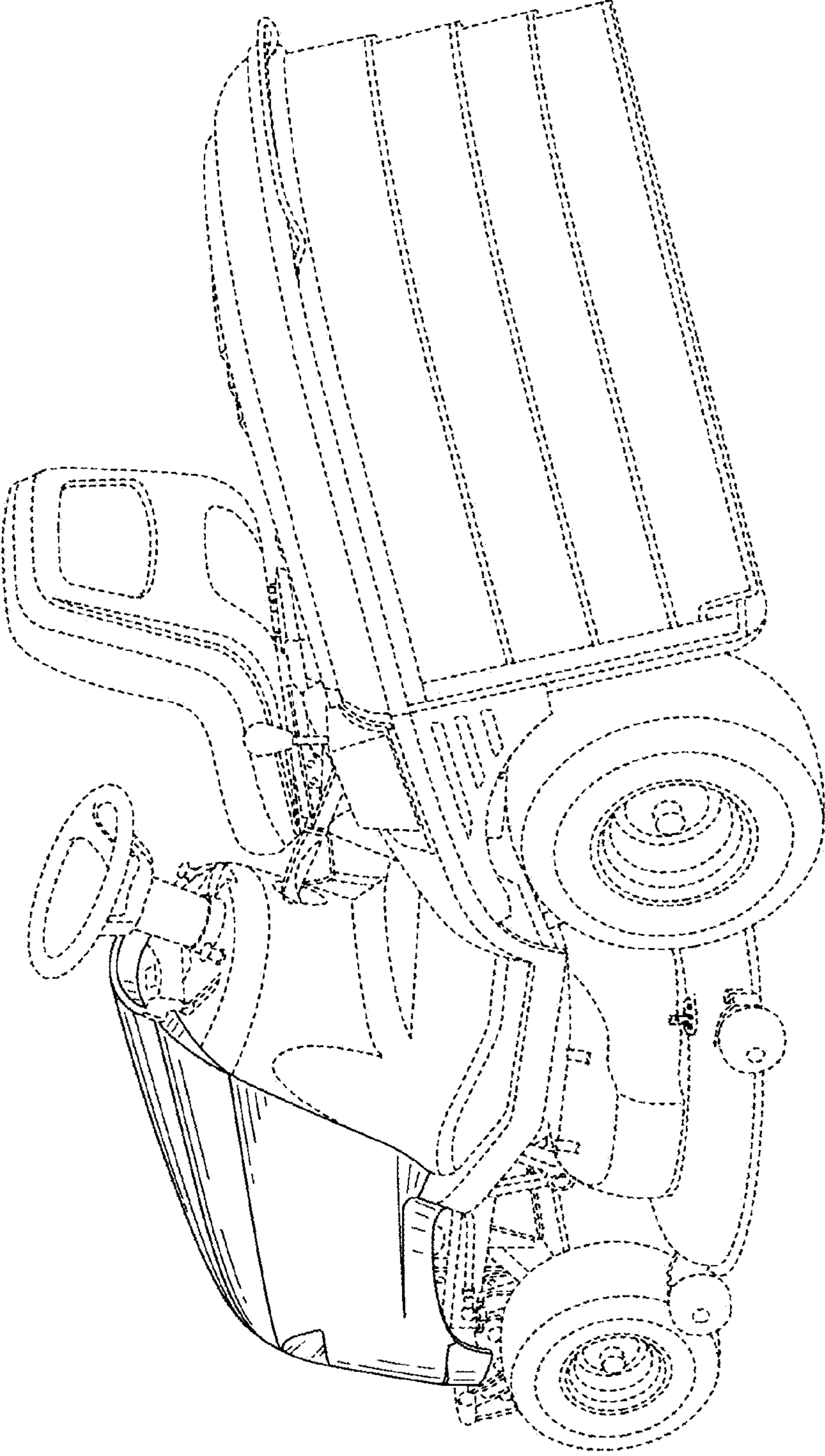


FIG. 3

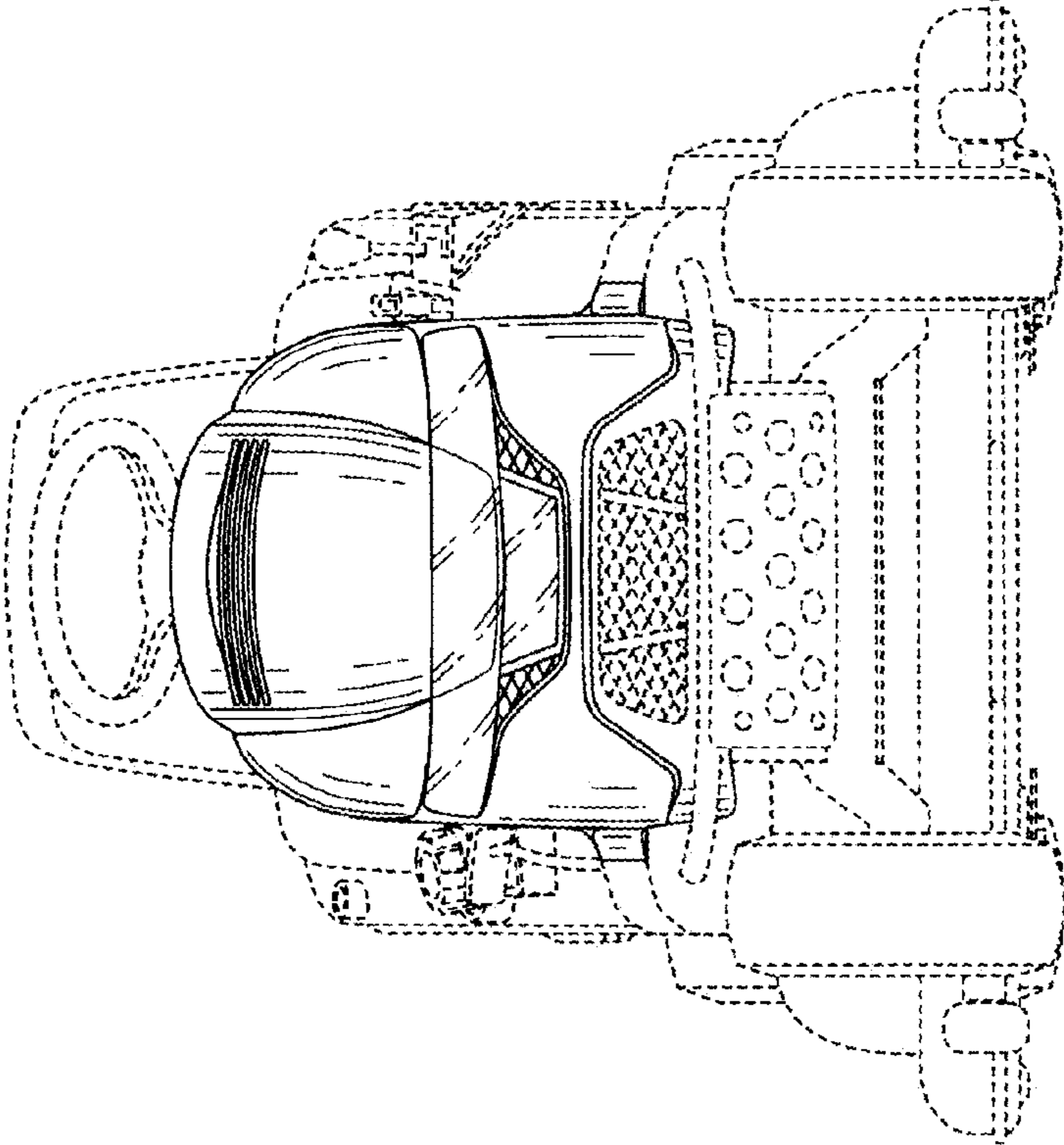


FIG. 4

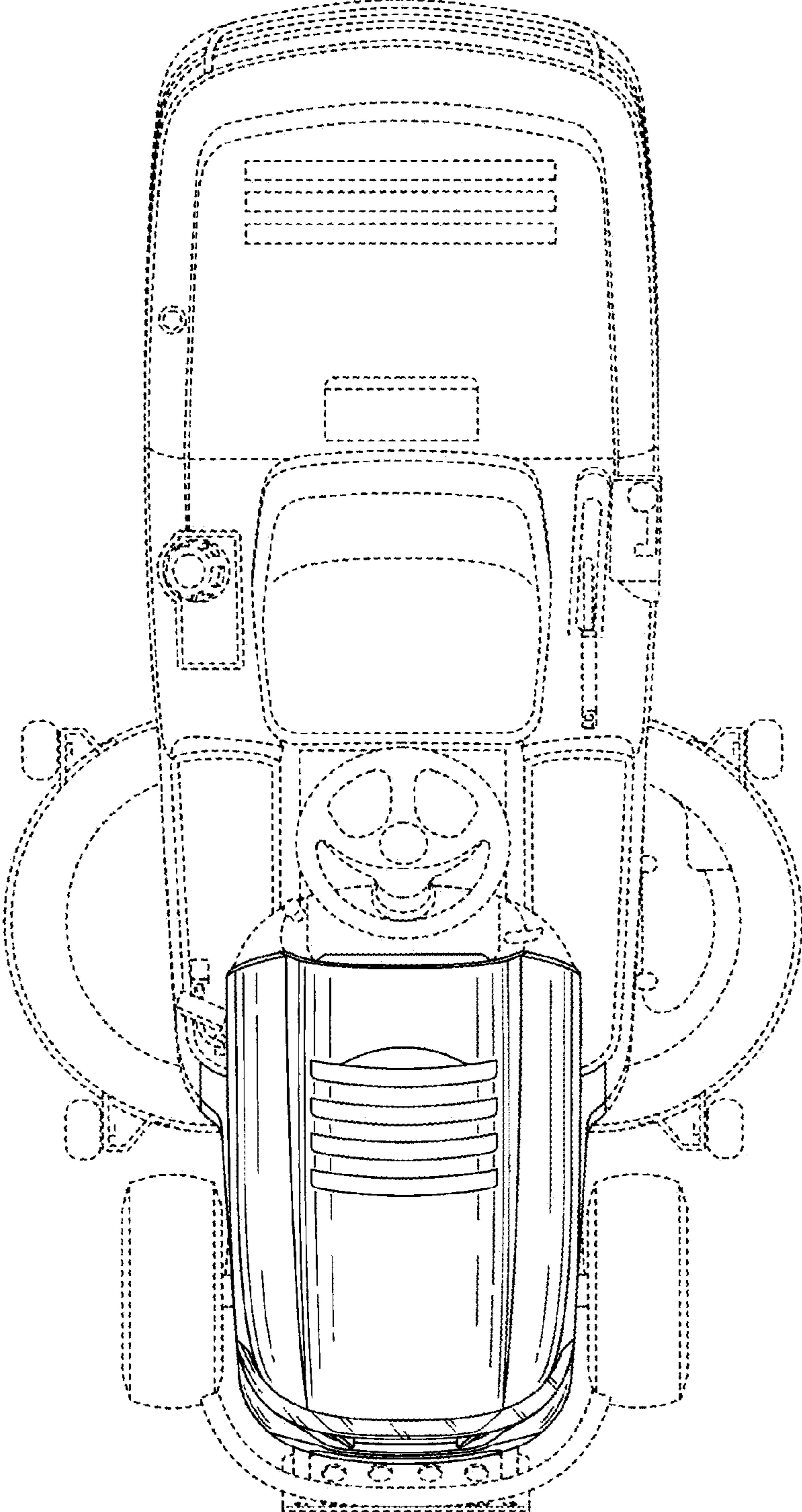


FIG. 5

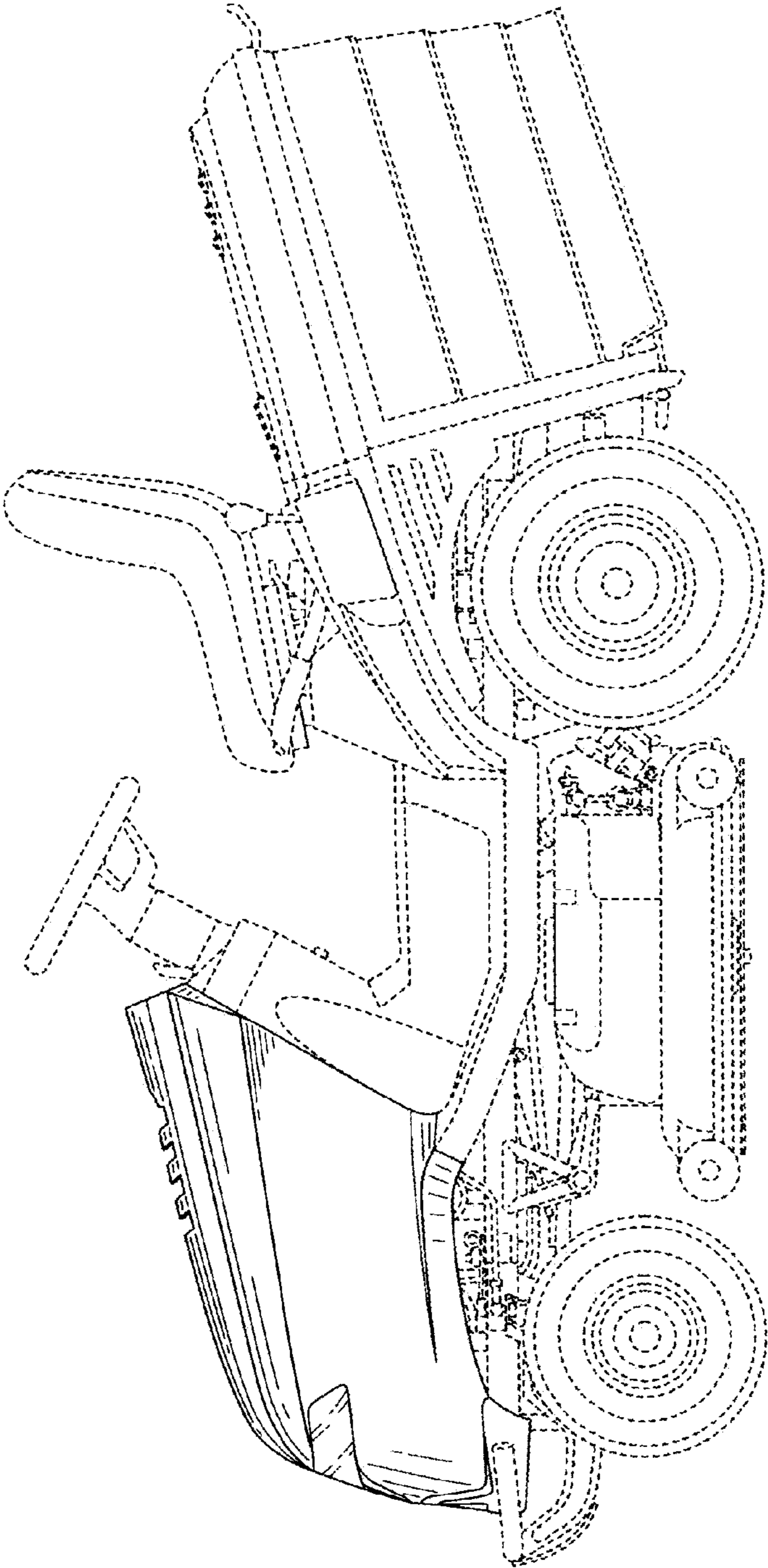


FIG. 6

