



US00D691639S

(12) **United States Design Patent**
Hirai

(10) **Patent No.:** **US D691,639 S**
(45) **Date of Patent:** **** Oct. 15, 2013**

(54) **PUMP**

(71) Applicant: **Koshin Ltd.**, Nagaokakyo (JP)

(72) Inventor: **Kunihiro Hirai**, Ikeda (JP)

(73) Assignee: **Koshin Ltd.** (JP)

(**) Term: **14 Years**

(21) Appl. No.: **29/441,764**

(22) Filed: **Jan. 9, 2013**

(51) **LOC (9) Cl.** **15-02**

(52) **U.S. Cl.**
USPC **D15/7**

(58) **Field of Classification Search**
USPC D15/7-9; D23/231, 232, 225; 417/60,
417/235, 265, 321, 355, 358, 363, 359,
417/410.1, 415-416, 405, 900, 43, 554;
60/408, 412; 184/26-37; 415/140-147;
123/495, 509; 166/105.1, 105.2, 311;
604/73; D24/109

See application file for complete search history.

(56) **References Cited**

U.S. PATENT DOCUMENTS

D454,357 S * 3/2002 Diels D15/7

D500,328 S * 12/2004 Lucchi D15/9
D529,518 S * 10/2006 Buck D15/9
D618,707 S * 6/2010 Schuetz et al. D15/7
D664,996 S * 8/2012 Hsiao D15/9

* cited by examiner

Primary Examiner — Ralf Seifert

(74) *Attorney, Agent, or Firm* — Saidman DesignLaw Group

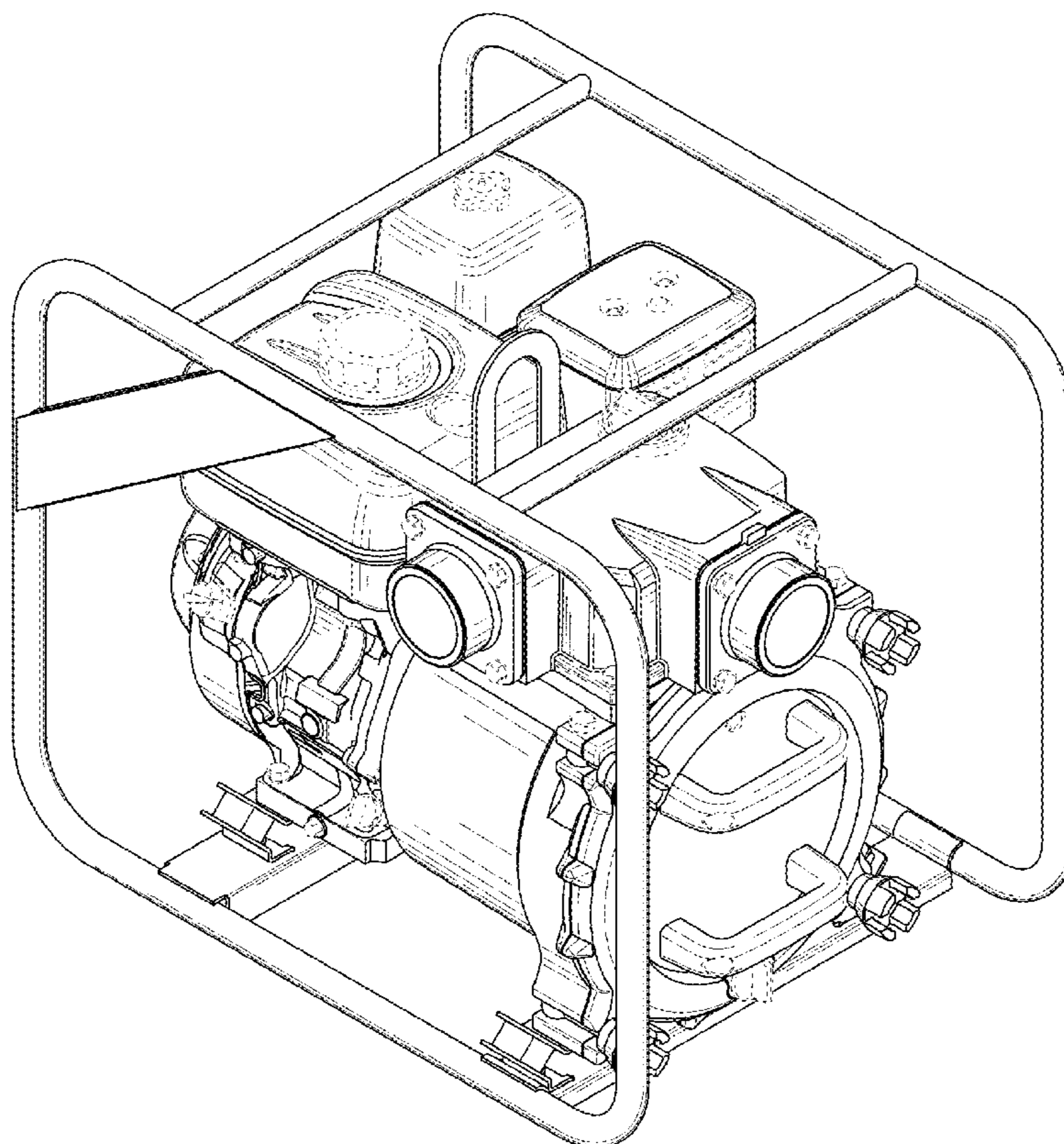
(57) **CLAIM**

The ornamental design for a pump, as shown and described.

DESCRIPTION

FIG. 1 is a top, front and left side perspective view of a pump showing my new design;
FIG. 2 is a top, front and right side perspective view thereof;
FIG. 3 is a front elevational view thereof;
FIG. 4 is a rear elevational view thereof;
FIG. 5 is a left side view thereof;
FIG. 6 is a right side view thereof;
FIG. 7 is a top plan view thereof; and,
FIG. 8 is a bottom plan view thereof.
The broken lines depict environmental subject matter only and form no part of the claimed design.

1 Claim, 6 Drawing Sheets



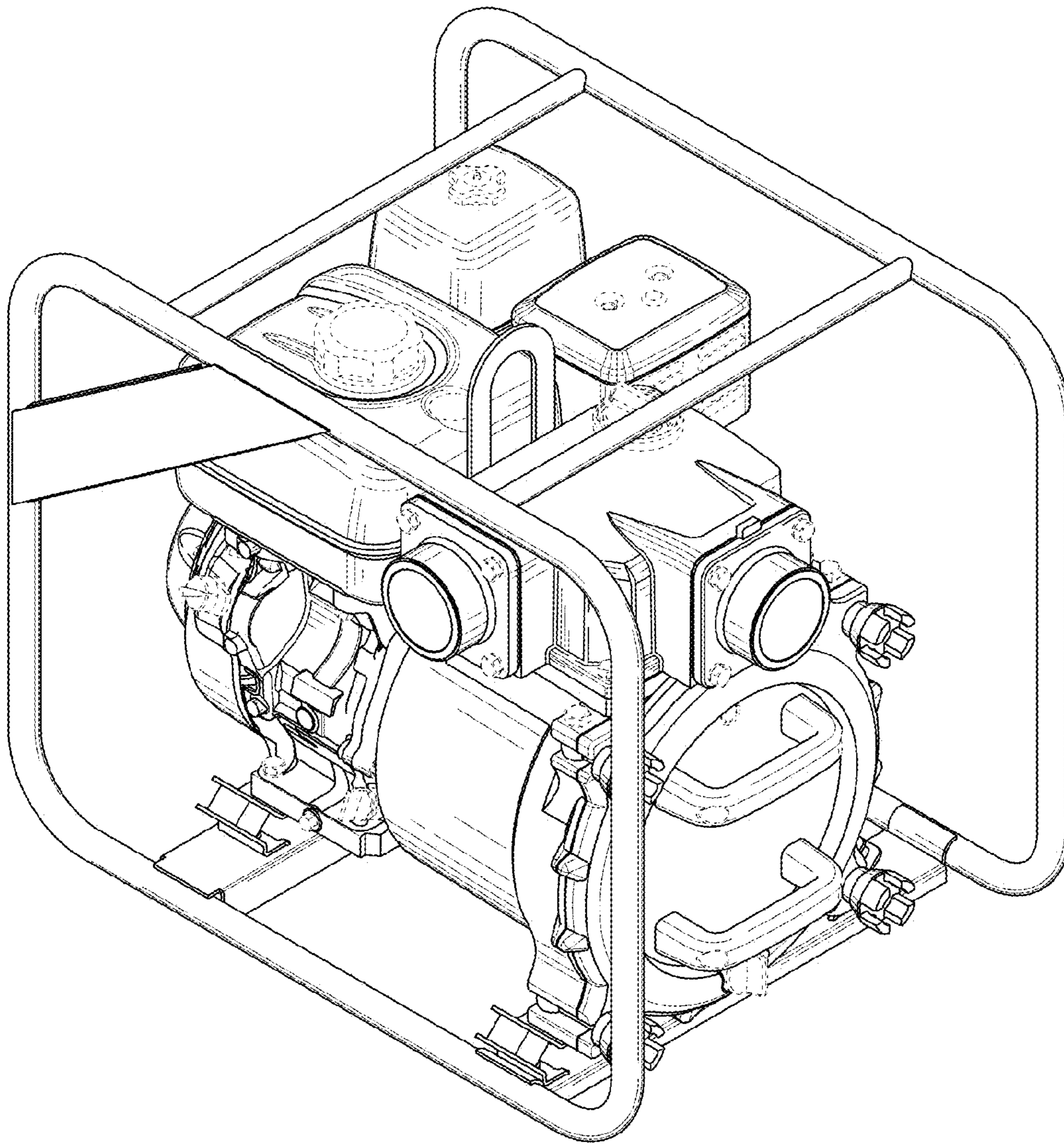


Fig. 1

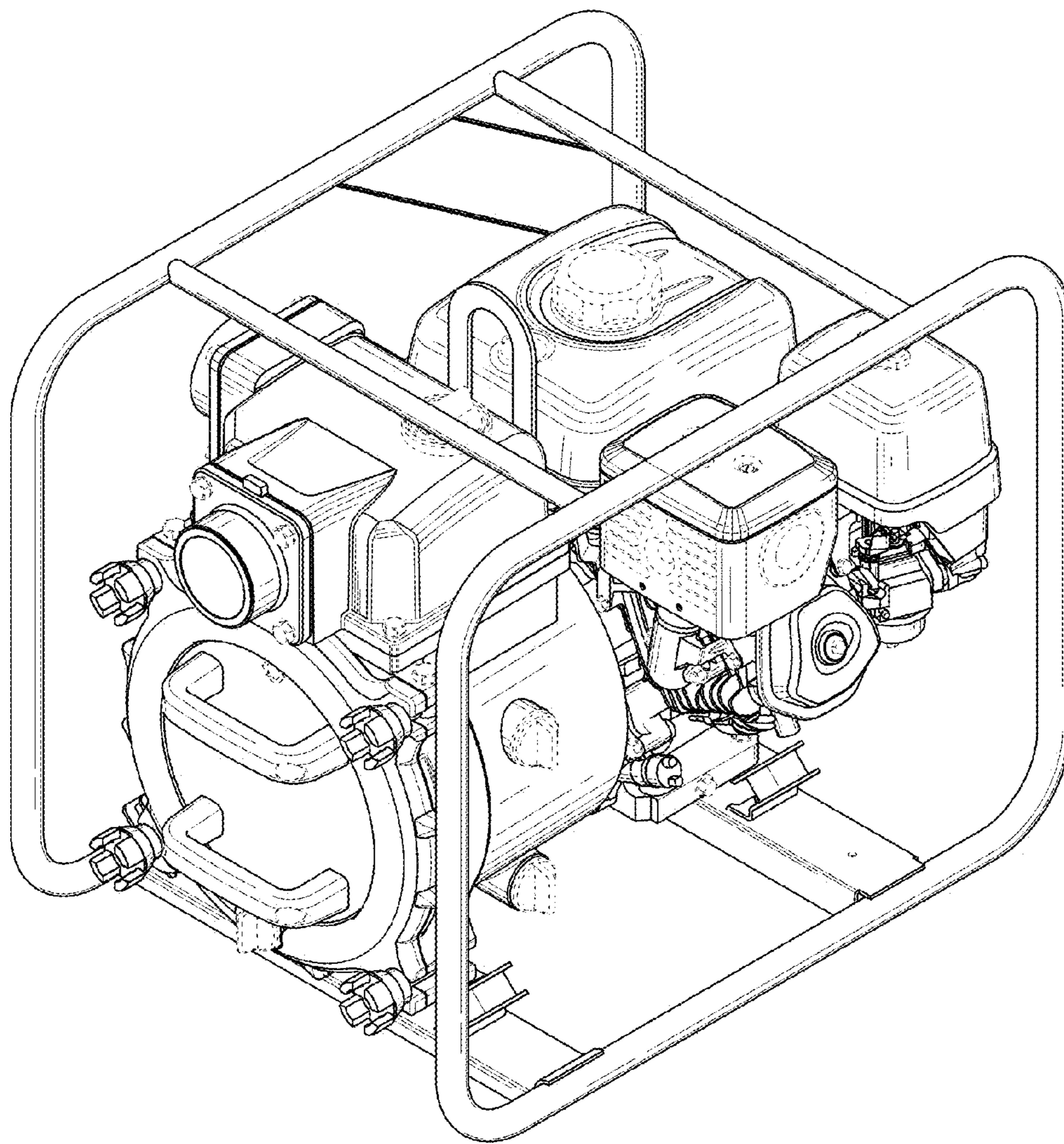


Fig. 2

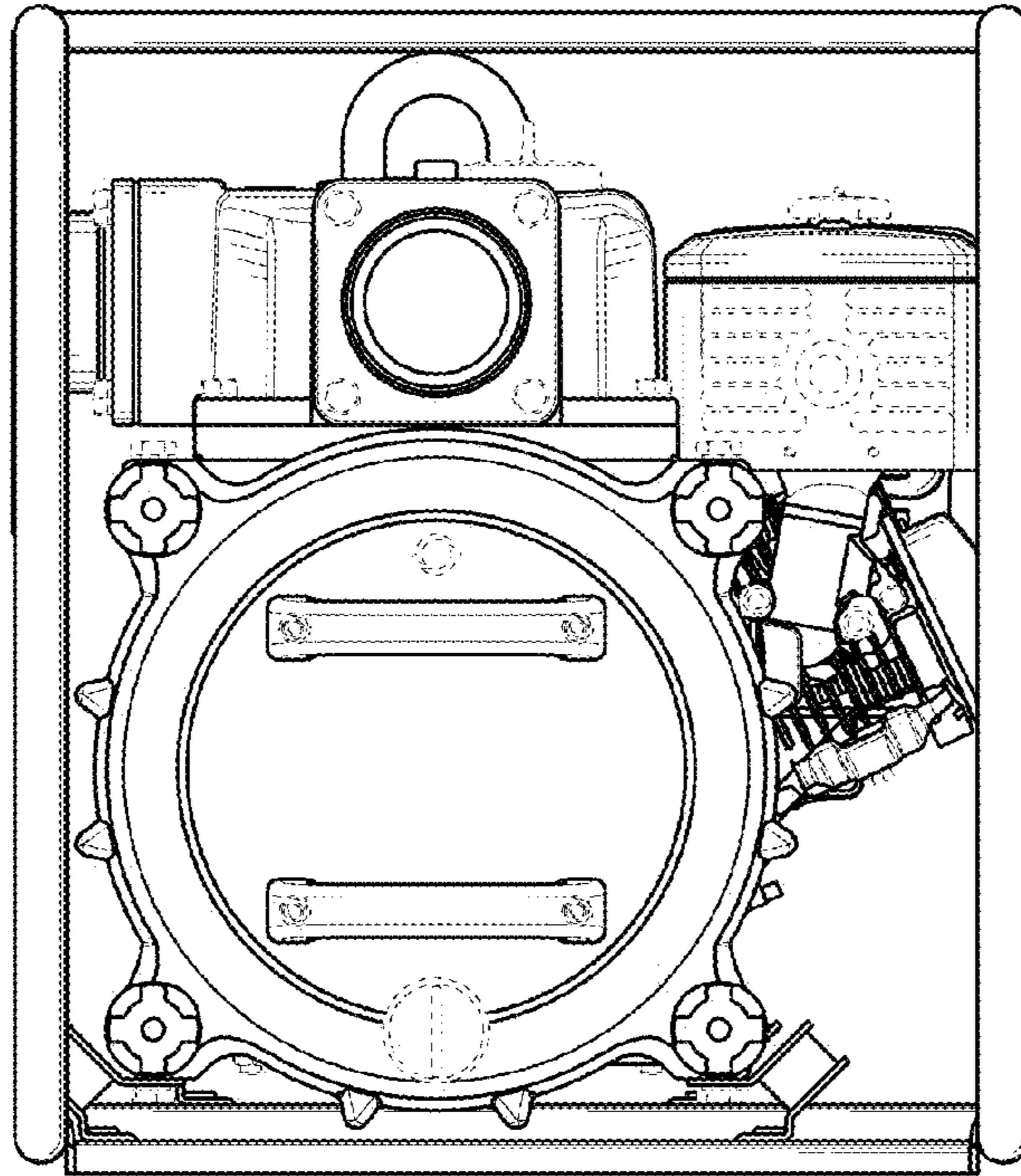


Fig. 3

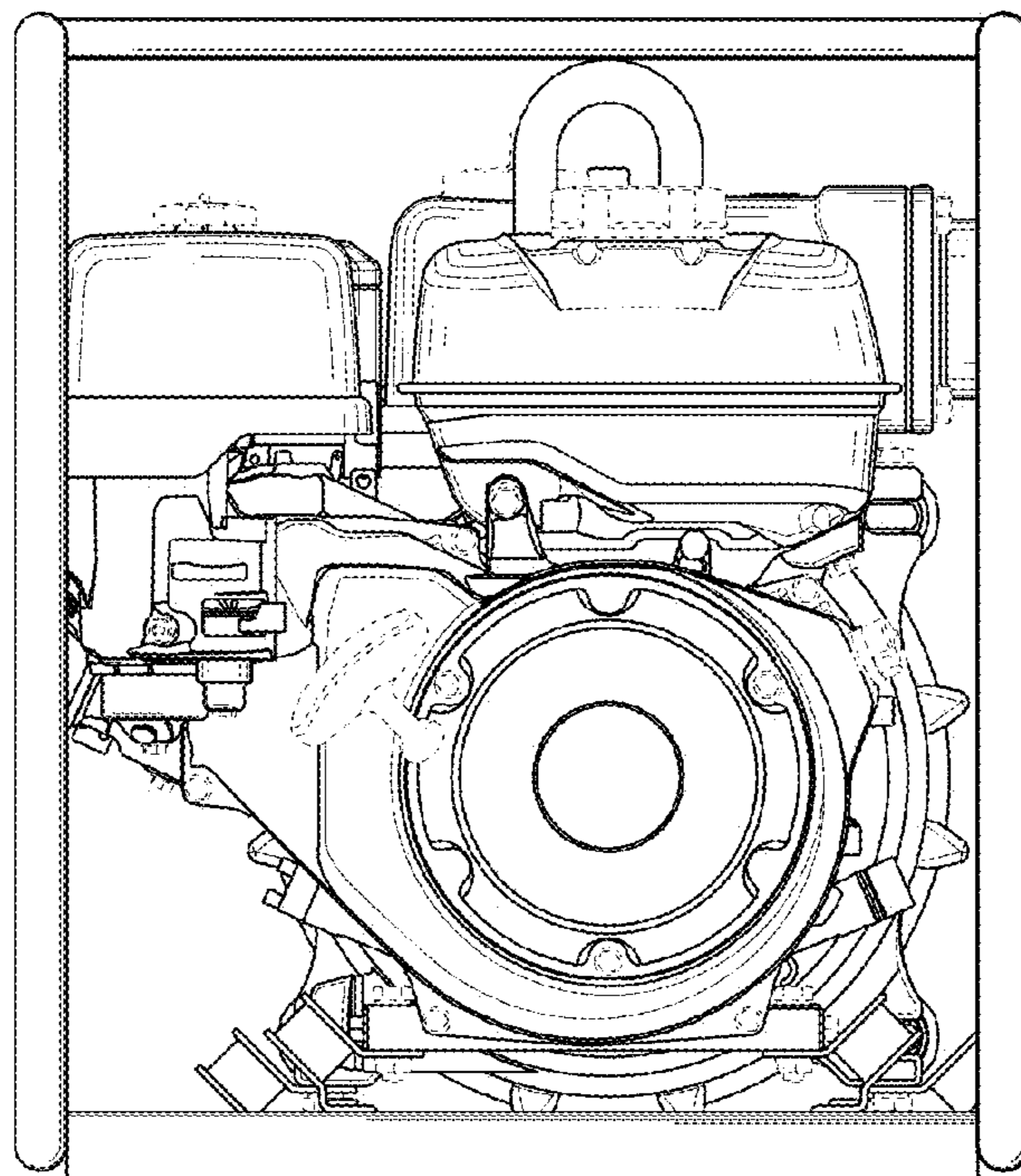


Fig. 4

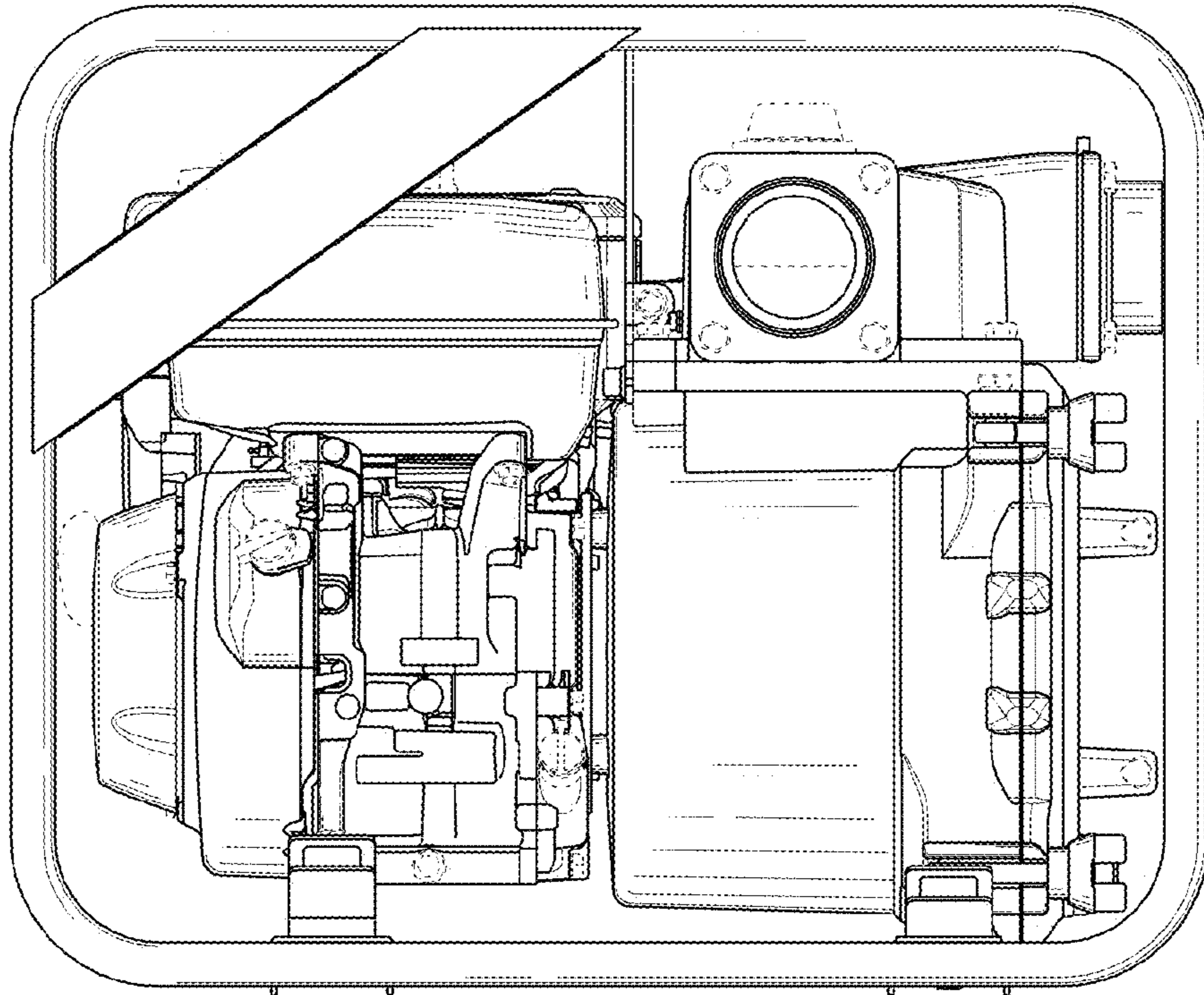


Fig. 5

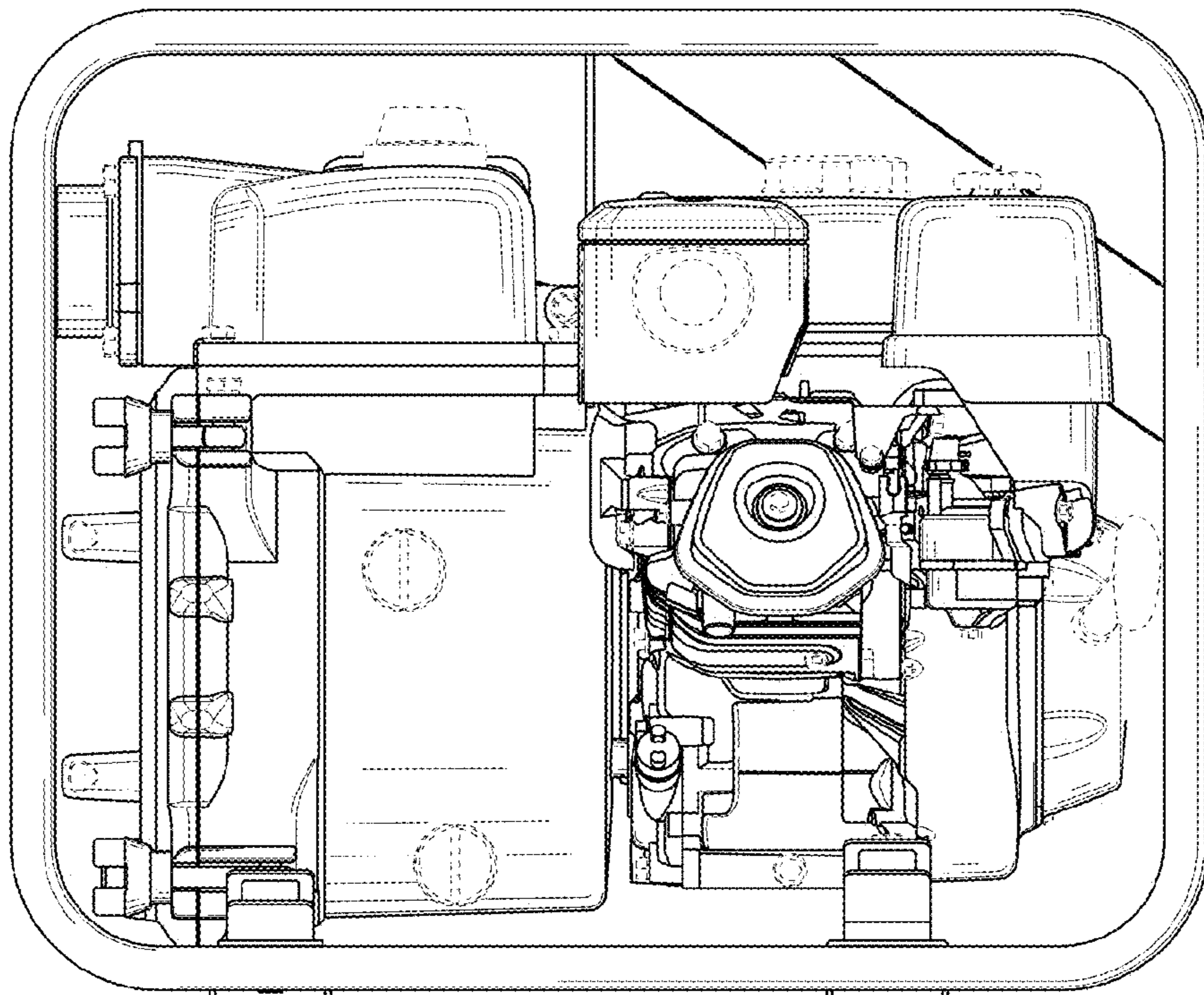


Fig. 6

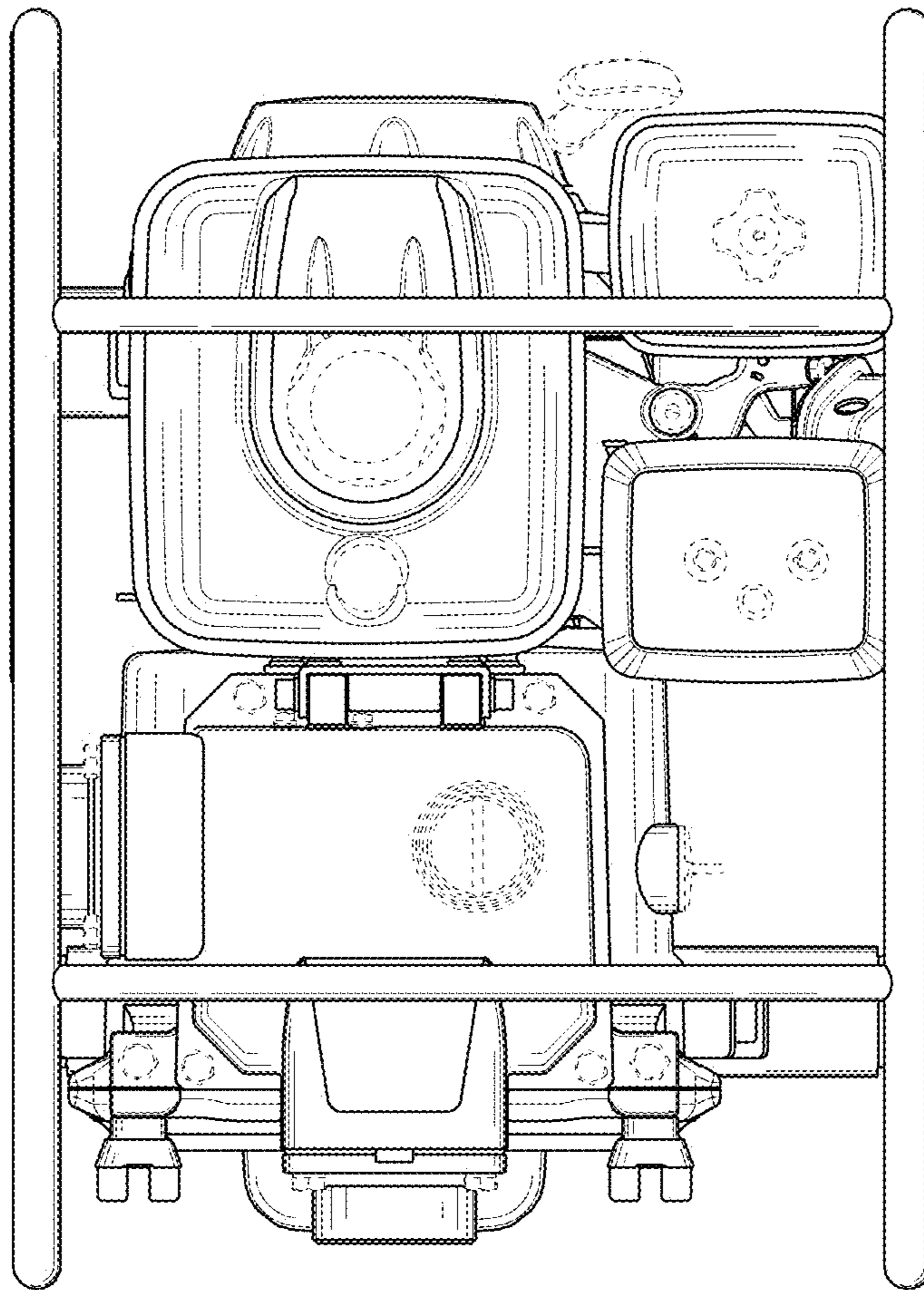


Fig. 7

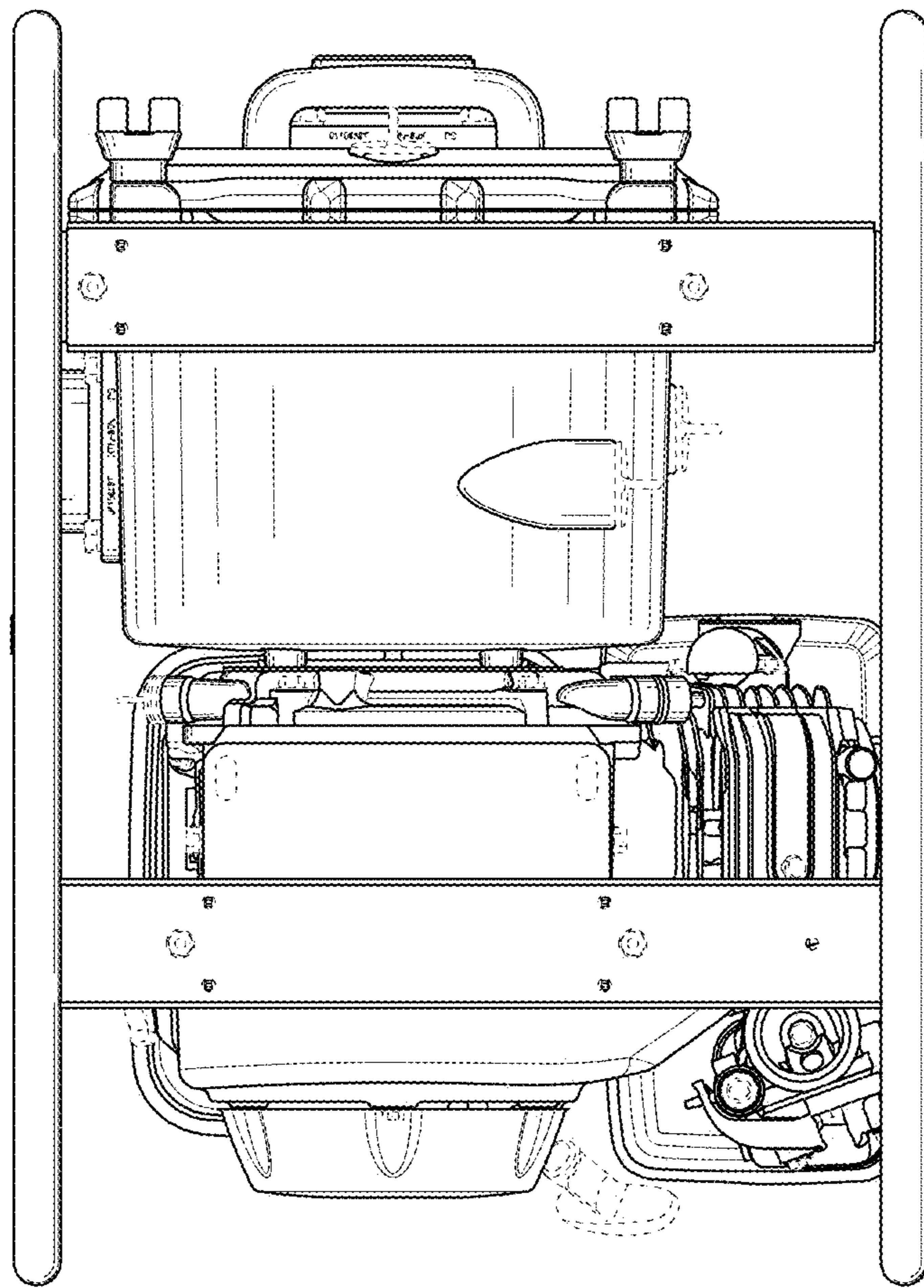


Fig. 8