



US00D691638S

(12) **United States Design Patent**
Alexander et al.

(10) **Patent No.:** **US D691,638 S**
(45) **Date of Patent:** **** Oct. 15, 2013**

(54) **PUMP**

(75) Inventors: **Gus Alexander**, Inverness, IL (US);
James E. Welch, Jr., Bentonville, AR
(US); **Wang Xu Dong**, Shenyang (CN)

(73) Assignee: **FNA IP Holdings, Inc.**, Elk Grove
Village, IL (US)

(**) Term: **14 Years**

(21) Appl. No.: **29/427,971**

(22) Filed: **Jul. 24, 2012**

(51) **LOC (9) Cl.** **15-02**

(52) **U.S. Cl.**
USPC **D15/7**

(58) **Field of Classification Search**

USPC D15/7-9; D23/231, 232, 225; 417/60,
417/235, 265, 321, 355, 358, 363, 359,
417/410.1, 415-416, 405, 900, 43, 554,
417/360; 60/408, 412; 184/26-37;
415/140-147; 123/495, 509

See application file for complete search history.

(56) **References Cited**

U.S. PATENT DOCUMENTS

5,494,414 A 2/1996 Steinhart et al.
D476,665 S * 7/2003 Stewart D15/7

D554,152 S * 10/2007 Ratner D15/7
D581,950 S * 12/2008 Ratner D15/7
D591,311 S * 4/2009 Tojo D15/7
7,611,337 B2 * 11/2009 Reverberi et al. 417/269
D634,664 S * 3/2011 DaRif D15/7
8,083,497 B2 * 12/2011 Gilpatrick et al. 417/234

* cited by examiner

Primary Examiner — Ralf Seifert

(74) *Attorney, Agent, or Firm* — Holland & Knight LLP;
Steven E. Jedlinski

(57) **CLAIM**

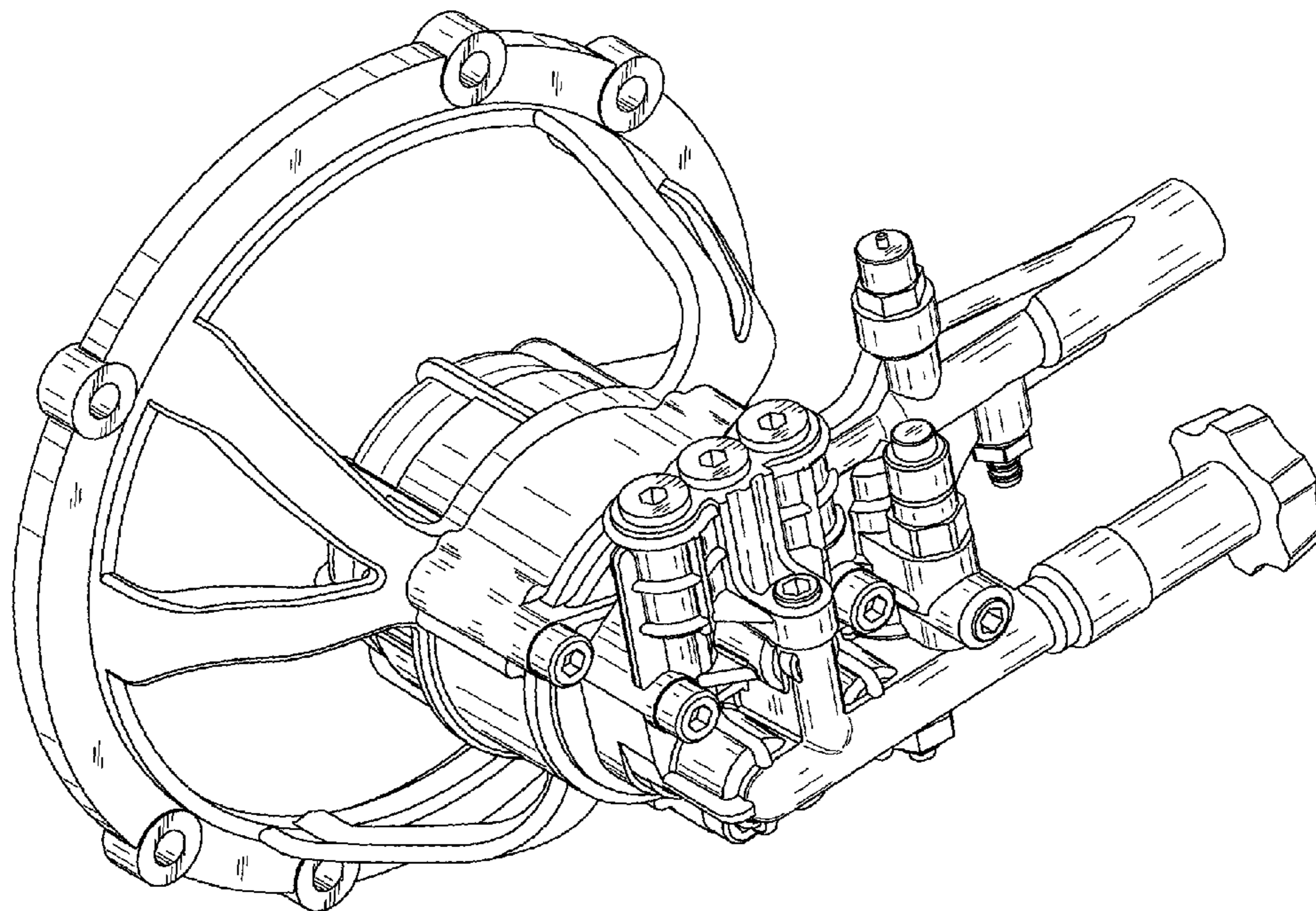
The ornamental design for a pump, as shown and described.

DESCRIPTION

FIG. 1 is a perspective view of a pump as viewed from the front left side;
FIG. 2 is a bottom plan view thereof;
FIG. 3 is a top plan view thereof;
FIG. 4 is a left side elevation view thereof;
FIG. 5 is a right side elevation view thereof;
FIG. 6 is a front elevation view thereof;
FIG. 7 is a rear elevation view thereof; and,
FIG. 8 is a perspective view of a pump as viewed from the rear right side.

The broken lines are included for the purpose of illustrating portions of the pump that form no part of the claimed design.

1 Claim, 8 Drawing Sheets



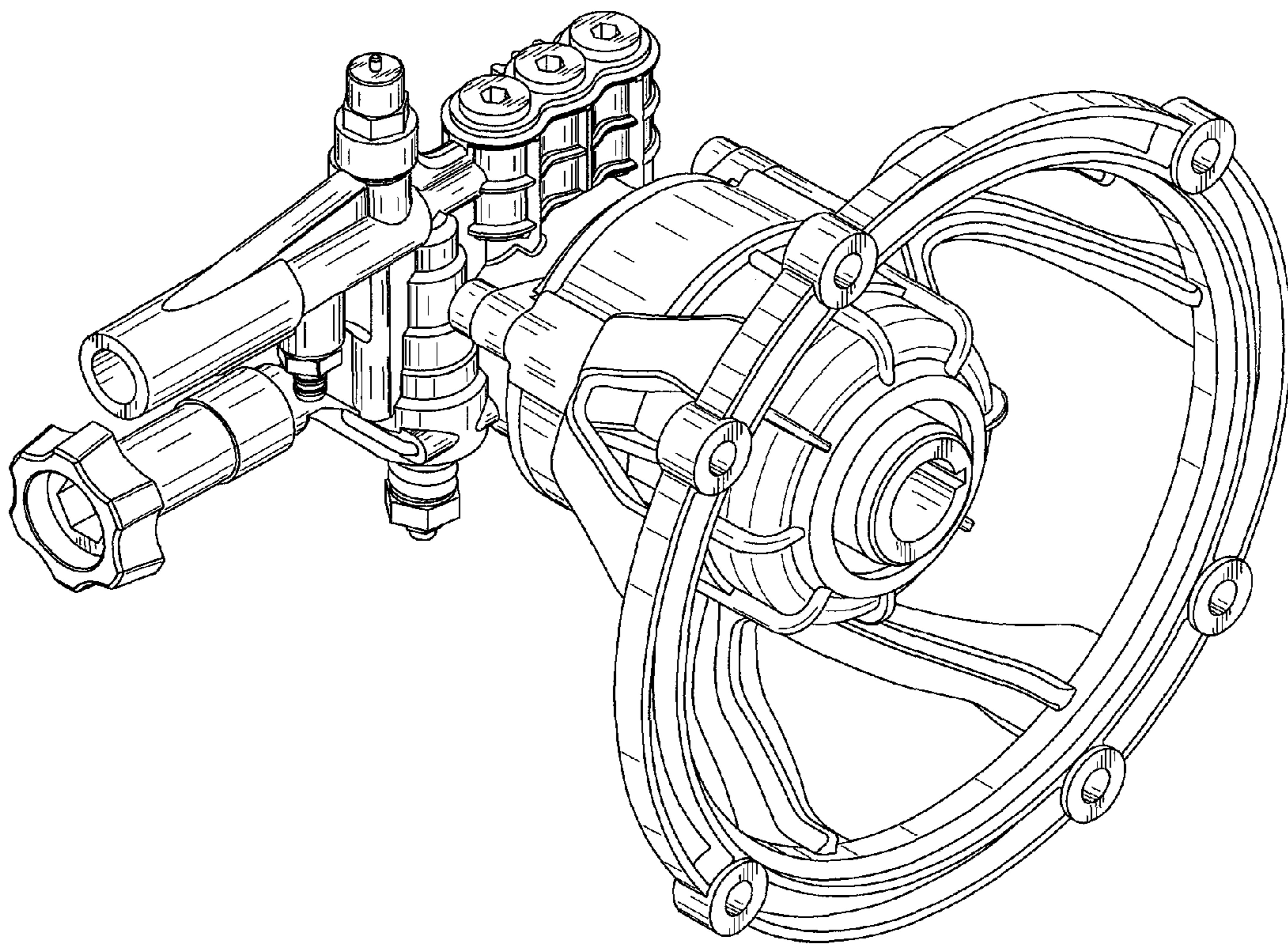


FIG. 1

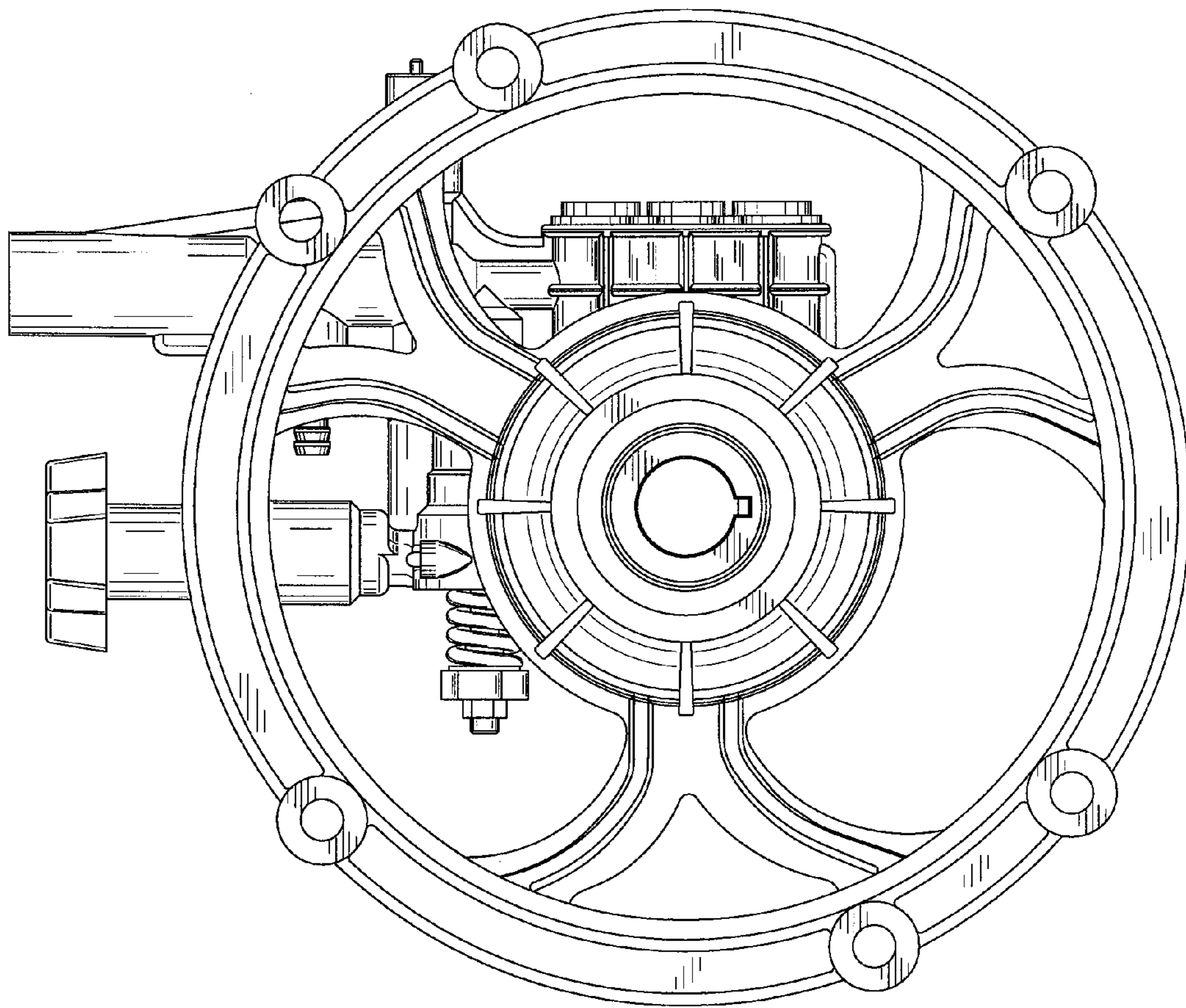


FIG. 2

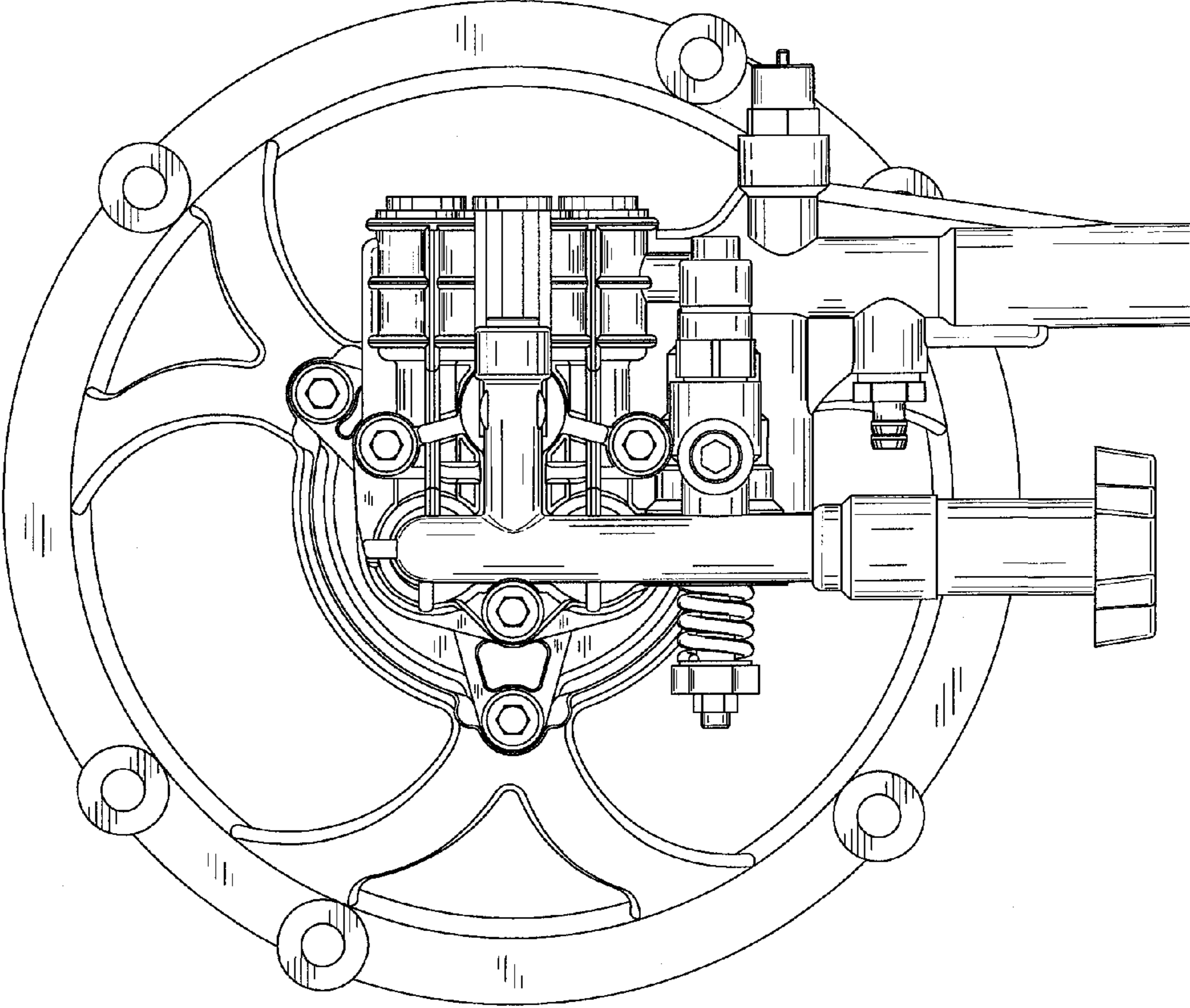


FIG. 3

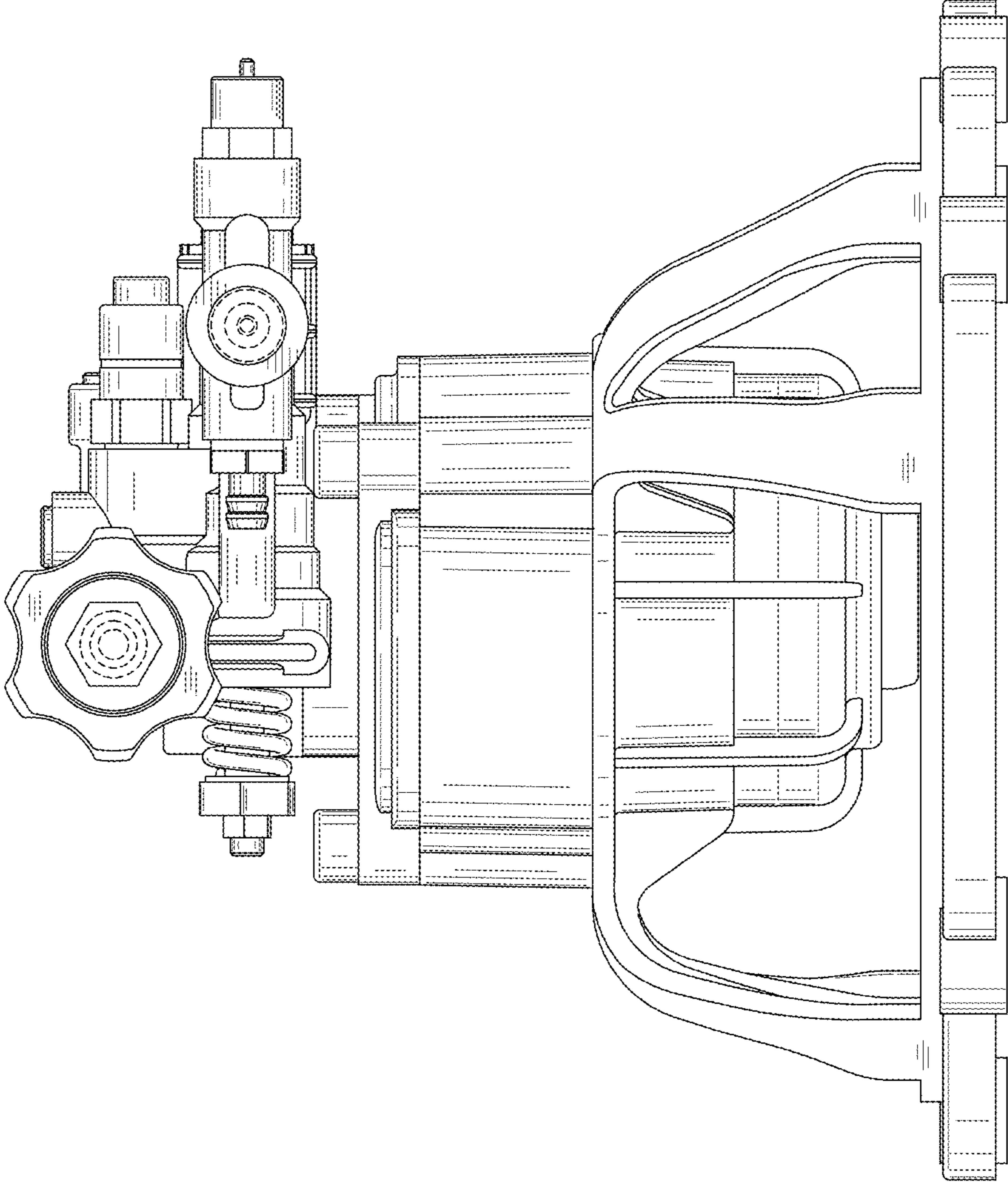


FIG. 4

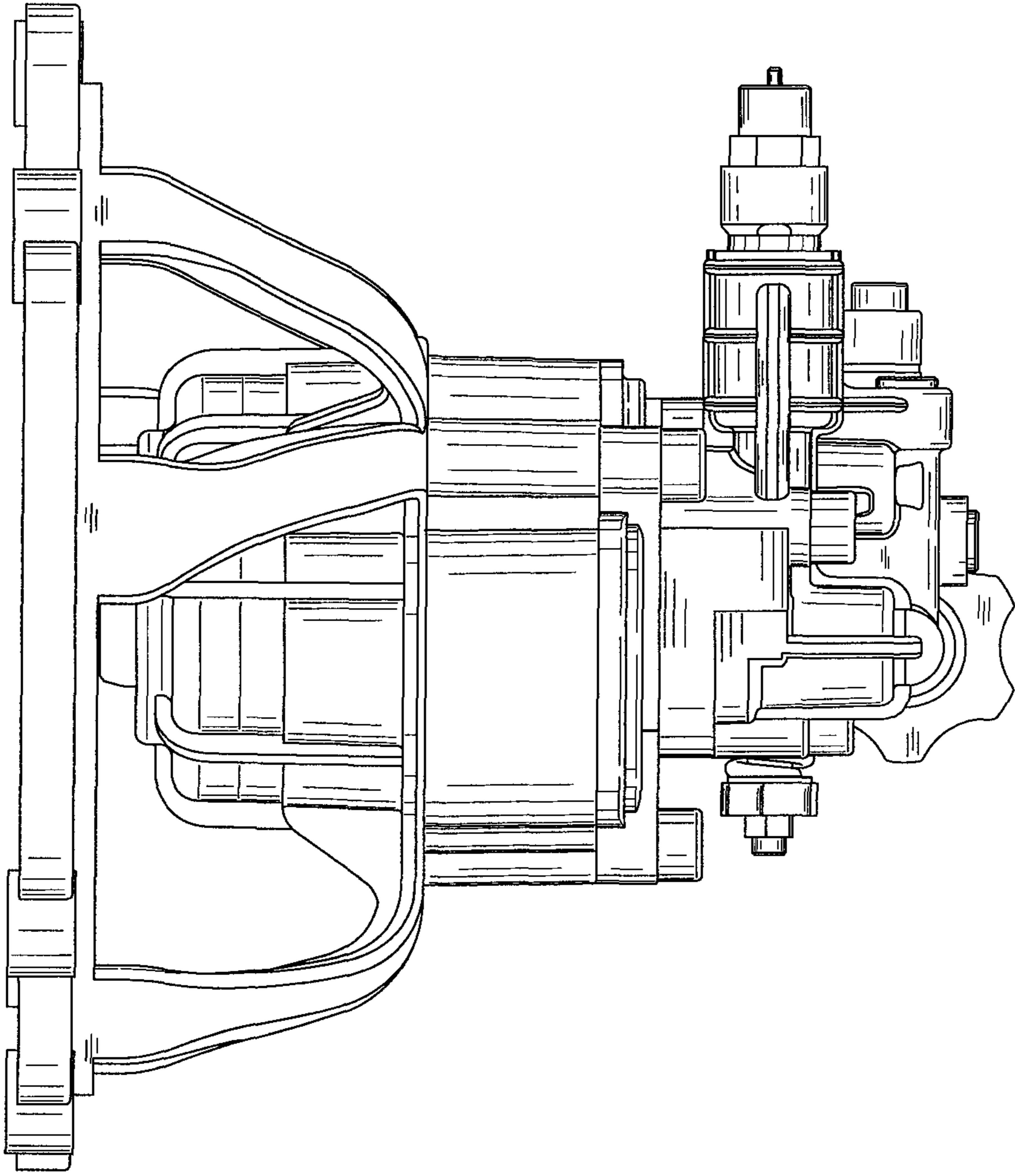


FIG. 5

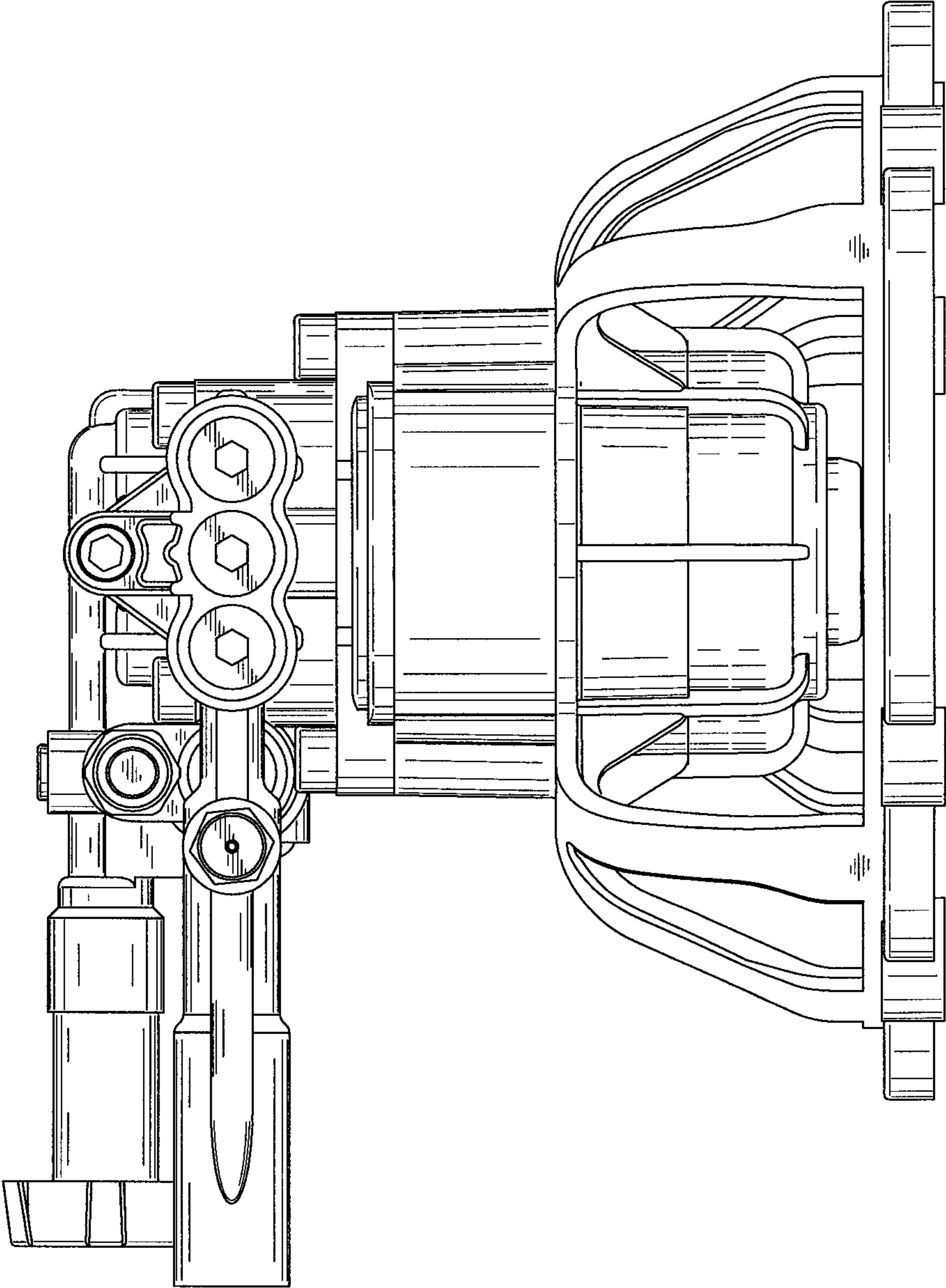


FIG. 6

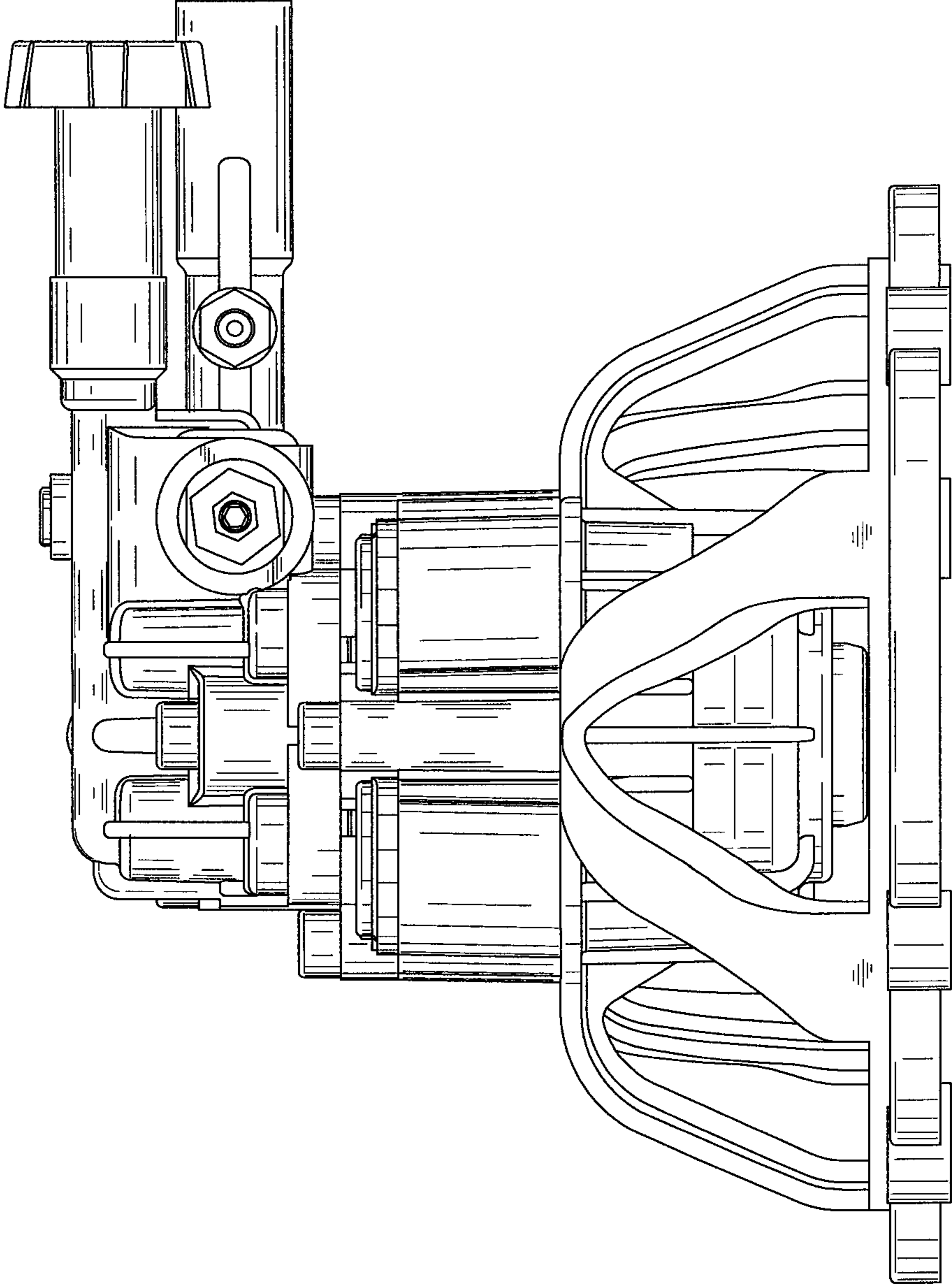


FIG. 7

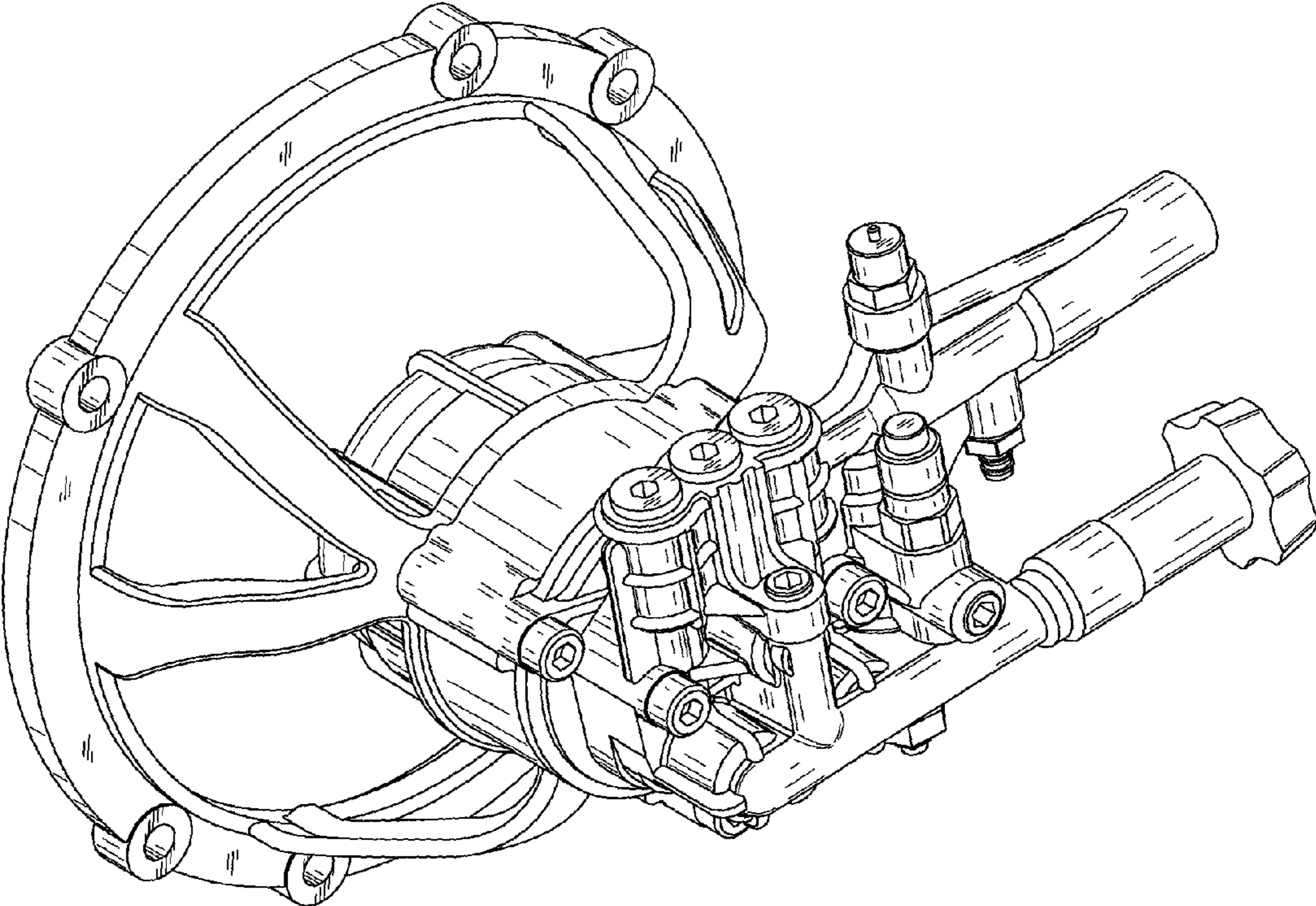


FIG. 8