

US00D691617S

(12) **United States Design Patent**
Holz et al.

(10) **Patent No.:** **US D691,617 S**
(45) **Date of Patent:** **** Oct. 15, 2013**

(54) **DISPLAY SCREEN WITH ANIMATED GRAPHICAL USER INTERFACE**

(75) Inventors: **Elizabeth Ann Holz**, Seattle, WA (US);
Keri Talbot, Seattle, WA (US);
Christopher D. Edwards, Seattle, WA (US)

(73) Assignee: **Microsoft Corporation**, Redmond, WA (US)

(**) Term: **14 Years**

(21) Appl. No.: **29/424,559**

(22) Filed: **Jun. 13, 2012**

(51) **LOC (9) Cl.** **14-04**

(52) **U.S. Cl.**

USPC **D14/485**

(58) **Field of Classification Search**

USPC D14/485-495; 715/700, 703, 715, 730,
715/742, 752, 758, 759, 764, 768, 771, 773,
715/776, 777, 779, 780, 781, 808, 809, 841,
715/842, 843, 848, 864, 867, 962, 963, 970,
715/975, 977

See application file for complete search history.

(56) **References Cited**

U.S. PATENT DOCUMENTS

D450,059	S	*	11/2001	Itou	D14/489
D594,464	S	*	6/2009	Ng et al.	D14/486
D607,001	S	*	12/2009	Ording	D14/486
D613,299	S	*	4/2010	Owen et al.	D14/486
D614,196	S	*	4/2010	Guntaur et al.	D14/486
D619,613	S	*	7/2010	Dunn	D14/488

D665,397	S	*	8/2012	Naranjo et al.	D14/486
D677,677	S	*	3/2013	Edwards	D14/485
2010/0332518	A1	*	12/2010	Song et al.	707/769
2013/0125041	A1	*	5/2013	Doan et al.	715/781
2013/0151963	A1	*	6/2013	Costenaro et al.	715/711
2013/0152007	A1	*	6/2013	Costenaro et al.	715/779
2013/0152015	A1	*	6/2013	Costenaro et al.	715/808

FOREIGN PATENT DOCUMENTS

EM 001325864-0009 * 5/2012

* cited by examiner

Primary Examiner — Angela J Lee

(74) *Attorney, Agent, or Firm* — Banner & Witcoff, Ltd.

(57) **CLAIM**

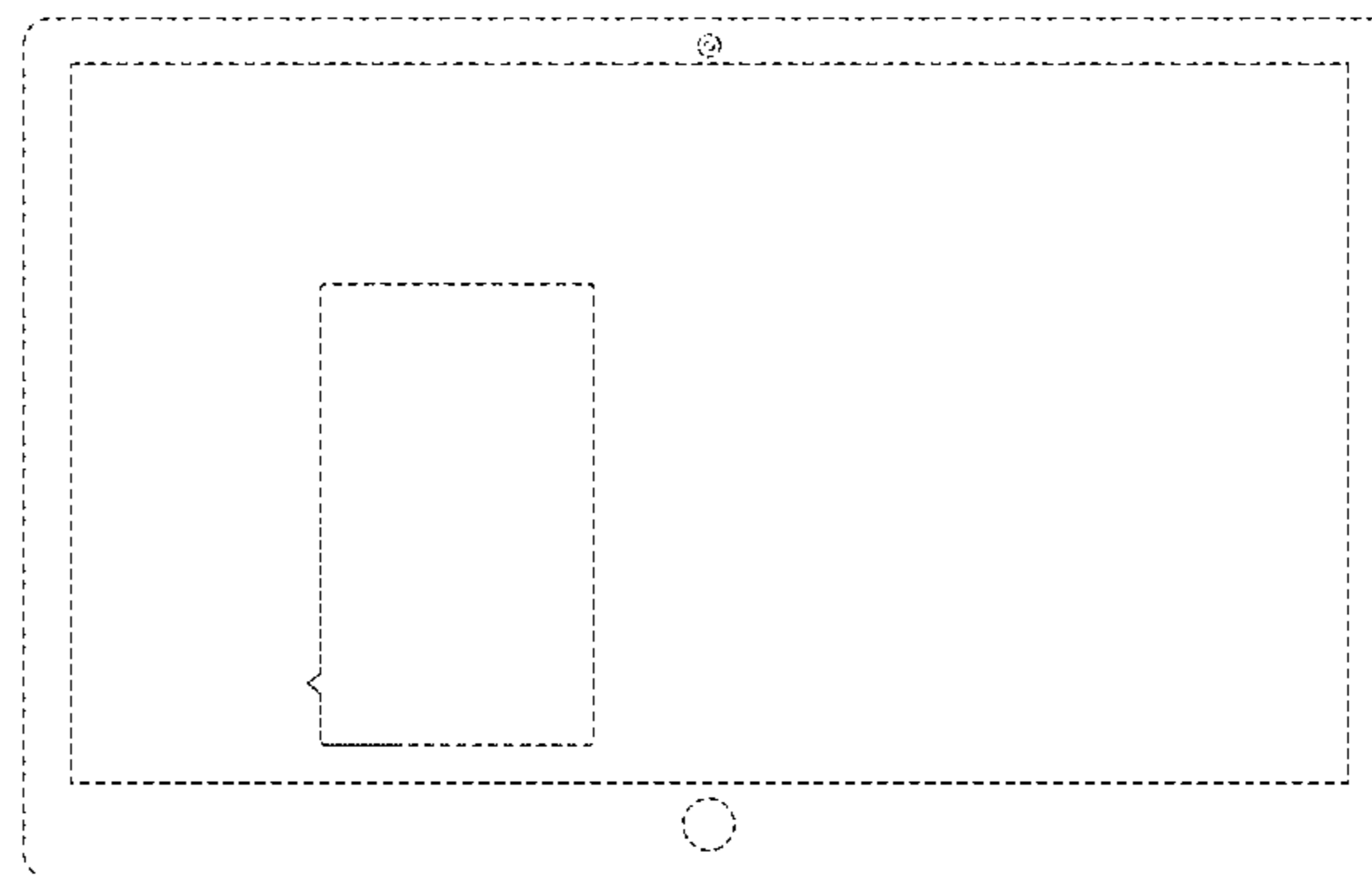
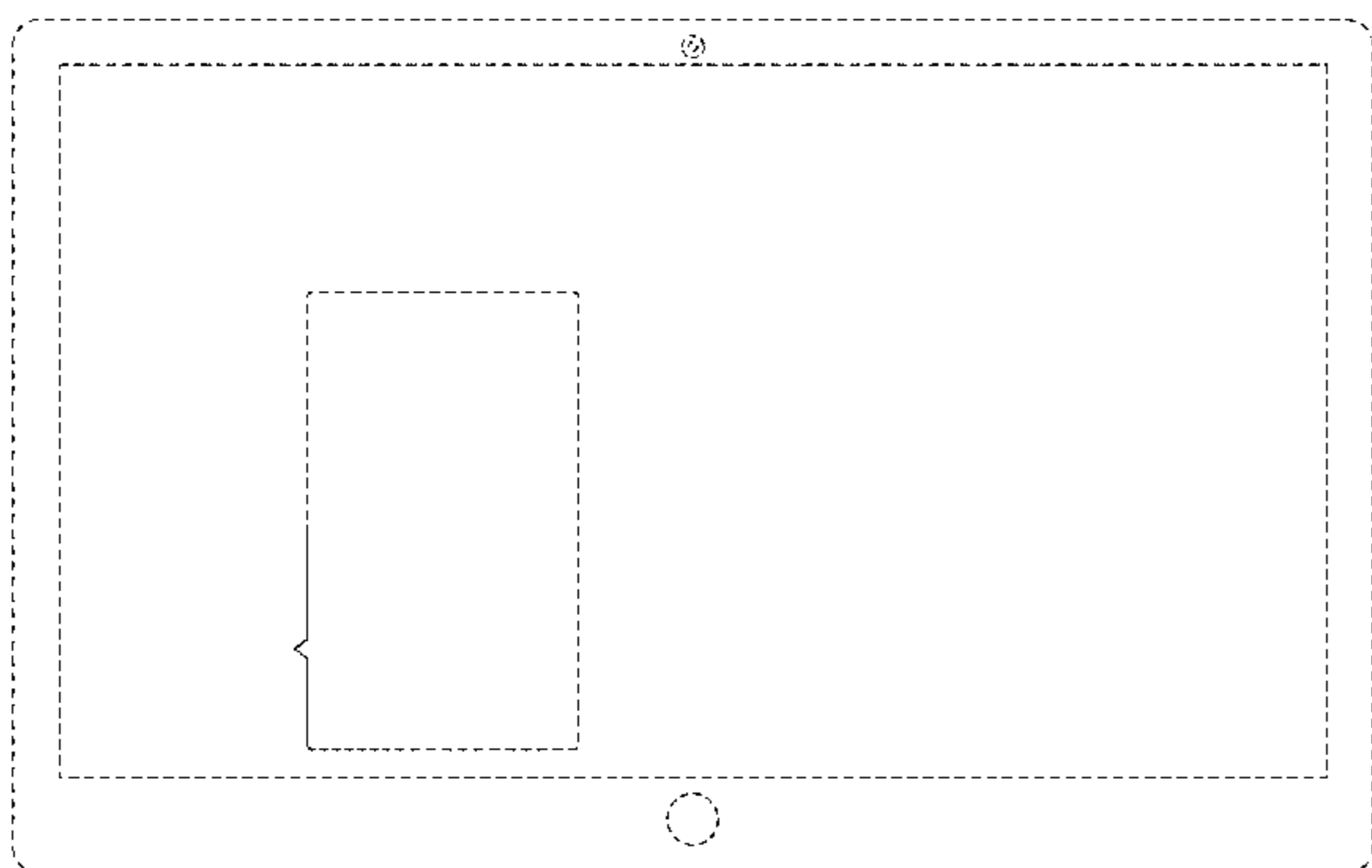
The ornamental design for a display screen with animated graphical user interface, as shown and described.

DESCRIPTION

FIG. 1 is the first image in a sequence for a display screen with animated graphical user interface showing our new design; FIG. 2 is the second image thereof; FIG. 3 is the third image thereof; FIG. 4 is the fourth image thereof; FIG. 5 is the fifth image thereof; and, FIG. 6 is the sixth image thereof.

The appearance of the animated user interface sequentially transitions between the images shown in FIGS. 1-6. The process or period in which one image transitions to another forms no part of the claimed design. The broken line showing of the remainder of the user interface and display screen is for environmental purposes only and forms no part of the claimed design.

1 Claim, 6 Drawing Sheets



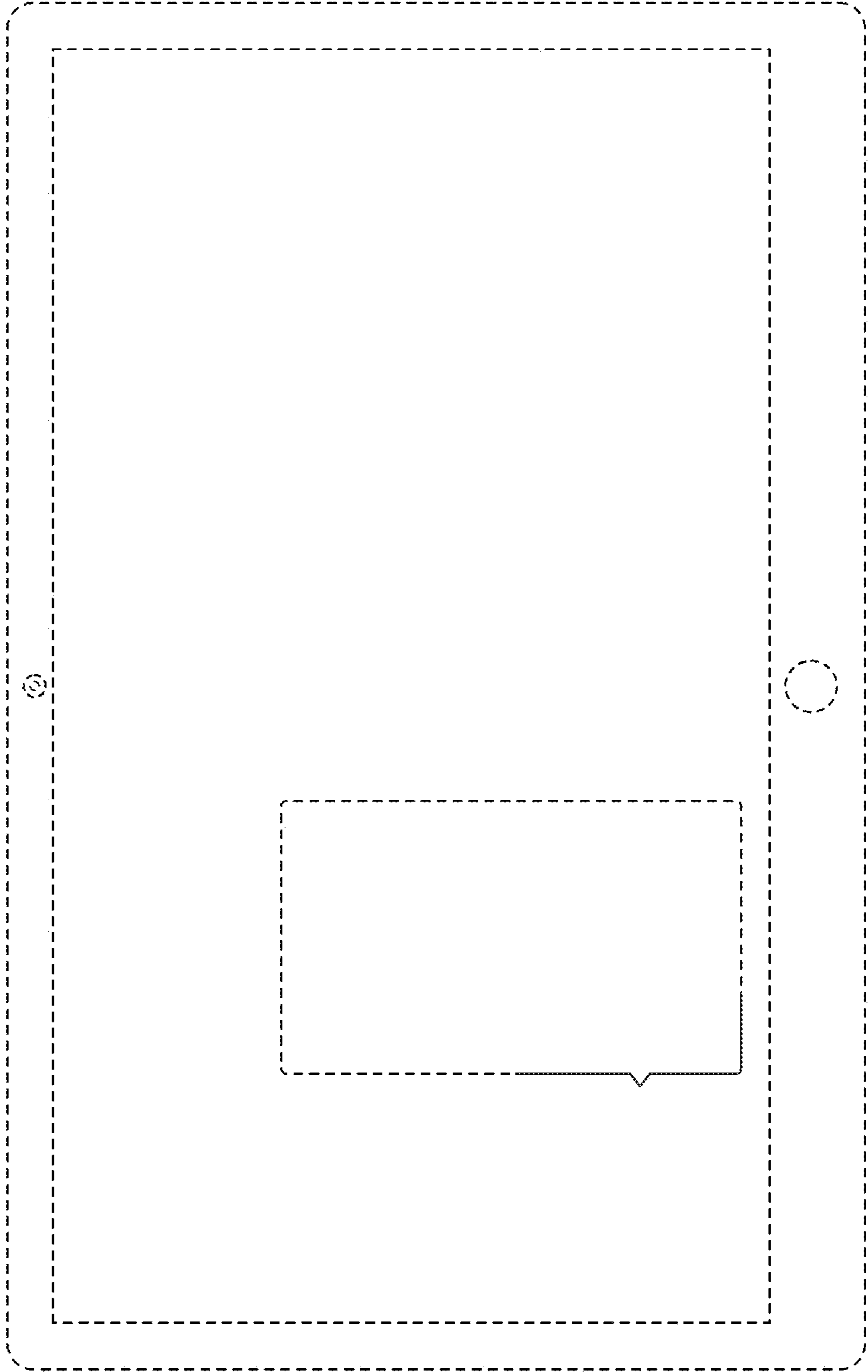


FIG. 1

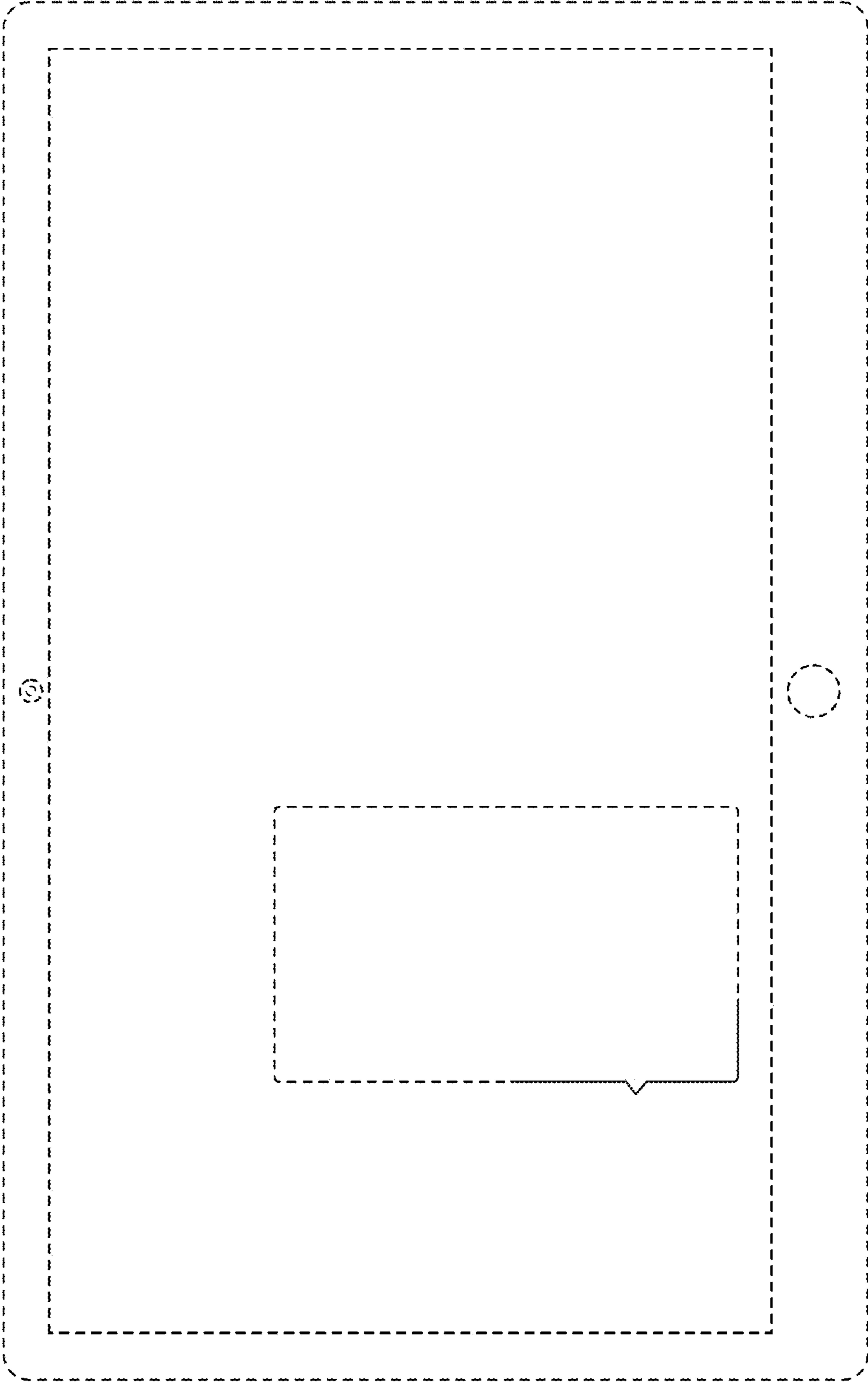
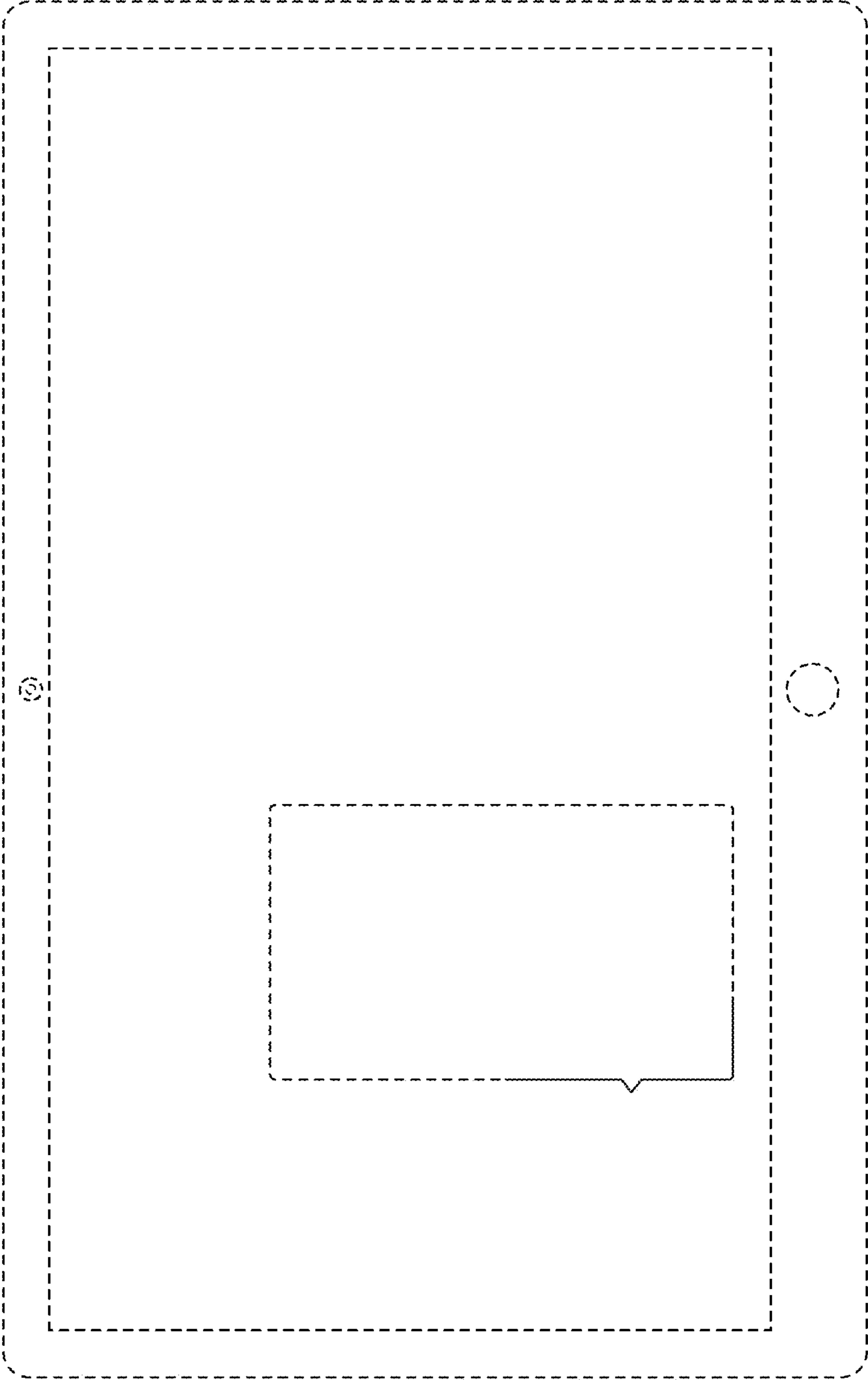


FIG. 2



3

3

FIG. 3

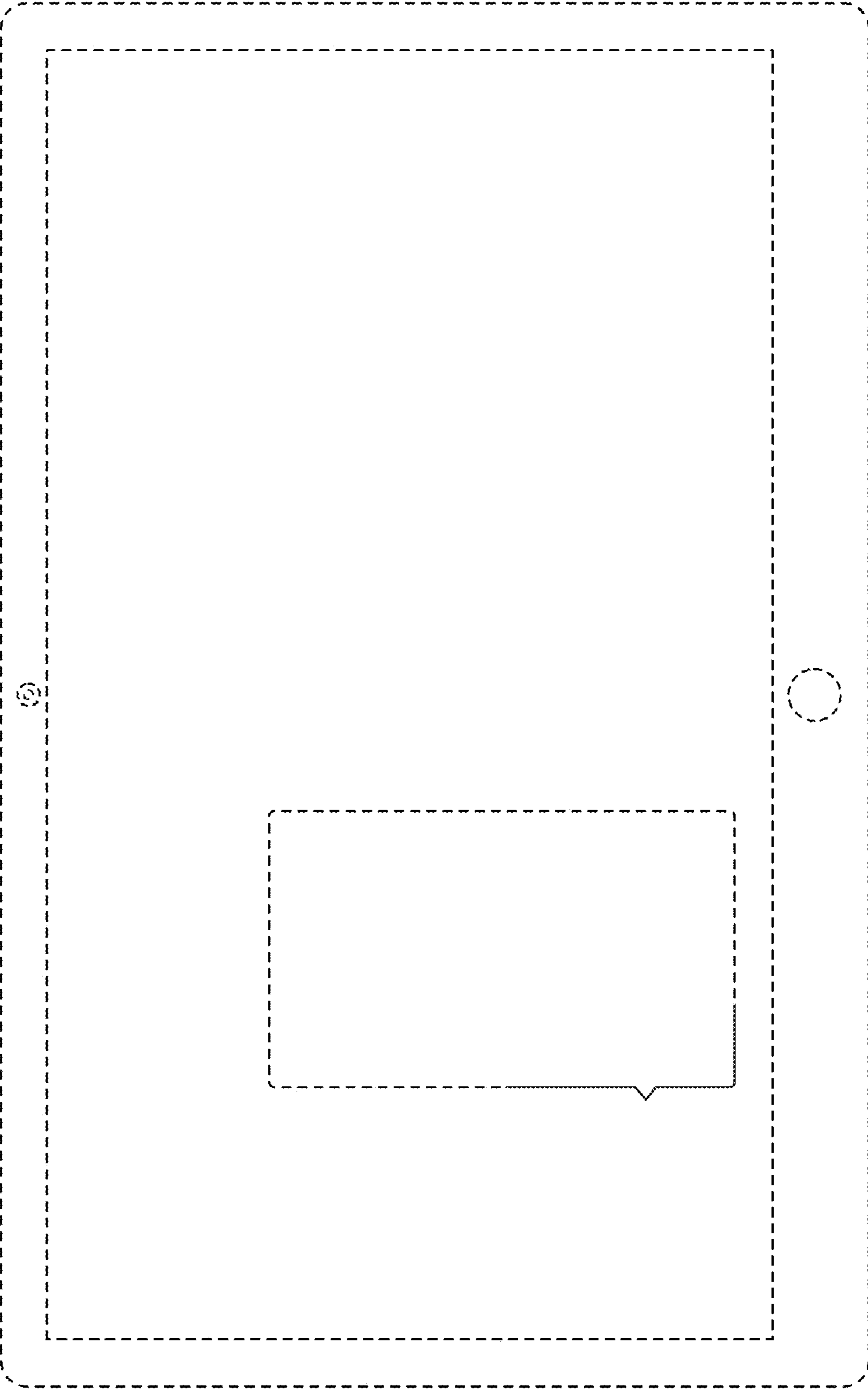
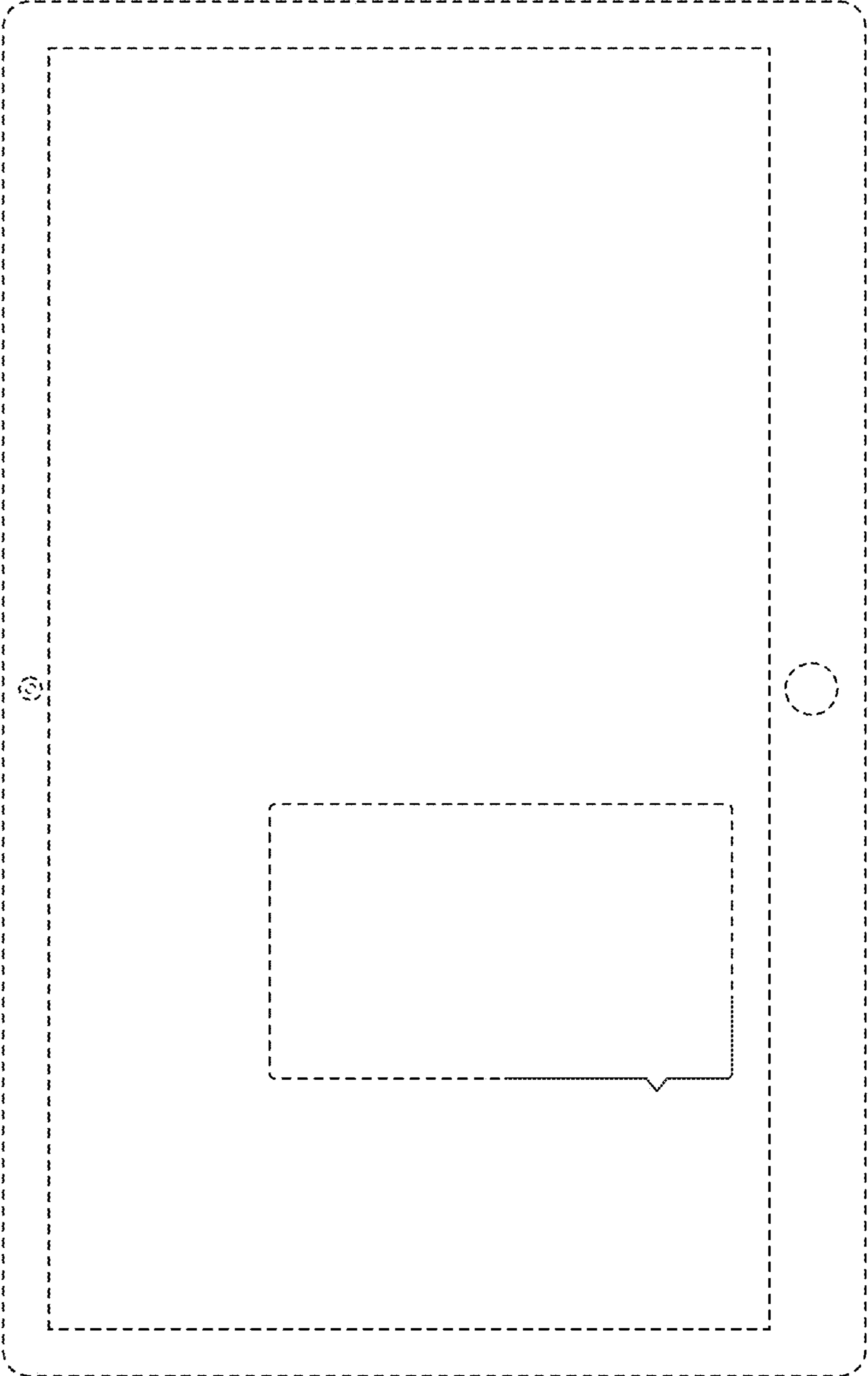


FIG. 4



10

11

FIG. 5

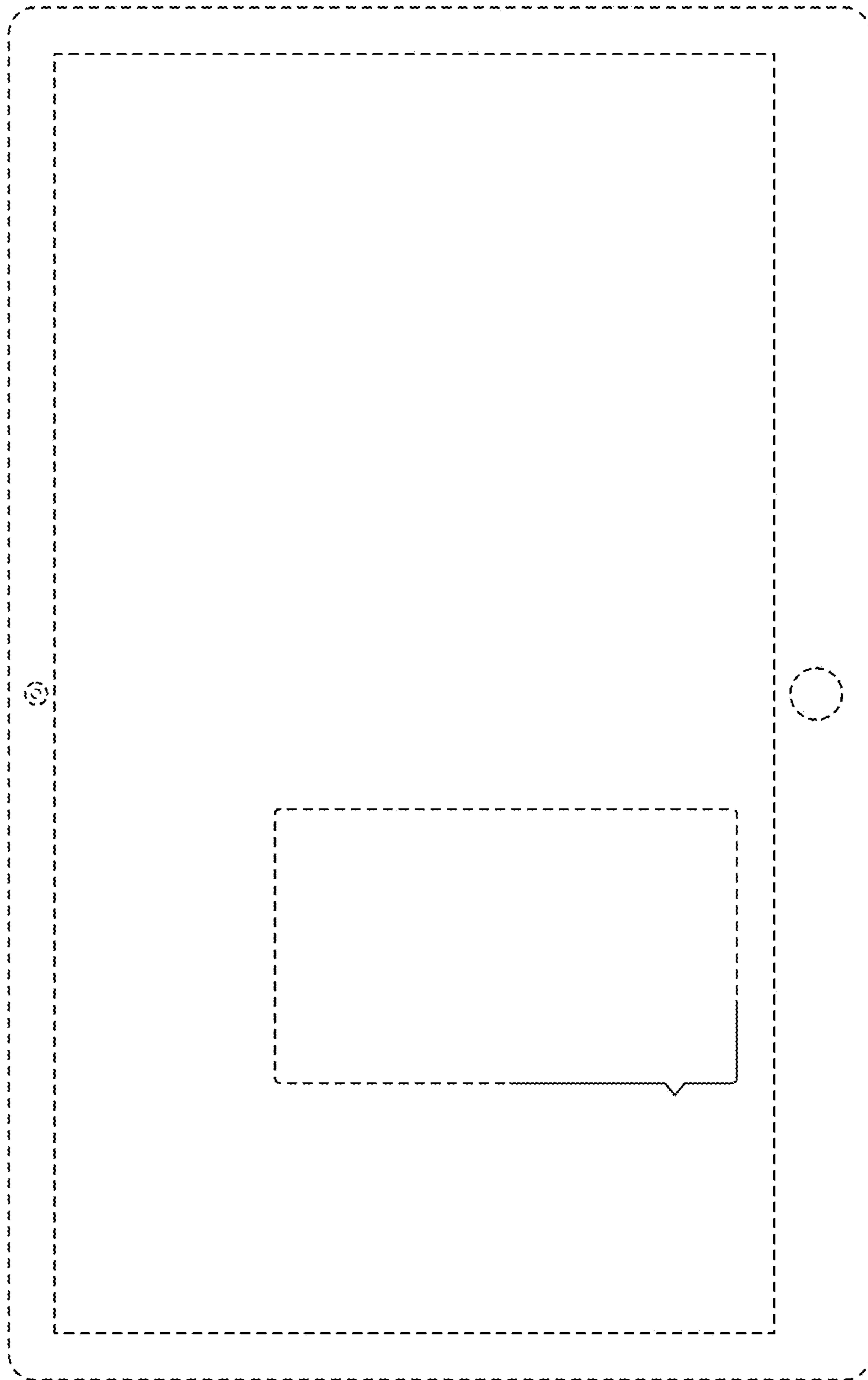


FIG. 6