

US00D691614S

(12) **United States Design Patent**  
**Holz**

(10) **Patent No.:** **US D691,614 S**  
(45) **Date of Patent:** **\*\* Oct. 15, 2013**

(54) **DISPLAY SCREEN WITH GRAPHICAL USER INTERFACE**

(75) Inventor: **Elizabeth Ann Holz**, Seattle, WA (US)

(73) Assignee: **Microsoft Corporation**, Redmond, WA (US)

(\*\*) Term: **14 Years**

(21) Appl. No.: **29/423,211**

(22) Filed: **May 30, 2012**

(51) **LOC (9) Cl.** ..... **14-04**

(52) **U.S. Cl.**  
USPC ..... **D14/485**

(58) **Field of Classification Search**  
USPC ..... D14/485-495; 715/700, 703, 715, 730, 715/742, 752, 758, 759, 764, 768, 771, 773, 715/776, 777, 779, 780, 781, 808, 809, 841, 715/842, 843, 848, 864, 867, 962, 963, 970, 715/975, 977

See application file for complete search history.

(56) **References Cited**

**U.S. PATENT DOCUMENTS**

6,101,536 A	8/2000	Kotani et al.
D550,234 S	9/2007	Miller et al.
D558,211 S	12/2007	Dongen
D558,212 S	12/2007	Dongen
D559,857 S	1/2008	Van Dongen
D565,585 S	4/2008	Gunn et al.
D569,873 S	5/2008	Borovsky
D570,363 S	6/2008	Ulm et al.
D570,866 S	6/2008	Borovsky et al.
D574,010 S	7/2008	Borovsky et al.
D582,939 S	12/2008	Neuhaus
7,479,949 B2	1/2009	Jobs et al.
D590,412 S	4/2009	Saft et al.
D593,109 S	5/2009	Danton

D593,580 S	6/2009	Truelove et al.	
D604,740 S	11/2009	Matheny et al.	
D607,001 S *	12/2009	Ording .....	D14/486
D613,299 S	4/2010	Owen et al.	
D619,613 S	7/2010	Dunn	
D624,555 S	9/2010	Anzures	
D625,322 S	10/2010	Guntaur et al.	
D626,133 S *	10/2010	Murphy et al. ....	D14/485
D630,224 S	1/2011	Allen	
D638,025 S *	5/2011	Saft et al. ....	D14/486
D643,044 S *	8/2011	Ording .....	D14/486
D648,344 S	11/2011	Arnold	
D653,259 S	1/2012	Vance et al.	
8,088,097 B2 *	1/2012	Markle et al. ....	604/66
D657,376 S	4/2012	Kim et al.	
D660,865 S *	5/2012	Brandel .....	D14/486
D664,977 S *	8/2012	Everingham .....	D14/487
D665,397 S *	8/2012	Naranjo et al. ....	D14/486
D665,407 S	8/2012	Bitran et al.	
8,296,684 B2	10/2012	Duarte et al.	
D677,677 S *	3/2013	Edwards .....	D14/485
D680,125 S	4/2013	Chaudhri et al.	
D682,292 S	5/2013	Mori et al.	
D682,872 S	5/2013	Frijlink	
2006/0236269 A1	10/2006	Borna	
2009/0154669 A1	6/2009	Wood et al.	
2010/0081475 A1	4/2010	Chiang et al.	

(Continued)

*Primary Examiner* — Angela J Lee

(74) *Attorney, Agent, or Firm* — Banner & Witcoff, Ltd.

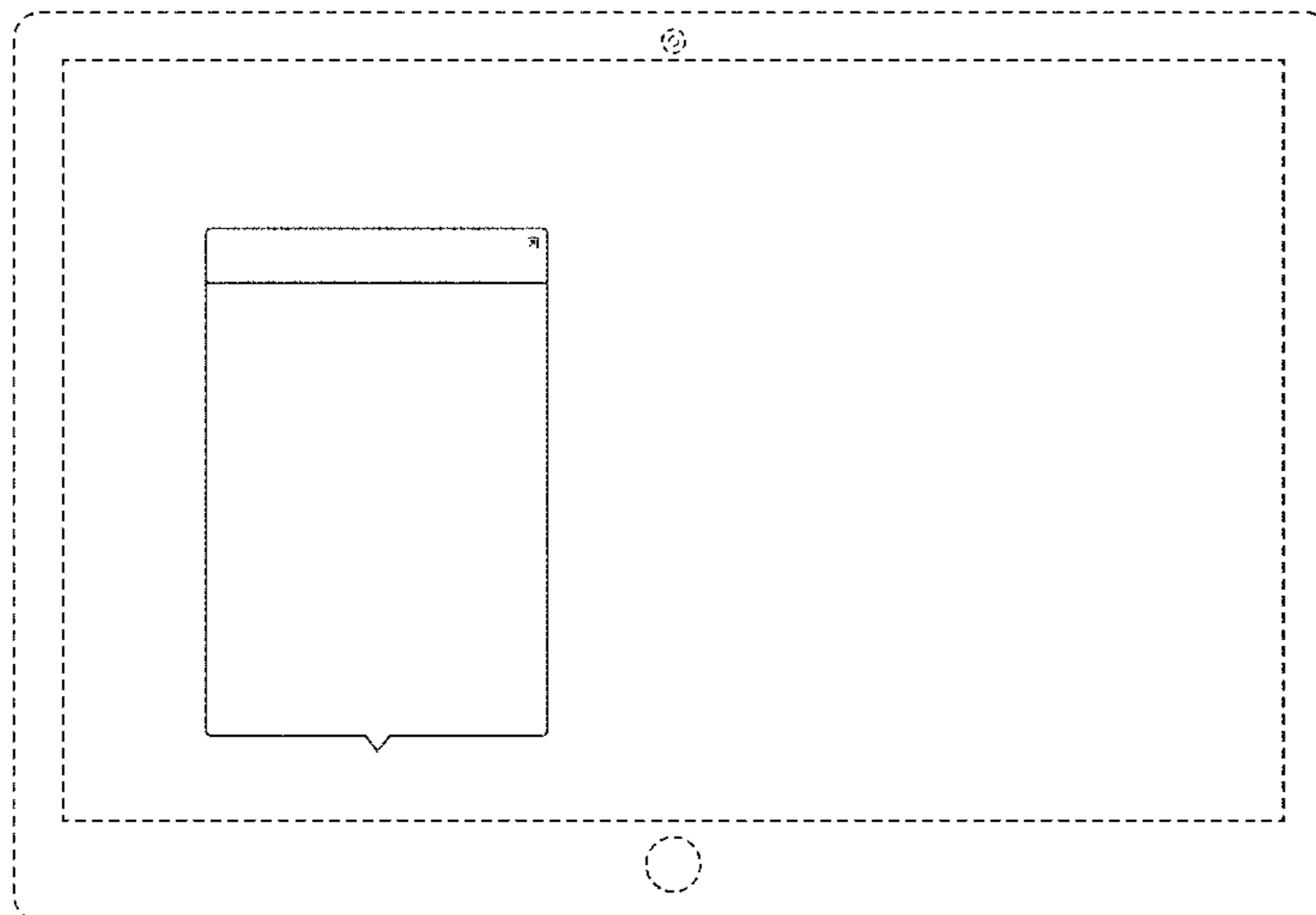
(57) **CLAIM**

The ornamental design for a display screen with graphical user interface, as shown and described.

**DESCRIPTION**

The FIGURE is a front view of a display screen with graphical user interface showing my new design. The broken line showing of the remainder of the graphical user interface and display screen is for environmental purposes only and forms no part of the claimed design.

**1 Claim, 1 Drawing Sheet**



(56)

**References Cited**

U.S. PATENT DOCUMENTS

2010/0211872 A1 8/2010 Rolston et al.  
2010/0332518 A1 12/2010 Song et al.  
2011/0082808 A1 4/2011 Beykpour et al.  
2011/0167369 A1 7/2011 van Os  
2012/0102426 A1 4/2012 Kim et al.

2013/0072262 A1 3/2013 Mhun et al.  
2013/0093793 A1 4/2013 Edwards et al.  
2013/0125041 A1\* 5/2013 Doan et al. .... 715/781  
2013/0151963 A1\* 6/2013 Costenaro et al. .... 715/711  
2013/0151993 A1 6/2013 Mayya et al.  
2013/0152007 A1\* 6/2013 Costenaro et al. .... 715/779  
2013/0152015 A1\* 6/2013 Costenaro et al. .... 715/808

\* cited by examiner

