



US00D691612S

(12) **United States Design Patent**  
**Chen**

(10) **Patent No.:** **US D691,612 S**  
(45) **Date of Patent:** **\*\* Oct. 15, 2013**

(54) **MEDIA STAND WITH CLEANER**

(71) Applicant: **Jason Chen**, Marlton, NJ (US)

(72) Inventor: **Jason Chen**, Marlton, NJ (US)

(\*\*) Term: **14 Years**

(21) Appl. No.: **29/440,132**

(22) Filed: **Dec. 19, 2012**

(51) **LOC (9) Cl.** ..... **08-07**

(52) **U.S. Cl.**  
USPC ..... **D14/447**

(58) **Field of Classification Search**  
USPC ..... D14/447, 432, 433, 439, 440, 451, 452,  
D14/239, 217, 224.1, 251, 252, 253, 457,  
D14/458, 459, 460, 461, 434, 205, 209.1,  
D14/223; D6/406.1, 406.2, 406.3, 406.4,  
D6/406.5, 406.6; D12/415; 361/679.09,  
361/679.21, 679.22, 679.24, 679.26,  
361/679.27, 679.28, 679.3, 679.55, 679.56,  
361/709; 248/917-924, 133, 136, 139, 150,  
248/176.1, 188.6; D13/108, 110; D8/363  
See application file for complete search history.

(56) **References Cited**

**U.S. PATENT DOCUMENTS**

D599,801 S \* 9/2009 Skaf et al. .... D14/434  
D603,840 S \* 11/2009 Lee et al. .... D14/217  
D621,839 S \* 8/2010 Sweet ..... D14/434

D632,122 S \* 2/2011 Foster ..... D6/635  
D637,583 S \* 5/2011 Beal et al. .... D14/217  
D653,669 S \* 2/2012 Kim et al. .... D14/447  
D666,614 S \* 9/2012 Ding ..... D14/253  
D667,011 S \* 9/2012 Wu et al. .... D14/447  
D667,012 S \* 9/2012 Chen et al. .... D14/447  
D673,961 S \* 1/2013 Matsui et al. .... D14/447  
D676,853 S \* 2/2013 Gengler ..... D14/447  
D678,884 S \* 3/2013 Phillips et al. .... D14/440  
D682,839 S \* 5/2013 Sampson et al. .... D14/447

\* cited by examiner

*Primary Examiner* — Angela J Lee

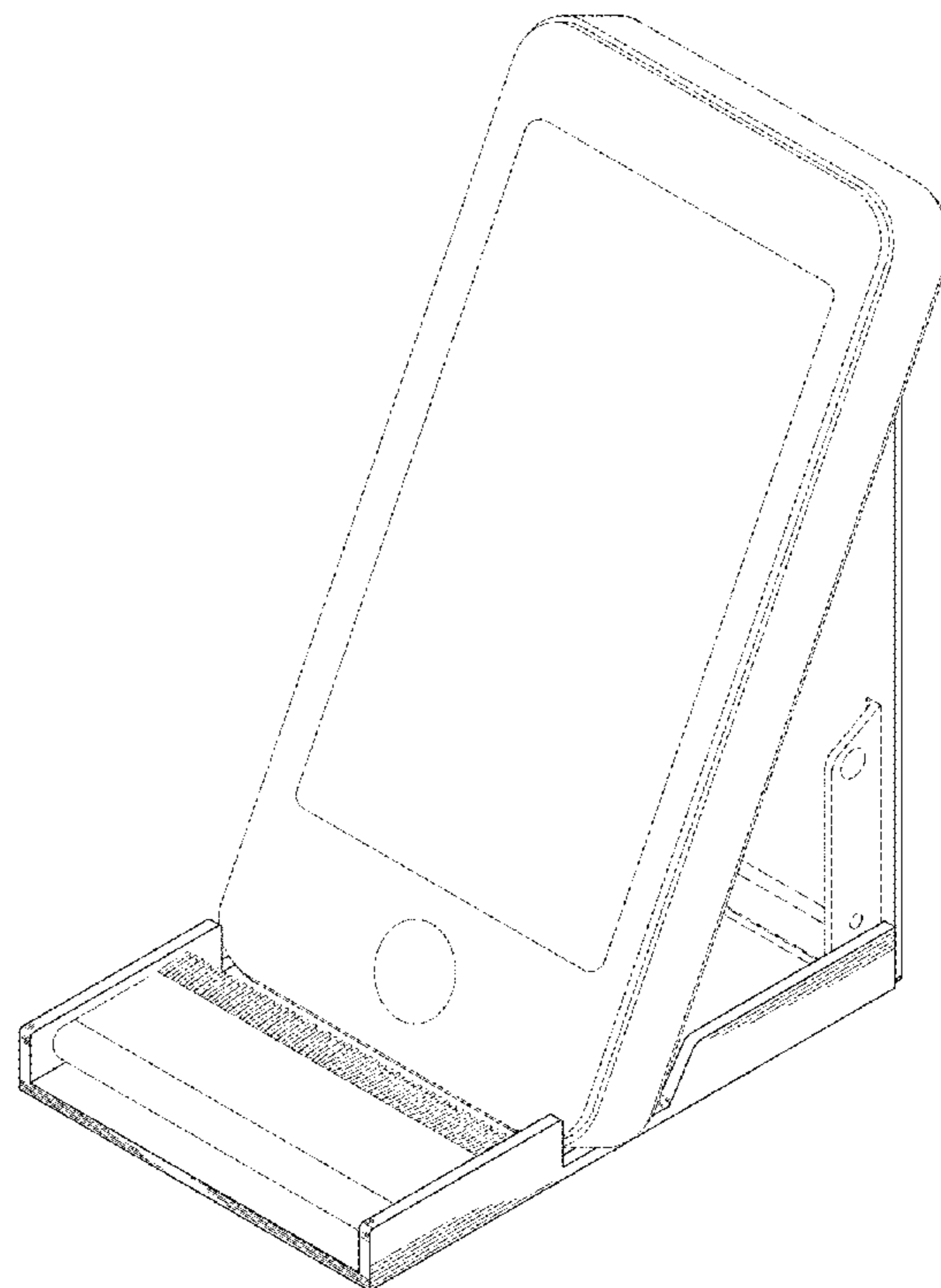
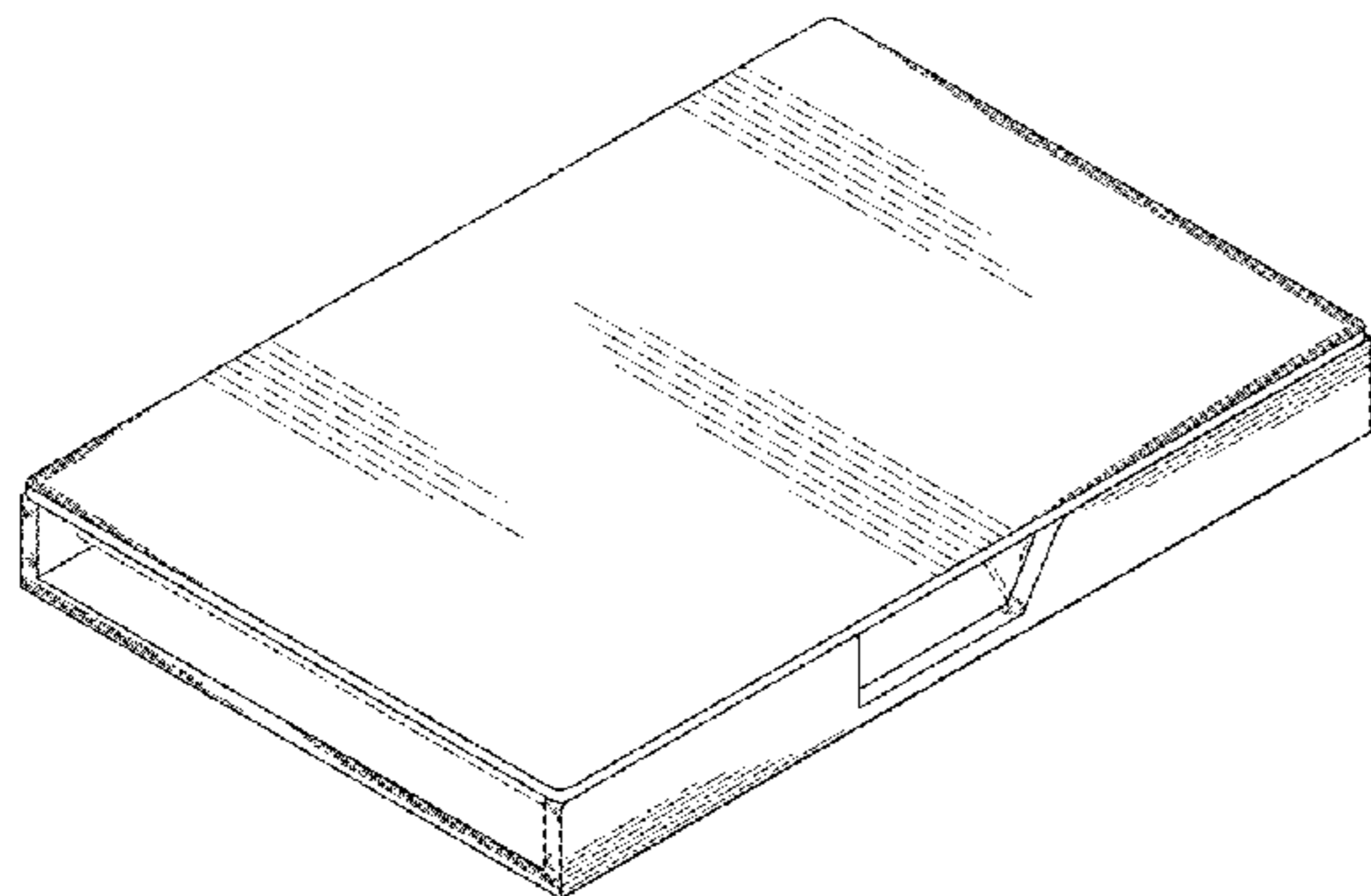
(57) **CLAIM**

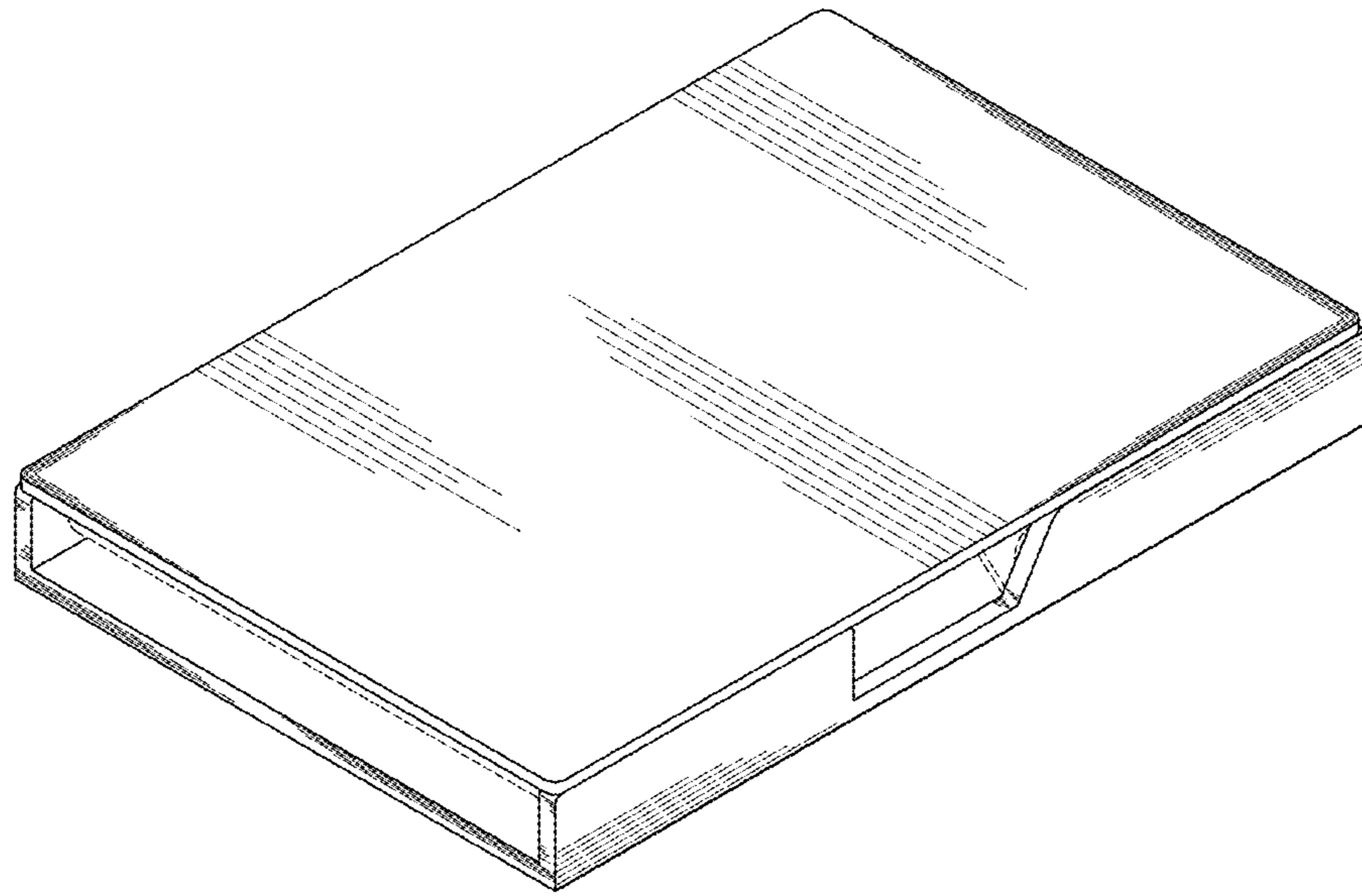
The ornamental design for a media stand with cleaner, is as shown and described.

**DESCRIPTION**

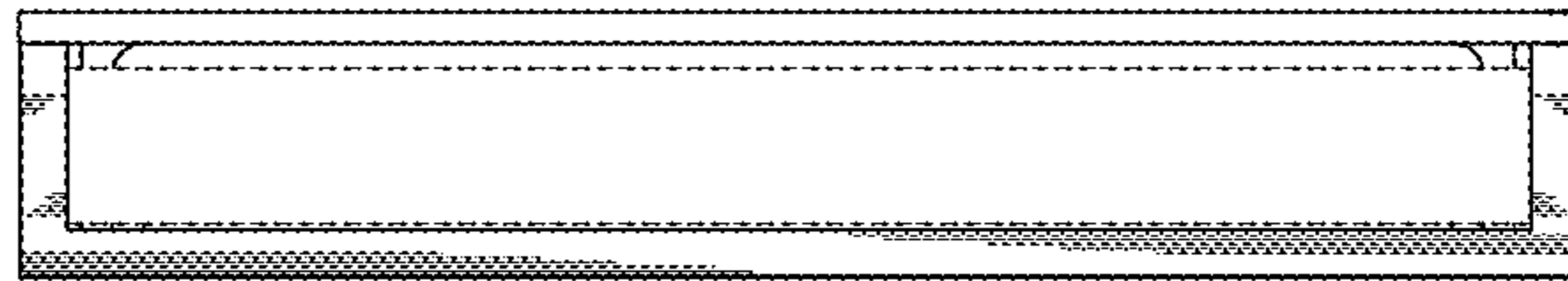
FIG. 1 is a perspective view of a media stand with cleaner showing my new design;  
FIG. 2 is a front elevational view thereof;  
FIG. 3 is a rear elevational view thereof;  
FIG. 4 is a left elevational view thereof;  
FIG. 5 is a right elevational view thereof;  
FIG. 6 is a top view thereof;  
FIG. 7 is a bottom view thereof;  
FIG. 8 is a perspective view of the media stand with cleaner showing a state of use thereof; and,  
FIG. 9 is a perspective view of the media stand with cleaner showing the cleaner in an alternate position.  
The broken line portion of the drawings is included to show unclaimed subject matter only and forms no part of the claimed design.

**1 Claim, 9 Drawing Sheets**

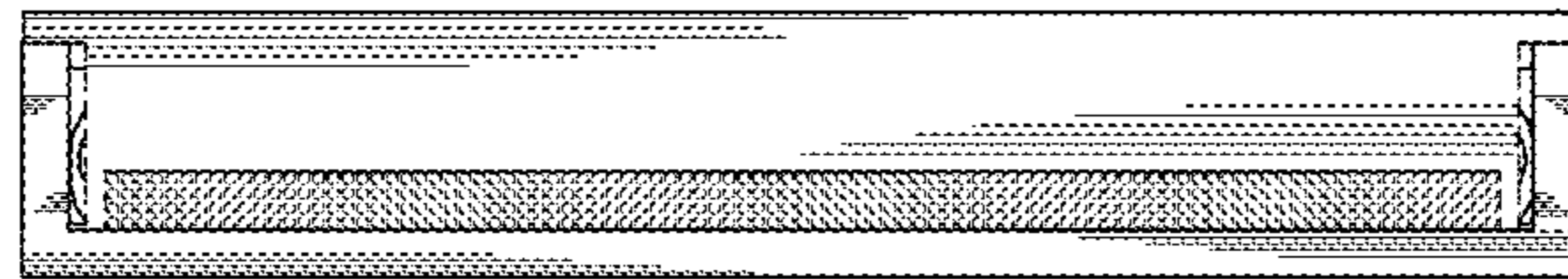




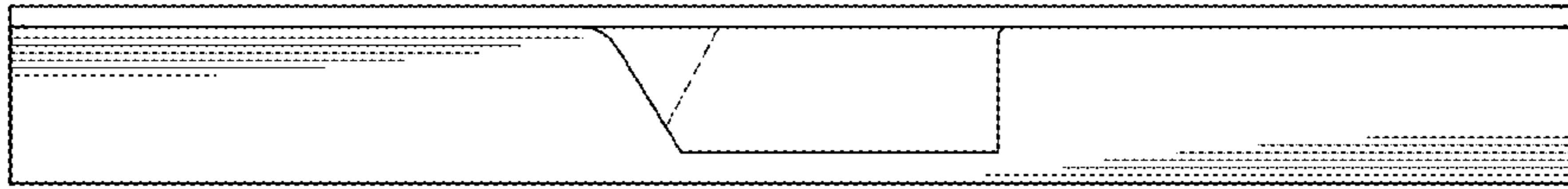
**FIG. 1**



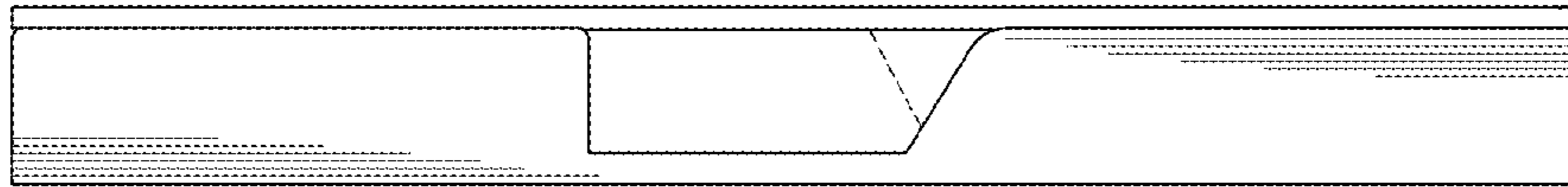
**FIG. 2**



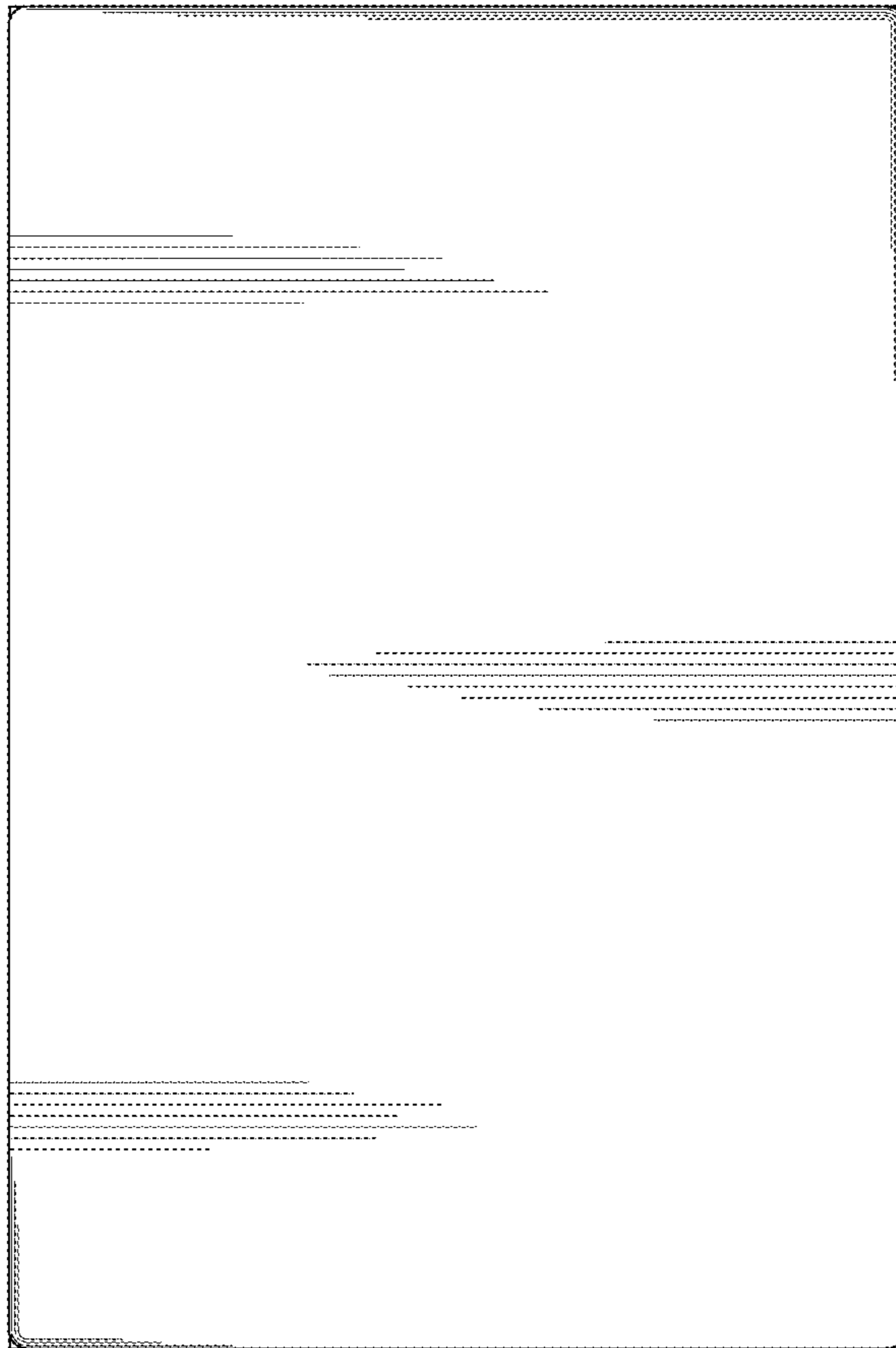
**FIG. 3**



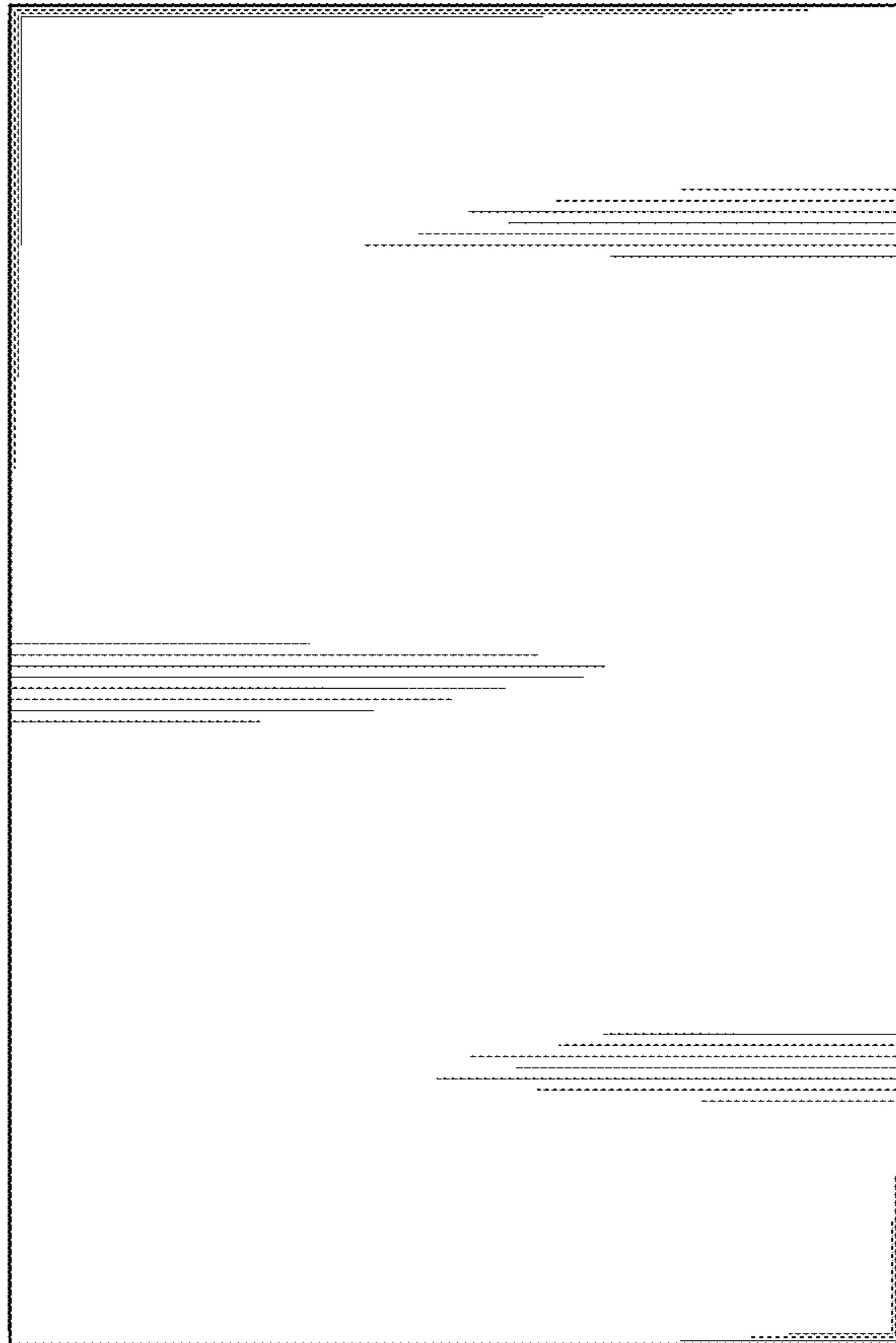
**FIG. 4**



**FIG. 5**

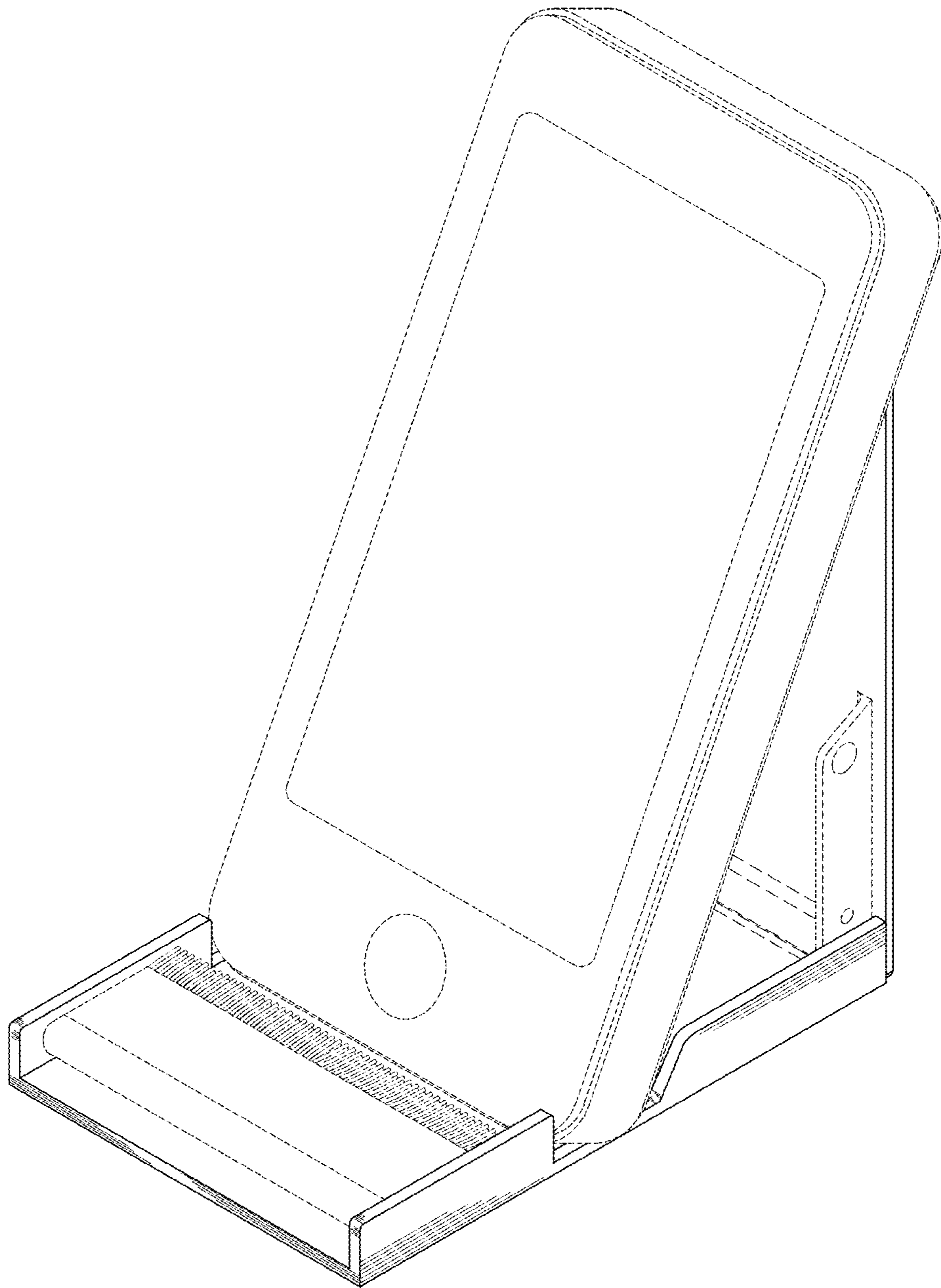


**FIG. 6**

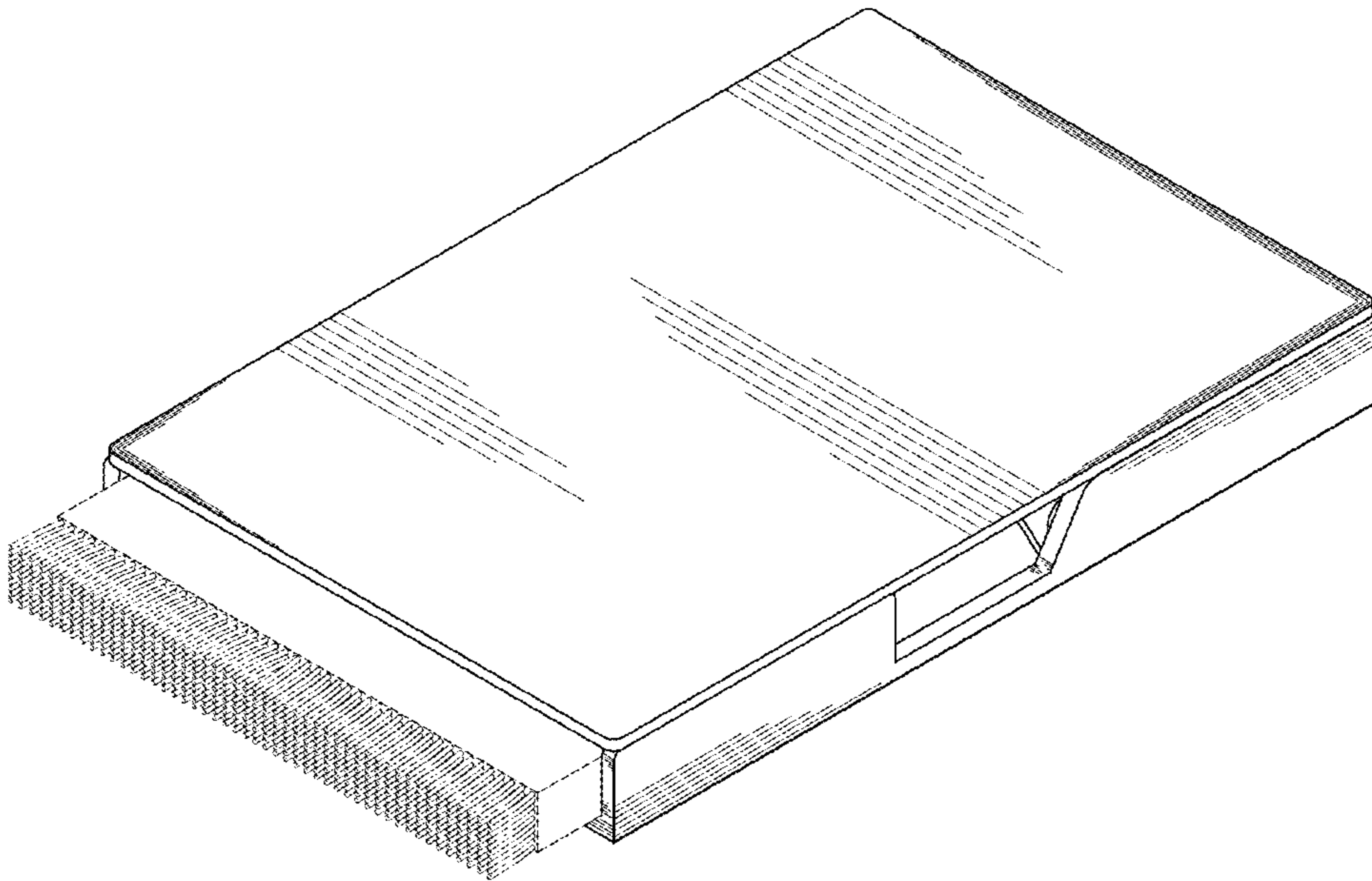


**FIG. 7**





**FIG. 8**



**FIG. 9**