

US00D691611S

(12) **United States Design Patent**
Kirzinger

(10) **Patent No.:** **US D691,611 S**
(45) **Date of Patent:** **** Oct. 15, 2013**

- (54) **TABLET COMPUTER CASE**
- (75) Inventor: **Albert-Johann Kirzinger**, Wolfsburg (DE)
- (73) Assignee: **Volkswagen Aktiengesellschaft**, Wolfsburg (DE)
- (**) Term: **14 Years**
- (21) Appl. No.: **29/400,597**
- (22) Filed: **Aug. 30, 2011**
- (30) **Foreign Application Priority Data**
Apr. 21, 2011 (WO) 599 562 401
- (51) **LOC (9) Cl.** **14-02**
- (52) **U.S. Cl.**
USPC **D14/440**
- (58) **Field of Classification Search**
USPC D14/250, 251, 253, 240, 217, 496, D14/440, 203.3, 203.4, 203.5, 203.8, 432, D14/439, 300, 447, 346, 443; D3/218, 215, D3/201; 220/4.02; 248/309.1, 459; 361/679.56, 679.03; 379/426, 433.11, 455; 455/575.1, 575.8; 190/100; 206/305, 320; D19/86
See application file for complete search history.

- (56) **References Cited**
U.S. PATENT DOCUMENTS
681,976 A * 9/1901 Rathvon 248/456
1,370,279 A * 3/1921 Burzynski 211/43
2,354,782 A * 8/1944 Stradling et al. 281/16
2,726,835 A * 12/1955 Hummel 248/459
4,318,527 A * 3/1982 Smith 248/459
4,703,160 A * 10/1987 Narishima et al. 235/1 D
4,718,550 A * 1/1988 Johnson 206/387.13
D466,356 S * 12/2002 Marsilio D6/632
6,493,969 B2 * 12/2002 Devos 40/120

- D469,438 S * 1/2003 Corrales D14/432
- D471,008 S * 3/2003 Dubone D3/247
- D478,623 S * 8/2003 Wilburn D19/26
- 6,646,672 B2 * 11/2003 Feierbach 348/14.02
- D546,878 S * 7/2007 Bharna D19/26
- 7,318,521 B2 * 1/2008 Lau 206/45.24
- D581,865 S * 12/2008 Koza D13/102
- D584,314 S * 1/2009 Davis et al. D14/440
- 7,542,052 B2 * 6/2009 Solomon et al. 345/659
- D609,226 S * 2/2010 Hofer et al. D14/248
- 8,016,107 B2 * 9/2011 Emsky 206/320
- D646,266 S * 10/2011 Kim et al. D14/250
- D648,529 S * 11/2011 Brown D3/269
- D654,069 S * 2/2012 Kwon et al. D14/250
- 8,132,670 B1 * 3/2012 Chen 206/320
- D659,139 S * 5/2012 Gengler D14/392
- D662,100 S * 6/2012 Van Den Nieuwenhuizen et al. D14/440
- D662,503 S * 6/2012 Akana et al. D14/439
- D663,304 S * 7/2012 Akana et al. D14/440
- 8,230,992 B2 * 7/2012 Law et al. 206/320
- D665,809 S * 8/2012 Wang et al. D14/439
- 8,235,208 B2 * 8/2012 Sirichai et al. 206/320

(Continued)

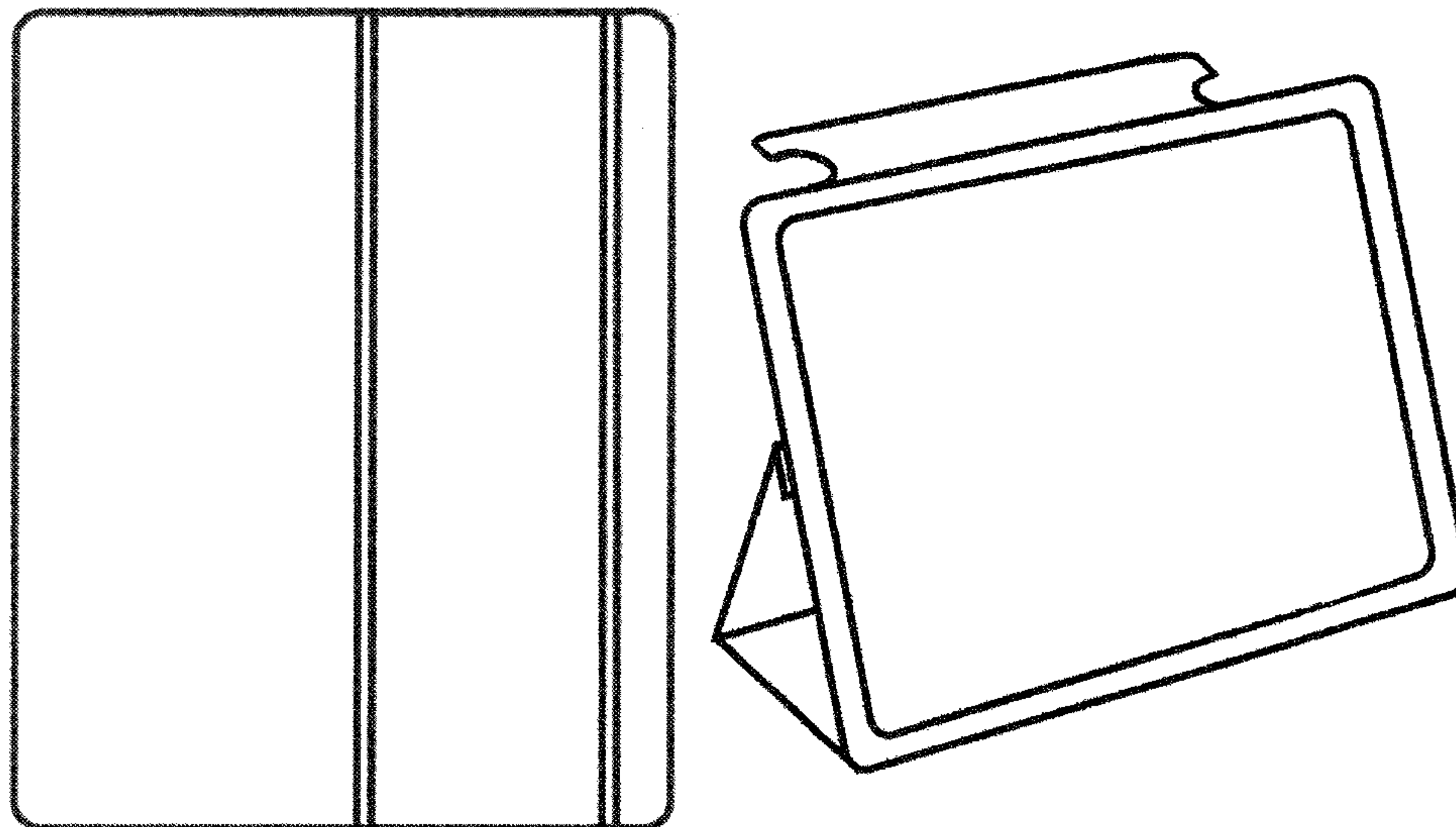
Primary Examiner — Cynthia Underwood
(74) *Attorney, Agent, or Firm* — Lucas & Mercanti, LLP; Klaus P. Stoffel

(57) **CLAIM**
The ornamental design for a tablet computer case, as shown and described.

DESCRIPTION

FIG. 1 is a front view of the tablet computer case of the present invention in a closed condition;
FIG. 2 is a front view thereof shown in an open condition;
FIG. 3 is a rear view thereof shown in a closed condition;
FIG. 4 is a front perspective view thereof in a folded condition; and,
FIG. 5 is a rear perspective view thereof in the folded condition.

1 Claim, 5 Drawing Sheets



US D691,611 S

Page 2

(56)

References Cited

U.S. PATENT DOCUMENTS

8,245,843	B1 *	8/2012	Wu	206/320	2010/0289390	A1 *	11/2010	Kenney	312/223.1
2009/0194209	A1 *	8/2009	De Filippis et al.	150/107	2012/0043231	A1 *	2/2012	Perrier et al.	206/216
2010/0122924	A1 *	5/2010	Andrews	206/320	2012/0170212	A1 *	7/2012	Gallouzi et al.	361/679.56
						2012/0194448	A1 *	8/2012	Rothkopf	345/173
						2012/0212896	A1 *	8/2012	Schulz	361/679.02

* cited by examiner

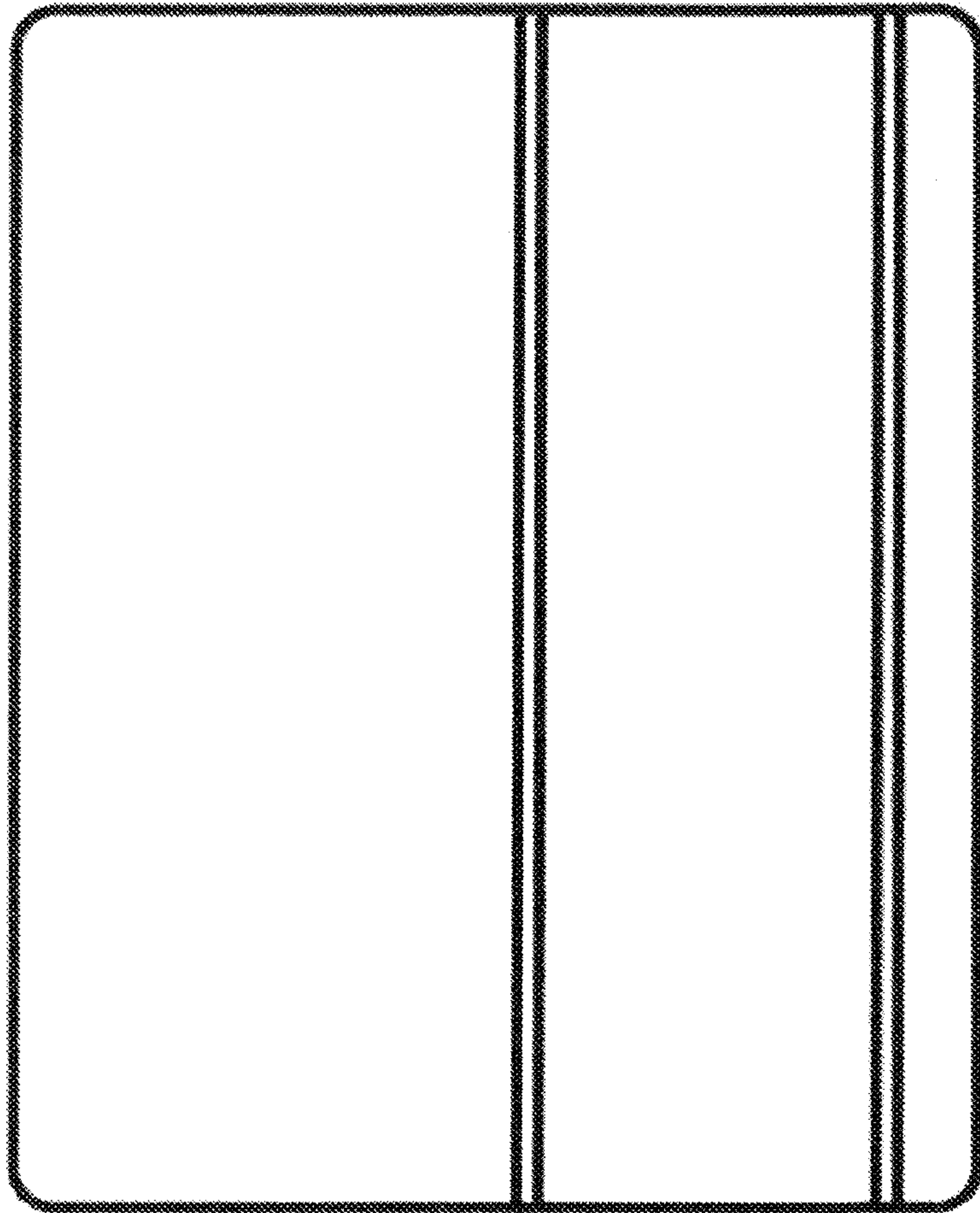


FIG. 1

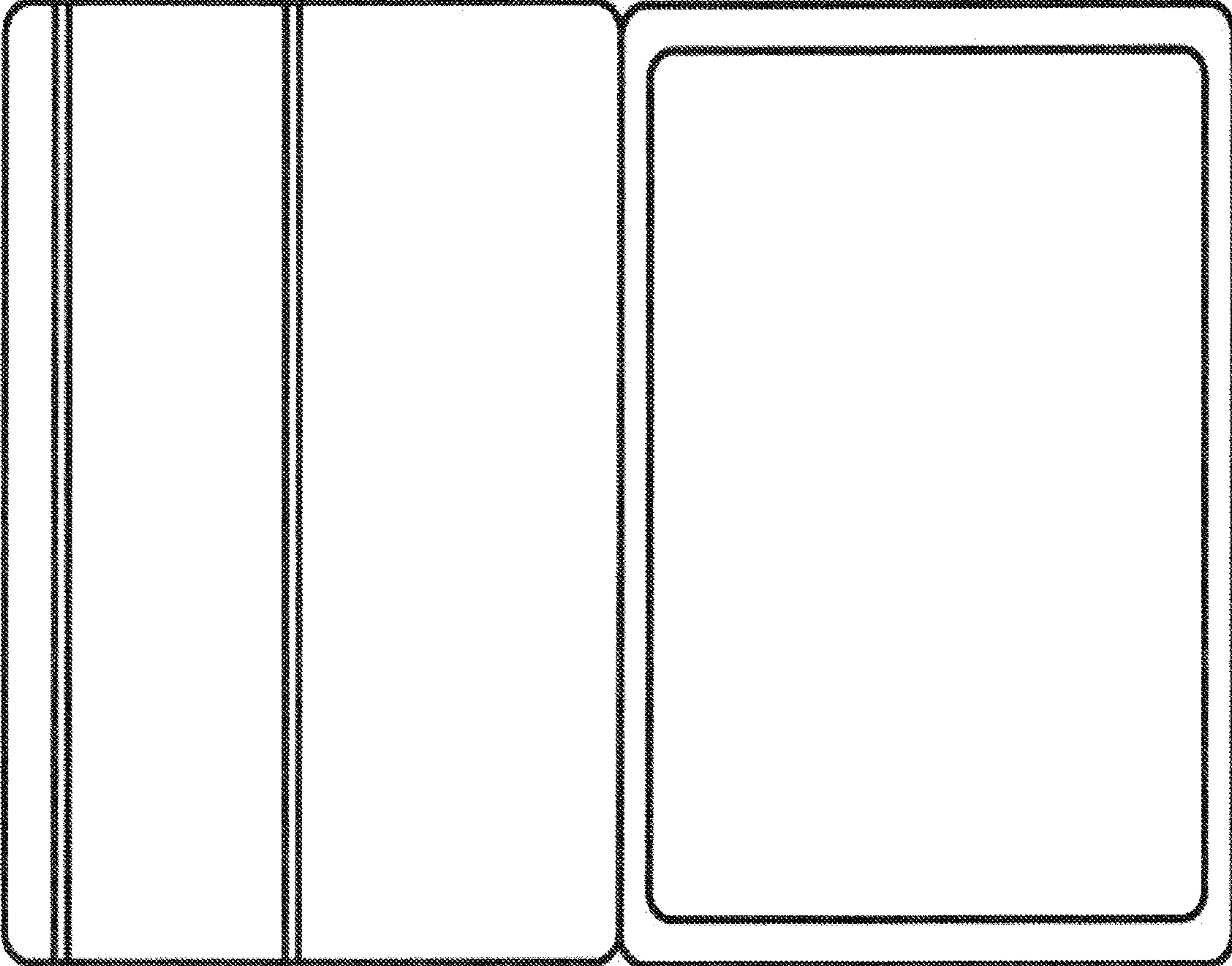


FIG. 2

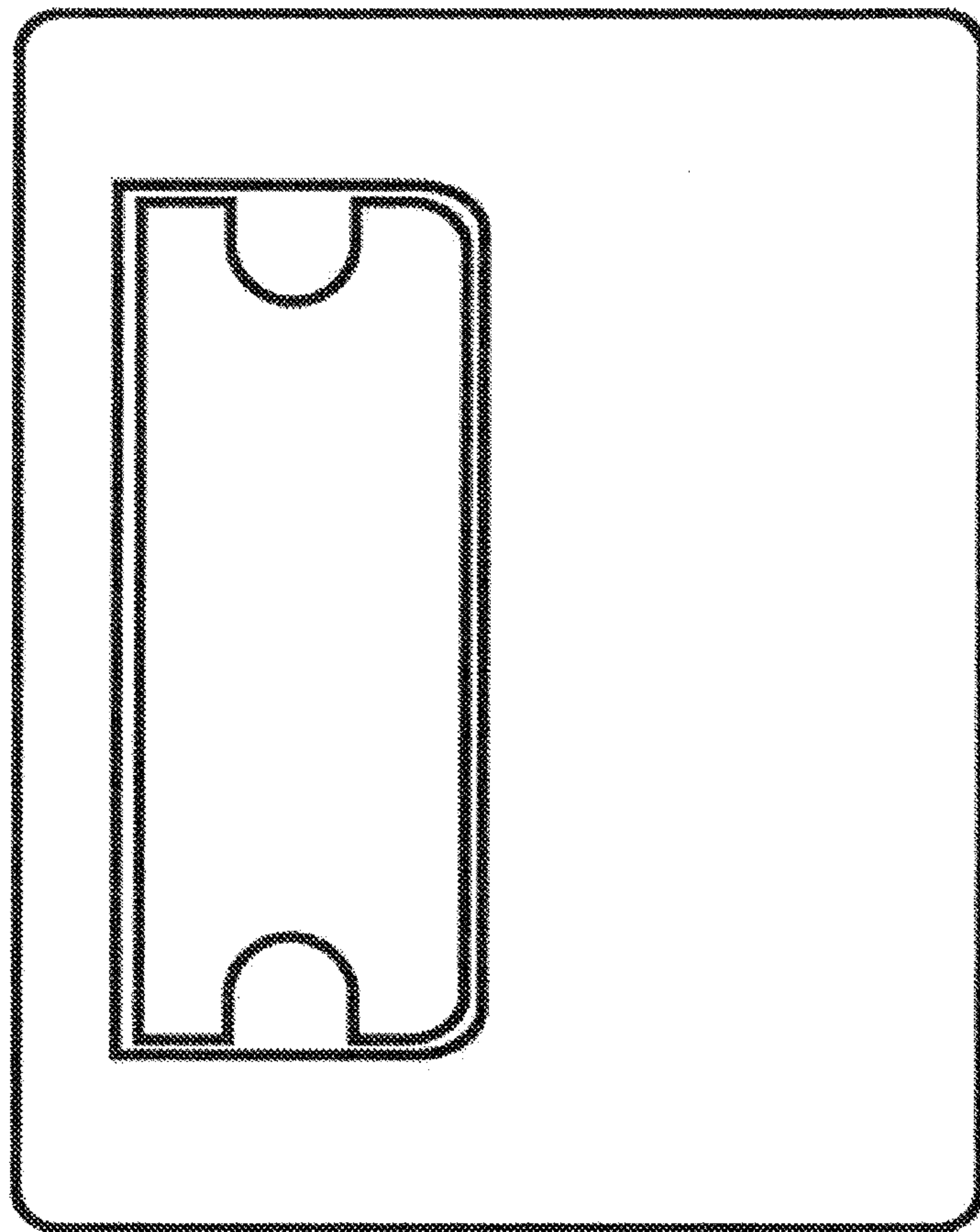


FIG. 3

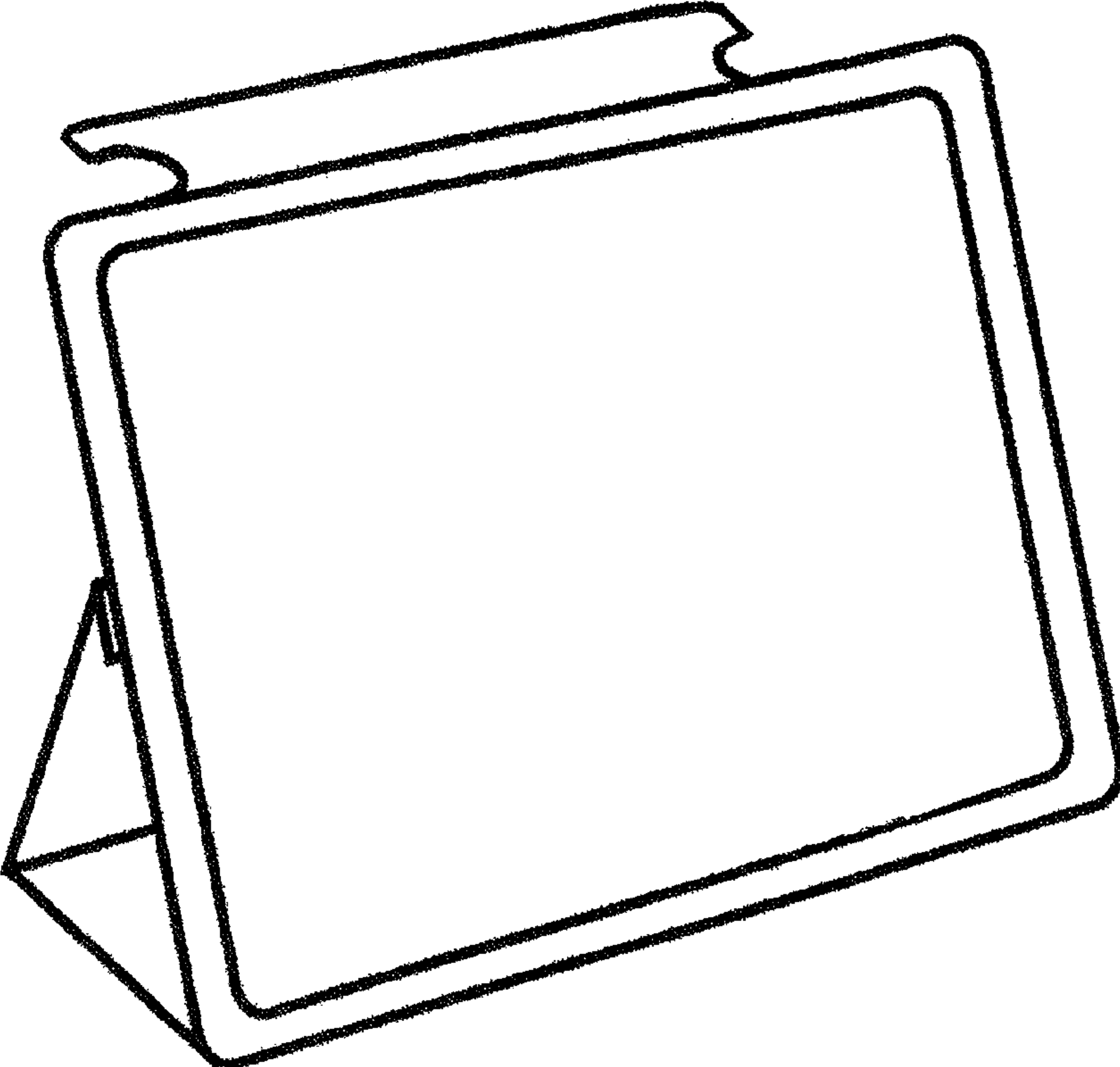


FIG. 4

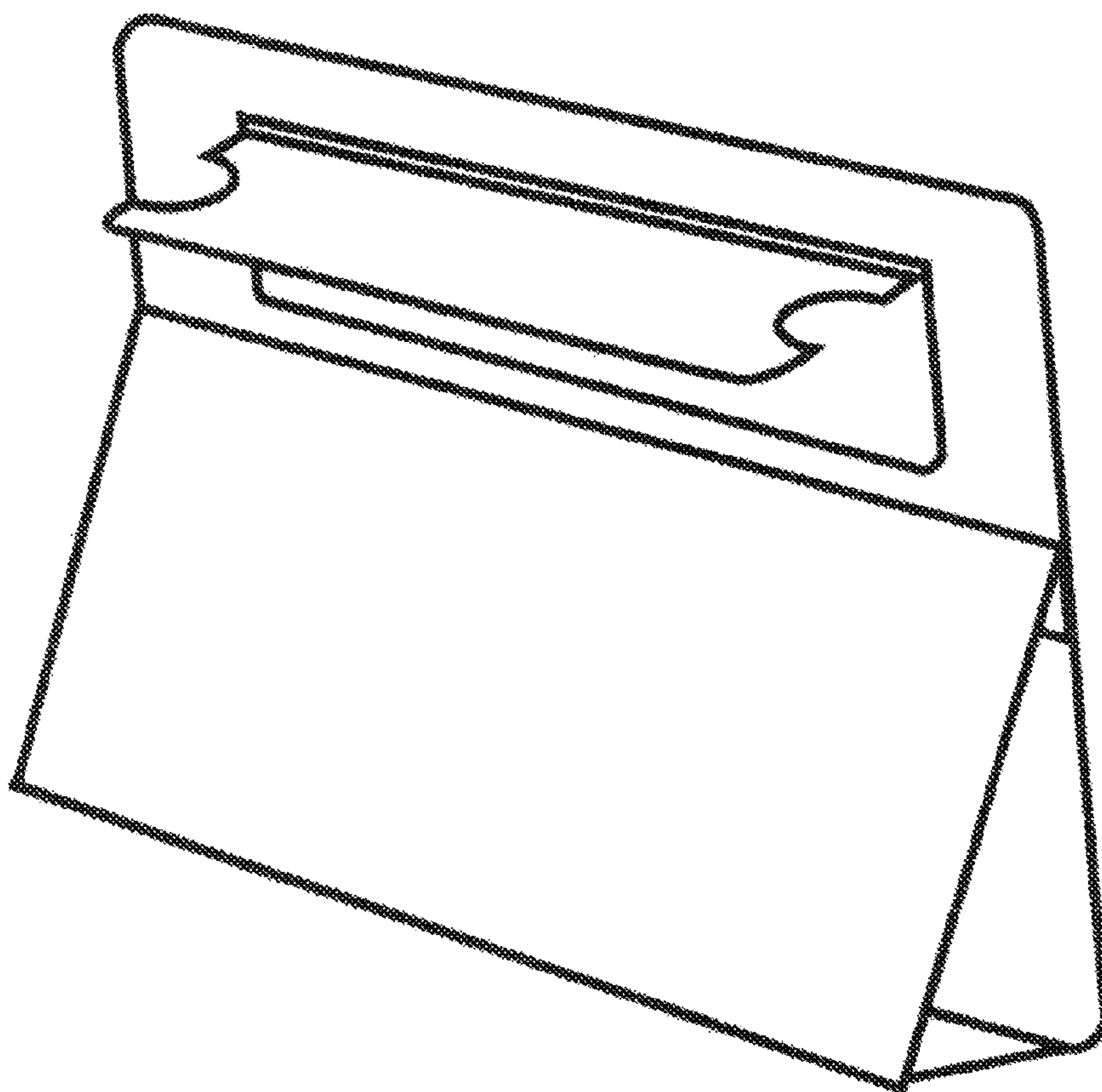


FIG. 5