



US00D691610S

(12) **United States Design Patent**
Lepp et al.

(10) **Patent No.:** **US D691,610 S**
(45) **Date of Patent:** **** Oct. 15, 2013**

(54) **DEVICE SMART CARD**
(75) Inventors: **James Randolph Winter Lepp**, Ottawa (CA); **Jean-Philippe Paul Cormier**, Ottawa (CA); **Johanna Lisa Dwyer**, Kanata (CA)

(73) Assignee: **Blackberry Limited**, Waterloo, Ontario

(**) Term: **14 Years**

(21) Appl. No.: **29/405,845**

(22) Filed: **Nov. 7, 2011**

(51) **LOC (9) Cl.** **14-02**

(52) **U.S. Cl.**
USPC **D14/436; D14/437**

(58) **Field of Classification Search**
USPC D14/435–437, 478–480, 485–495, D14/474, 217; D13/182; 369/275.1–275.5, 369/44.26, 100, 52.1, 272, 273, 280–288; 283/81; 720/718; 435/6, 287.2; 604/891.1; 216/2; D11/80; 235/492, 488, 493, 487, 235/375, 379, 439, 440, 441, 451, 486; 361/737, 748–752; D19/9, 10; D9/457; 705/51; 257/707, 686; 340/5.52, 5.25, 5.74
See application file for complete search history.

(56) **References Cited**

U.S. PATENT DOCUMENTS

4,639,585	A	1/1987	Haghiri-Tehrani et al.	
4,764,803	A	8/1988	Ueda	
4,990,759	A	2/1991	Gloton et al.	
5,031,026	A	7/1991	Ueda	
5,049,728	A	9/1991	Rovin	
5,055,662	A *	10/1991	Hasegawa	235/492
5,208,450	A	5/1993	Uenishi et al.	
5,272,374	A	12/1993	Kodai et al.	
D344,502	S *	2/1994	Gloton	D14/437
5,289,349	A *	2/1994	Nishino	361/813
5,362,955	A	11/1994	Haghiri-Tehrani	

D353,135	S *	12/1994	Gloton	D14/437
5,410,136	A	4/1995	McIntire et al.	
D358,142	S *	5/1995	Gloton	D14/437
D365,092	S *	12/1995	Mundigl et al.	D14/437
5,514,862	A	5/1996	Salzano	
5,531,145	A	7/1996	Haghiri-Tehrani	
D374,870	S *	10/1996	Gaumet	D14/436
D375,303	S *	11/1996	Gaumet	D14/436
5,581,065	A	12/1996	Nishikawa et al.	
5,581,445	A	12/1996	Horejs, Jr. et al.	
5,639,385	A	6/1997	McCormick	
5,671,525	A	9/1997	Fidalgo	
5,677,524	A	10/1997	Haghiri-Tehrani	
D387,746	S *	12/1997	Ishihara	D14/437

(Continued)

OTHER PUBLICATIONS

Nokia, "Nokia 4FF Proposal and Rationale," based on the discussion and feedback from leading suppliers and manufacturers of SIM card connectors, Aug. 25, 2011, 5 pages.

(Continued)

Primary Examiner — Susan Moon Lee

(74) *Attorney, Agent, or Firm* — Hanley, Flight & Zimmerman, LLC.

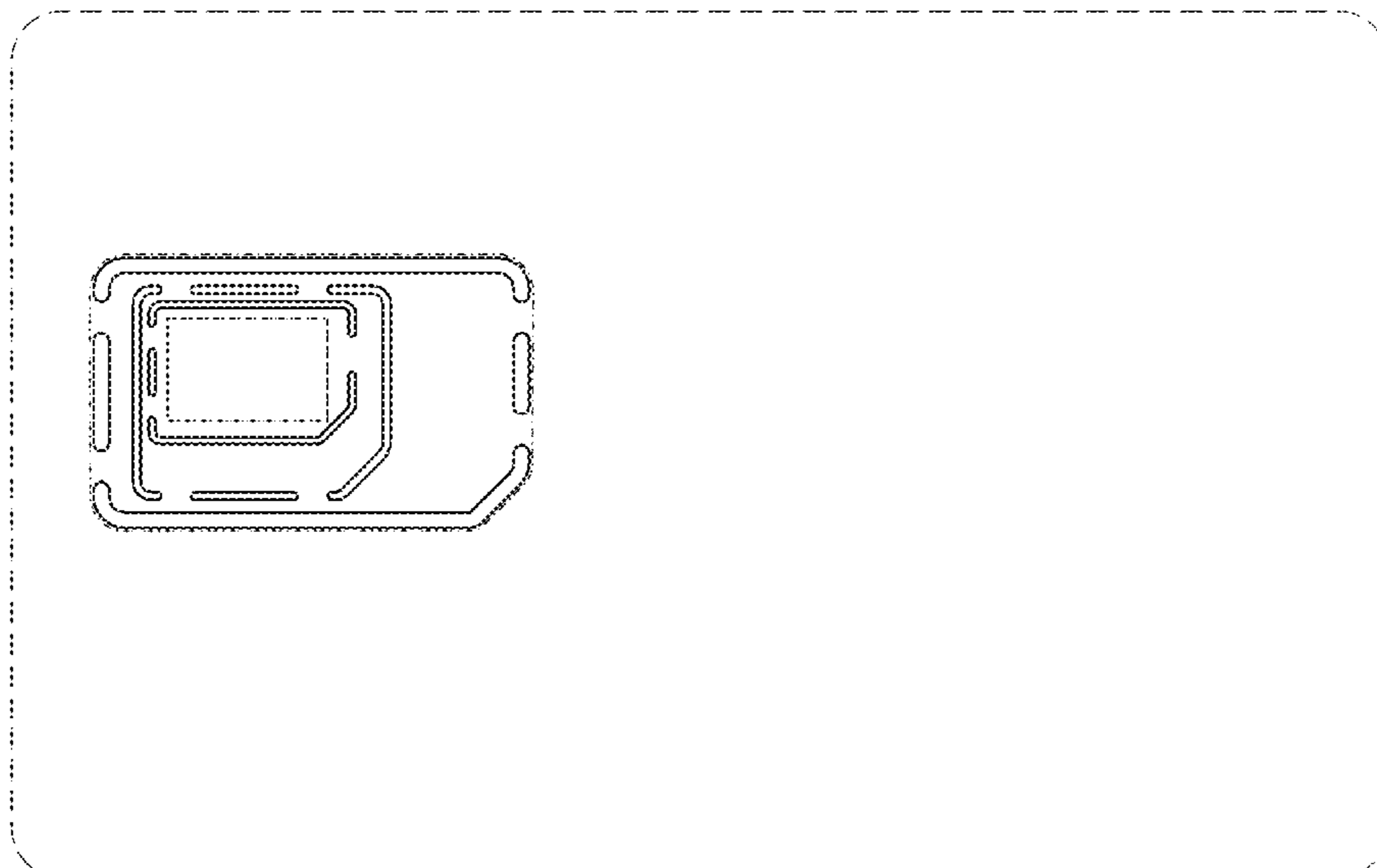
(57) **CLAIM**

We claim the ornamental design for a device smart card, as shown and described.

DESCRIPTION

FIG. 1 is a front view of a device smart card. The device smart card of the present claimed design is of negligible thickness. The space contained within the enclosed solid lines of the smart card of FIG. 1 represent perforations. The dot-dash boundary line encircling the inner sector of the card represents the boundary between the extent of the unclaimed surface area and the claimed surface area. Broken lines and space contained within the broken lines are not claimed.

1 Claim, 1 Drawing Sheet



(56)

References Cited

U.S. PATENT DOCUMENTS

D393,458 S * 4/1998 Merlin et al. D14/437
 5,757,116 A 5/1998 Nishikawa et al.
 5,780,837 A 7/1998 Garcia
 5,850,690 A * 12/1998 Launay et al. 29/841
 5,852,289 A 12/1998 Masahiko
 D405,779 S * 2/1999 Huber et al. D14/437
 D406,822 S * 3/1999 Huber et al. D13/182
 D412,164 S * 7/1999 Laviron et al. D14/437
 5,936,227 A 8/1999 Truggelmann et al.
 D416,246 S * 11/1999 Hileman D14/437
 5,975,420 A 11/1999 Gogami et al.
 5,975,584 A 11/1999 Vogt
 D424,043 S * 5/2000 Shiroki D14/436
 D424,539 S * 5/2000 Shiroki D14/436
 6,065,681 A 5/2000 Truggelmann
 6,076,737 A * 6/2000 Gogami et al. 235/492
 D427,577 S * 7/2000 Haas et al. D14/437
 6,112,997 A 9/2000 Jelinek et al.
 6,151,511 A 11/2000 Cruciani
 6,179,210 B1 1/2001 Haas et al.
 6,193,163 B1 2/2001 Fehrman et al.
 6,320,751 B2 11/2001 Takeda et al.
 6,353,420 B1 3/2002 Chung
 6,370,029 B1 4/2002 Kawan
 6,386,459 B1 * 5/2002 Patrice et al. 235/492
 6,398,114 B1 6/2002 Nishikawa et al.
 6,448,638 B1 9/2002 Fidalgo et al.
 6,454,164 B1 9/2002 Wakabayashi et al.
 6,471,129 B2 10/2002 Lake
 6,561,432 B1 5/2003 Vedder et al.
 6,568,600 B1 5/2003 Carpier et al.
 6,634,565 B2 10/2003 Gray
 6,653,565 B2 11/2003 Kashima
 6,666,379 B2 12/2003 Lake
 6,685,097 B1 2/2004 Housse
 6,719,206 B1 4/2004 Bashan et al.
 6,722,571 B1 4/2004 Lavrut et al.
 6,776,347 B2 8/2004 Nishikawa et al.
 6,786,419 B2 9/2004 Kayanakis
 6,817,534 B2 11/2004 Gray
 6,964,377 B1 11/2005 Haghiri et al.
 D512,970 S 12/2005 Hart
 6,978,940 B2 12/2005 Luu
 6,991,172 B2 1/2006 Luu
 7,086,601 B2 8/2006 Dhers et al.
 D532,757 S 11/2006 Lai
 D533,847 S 12/2006 Lai
 D534,134 S 12/2006 Lai
 7,183,636 B1 2/2007 Boccia et al.
 7,264,172 B2 9/2007 Amiot et al.
 D562,817 S * 2/2008 Fiorentino D14/436
 7,341,198 B2 3/2008 Nishizawa et al.
 D567,244 S * 4/2008 Frallicciardi et al. D14/437
 D584,249 S 1/2009 Tani et al.
 D589,010 S 3/2009 Di Stefano
 D589,011 S 3/2009 Di Stefano
 D590,400 S * 4/2009 Hoogerdijk D14/436
 7,559,469 B2 7/2009 Noda et al.
 7,559,478 B2 7/2009 Amiot et al.
 D601,520 S 10/2009 Yokota et al.
 7,605,453 B2 10/2009 Stampka et al.
 7,630,203 B1 12/2009 Chen et al.
 7,630,209 B2 12/2009 Kim et al.
 7,686,228 B2 3/2010 Oddou et al.
 7,719,846 B2 5/2010 Frallicciardi et al.
 7,726,578 B2 6/2010 Froger et al.
 7,764,977 B2 7/2010 Kempinen
 7,770,800 B2 8/2010 Martinez et al.
 7,837,122 B2 11/2010 Martinent et al.
 7,855,895 B2 12/2010 Kim et al.
 7,871,007 B2 1/2011 Amiot et al.
 D632,696 S * 2/2011 Koh et al. D14/436
 7,997,498 B2 8/2011 Phillips
 8,107,246 B2 1/2012 Fidalgo et al.
 8,123,135 B2 2/2012 Phillips

8,282,010 B2 10/2012 Heusmann
 8,296,233 B2 10/2012 Robbins et al.
 8,297,518 B2 * 10/2012 Yamazaki et al. 235/492
 8,336,784 B2 12/2012 Phillips
 2001/0002874 A1 * 6/2001 Sakamoto et al. 361/737
 2001/0011962 A1 8/2001 Fletout et al.
 2002/0050527 A1 5/2002 Nishikawa et al.
 2002/0160630 A1 10/2002 Kashima
 2002/0169943 A1 * 11/2002 Rabeler 712/43
 2003/0085288 A1 5/2003 Luu
 2003/0184978 A1 10/2003 LoBianco et al.
 2003/0213849 A1 11/2003 Luu
 2004/0124248 A1 7/2004 Selker
 2004/0223305 A1 11/2004 Amiot et al.
 2004/0232246 A1 11/2004 Dhers et al.
 2005/0218235 A1 10/2005 Chang et al.
 2005/0230485 A1 10/2005 Ross et al.
 2005/0252978 A1 11/2005 Nishizawa et al.
 2006/0054709 A1 3/2006 Lee
 2006/0118639 A1 6/2006 Kean et al.
 2007/0063055 A1 3/2007 Graf et al.
 2007/0075132 A1 4/2007 Kean
 2007/0108294 A1 5/2007 Rossiter
 2007/0108298 A1 5/2007 Kalck et al.
 2007/0125866 A1 6/2007 Nishizawa et al.
 2007/0152072 A1 7/2007 Frallicciardi et al.
 2007/0153487 A1 7/2007 Frallicciardi et al.
 2007/0176007 A1 8/2007 Priya et al.
 2007/0252259 A1 11/2007 Geva et al.
 2008/0011859 A1 1/2008 Phillips
 2008/0035740 A1 2/2008 Tanner
 2008/0048042 A1 2/2008 Degauque et al.
 2008/0054078 A1 3/2008 Tanner
 2008/0061148 A1 3/2008 Tanner
 2008/0061149 A1 3/2008 Tanner
 2008/0061150 A1 3/2008 Phillips
 2008/0061151 A1 3/2008 Phillips
 2008/0083831 A1 4/2008 Perez Lafuente et al.
 2008/0128514 A1 6/2008 Sabbah et al.
 2008/0135626 A1 6/2008 Reignoux et al.
 2008/0149730 A1 6/2008 Hubmer et al.
 2008/0149737 A1 6/2008 Ohshima
 2008/0245879 A1 10/2008 Artigue et al.
 2008/0251587 A1 10/2008 Martinent et al.
 2008/0257967 A1 10/2008 Nishizawa et al.
 2009/0040695 A1 2/2009 Fidalgo et al.
 2009/0065587 A1 3/2009 Phillips
 2009/0100511 A1 4/2009 Phillips
 2009/0159694 A1 6/2009 Rikkola et al.
 2010/0078486 A1 4/2010 Kai et al.
 2010/0107845 A1 5/2010 Baron
 2010/0230498 A1 9/2010 Atherton
 2010/0258639 A1 10/2010 Florek et al.
 2010/0282855 A1 11/2010 Rancien et al.
 2011/0068176 A1 3/2011 Bashan et al.
 2011/0068178 A1 3/2011 Gebhart
 2011/0253794 A1 10/2011 Koskelainen
 2012/0018522 A1 1/2012 Le Garrec et al.
 2012/0048948 A1 3/2012 Bertin et al.
 2012/0056001 A1 3/2012 Dokai et al.
 2012/0104104 A1 5/2012 Hofmann
 2012/0225691 A1 9/2012 Desjeux et al.
 2013/0068844 A1 3/2013 Bosquet et al.
 2013/0116010 A1 * 5/2013 Lepp et al. 455/558

OTHER PUBLICATIONS

ETSI, "ETSI TS 102 221," V9.2.0, Technical Specification, Oct. 2010, 179 pages.
 ETSI, ETSI TS 102 412, V11.0.0, Technical Specification, May 2011, 90 pages.
 ETSI, ETSI TS 102 600, V10.0.0, Technical Specification, Oct. 2010, 26 pages.
 ETSI, ETSI TS 102 613, V9.2.0, Mar. 2011, 57 pages.
 ETSI, ETSI TS 102 671, V9.1.0, Sep. 2011, 21 pages.
 TE Connectivity, "Recommendations 4FF SIM for ETSI," Mar. 30, 2011, 9 pages.
 "3GPP TSG-CT6#55," Distributing mini-UICC as punch out from Plug-in or double punch-out from ID-1, Kyoto, Japan, May 11-14, 2010, 2 pages.

“ETSI TC SCP Meeting #51,” San Diego, CA, Jul. 21-22, 2011, 5 pages.

“ETSI SCP TEC Meeting #40,” Sophia Antipolis, France, Aug. 29-Sep. 1, 2011, 5 pages.

“ETSI TC SCP TEC #40,” Sophia-Antipolis, France, Aug. 26-Sep. 1, 2011, 1 page.

“iPhone Teardown,” © 2011 iFixit, 4 pages.

International Organization for Standardization, “Identification Cards-Physical Characteristics,” ISO/IEC 7810, Nov. 1, 2003, 26 pages.

International Organization for Standardization, “Identification Cards-Integrated Circuit Cards,” ISO/IEC 7816-1, Feb. 15, 2011, 8 pages.

International Organization for Standardization, “Identification Cards-Integrated Circuit Cards,” ISO/IEC 7816-2, Oct. 15, 2007, 14 pages.

International Organization for Standardization, “Identification Cards-Integrated Circuit Cards,” ISO/IEC 7816-3, Nov. 1, 2006, 58 pages.

SMK, “Push-Push Style Micro SIM Memory Card Connector,” retrieved from www.smkusa.com/usa/featured_products/mem/, Dec. 12, 2011, 4 pages.

United States Patent and Trademark Office, “Non-Final Office Action,” issued in connection with U.S. Appl. No. 29/405,848, issued Oct. 2, 2012, 4 pages.

United States Patent and Trademark Office, “Non-Final Office Action,” issued in connection with U.S. Appl. No. 29/432,138, mailed Jan. 11, 2013, 9 pages.

United States Patent and Trademark Office, “Non-Final Office Action,” issued in connection with U.S. Appl. No. 29/432,136, mailed Jan. 7, 2013, 9 pages.

State Intellectual Property Office of P.R. China, “Office Action,” with unverified redacted English translation, issued in connection with Chinese application serial No. 201230153596, issued Sep. 18, 2012, 2 pages.

Canadian Intellectual Property Office, “Office Action,” issued in connection with Canadian application serial No. 145596, issued Oct. 26, 2012, 2 pages.

Canadian Intellectual Property Office, “Exam Report,” issued in Canadian Application No. 145573, on Apr. 17, 2013 (2 pages).

United States Patent and Trademark Office, “Notice of Allowance,” issued in connection with U.S. Appl. No. 29/432,136, on May 29, 2013 (21 pages).

* cited by examiner

