



US00D691606S

(12) **United States Design Patent**
Andre et al.

(10) **Patent No.:** **US D691,606 S**
(45) **Date of Patent:** **** Oct. 15, 2013**

(54) **MONITOR**

- (71) Applicant: **Apple Inc.**, Cupertino, CA (US)
- (72) Inventors: **Bartley K. Andre**, Menlo Park, CA (US); **Daniel J. Coster**, San Francisco, CA (US); **Daniele De Iuliis**, San Francisco, CA (US); **M. Evans Hankey**, San Francisco, CA (US); **Richard P. Howarth**, San Francisco, CA (US); **Jonathan P. Ive**, San Francisco, CA (US); **Duncan Robert Kerr**, San Francisco, CA (US); **Shin Nishibori**, Kailua, HI (US); **Matthew Dean Rohrbach**, San Francisco, CA (US); **Peter Russell-Clarke**, San Francisco, CA (US); **Douglas B. Satzger**, Menlo Park, CA (US); **Christopher J. Stringer**, Woodside, CA (US); **Eugene Antony Whang**, San Francisco, CA (US); **Rico Zorkendorfer**, San Francisco, CA (US)
- (73) Assignee: **Apple Inc.**, Cupertino, CA (US)
- (**) Term: **14 Years**
- (21) Appl. No.: **29/441,989**
- (22) Filed: **Jan. 11, 2013**

Related U.S. Application Data

- (63) Continuation of application No. 29/419,446, filed on Apr. 27, 2012, which is a continuation of application No. 29/408,029, filed on Dec. 6, 2011, now Pat. No. Des. 661,305, which is a continuation of application No. 29/390,419, filed on Apr. 25, 2011, now Pat. No. Des. 651,602, which is a continuation of application No. 29/380,605, filed on Dec. 8, 2010, now Pat. No. Des. 638,013, which is a continuation of application No. 29/355,762, filed on Feb. 12, 2010, now Pat. No. Des. 630,210, which is a continuation of application No. 29/326,226, filed on Oct. 14, 2008, now abandoned, which is a continuation of application No. 29/326,078, filed on Oct. 10, 2008, now Pat. No. Des. 600,696.

(51) **LOC (9) Cl.** **14-02**

(52) **U.S. Cl.**
USPC **D14/374**

(58) **Field of Classification Search**
USPC D14/371-376, 125-129, 336, 337; 248/917-924, 371, 121, 176.1, 278.1; 341/12; 345/104, 156, 173, 174, 345/901-905; 348/180, 184, 352, 739; 349/1, 2, 11, 62; 361/679.06-679.08, 361/679.21, 679.22

See application file for complete search history.

(56) **References Cited**

U.S. PATENT DOCUMENTS

D294,262 S 2/1988 Thies et al.
D414,471 S 9/1999 Poole et al.

(Continued)

OTHER PUBLICATIONS

Appendix in U.S. Appl. No. 29/201,636 entitled "Electronic Device" filed Mar. 17, 2004, now USPN D504,889.

(Continued)

Primary Examiner — Freda S Nunn

(74) *Attorney, Agent, or Firm* — Saidman DesignLaw Group

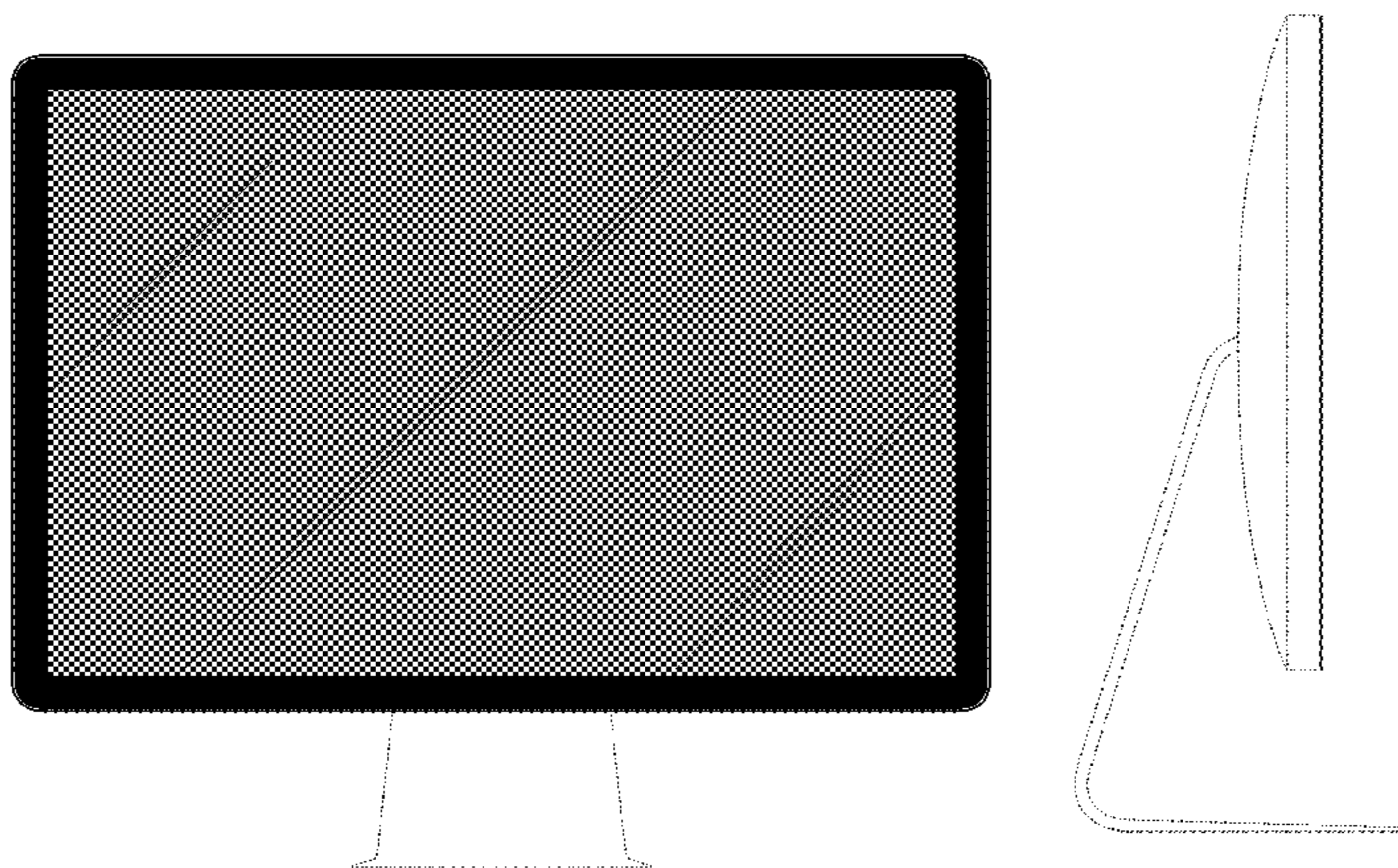
(57) **CLAIM**

The ornamental design for a monitor, as shown and described.

DESCRIPTION

FIG. 1 is a front view of a monitor showing our new design; FIG. 2 is a rear view thereof; FIG. 3 is a left side view thereof; FIG. 4 is a right side view thereof; FIG. 5 is a top view thereof; and, FIG. 6 is a bottom view thereof. The broken lines are for the purpose of illustrating portions of the monitor and form no part of the claimed design. The black shading on the front of the monitor represents the color black and the dark gray shading on the front of the monitor represents the color gray. The closely spaced parallel diagonal shade lines indicate translucency.

1 Claim, 4 Drawing Sheets



(56)

References Cited

U.S. PATENT DOCUMENTS

D416,877 S 11/1999 Liu et al.
 D424,033 S 5/2000 Hsu
 D424,034 S 5/2000 Li
 D428,415 S 7/2000 Shibata
 D432,101 S 10/2000 Oba
 D434,763 S 12/2000 Jobs et al.
 D448,031 S 9/2001 Goetz
 D456,023 S 4/2002 Andre et al.
 D457,864 S 5/2002 Bong et al.
 D464,049 S 10/2002 Goto
 D476,335 S 6/2003 Miao et al.
 D483,020 S 12/2003 Nagao et al.
 D489,042 S 4/2004 Joe et al.
 D492,291 S 6/2004 Takahashi et al.
 D492,684 S 7/2004 Ozolins et al.
 D497,364 S 10/2004 Ozolins et al.
 D499,097 S 11/2004 Tsuji et al.
 D500,037 S 12/2004 Ozolins et al.
 6,837,469 B2 1/2005 Wu et al.
 D504,876 S 5/2005 Zheng
 D504,889 S 5/2005 Andre et al.
 D510,730 S 10/2005 Asanuma et al.
 D516,557 S 3/2006 Noda et al.
 7,014,154 B2 3/2006 Jeong et al.
 D520,006 S 5/2006 Chen et al.
 D525,035 S 7/2006 McCay
 D530,329 S 10/2006 Chen et al.
 D532,011 S 11/2006 Andre et al.
 D541,234 S 4/2007 Iijima et al.
 D541,278 S 4/2007 Hsu et al.

D541,799 S 5/2007 Andre et al.
 D543,517 S 5/2007 Chikuma et al.
 D545,820 S 7/2007 Won et al.
 D549,673 S 8/2007 Niitsu
 D556,755 S 12/2007 Lee et al.
 D562,274 S 2/2008 Wang
 D565,518 S 4/2008 Tu
 D566,066 S 4/2008 Wang
 D567,196 S 4/2008 Shih
 D570,841 S 6/2008 Kim et al.
 D621,841 S 8/2010 Andre et al.
 D630,210 S 1/2011 Andre et al.
 D638,013 S 5/2011 Andre et al.
 D651,602 S 1/2012 Andre et al.
 D656,501 S 3/2012 Andre et al.
 D658,190 S 4/2012 Akana et al.
 D661,305 S 6/2012 Andre et al.
 D661,311 S 6/2012 Akana et al.
 D677,257 S * 3/2013 Andre et al. D14/374
 2003/0058372 A1 3/2003 Williams et al.
 2006/0237599 A1 10/2006 Ternus et al.

OTHER PUBLICATIONS

U.S. Appl. No. 29/365,139 entitled "Computer" filed Jul. 2, 2010.
 U.S. Appl. No. 29/366,477 entitled "Electronic Device" filed Jul. 26, 2010.
 Office action dated Jul. 13, 2011 in U.S. Appl. No. 29/390,850.
 Office action dated Aug. 12, 2011 in U.S. Appl. No. 29/391,177.
 U.S. Appl. No. 29/413,827 entitled "Computer" filed Feb. 21, 2012.
 U.S. Appl. No. 29/415,799 entitled "Electronic Device" filed Mar. 14, 2012.

* cited by examiner

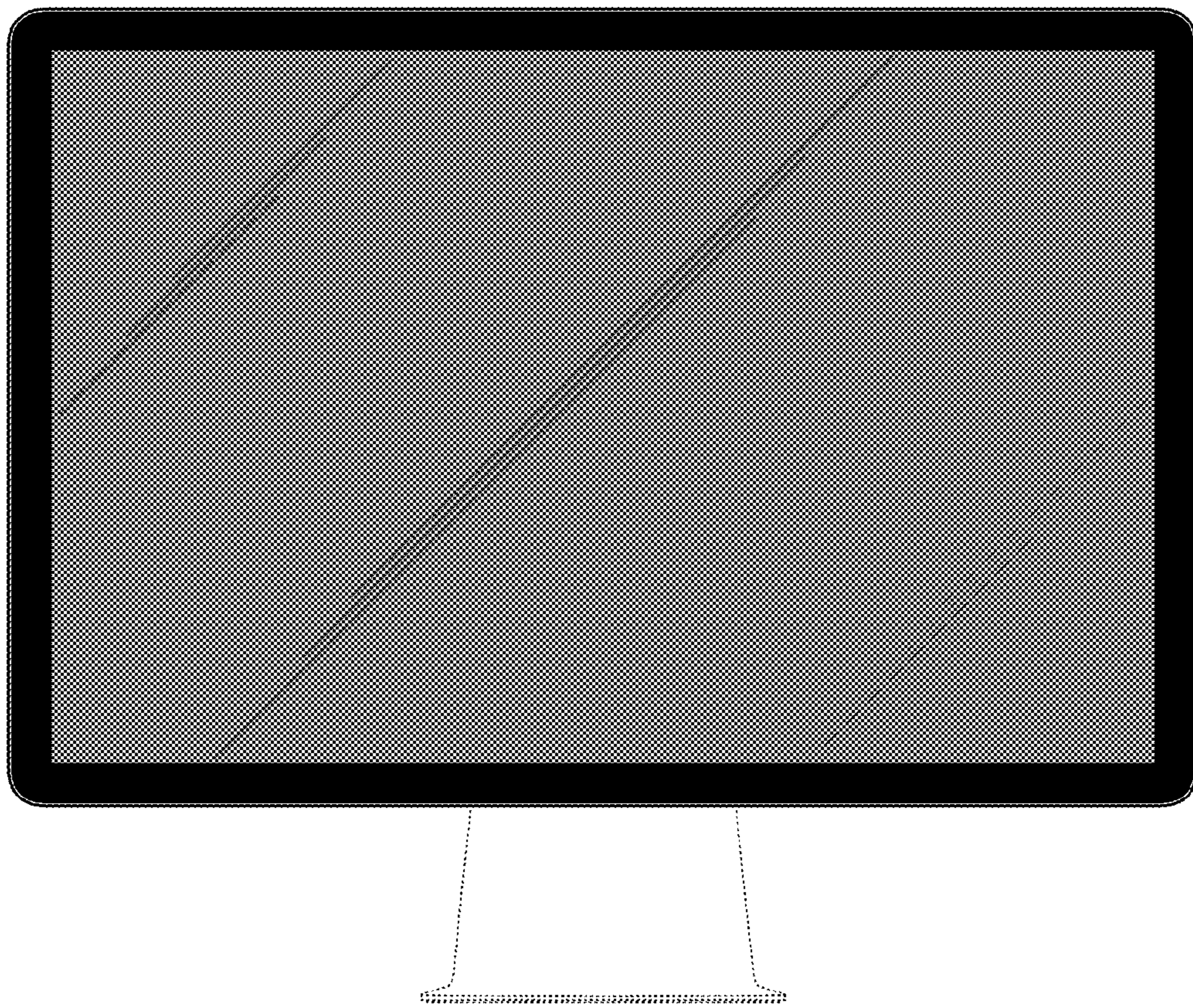


Fig. 1

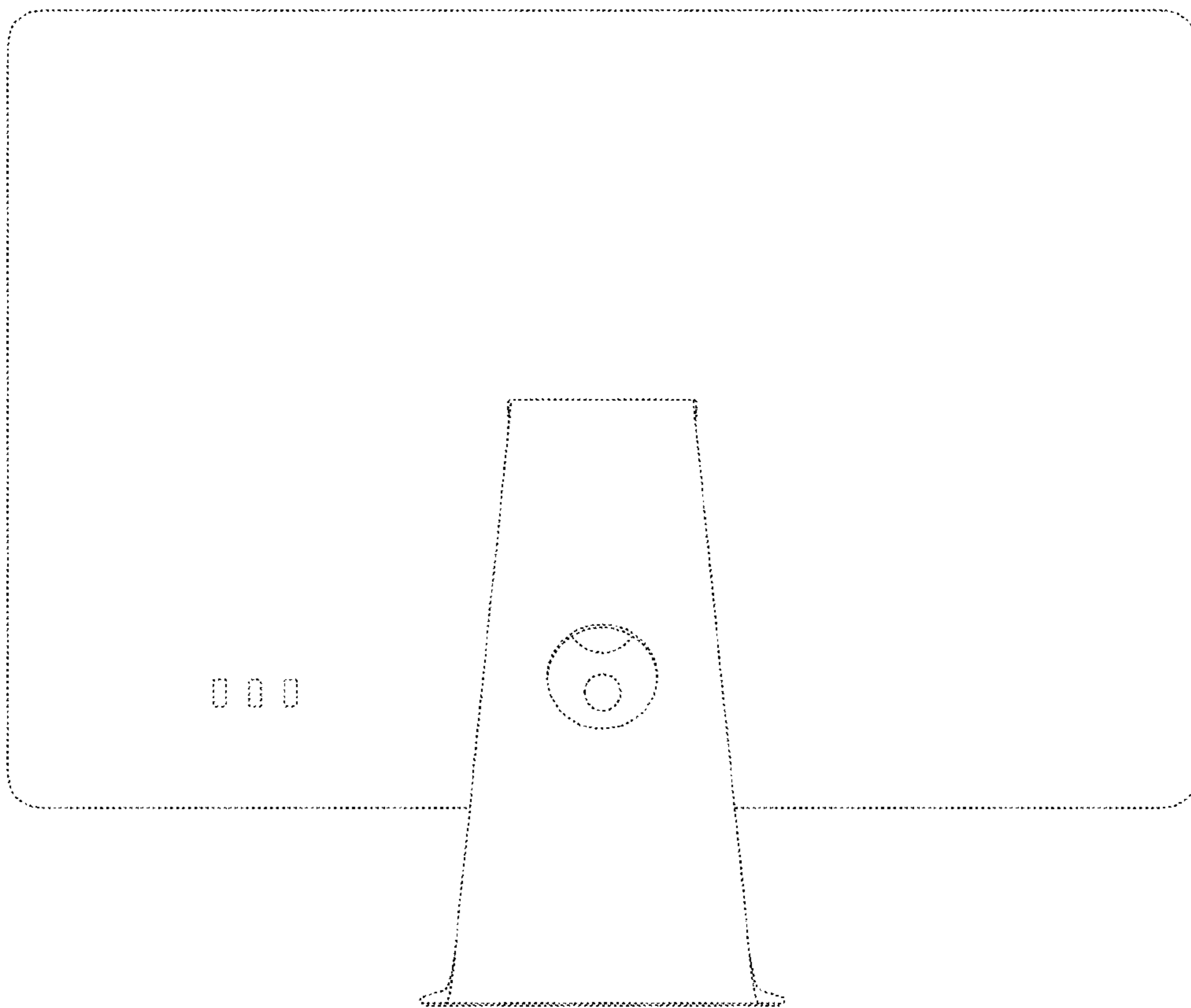


Fig. 2

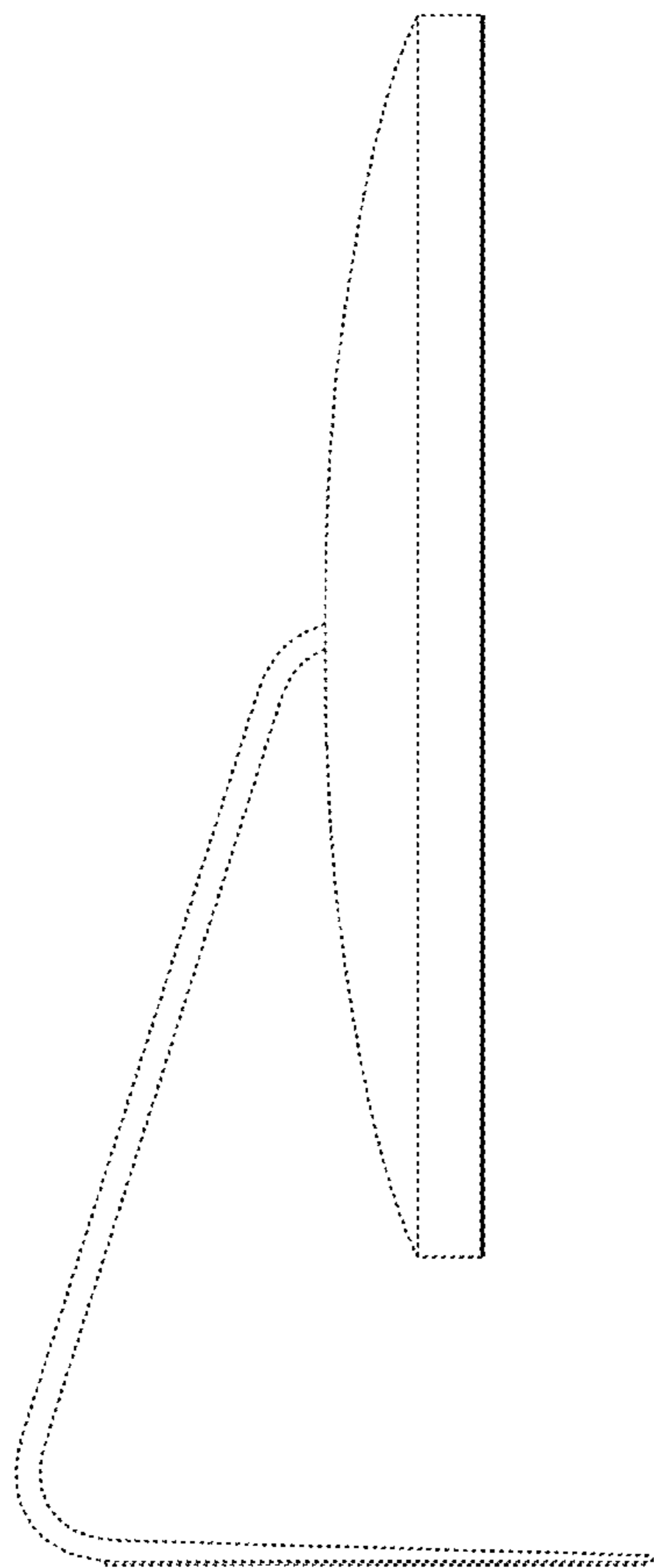


Fig. 3

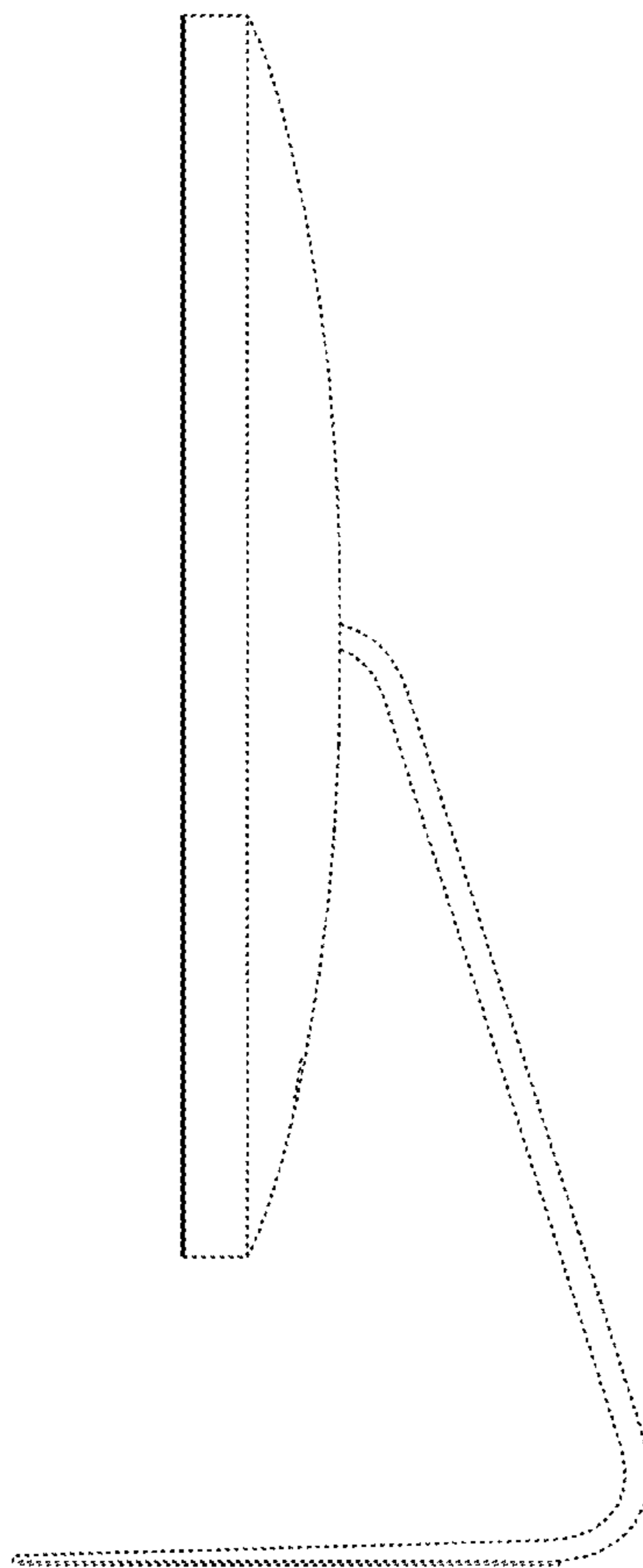


Fig. 4

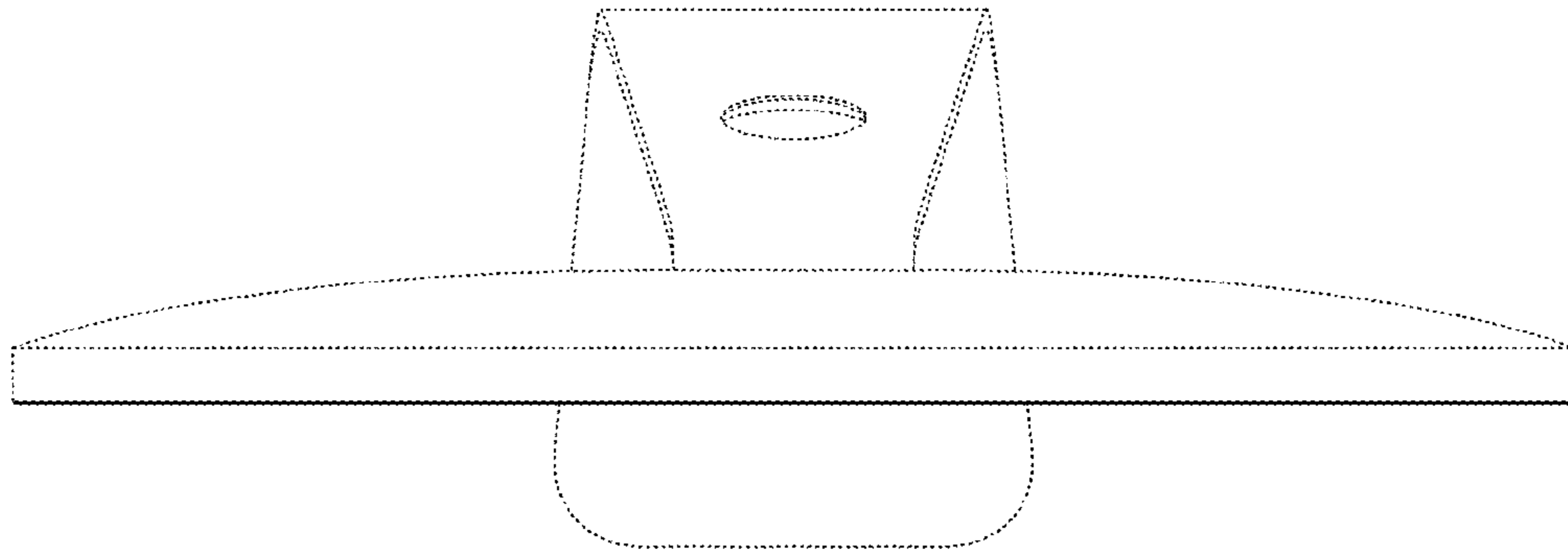


Fig. 5

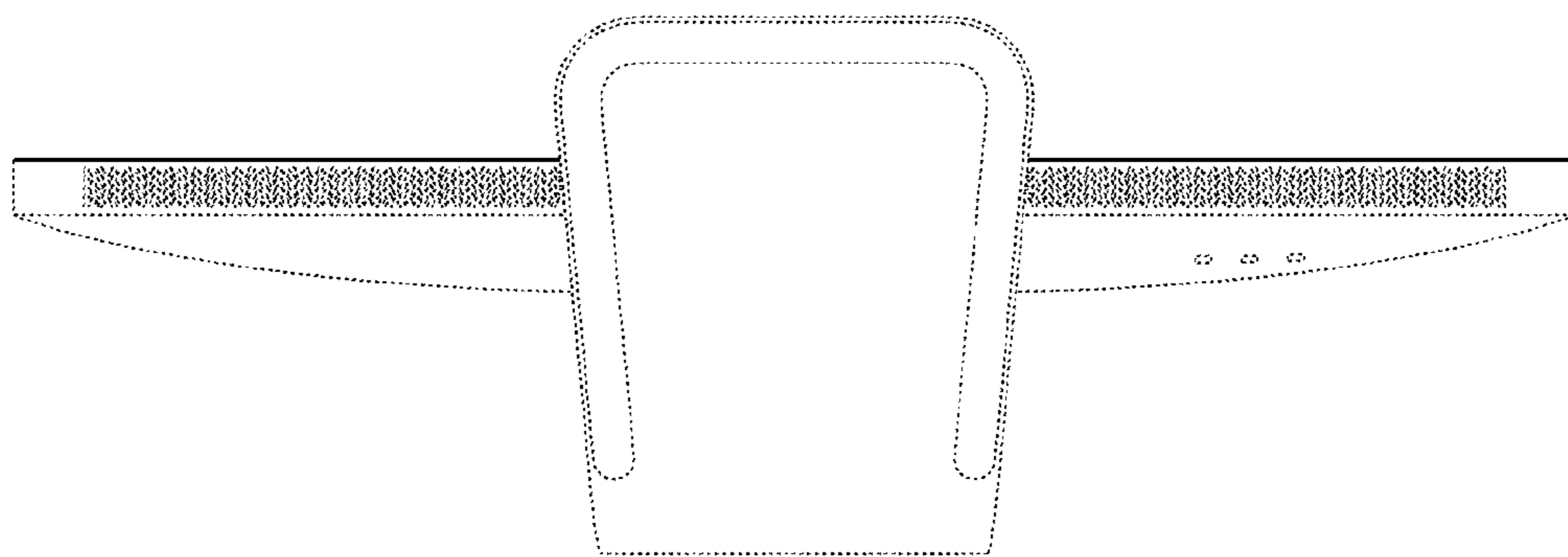


Fig. 6