



US00D691605S

(12) **United States Design Patent**
Won et al.

(10) **Patent No.:** **US D691,605 S**
(45) **Date of Patent:** **** Oct. 15, 2013**

(54) **MONITOR**

(75) Inventors: **Tae-Yeon Won**, Seoul (KR); **Young-Jin Seo**, Seoul (KR)

(73) Assignee: **Samsung Electronics Co., Ltd.**, Suwon-Si (KR)

(**) Term: **14 Years**

(21) Appl. No.: **29/428,580**

(22) Filed: **Aug. 1, 2012**

(30) **Foreign Application Priority Data**

Feb. 6, 2012 (KR) 30-2012-0005370

(51) **LOC (9) Cl.** **14-02**

(52) **U.S. Cl.**
USPC **D14/374**

(58) **Field of Classification Search**
USPC D14/371-375, 125-129, 336, 337;
341/12; 345/104, 156, 168, 173;
348/180, 184, 325, 739; 349/1, 2, 11,
349/62; 361/679.01, 679.05-679.07,
361/679.21; D6/300, 308

See application file for complete search history.

(56) **References Cited**

U.S. PATENT DOCUMENTS

D439,224 S	3/2001	Kita
D471,893 S	3/2003	Jung
D472,897 S	4/2003	Park
D494,941 S	8/2004	Kim
D499,386 S	12/2004	Yang
D512,424 S	12/2005	Kim
D520,975 S	5/2006	Kim et al.
D521,511 S	5/2006	Kim et al.
D521,996 S	5/2006	Kim et al.
D521,997 S	5/2006	Park et al.
D524,313 S	7/2006	Boo et al.

D527,003 S	8/2006	Kim et al.
D528,115 S	9/2006	Yoon
D528,116 S	9/2006	Won et al.
D529,019 S	9/2006	Lim
D529,910 S	10/2006	Ota
D529,911 S	10/2006	Yamashiro et al.
D532,764 S	11/2006	Kim et al.
D533,848 S	12/2006	Lee et al.
D534,510 S	1/2007	Kang et al.
D534,883 S	1/2007	Kang et al.

(Continued)

FOREIGN PATENT DOCUMENTS

KR	3001890590000	11/1996
KR	3001890600000	11/1996

(Continued)

OTHER PUBLICATIONS

U.S. Appl. No. 29/419,038, Applicant: Lee, et al., filed Apr. 24, 2012, entitled Monitor.

(Continued)

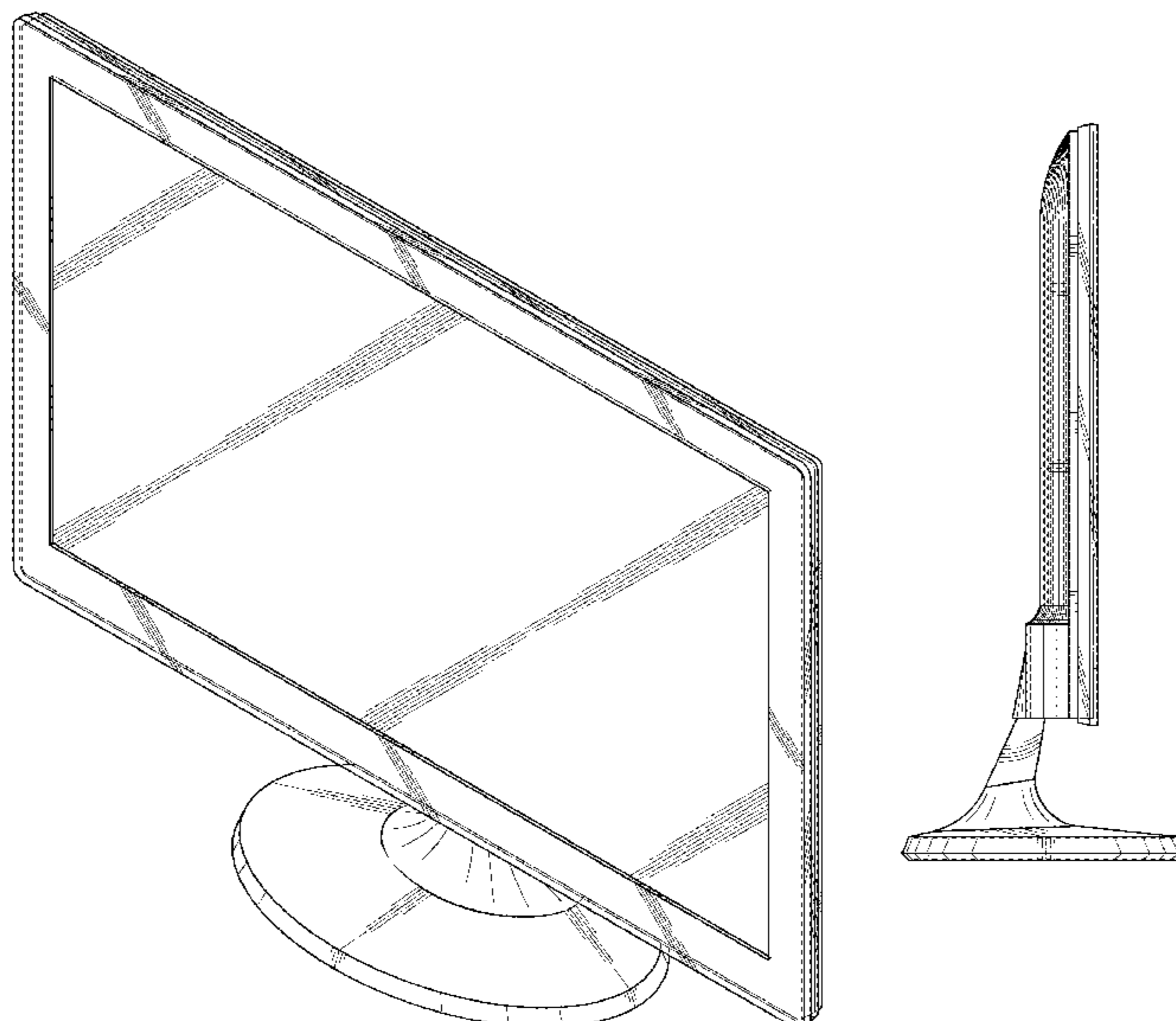
Primary Examiner — Freda S Nunn
(74) *Attorney, Agent, or Firm* — Wood, Herron & Evans, LLP

(57) **CLAIM**
The ornamental design for a monitor, as shown and described.

DESCRIPTION

FIG. 1 is a top front perspective view of a monitor showing our new design;
FIG. 2 is a front elevational view thereof;
FIG. 3 is a rear elevational view thereof;
FIG. 4 is a left side elevational view thereof;
FIG. 5 is a right side elevational view thereof;
FIG. 6 is a top plan view thereof; and,
FIG. 7 is a bottom plan view thereof.

1 Claim, 5 Drawing Sheets



(56)

References Cited

U.S. PATENT DOCUMENTS

D535,267 S	1/2007	Kang et al.	D571,785 S	6/2008	Kim
D536,677 S	2/2007	Kim et al.	D571,786 S	6/2008	Cho
D537,072 S	2/2007	Kim et al.	D572,680 S	7/2008	Lee et al.
D537,079 S	2/2007	Park	D572,682 S	7/2008	Won et al.
D539,242 S	3/2007	Lee et al.	D573,118 S	7/2008	Yang et al.
D539,281 S	3/2007	Kim et al.	D573,559 S	7/2008	Kim et al.
D539,767 S	4/2007	Kang et al.	D573,584 S	7/2008	Kim
D540,277 S	4/2007	Kim et al.	D575,247 S	8/2008	Lee
D540,780 S	4/2007	Kim	D576,622 S	9/2008	Park
D541,236 S	4/2007	Kim et al.	D579,003 S	10/2008	Kim et al.
D541,763 S	5/2007	Kim	D579,889 S	11/2008	Noh
D541,766 S	5/2007	Kita	D579,915 S	11/2008	Yeo
D541,774 S	5/2007	Kita	D582,365 S	12/2008	Yang et al.
D541,775 S	5/2007	Kita	D582,366 S	12/2008	Yang et al.
D542,746 S	5/2007	Kim	D582,867 S	12/2008	Song et al.
D542,747 S	5/2007	Kim et al.	D583,801 S	12/2008	Son et al.
D542,748 S	5/2007	Kim et al.	D584,258 S	1/2009	Yang et al.
D542,749 S	5/2007	Kim et al.	D584,286 S	1/2009	Kim
D543,163 S	5/2007	Yang et al.	D584,288 S	1/2009	Kim
D543,164 S	5/2007	Yang et al.	D584,309 S	1/2009	Kim et al.
D544,849 S	6/2007	Yang et al.	D584,310 S	1/2009	Kim et al.
D545,300 S	6/2007	Hong et al.	D584,729 S	1/2009	Kim et al.
D545,312 S	6/2007	Kim	D586,781 S	2/2009	Kim
D545,313 S	6/2007	Kim	D586,782 S	2/2009	Kim
D545,314 S	6/2007	Kim	D586,785 S	2/2009	Kim
D545,315 S	6/2007	Kim	D586,811 S	2/2009	Kim et al.
D545,316 S	6/2007	Kim	D587,237 S	2/2009	Son et al.
D545,776 S	7/2007	Kwon	D587,712 S	3/2009	Park et al.
D545,778 S	7/2007	Isshiki	D588,103 S	3/2009	Lee et al.
D545,820 S	7/2007	Won et al.	D588,104 S	3/2009	Lee et al.
D546,331 S	7/2007	Kim	D588,117 S	3/2009	Arai
D547,276 S	7/2007	Yang et al.	D588,576 S	3/2009	Son et al.
D547,313 S	7/2007	Kim	D591,269 S	4/2009	Kim et al.
D548,205 S	8/2007	Kim et al.	D592,179 S	5/2009	Ichinose et al.
D548,206 S	8/2007	Han	D592,621 S	5/2009	Han
D548,222 S	8/2007	Kim	D593,068 S	5/2009	Kim et al.
D548,708 S	8/2007	Park et al.	D593,069 S	5/2009	Son et al.
D551,186 S	9/2007	Yang et al.	D593,974 S	6/2009	Yang et al.
D551,194 S	9/2007	Kim et al.	D597,041 S	7/2009	Cho et al.
D551,636 S	9/2007	Kang et al.	D597,977 S	8/2009	Won et al.
D551,655 S	9/2007	Kim	D597,978 S	8/2009	Won et al.
D551,665 S	9/2007	Tom et al.	D598,899 S	8/2009	Tkachuk
D552,090 S	10/2007	Kita	D601,104 S	9/2009	Kim
D552,509 S	10/2007	Walkup et al.	D603,816 S	11/2009	Kim et al.
D553,108 S	10/2007	Won et al.	D603,817 S	11/2009	Kim et al.
D554,601 S	11/2007	Won et al.	D605,148 S	12/2009	Boo et al.
D556,159 S	11/2007	Park et al.	D605,149 S	12/2009	Kim et al.
D556,160 S	11/2007	Lee et al.	D605,160 S	12/2009	Eaton
D556,709 S	12/2007	Kim et al.	D607,426 S	1/2010	Yang
D556,755 S	12/2007	Lee et al.	D608,311 S	1/2010	Lee et al.
D556,756 S	12/2007	Kataoka et al.	D608,314 S	1/2010	Boo et al.
D556,757 S	12/2007	Kim et al.	D609,658 S	2/2010	Kim et al.
D558,201 S	12/2007	Park et al.	D610,143 S	2/2010	Park et al.
D558,696 S	1/2008	Park et al.	D614,596 S	4/2010	Won et al.
D560,209 S	1/2008	Kim et al.	D615,509 S	5/2010	Song et al.
D560,211 S	1/2008	Kim et al.	D615,510 S	5/2010	Won et al.
D560,686 S	1/2008	Kim	D615,511 S	5/2010	Shin et al.
D561,130 S	2/2008	Won et al.	D615,938 S	5/2010	Song et al.
D561,134 S	2/2008	Kim et al.	D615,963 S	5/2010	Cho et al.
D561,135 S	2/2008	Won et al.	D616,842 S	6/2010	Kim
D561,136 S	2/2008	Won et al.	D616,884 S	6/2010	Kim et al.
D561,141 S	2/2008	Cho et al.	D619,979 S	7/2010	Lee et al.
D561,142 S	2/2008	Oh	D620,461 S	7/2010	Han et al.
D561,161 S	2/2008	Cho	D620,901 S	8/2010	Won et al.
D562,788 S	2/2008	Asanuma et al.	D620,902 S	8/2010	Kim et al.
7,336,478 B2	2/2008	Jang	D620,903 S	8/2010	Song et al.
D564,472 S	3/2008	Won et al.	D622,235 S	8/2010	Lee et al.
D565,521 S	4/2008	Yang et al.	D624,047 S	9/2010	Kim
D567,198 S	4/2008	Yang et al.	D624,048 S	9/2010	Kim
D567,199 S	4/2008	Kim et al.	D625,278 S	10/2010	Kim et al.
D567,203 S	4/2008	Park	D626,101 S	10/2010	Kim et al.
D569,818 S	5/2008	Kim et al.	D628,556 S	12/2010	Lee et al.
D570,333 S	6/2008	Cho	D629,388 S	12/2010	Son et al.
D570,828 S	6/2008	Cho	D630,209 S	1/2011	Lee et al.
D570,841 S	6/2008	Kim et al.	D631,868 S	2/2011	Chung
			D632,291 S	2/2011	Park
			D634,302 S	3/2011	Chung et al.
			D634,323 S	3/2011	Park et al.
			D634,745 S	3/2011	Park et al.

(56)

References Cited

U.S. PATENT DOCUMENTS

D635,569	S	4/2011	Park	
D635,975	S	4/2011	Seo et al.	
D635,976	S	4/2011	Lee et al.	
D657,789	S	4/2012	Lee et al.	
D657,790	S	4/2012	Lee et al.	
D657,791	S	4/2012	Kim et al.	
D657,792	S	4/2012	Lee et al.	
D658,176	S	4/2012	Lee et al.	
D661,303	S	6/2012	Fukusawa	
D664,541	S	7/2012	Kim et al.	
D664,542	S	7/2012	Lee et al.	
D664,956	S	8/2012	Lee et al.	
D667,826	S	9/2012	Lee et al.	
2011/0096486	A1*	4/2011	Oh et al.	361/679.21
2012/0155004	A1*	6/2012	Yukawa et al.	361/679.21

FOREIGN PATENT DOCUMENTS

KR	3001954000000	3/1997
KR	3003049270000	8/2002
KR	3003832320000	6/2005
KR	3003879930000	8/2005
KR	3004144010000	5/2006
KR	3004230930000	8/2006
KR	3005011860000	8/2006
KR	3004261490000	9/2006
KR	3004261500000	9/2006
KR	3004230920001	10/2006
KR	3004293530000	11/2006
KR	3004293530001	11/2006
KR	3004339210000	12/2006
KR	3004388560001	2/2007
KR	3004388560002	3/2007
KR	3004745330000	1/2008
KR	3004772070000	1/2008
KR	3004808250000	3/2008
KR	3004809710000	3/2008
KR	3004745330001	4/2008
KR	3004873790000	4/2008
KR	3004873800000	4/2008
KR	3004873810000	4/2008

KR	3005845050000	1/2011
KR	3006046450000	7/2011
KR	3006046460000	7/2011
KR	3006076840000	8/2011
KR	3006077890000	8/2011
KR	3006077900000	8/2011
KR	3006080880000	8/2011
KR	3006084850000	8/2011

OTHER PUBLICATIONS

U.S. Appl. No. 29/423,296, Applicant: Lee, et al., filed May 30, 2012, entitled Monitor.

U.S. Appl. No. 29/425,733, Applicant: Gyoo-Sang Choi, filed Jun. 26, 2012, entitled Monitor.

U.S. Appl. No. 29/425,734, Applicant: Kim, et al., filed Jun. 26, 2012, entitled Monitor.

U.S. Appl. No. 29/427,157, Applicant: Lee, et al., filed Jul. 15, 2012, entitled Monitor.

U.S. Appl. No. 29/426,896, Applicant: Kim, et al., filed Jul. 11, 2012, entitled Monitor.

U.S. Appl. No. 29/434,700, Applicant: Kim et al., filed Oct. 16, 2012, entitled Monitor.

U.S. Appl. No. 29/419,916, Applicant: Lee, et al., filed May 2, 2012, entitled Monitor.

U.S. Appl. No. 29/422,777, Applicant: Lee, et al., filed May 23, 2012, entitled Monitor.

U.S. Appl. No. 29/428,391, Applicant: Kim et al., filed Jul. 30, 2012, entitled Monitor.

U.S. Appl. No. 29/428,394, Applicant: Seo et al., filed Jul. 30, 2012, entitled Monitor.

U.S. Appl. No. 29/431,761, Applicant: Seo et al., filed Sep. 11, 2012, entitled Monitor.

U.S. Appl. No. 29/426,696, Applicant: Seong, et al., filed Jul. 9, 2012, entitled Monitor.

U.S. Appl. No. 29/427,737, Applicant: Bo-Kyung Seong, filed Jul. 21, 2012, entitled Monitor.

U.S. Appl. No. 29/428,573, Applicant: Seo et al., filed Aug. 1, 2012, entitled Monitor.

U.S. Appl. No. 29/436,728, Applicant: Kim et al., filed Nov. 8, 2012, entitled Monitor.

* cited by examiner

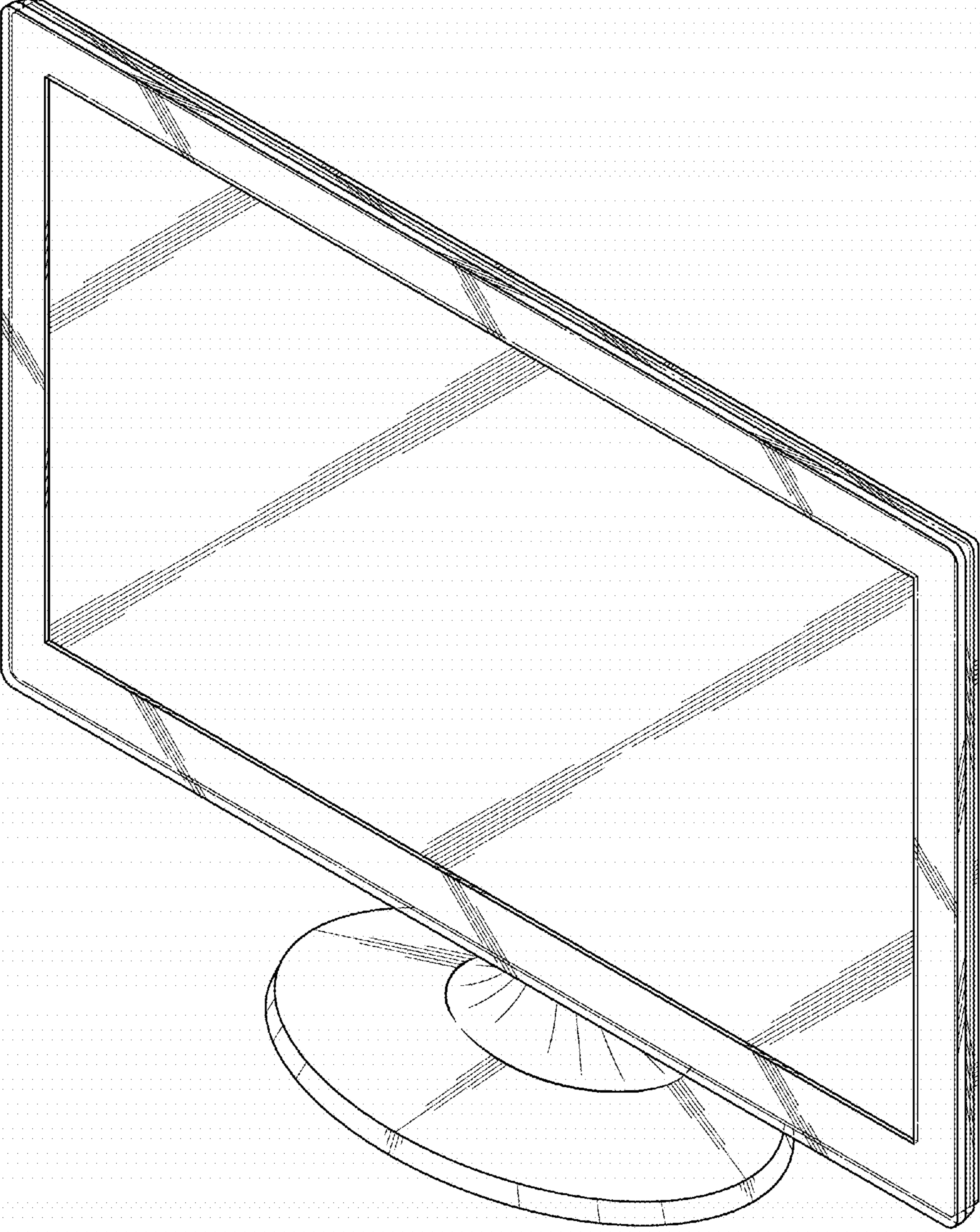


FIG. 1

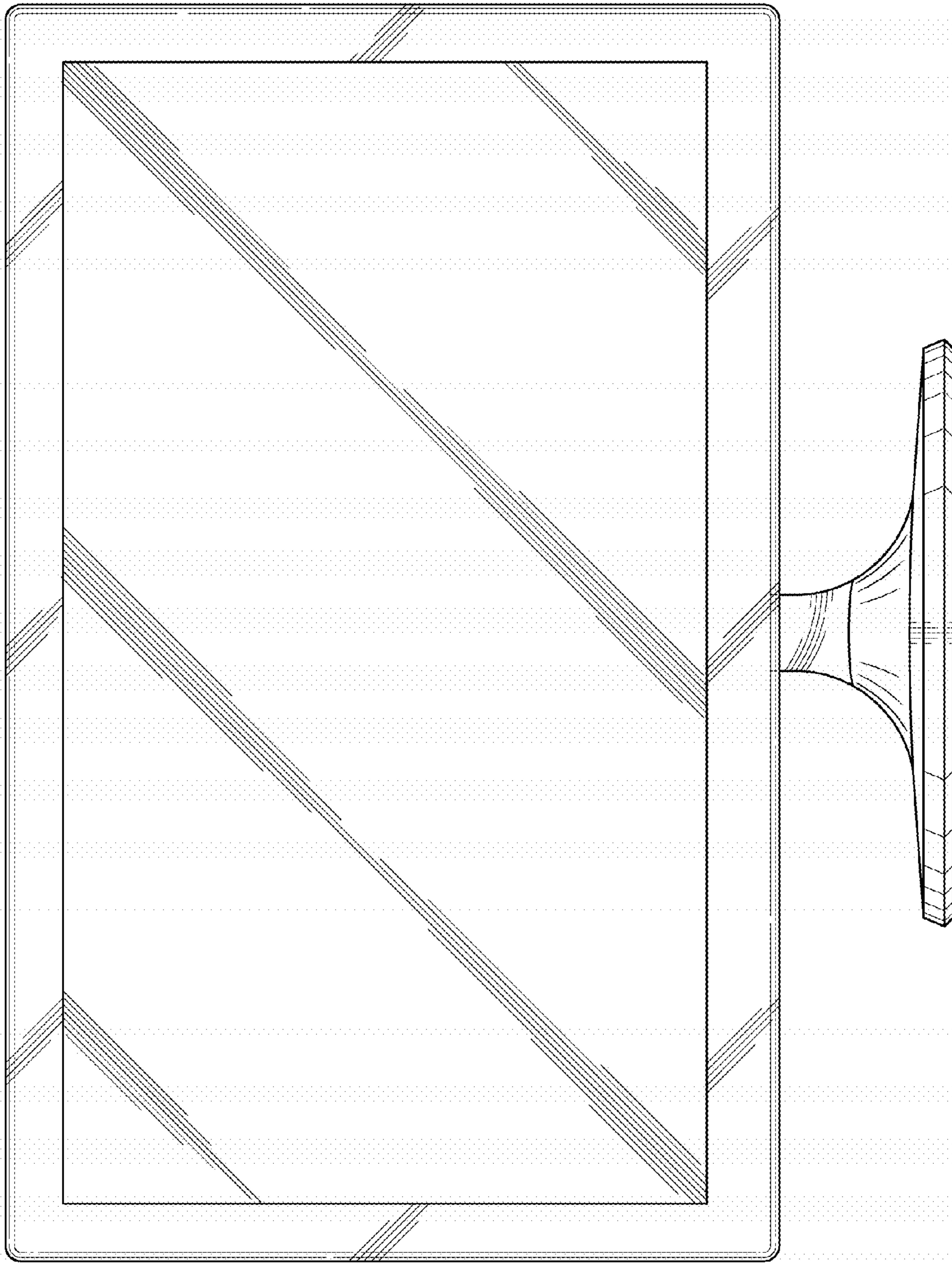


FIG. 2

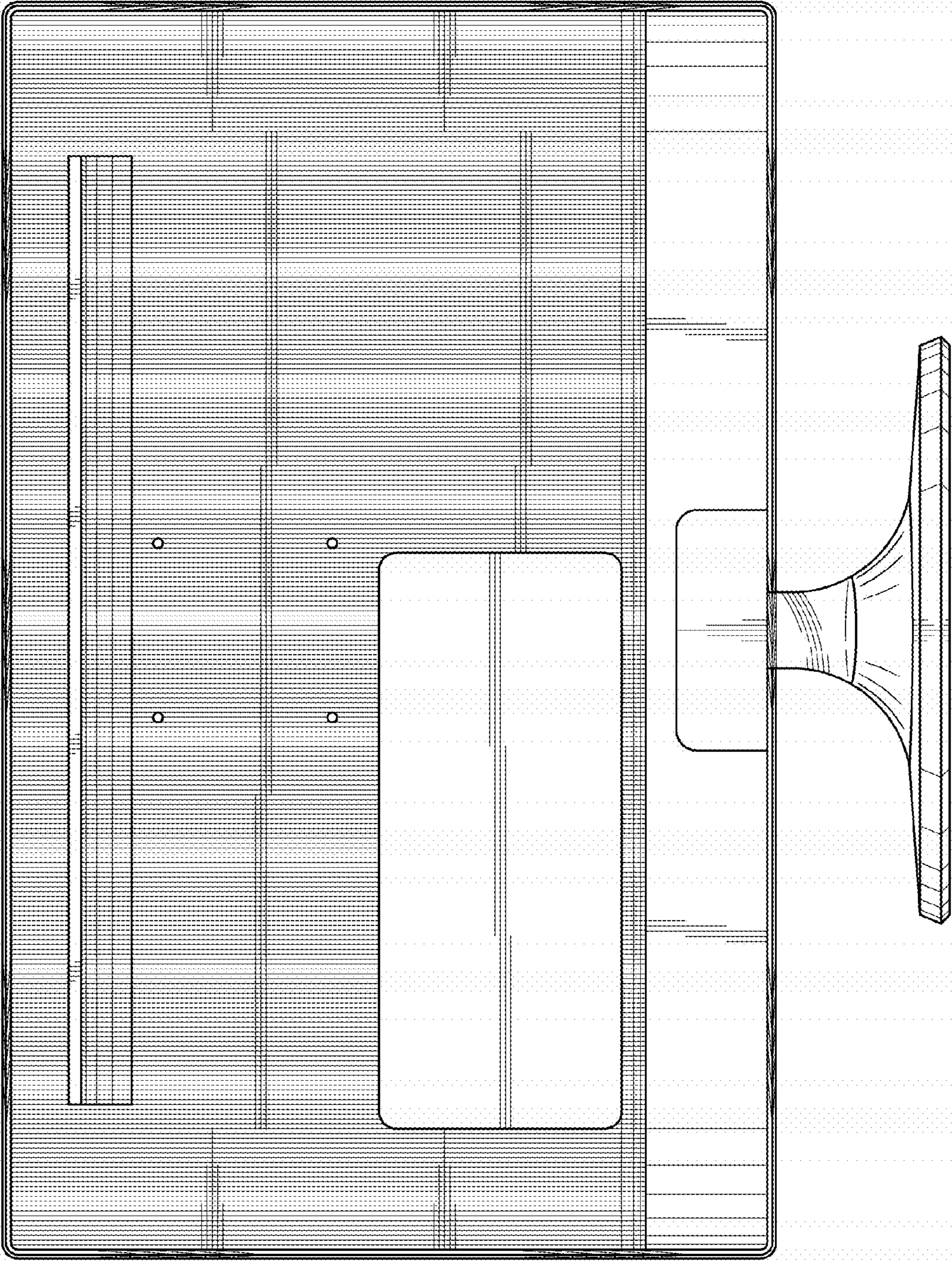


FIG.3

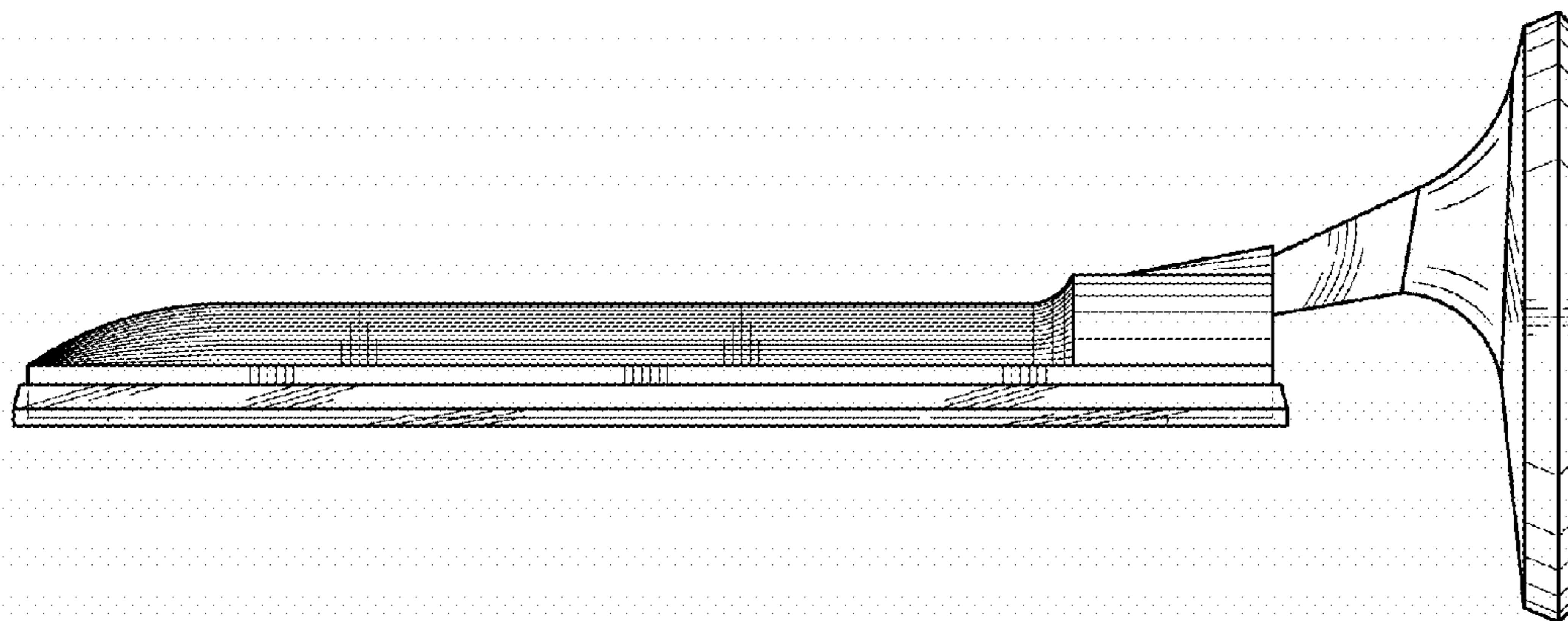


FIG. 5

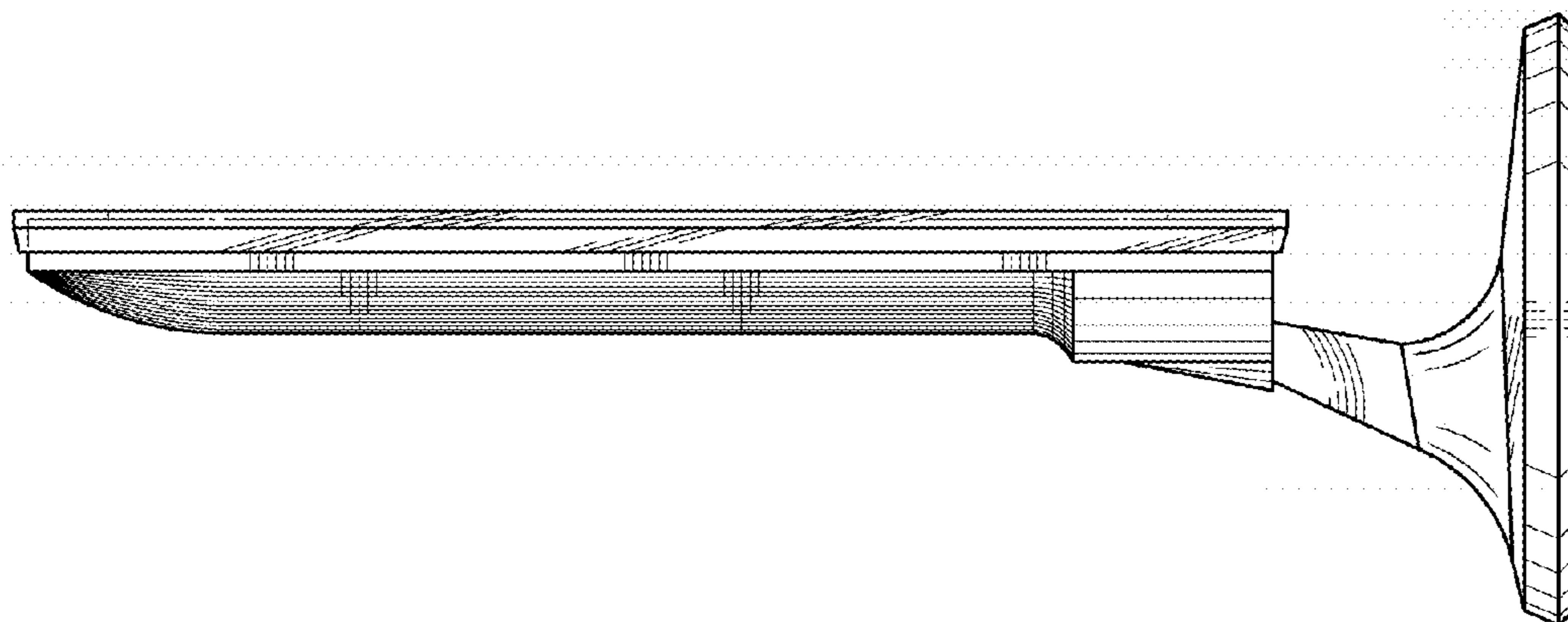


FIG. 4

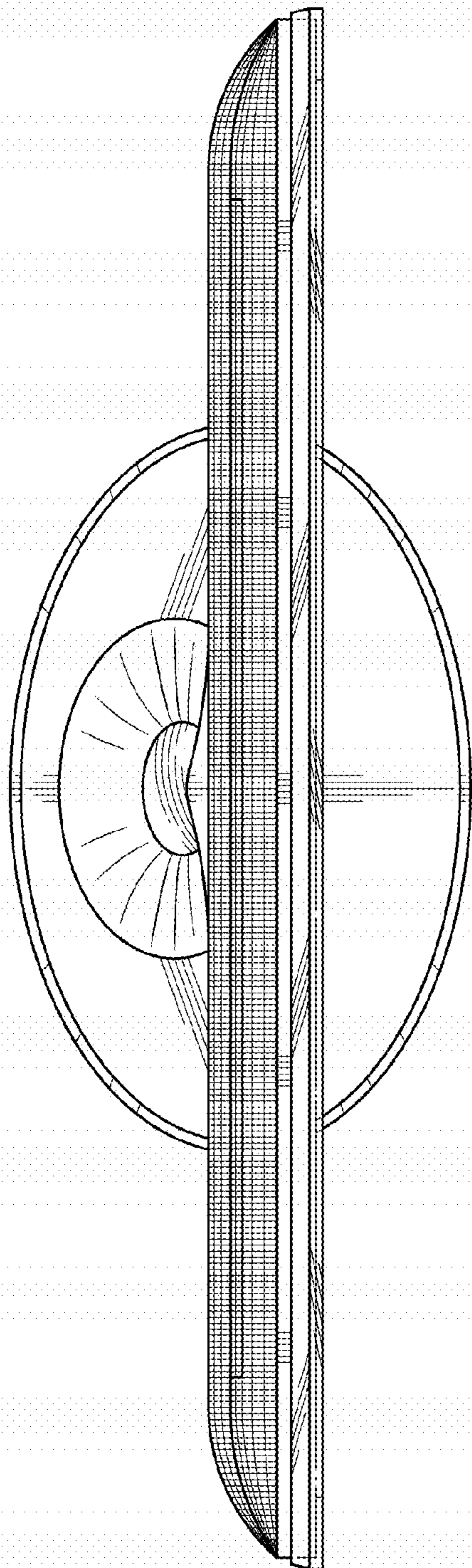


FIG. 6

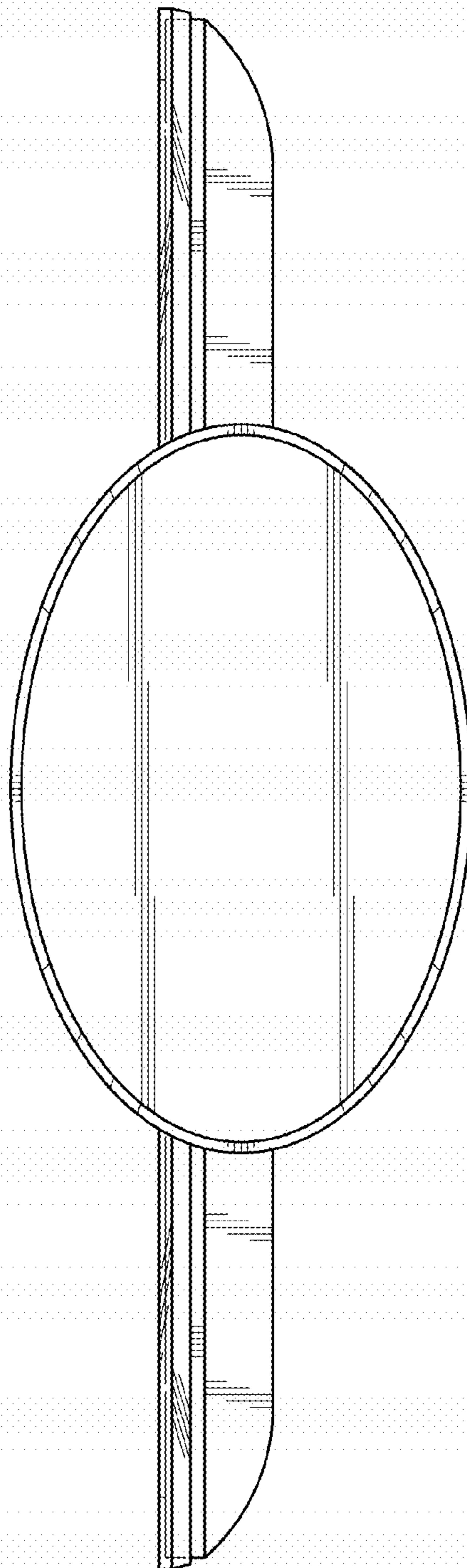


FIG. 7