



US00D691603S

(12) **United States Design Patent**  
**Leonard et al.**

(10) **Patent No.:** **US D691,603 S**  
(45) **Date of Patent:** **\*\* Oct. 15, 2013**

(54) **CONVERTIBLE INFORMATION HANDLING SYSTEM**

(71) Applicant: **Dell Products L.P.**, Round Rock, TX (US)

(72) Inventors: **Brian Hargrove Leonard**, Austin, TX (US); **Weijong Sheu**, Austin, TX (US)

(73) Assignee: **Dell Products L.P.**, Round Rock, TX (US)

(\*\*) Term: **14 Years**

(21) Appl. No.: **29/434,842**

(22) Filed: **Oct. 17, 2012**

(51) **LOC (9) Cl.** ..... **14-02**

(52) **U.S. Cl.**  
USPC ..... **D14/316**

(58) **Field of Classification Search**  
USPC ..... D14/315-327; D18/1, 2, 7, 11;  
235/145 A, 145 R; 341/22, 23; 345/104,  
345/156, 168, 169, 173; 361/679.06,  
361/679.08, 679.09, 679.11, 679.26, 679.27  
See application file for complete search history.

(56) **References Cited**

**U.S. PATENT DOCUMENTS**

5,103,376	A *	4/1992	Blonder	.....	361/679.09
5,224,060	A *	6/1993	Ma	.....	361/679.09
5,255,214	A *	10/1993	Ma	.....	361/679.06
5,900,848	A *	5/1999	Haneda et al.	.....	345/1.1
6,665,175	B1 *	12/2003	deBoer et al.	.....	361/679.06
6,714,403	B2 *	3/2004	Furuki et al.	.....	361/679.09
D621,827	S *	8/2010	Cheng et al.	.....	D14/327

D626,547	S *	11/2010	Li et al.	.....	D14/316
D649,543	S *	11/2011	Tseng et al.	.....	D14/315
2005/0063145	A1 *	3/2005	Homer et al.	.....	361/683
2005/0128695	A1 *	6/2005	Han	.....	361/683

\* cited by examiner

*Primary Examiner* — Freda S Nunn

(74) *Attorney, Agent, or Firm* — Terrile, Cannatti, Chambers & Holland, LLP; Robert W. Holland

(57) **CLAIM**

We claim the ornamental design for the convertible information handling system, as shown and described.

**DESCRIPTION**

FIG. 1 is a front perspective view of the convertible information handling system in a closed position comprising the present invention;

FIG. 2 is a front side view thereof;

FIG. 3 is a rear side view thereof;

FIG. 4 is a right side view thereof;

FIG. 5 is a left side view thereof;

FIG. 6 is a top view thereof; and

FIG. 7 is a bottom view thereof;

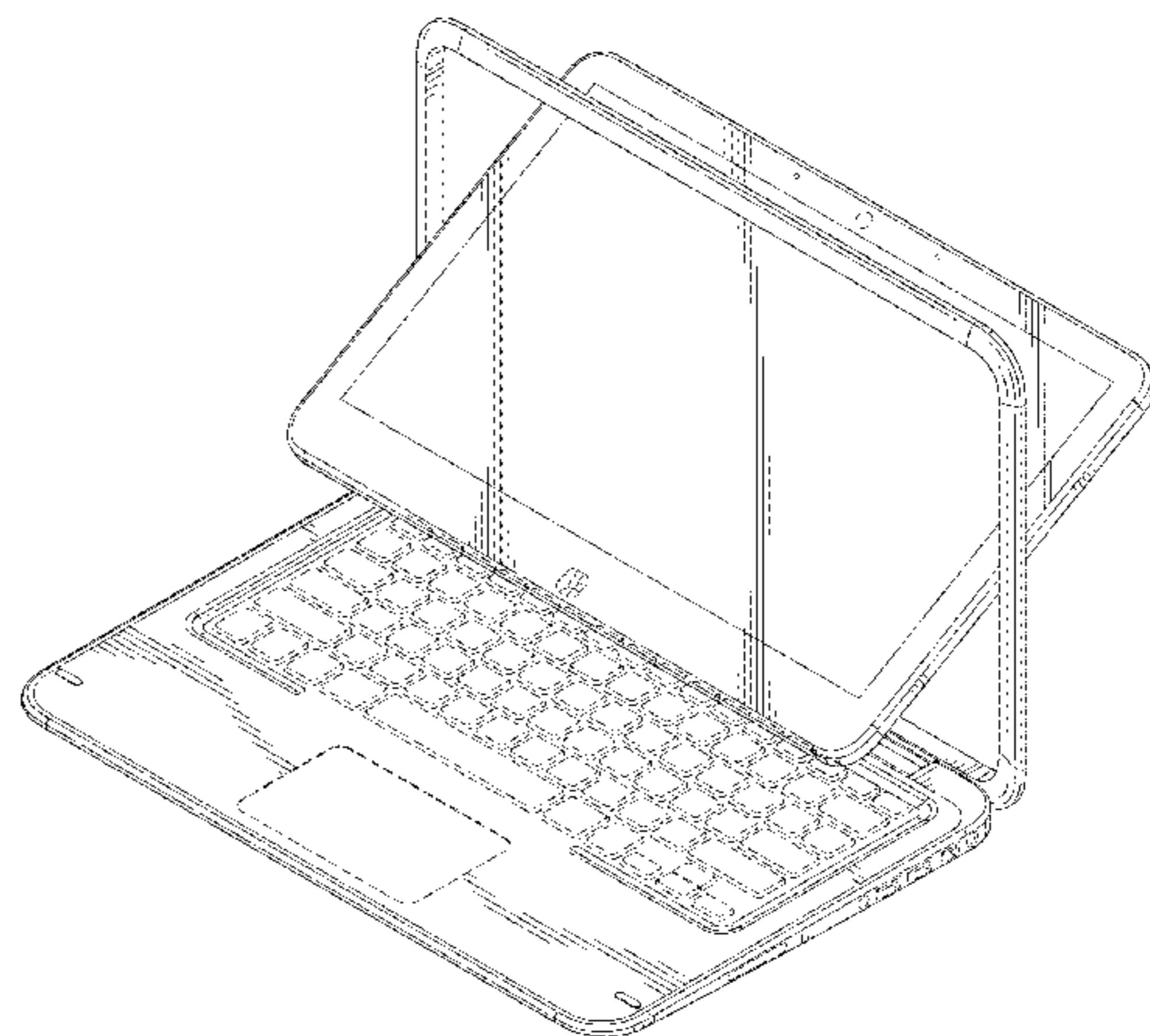
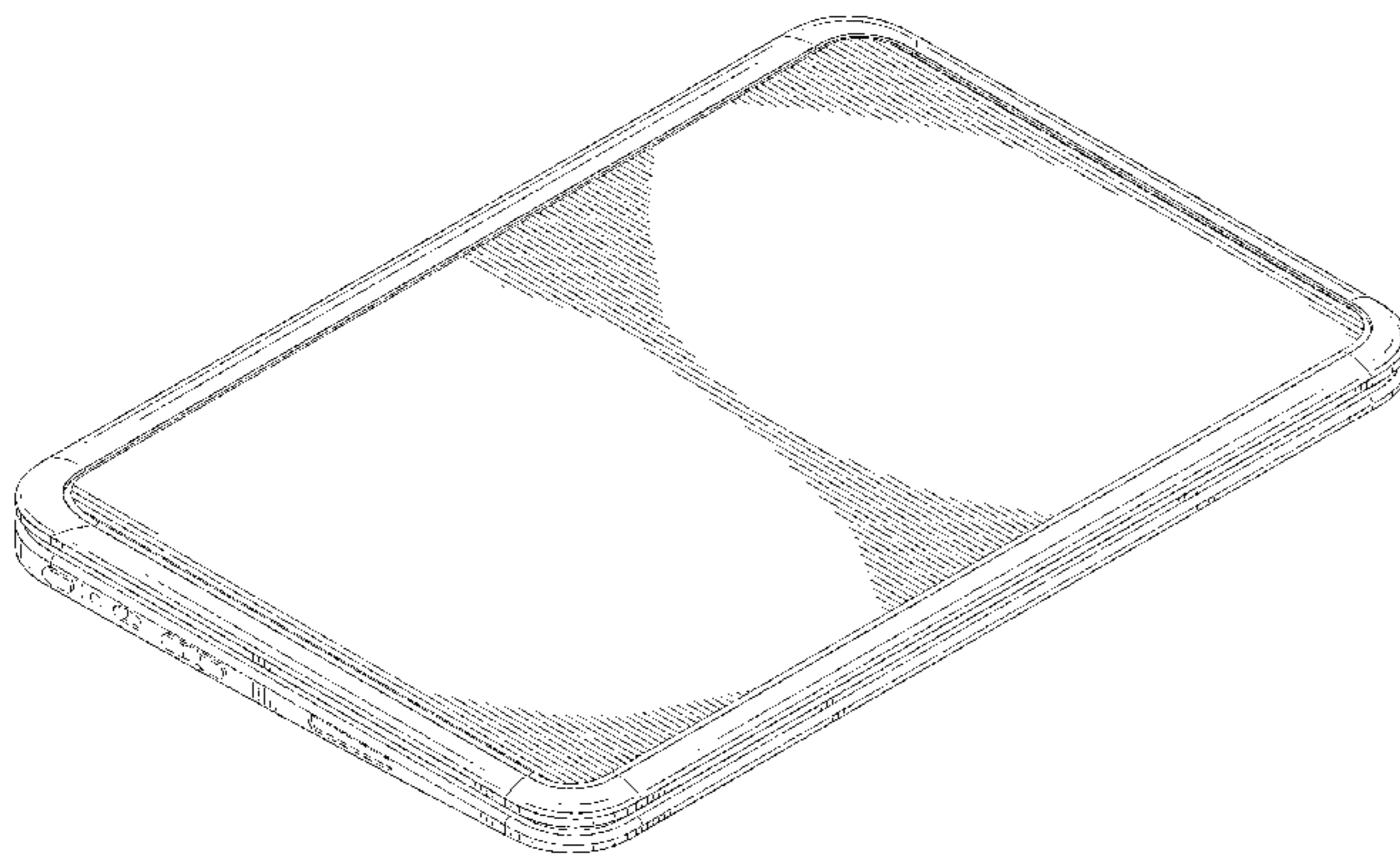
FIG. 8 is a front perspective view in an open position thereof;

FIG. 9 is a front perspective view in a conversion position thereof; and,

FIG. 10 is a front perspective view in a closed tablet position thereof.

Broken lines shown in the drawings illustrate portions of the convertible information handling system, and form no part of the claimed design.

**1 Claim, 8 Drawing Sheets**



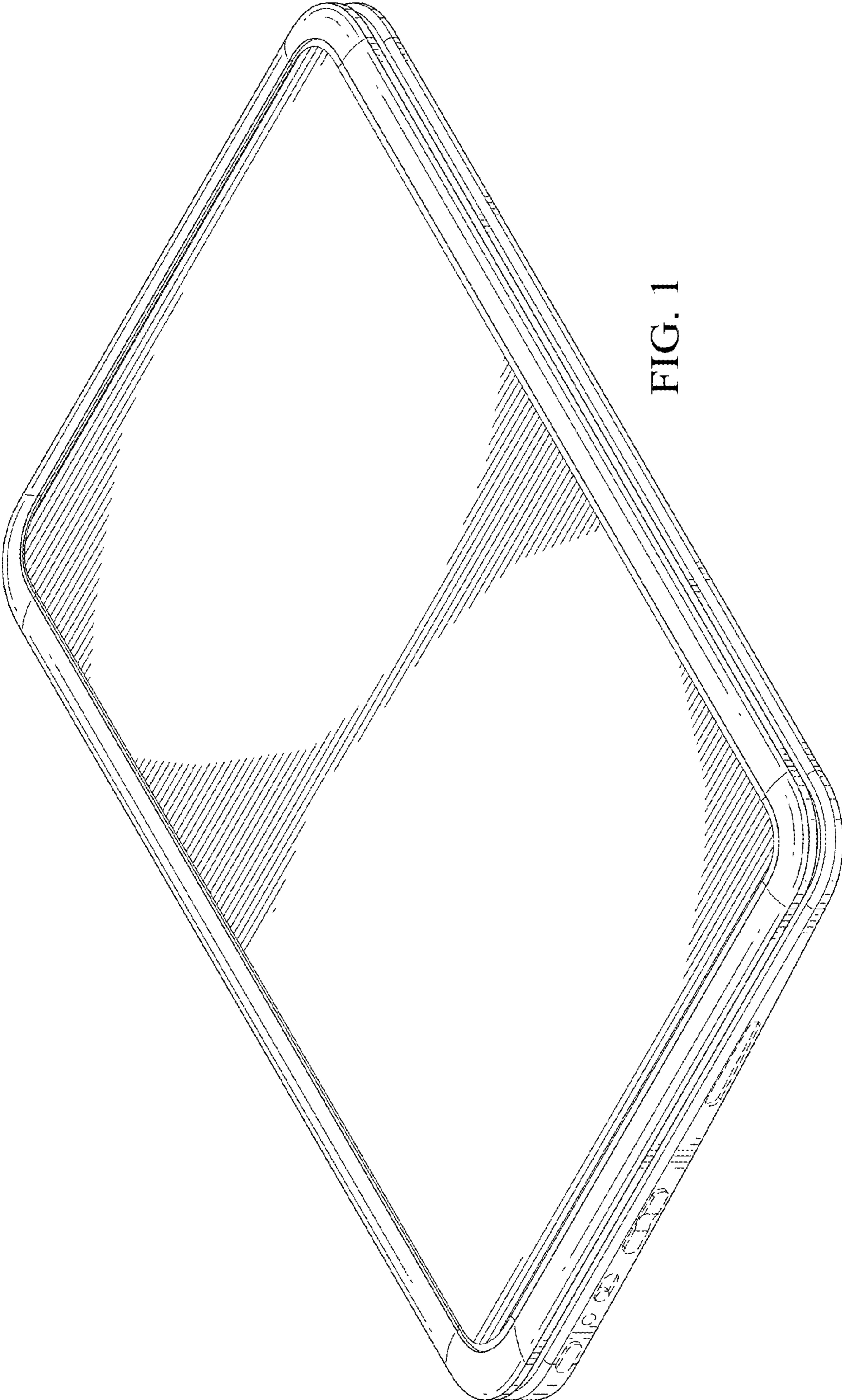


FIG. 1

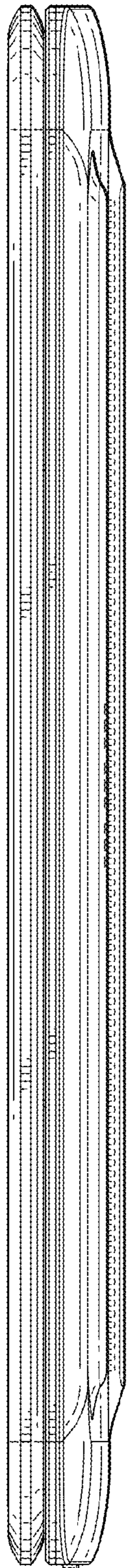


FIG. 2

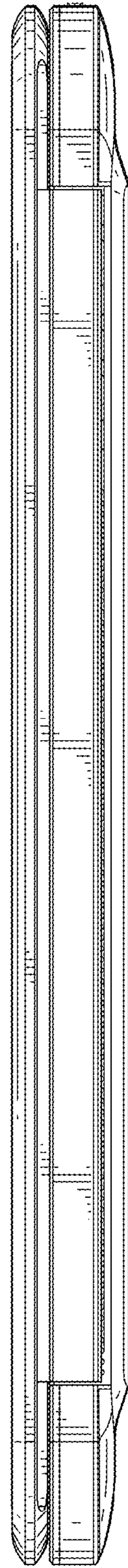


FIG. 3

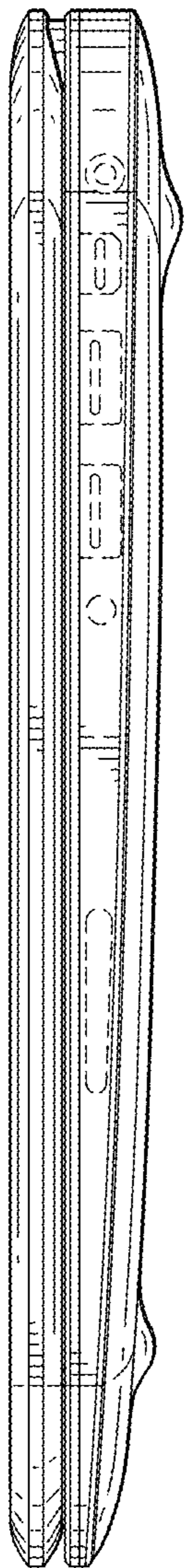


FIG. 4

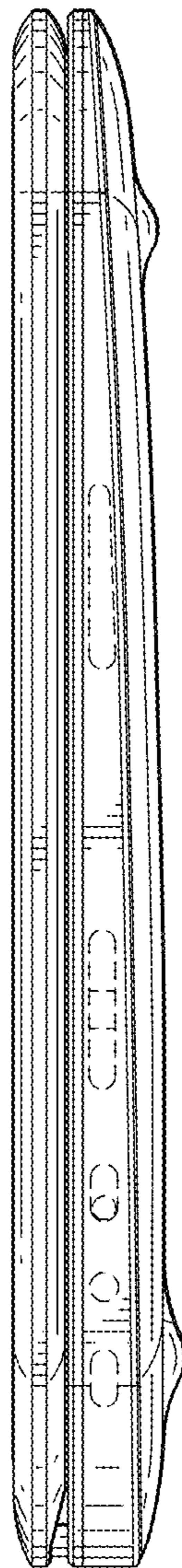


FIG. 5

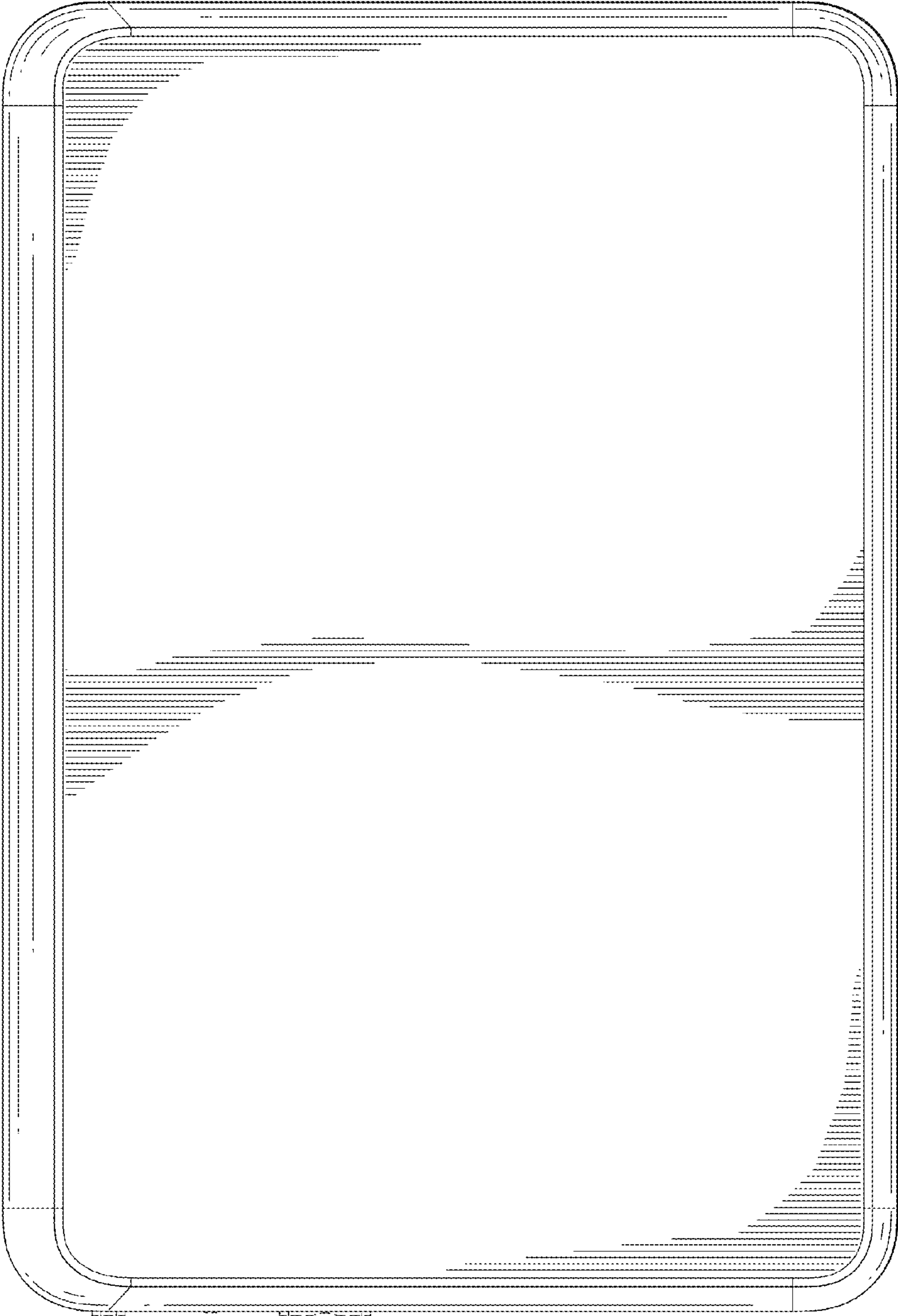


FIG. 6

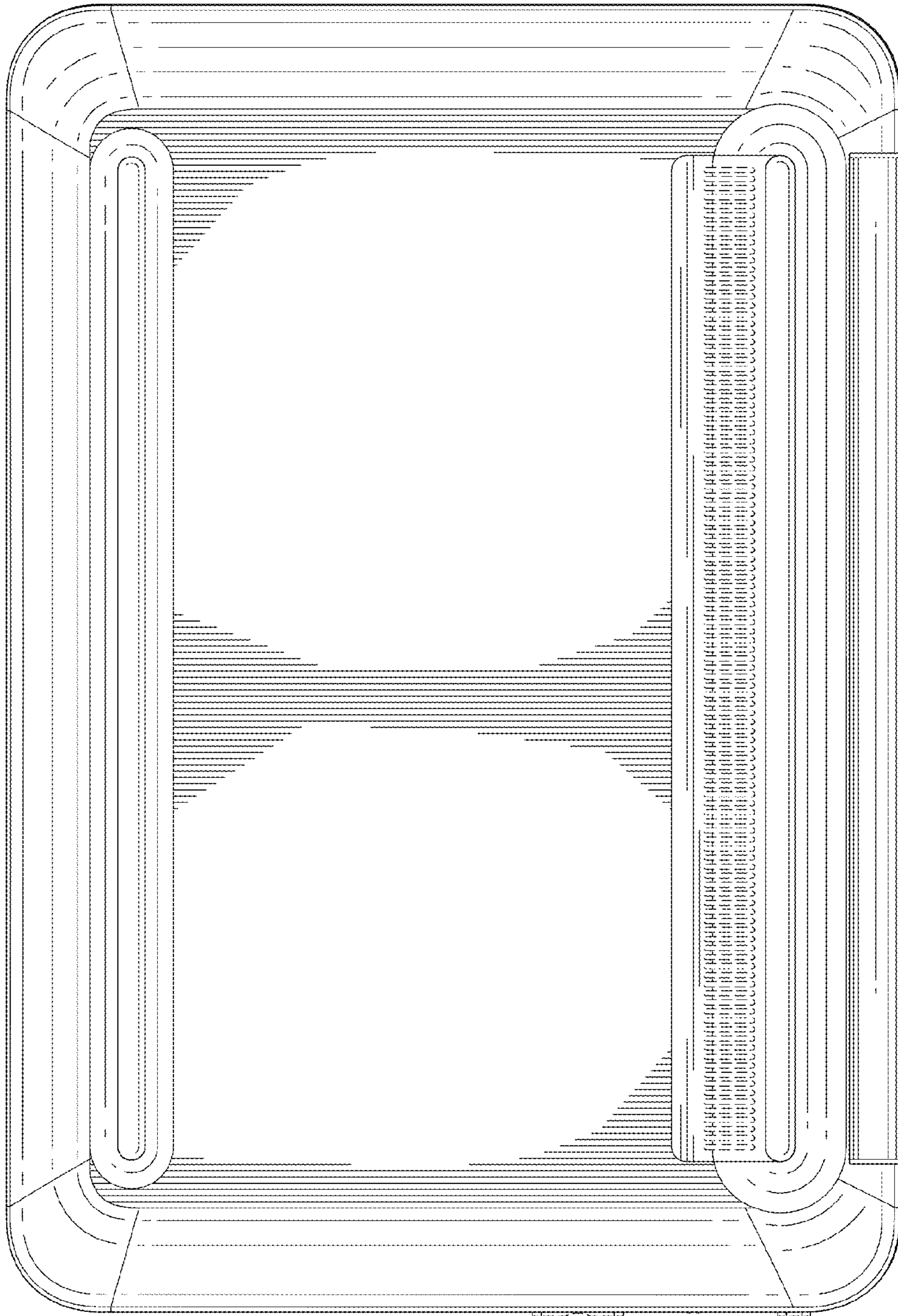


FIG. 7

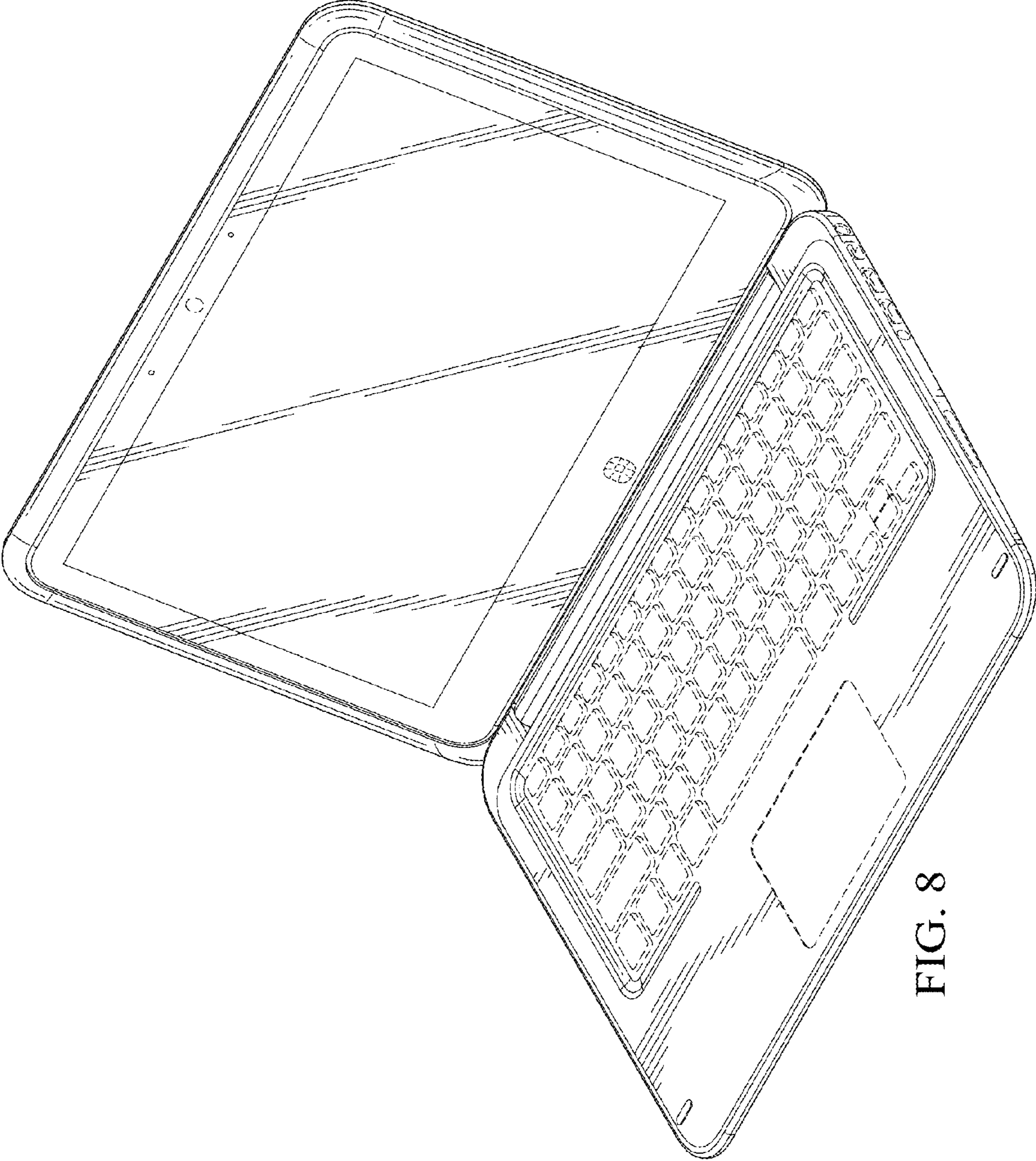


FIG. 8

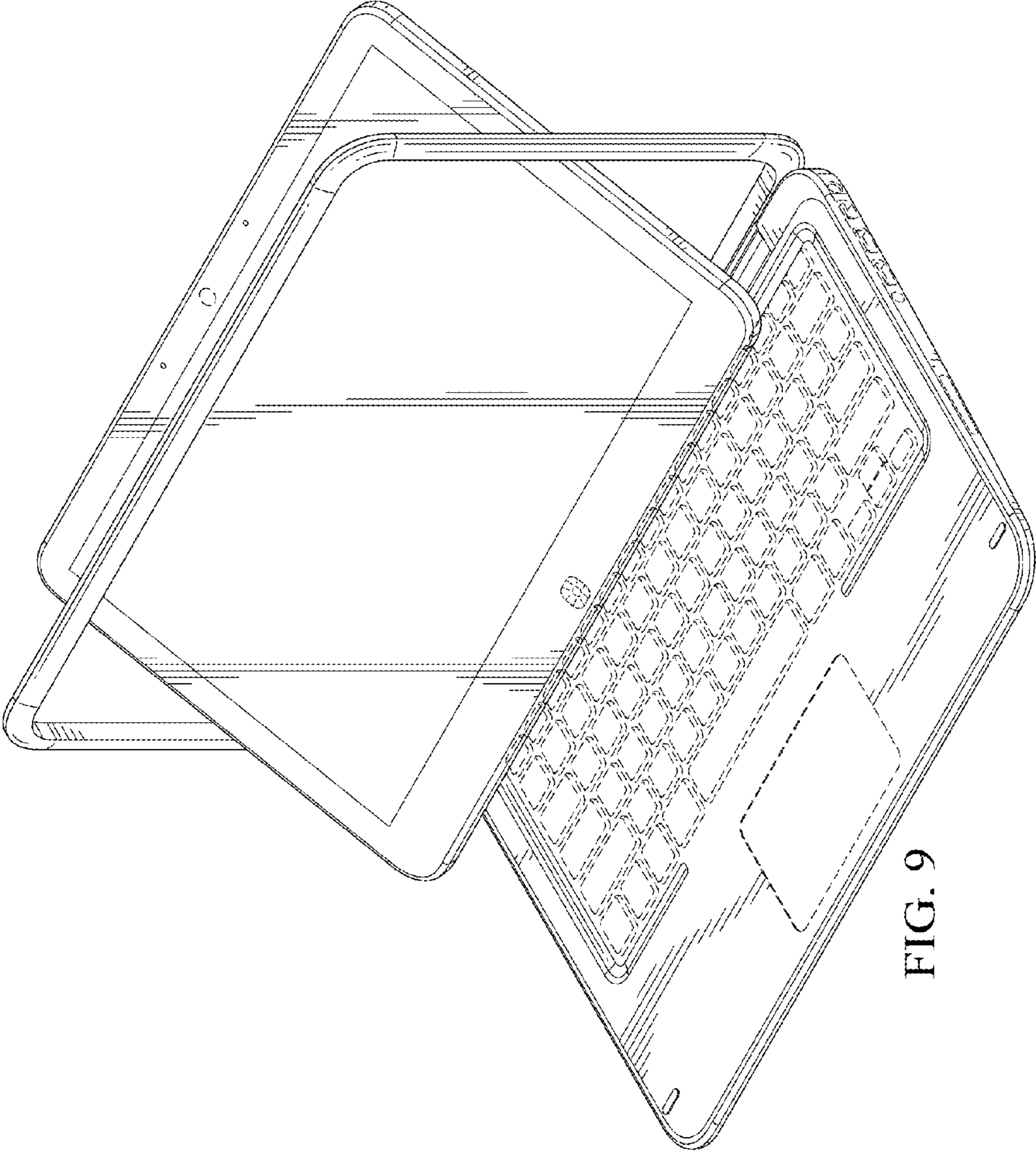


FIG. 9



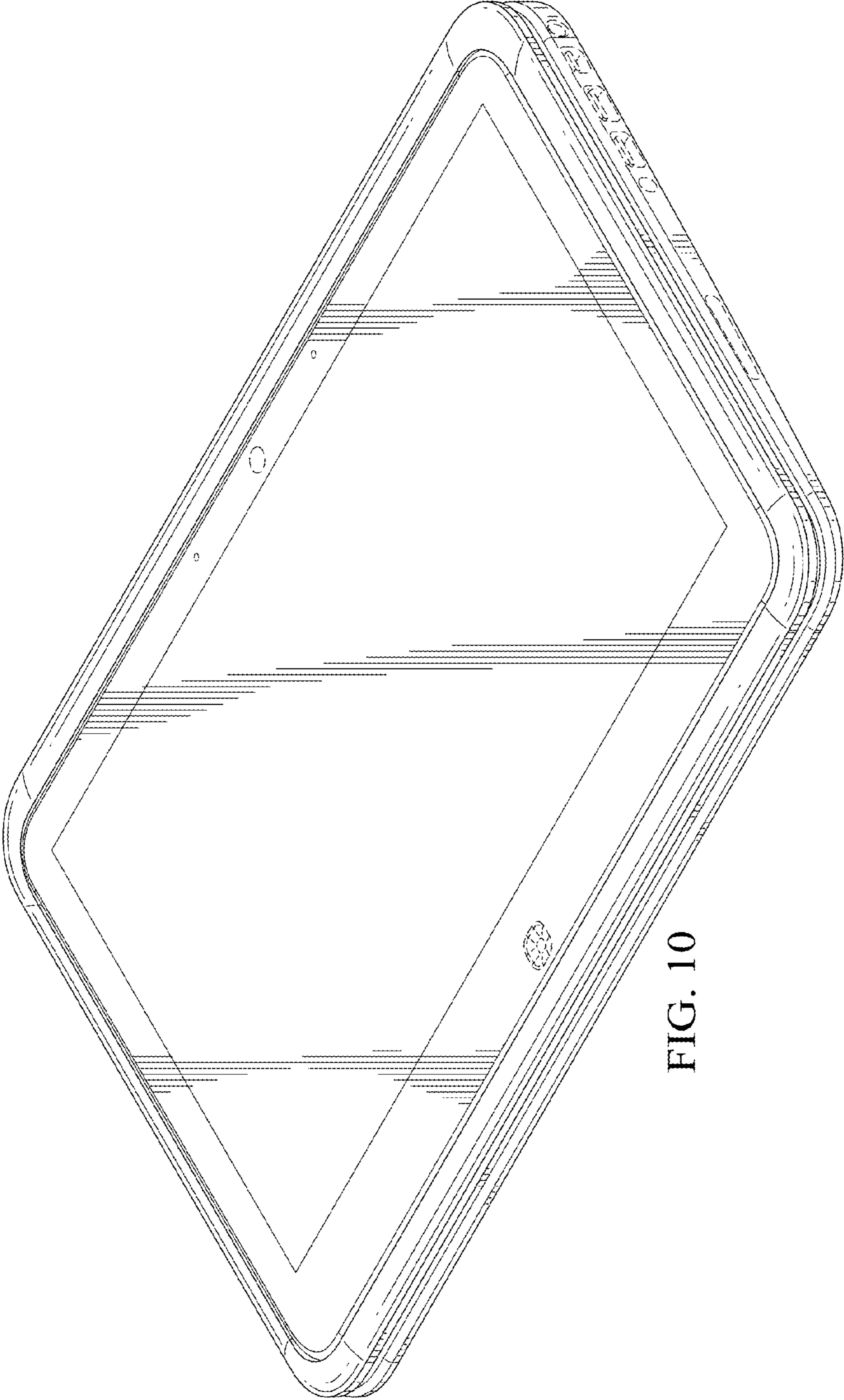


FIG. 10