



US00D691602S

(12) **United States Design Patent**
Sugihara et al.

(10) **Patent No.:** **US D691,602 S**
(45) **Date of Patent:** **** Oct. 15, 2013**

(54) **HEAD-MOUNT DISPLAY**

(71) Applicant: **Olympus Corporation**, Tokyo (JP)

(72) Inventors: **Ryohei Sugihara**, Tokyo (JP); **Seiji Tatsuta**, Tokyo (JP); **Teruo Tomita**, Tokyo (JP)

(73) Assignee: **Olympus Corporation**, Tokyo (JP)

(**) Term: **14 Years**

(21) Appl. No.: **29/450,758**

(22) Filed: **Mar. 22, 2013**

(51) **LOC (9) Cl.** **16-06**

(52) **U.S. Cl.**
USPC **D14/300**; D14/126; D14/372

(58) **Field of Classification Search**
USPC D16/101, 300-342, 900; D29/109-110;
351/41, 44, 51-52, 62, 158, 92, 103-123,
351/140-153, 45-46; 2/426-432, 447-449,
2/441, 434-437, 13, 15; D21/483, 659-661;
D14/372
See application file for complete search history.

(56) **References Cited**

U.S. PATENT DOCUMENTS

D337,320 S *	7/1993	Hunter et al.	D14/372
D429,253 S *	8/2000	Robertson et al.	D14/496
D436,960 S *	1/2001	Budd et al.	D14/372
D441,388 S *	5/2001	Lightman	D16/300
D512,985 S *	12/2005	Travers et al.	D14/206
D517,066 S *	3/2006	Travers et al.	D14/372

FOREIGN PATENT DOCUMENTS

JP	1418487 S	7/2011
JP	1418488 S	7/2011
JP	1418490 S	7/2011
JP	1418494 S	7/2011
JP	1470226 S	5/2013
JP	1474521 S	7/2013
JP	1474522 S	7/2013

OTHER PUBLICATIONS

Weekly Ascii vol. 24, the 877th issue (issued on Apr. 10, 2012), pp. 12 (JPO Design Division Prior Art Ref. No. HA24001972).

* cited by examiner

Primary Examiner — Raphael Barkai

(74) *Attorney, Agent, or Firm* — Scully, Scott, Murphy & Presser, P.C.

(57) **CLAIM**

The ornamental design for a head-mount display, as shown and described.

DESCRIPTION

FIG. 1 is a perspective view of a head-mount display showing our new design;
FIG. 2 is a front view thereof;
FIG. 3 is a bottom view thereof;
FIG. 4 is a right side view thereof;
FIG. 5 is a left side view thereof;
FIG. 6 is a rear view thereof; and,
FIG. 7 is a top view thereof.
Broken lines show environment and form no part of the claimed design.

1 Claim, 7 Drawing Sheets

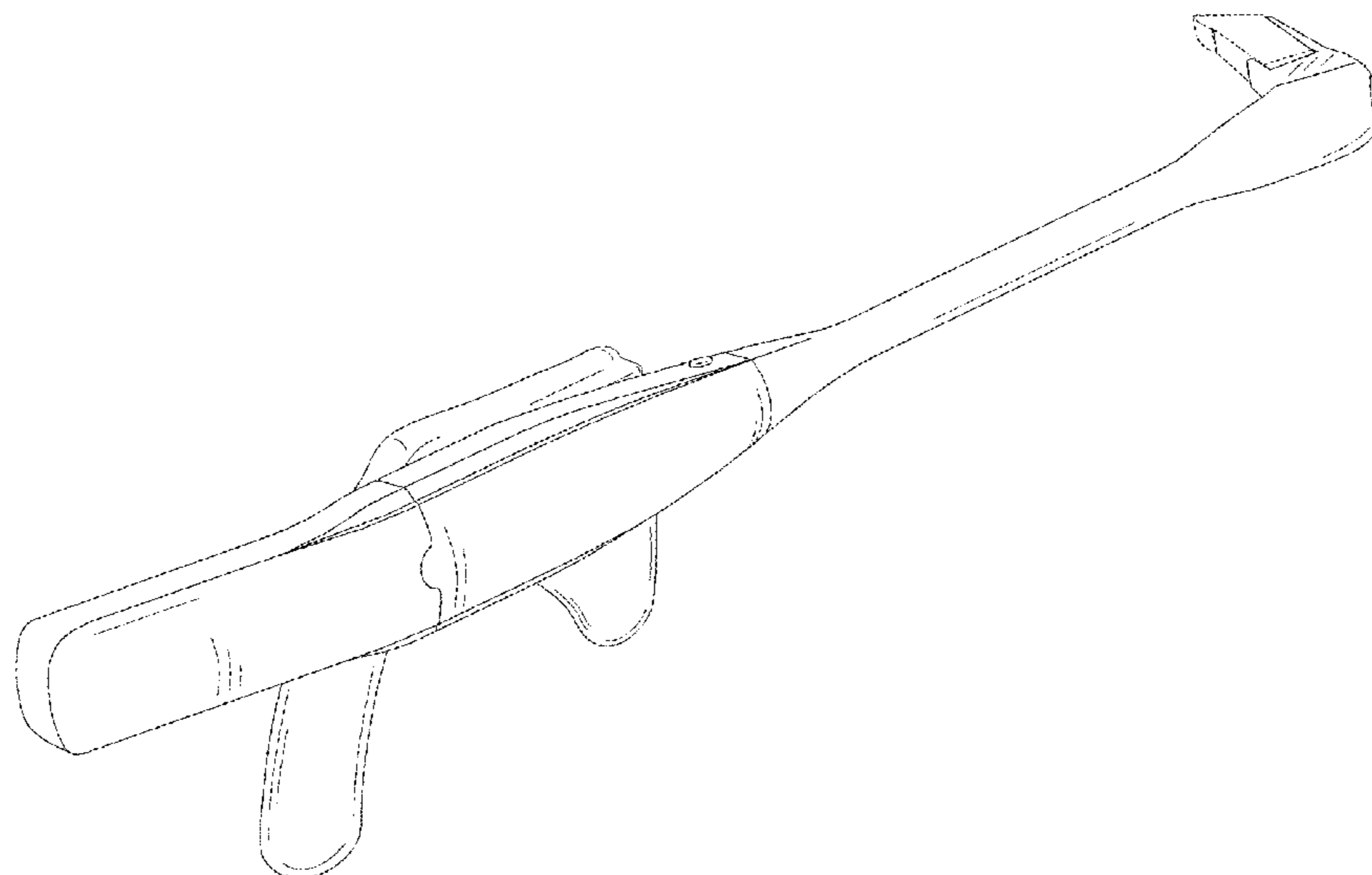


FIG. 1

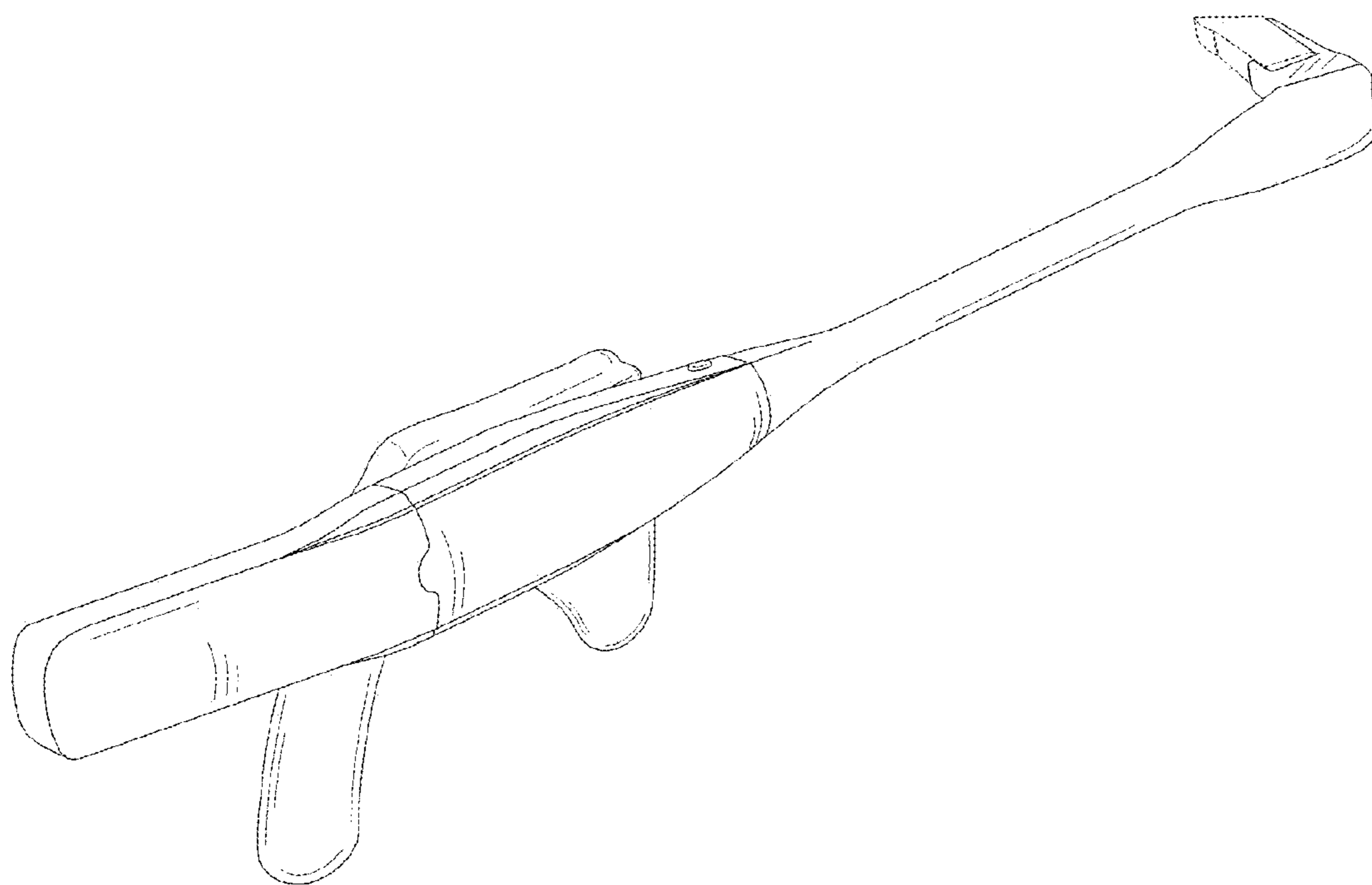


FIG. 2

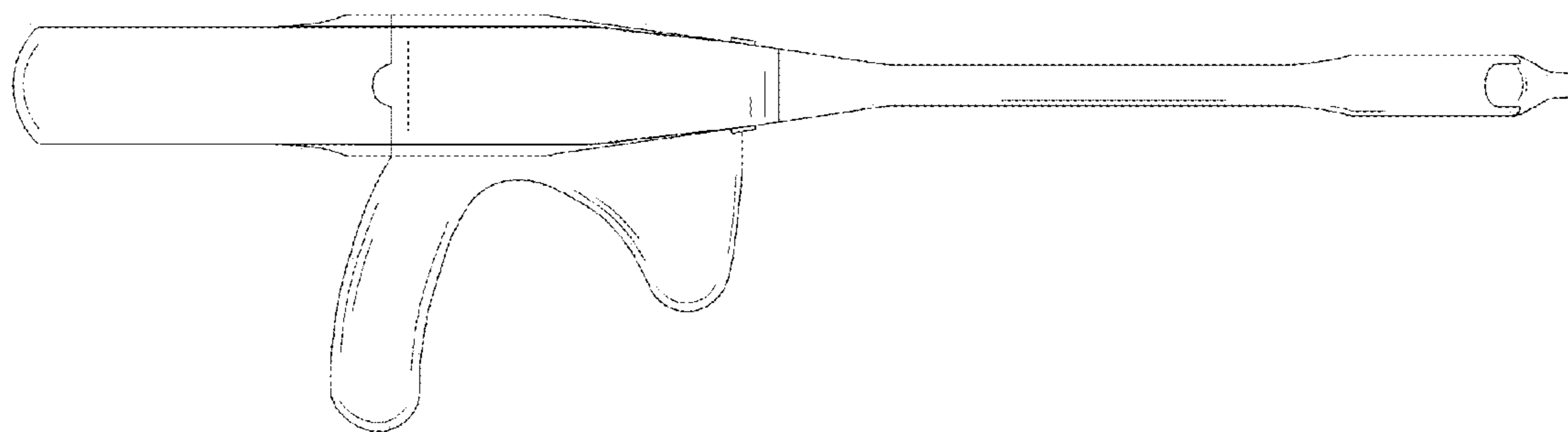


FIG. 3

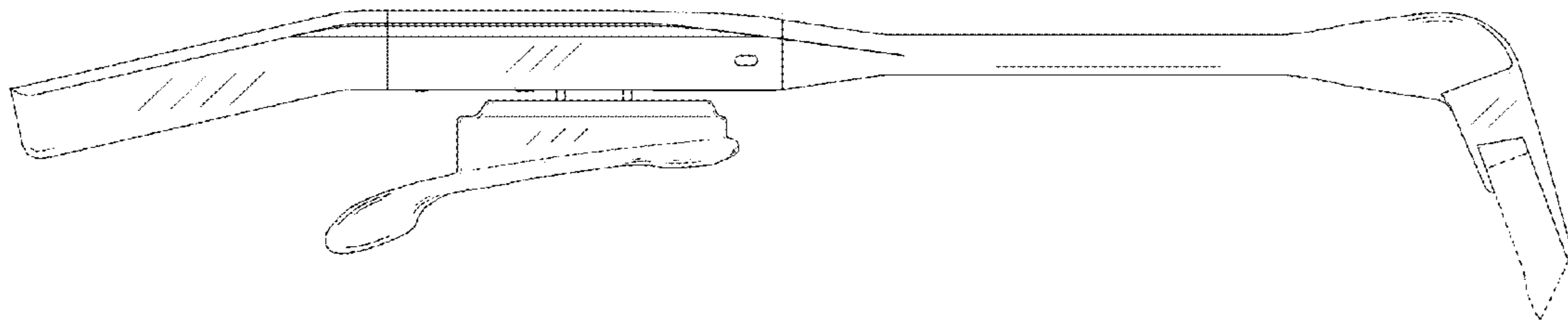


FIG. 4

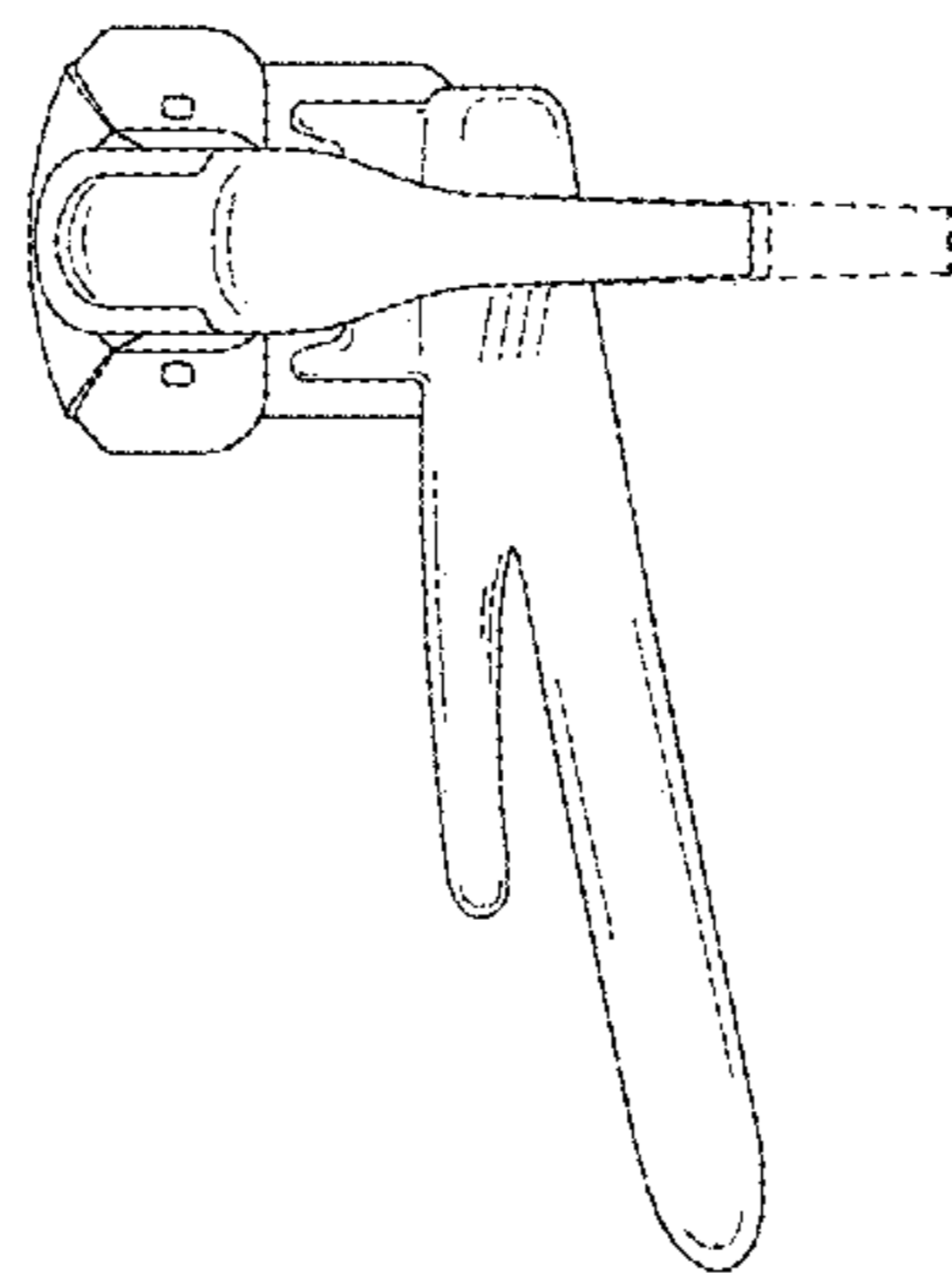


FIG. 5

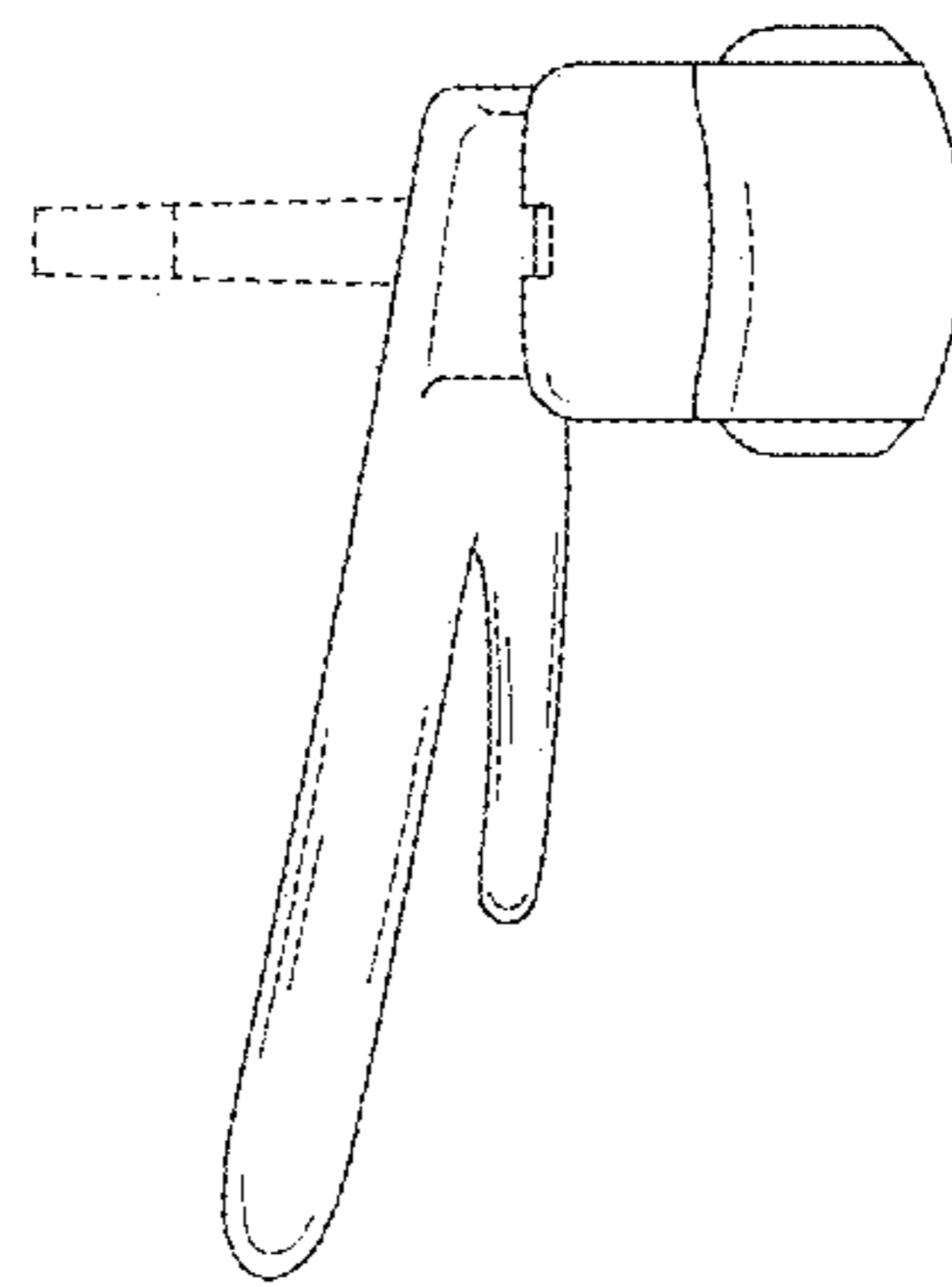


FIG. 6

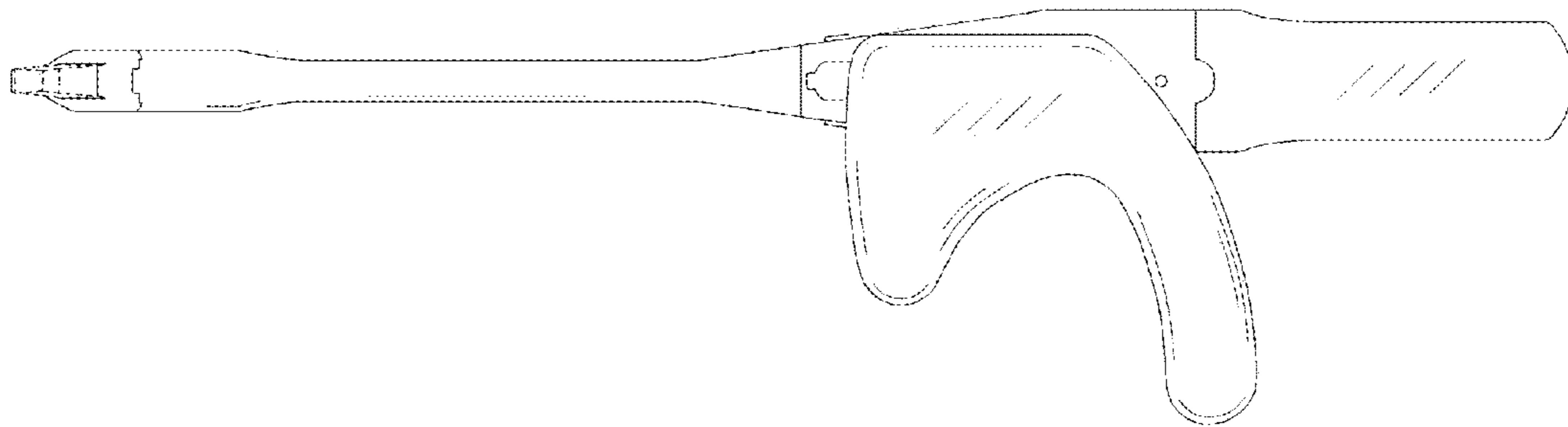


FIG. 7

