



US00D691598S

(12) **United States Design Patent**
Fuller

(10) **Patent No.:** **US D691,598 S**

(45) **Date of Patent:** **** *Oct. 15, 2013**

(54) **AUDIO SPEAKER FRAME**

(75) Inventor: **Jacob Aaron Fuller**, Troutman, NC
(US)

(73) Assignee: **Jacob Aaron Fuller**, Claremont, NC
(US)

(*) Notice: This patent is subject to a terminal disclaimer.

(**) Term: **14 Years**

(21) Appl. No.: **29/419,408**

(22) Filed: **Apr. 27, 2012**

(51) **LOC (9) Cl.** **14-01**

(52) **U.S. Cl.**
USPC **D14/224**

(58) **Field of Classification Search**
USPC D14/224, 219, 216, 221, 222; 381/392,
381/150, 433, 412, 419, 420, 394, 405, 396,
381/397, 400, 403; 181/166, 171, 172, 173,
181/174, 433

See application file for complete search history.

(56) **References Cited**

U.S. PATENT DOCUMENTS

| | | | | | |
|-----------|-----|---------|-----------------|-------|---------|
| 1,905,702 | A * | 4/1933 | Hardisty | | 381/403 |
| 1,991,526 | A * | 2/1935 | Tichenor et al. | | 381/411 |
| 1,991,738 | A * | 2/1935 | Gaubert et al. | | 381/420 |
| 2,532,414 | A * | 12/1950 | Levy | | 381/404 |
| 2,638,509 | A * | 5/1953 | Charlesworth | | 381/386 |
| 3,356,796 | A * | 12/1967 | Wray | | 381/433 |
| D239,538 | S * | 4/1976 | Wagner | | D14/216 |

| | | | | | |
|-----------|------|---------|-----------------|-------|---------|
| D270,533 | S * | 9/1983 | Piercy | | D14/224 |
| D282,065 | S * | 1/1986 | Piercy | | D14/224 |
| D318,671 | S * | 7/1991 | Naumann | | D14/224 |
| D393,641 | S * | 4/1998 | Hai-Fu | | D14/216 |
| D400,884 | S * | 11/1998 | Christie, II | | D14/216 |
| D451,087 | S * | 11/2001 | Moro et al. | | D14/221 |
| D451,499 | S * | 12/2001 | Stompler et al. | | D14/224 |
| D451,908 | S * | 12/2001 | Mackie et al. | | D14/224 |
| D451,909 | S * | 12/2001 | Mackie et al. | | D14/224 |
| D455,733 | S * | 4/2002 | Stompler et al. | | D14/224 |
| D472,232 | S * | 3/2003 | Stompler et al. | | D14/224 |
| D478,572 | S * | 8/2003 | Dawson | | D14/219 |
| D483,743 | S * | 12/2003 | Vosse | | D14/224 |
| 6,738,490 | B2 * | 5/2004 | Brandt | | 381/421 |
| 7,164,777 | B1 | 1/2007 | Stompler | | |
| 7,218,748 | B1 | 5/2007 | Stompler | | |
| D544,857 | S * | 6/2007 | Milne | | D14/224 |
| 8,175,321 | B2 * | 5/2012 | Bryant et al. | | 381/423 |

* cited by examiner

Primary Examiner — Paula Greene

(74) *Attorney, Agent, or Firm* — Clements Bernard PLLC;
Seth L. Hudson

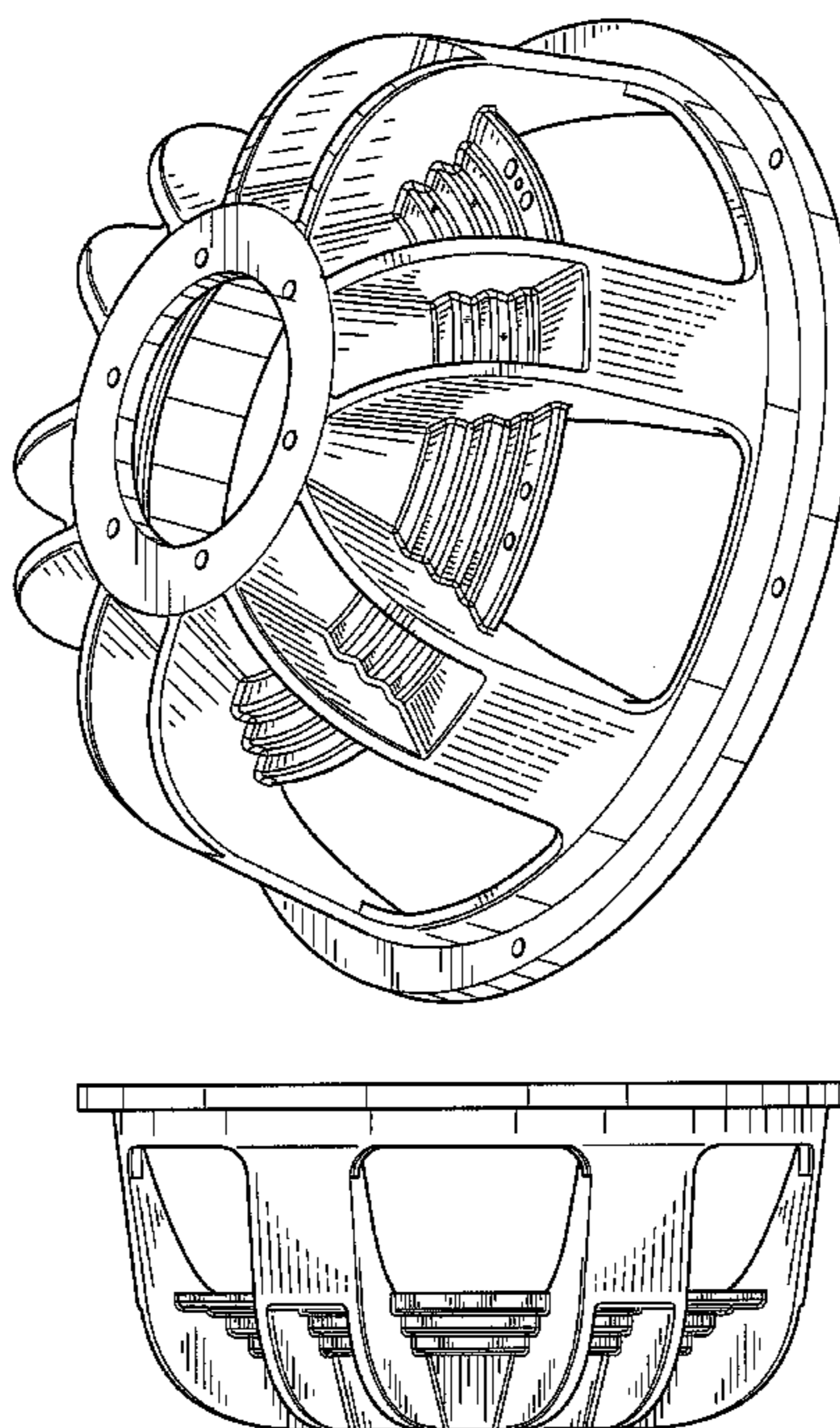
(57) **CLAIM**

The ornamental design for an audio speaker frame, as shown and described.

DESCRIPTION

FIG. 1 is a rear perspective view of an audio speaker frame showing my new design;
FIG. 2 is a front view of the audio speaker frame showing the inner concave portion in the front of the speaker;
FIG. 3 is a back view of the audio speaker frame showing the rear convex portion; and,
FIG. 4 is a side view.

1 Claim, 4 Drawing Sheets



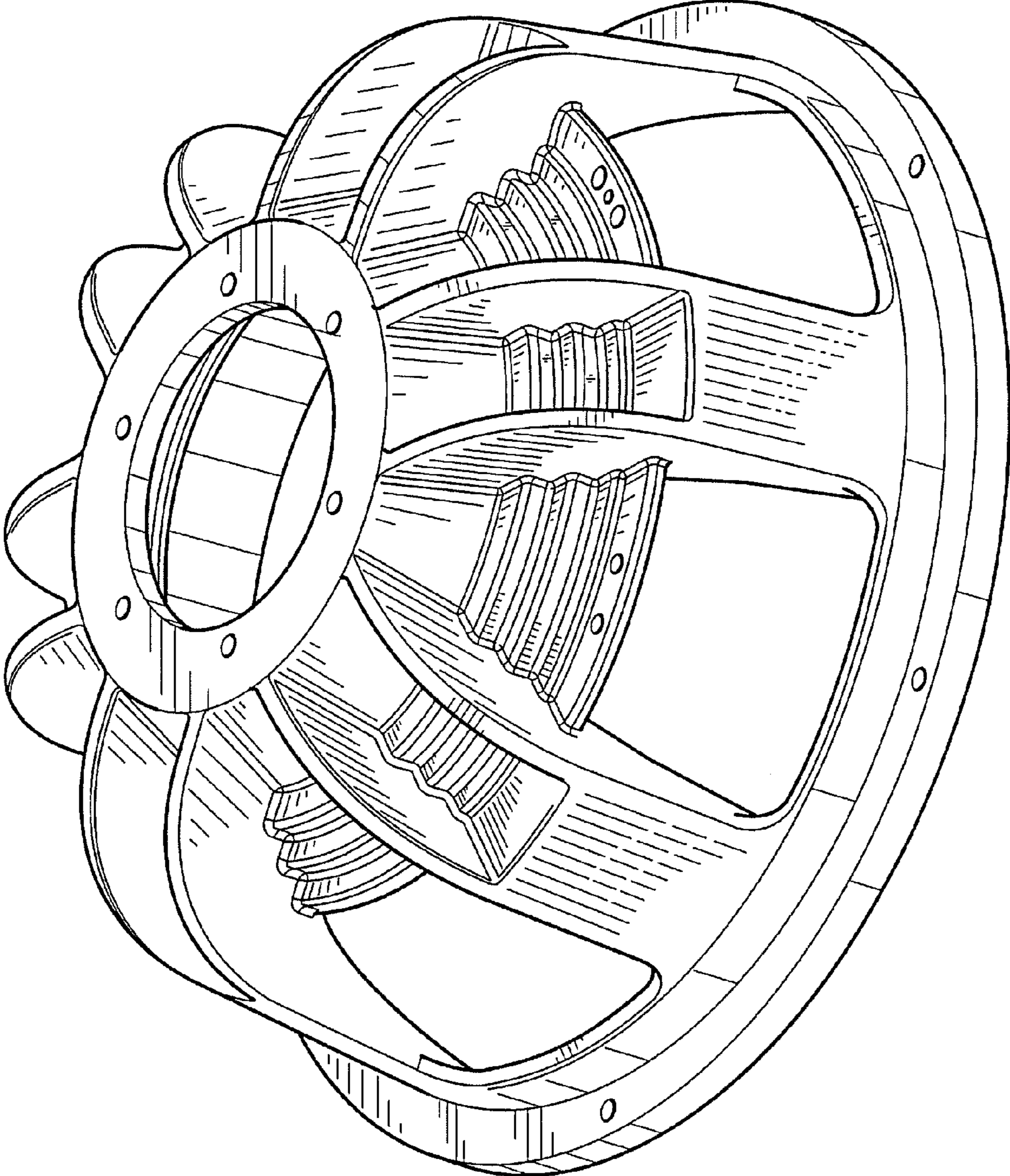


Fig.1

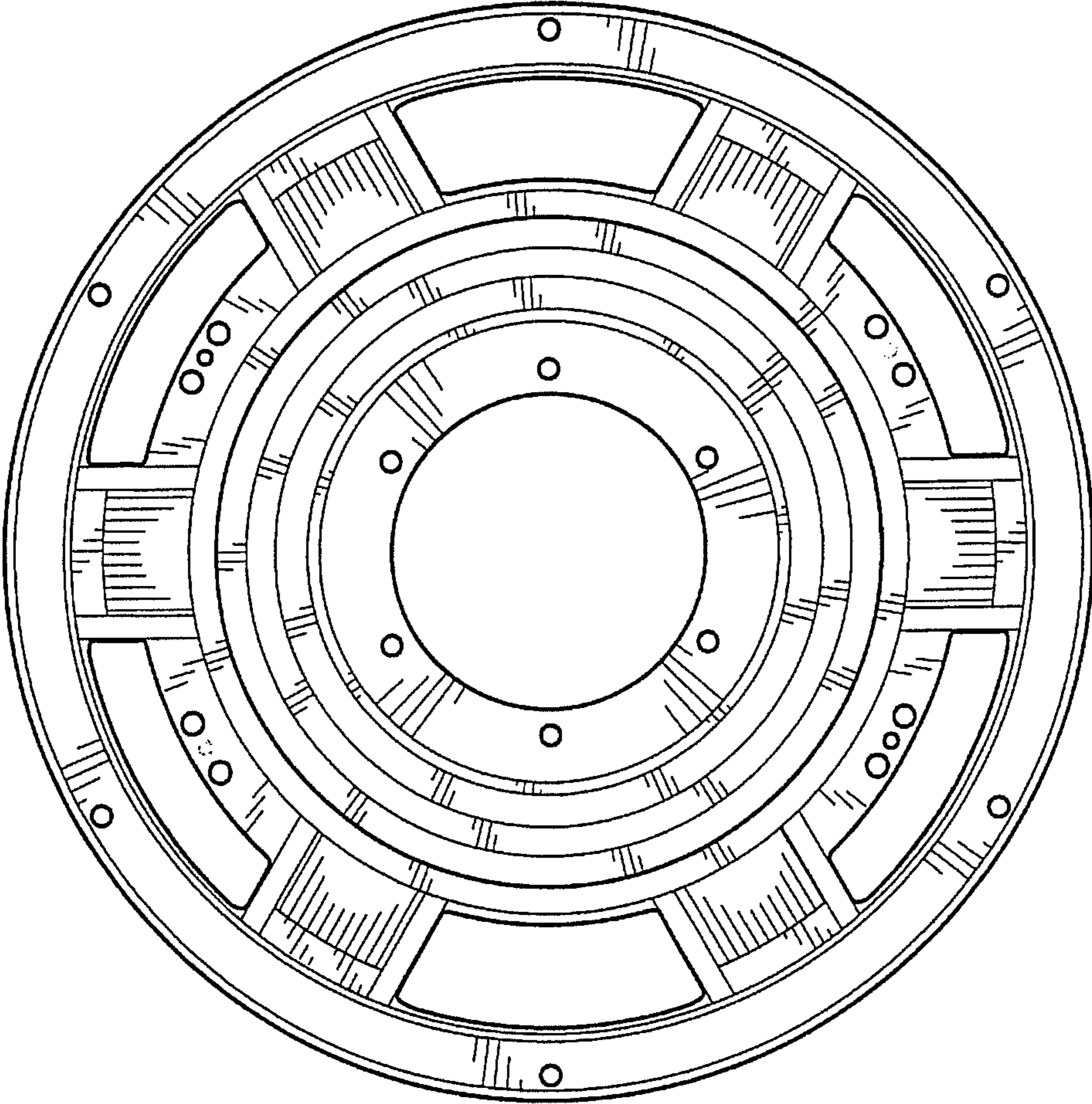


Fig. 2

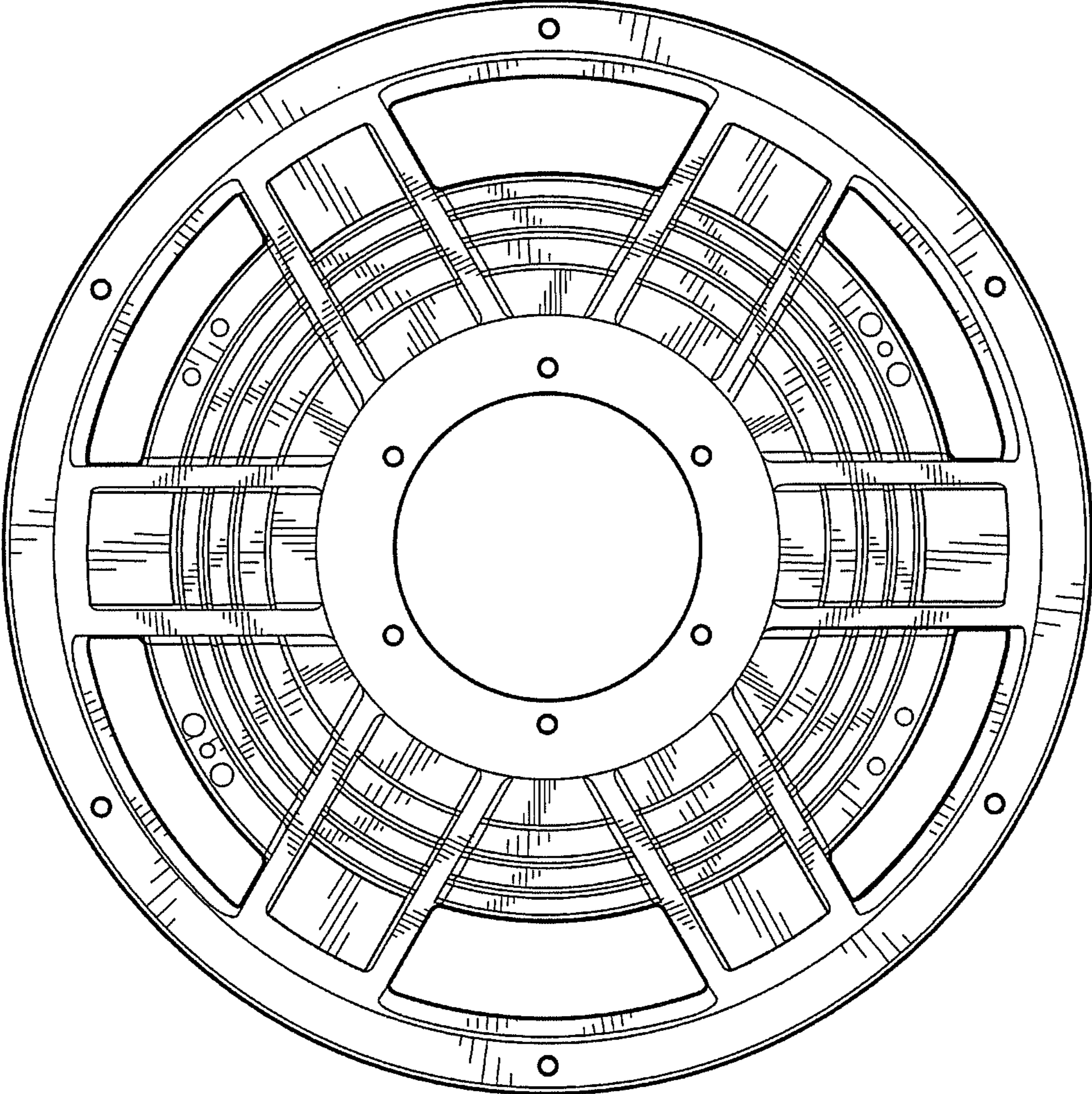


Fig. 3

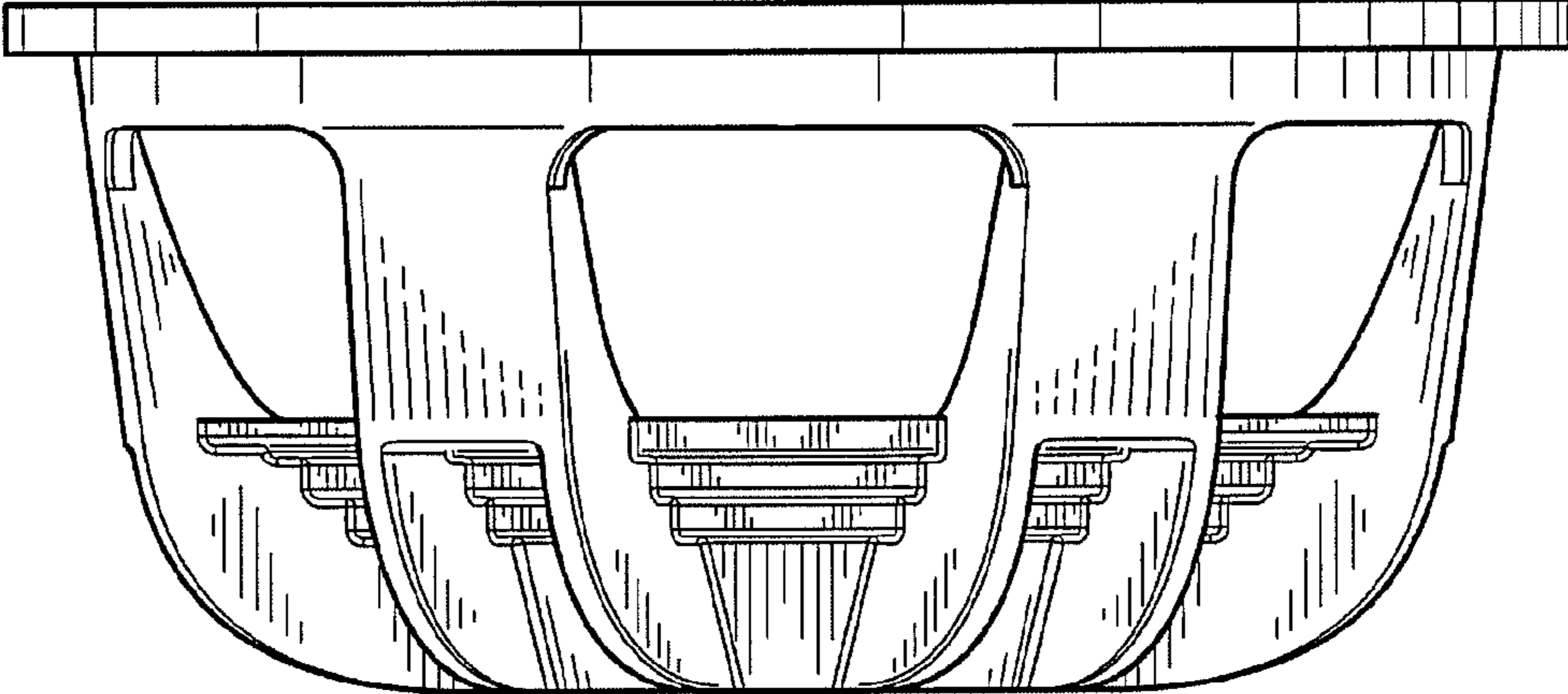


Fig. 4