



US00D691596S

(12) **United States Design Patent**  
**Fuller**

(10) **Patent No.:** **US D691,596 S**

(45) **Date of Patent:** **\*\* \*Oct. 15, 2013**

(54) **AUDIO SPEAKER FRAME**

(75) Inventor: **Jacob Aaron Fuller**, Troutman, NC  
(US)

(73) Assignee: **Jacob Aaron Fuller**, Claremont, NC  
(US)

(\*) Notice: This patent is subject to a terminal disclaimer.

(\*\*) Term: **14 Years**

(21) Appl. No.: **29/419,383**

(22) Filed: **Apr. 27, 2012**

(51) **LOC (9) Cl.** ..... **14-01**

(52) **U.S. Cl.**  
USPC ..... **D14/224**

(58) **Field of Classification Search**  
USPC ..... D14/224, 219, 216, 221, 222; 381/392,  
381/150, 433, 412, 419, 420, 394, 405, 396,  
381/397, 400, 403; 181/166, 171, 172, 173,  
181/174, 433

See application file for complete search history.

(56) **References Cited**

**U.S. PATENT DOCUMENTS**

|           |     |         |                 |       |         |
|-----------|-----|---------|-----------------|-------|---------|
| 1,905,702 | A * | 4/1933  | Hardisty        | ..... | 381/403 |
| 1,991,526 | A * | 2/1935  | Tichenor et al. | ..... | 381/411 |
| 1,991,738 | A * | 2/1935  | Gaubert et al.  | ..... | 381/420 |
| 2,532,414 | A * | 12/1950 | Levy            | ..... | 381/404 |
| 2,638,509 | A * | 5/1953  | Charlesworth    | ..... | 381/386 |
| 3,356,796 | A * | 12/1967 | Wray            | ..... | 381/433 |
| D239,538  | S * | 4/1976  | Wagner          | ..... | D14/216 |

|           |      |         |                 |       |         |
|-----------|------|---------|-----------------|-------|---------|
| D270,533  | S *  | 9/1983  | Piercy          | ..... | D14/224 |
| D282,065  | S *  | 1/1986  | Piercy          | ..... | D14/224 |
| D318,671  | S *  | 7/1991  | Naumann         | ..... | D14/224 |
| D393,641  | S *  | 4/1998  | Hai-Fu          | ..... | D14/216 |
| D400,884  | S *  | 11/1998 | Christie, II    | ..... | D14/216 |
| D451,087  | S *  | 11/2001 | Moro et al.     | ..... | D14/221 |
| D451,499  | S *  | 12/2001 | Stompler et al. | ..... | D14/224 |
| D451,908  | S *  | 12/2001 | Mackie et al.   | ..... | D14/224 |
| D451,909  | S *  | 12/2001 | Mackie et al.   | ..... | D14/224 |
| D455,733  | S *  | 4/2002  | Stompler et al. | ..... | D14/224 |
| D472,232  | S *  | 3/2003  | Stompler et al. | ..... | D14/224 |
| D478,572  | S *  | 8/2003  | Dawson          | ..... | D14/219 |
| D483,743  | S *  | 12/2003 | Vosse           | ..... | D14/224 |
| 6,738,490 | B2 * | 5/2004  | Brandt          | ..... | 381/421 |
| 7,164,777 | B1   | 1/2007  | Stompler        |       |         |
| 7,218,748 | B1   | 5/2007  | Stompler        |       |         |
| D544,857  | S *  | 6/2007  | Milne           | ..... | D14/224 |
| 8,175,321 | B2 * | 5/2012  | Bryant et al.   | ..... | 381/423 |

\* cited by examiner

*Primary Examiner* — Paula Greene

(74) *Attorney, Agent, or Firm* — Clements Bernard PLLC;  
Seth L. Hudson

(57) **CLAIM**

The ornamental design for an audio speaker frame, as shown and described.

**DESCRIPTION**

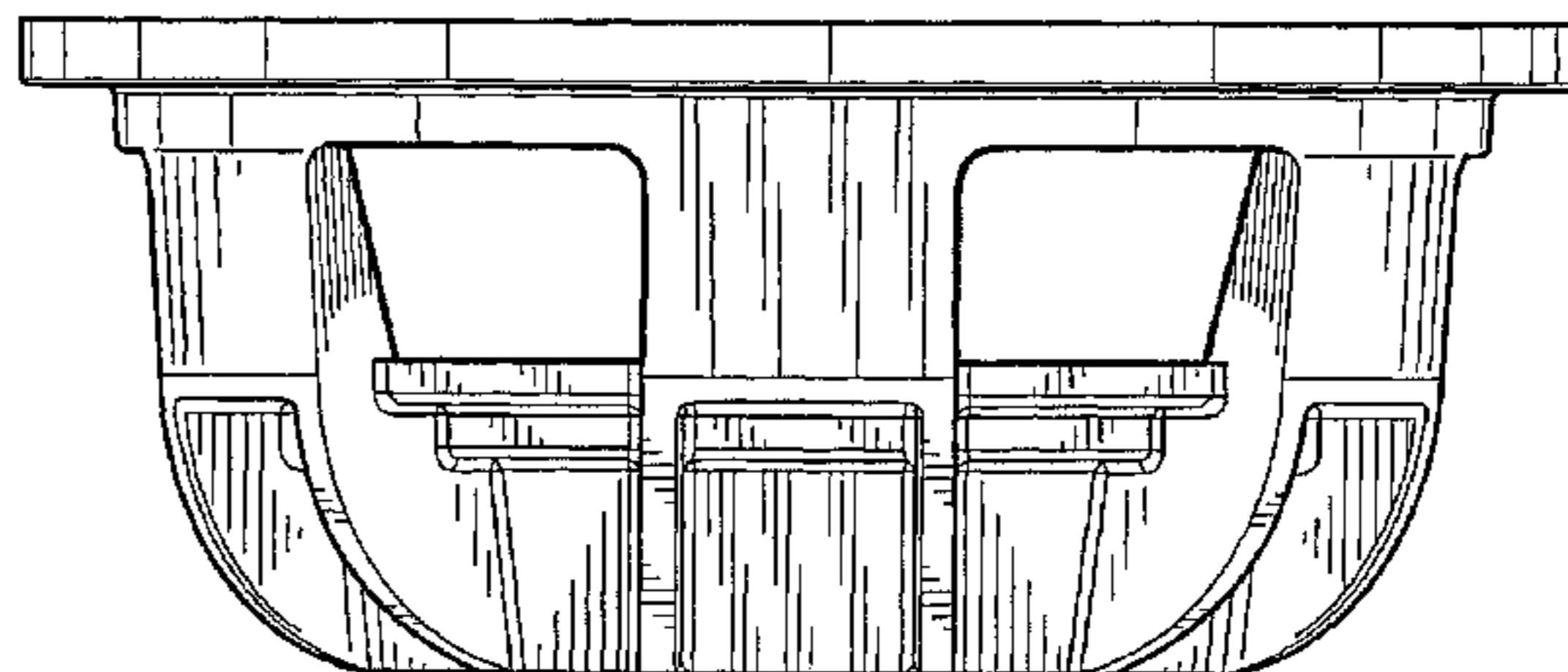
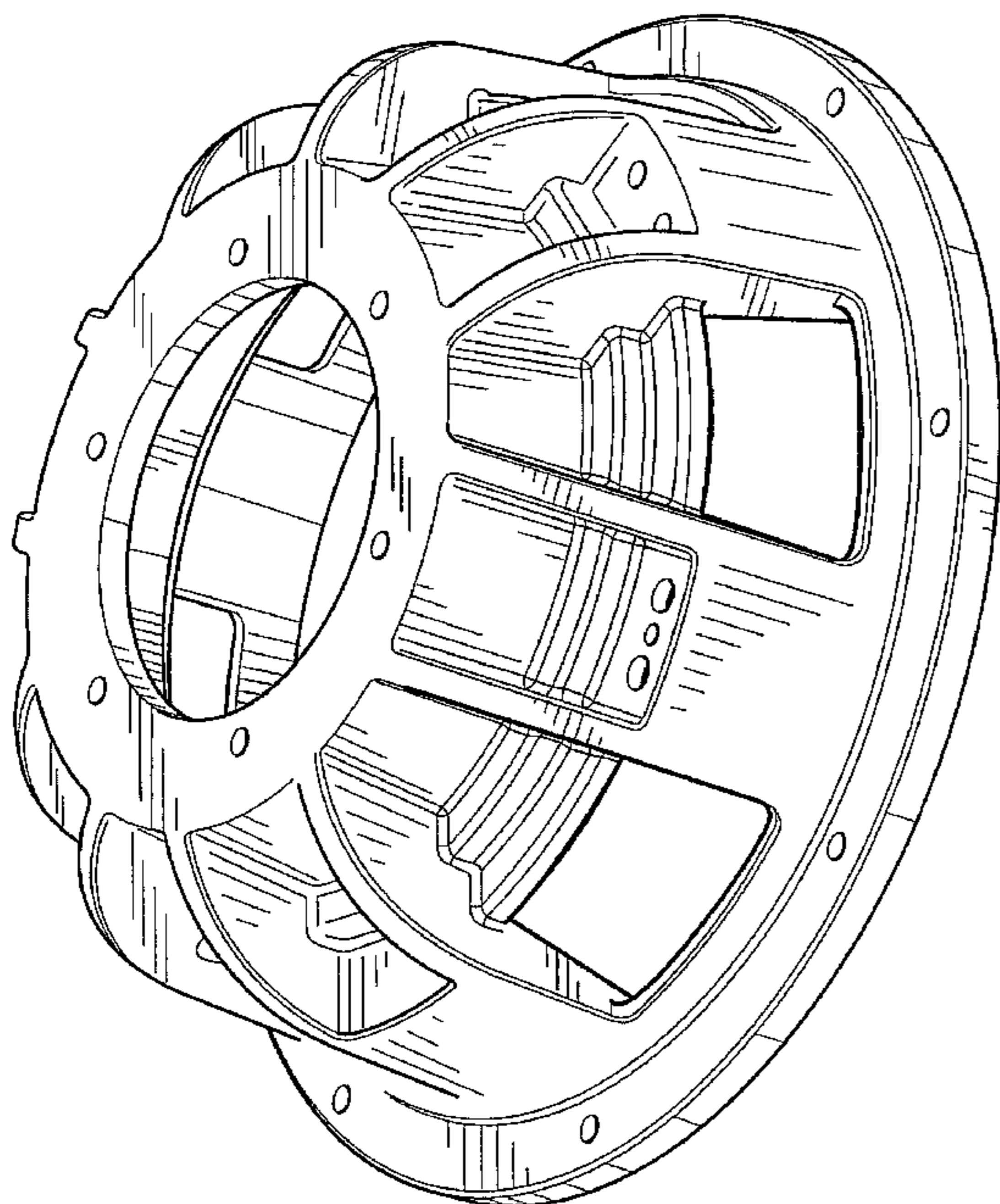
FIG. 1 is a rear perspective view of an audio speaker frame showing my new design;

FIG. 2 is a front view of the audio speaker frame showing the inner concave portion in the front of the speaker;

FIG. 3 is a back view of the audio speaker frame showing the rear convex portion; and,

FIG. 4 is a side view.

**1 Claim, 4 Drawing Sheets**



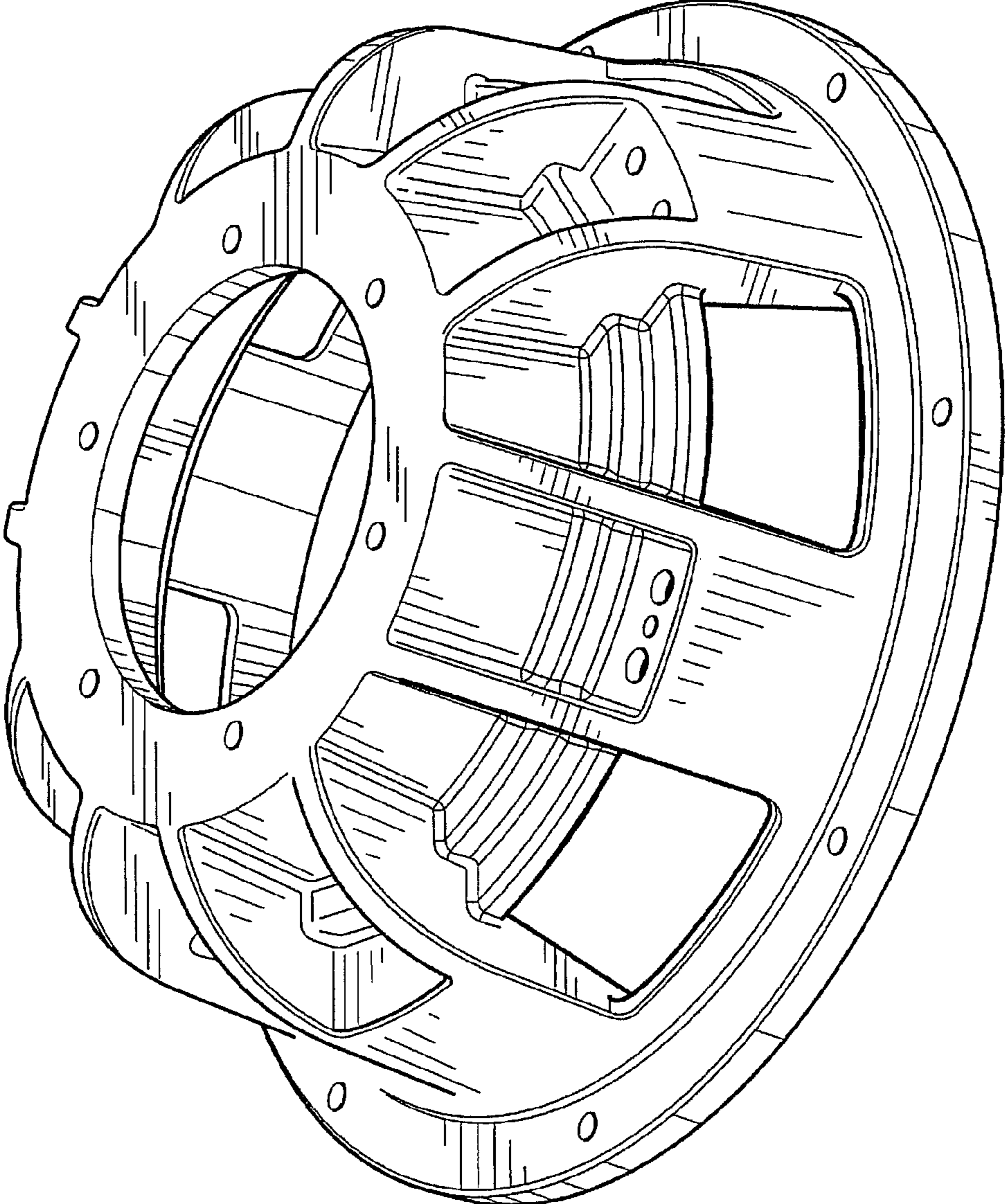


Fig.1

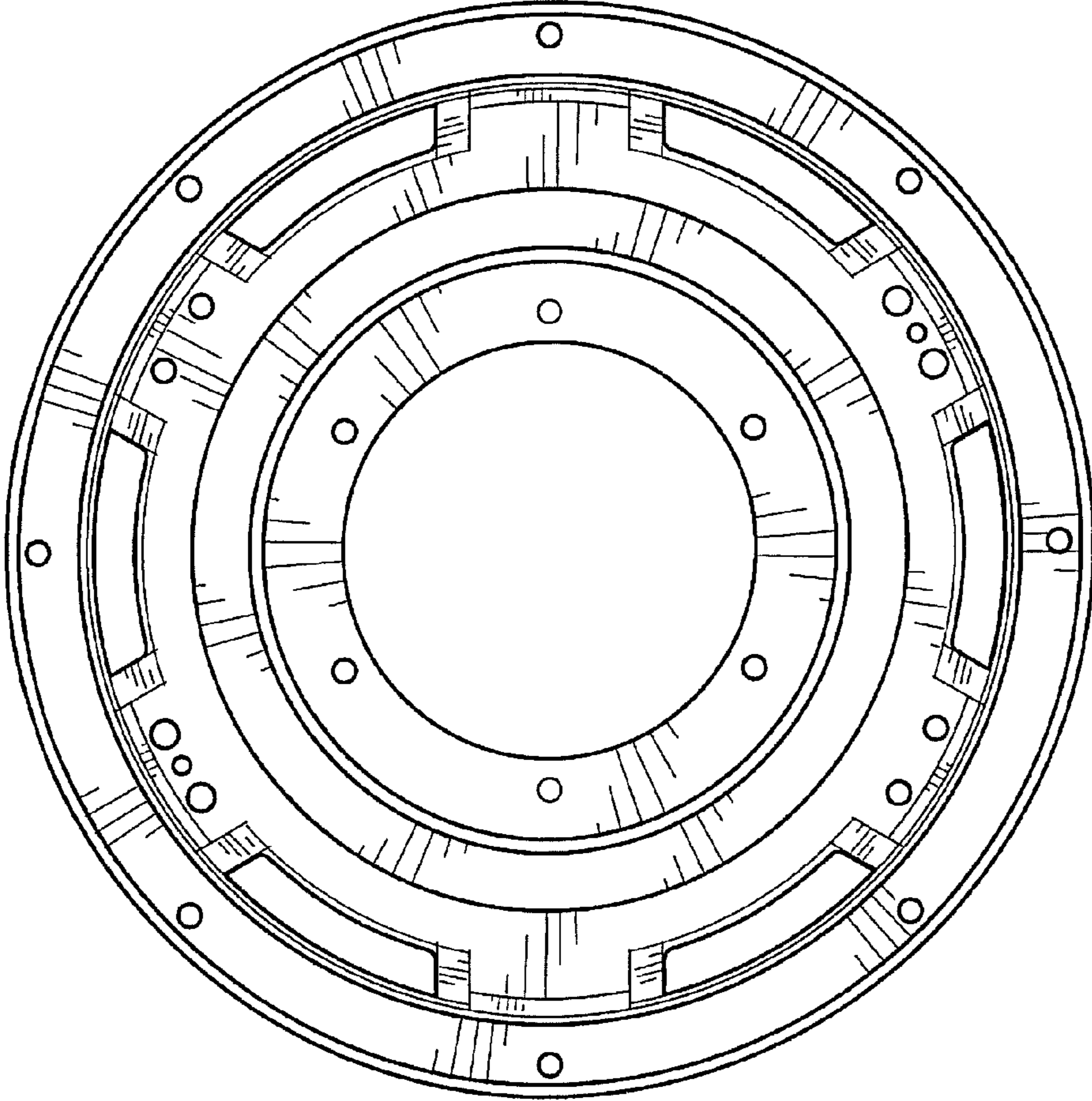


Fig. 2



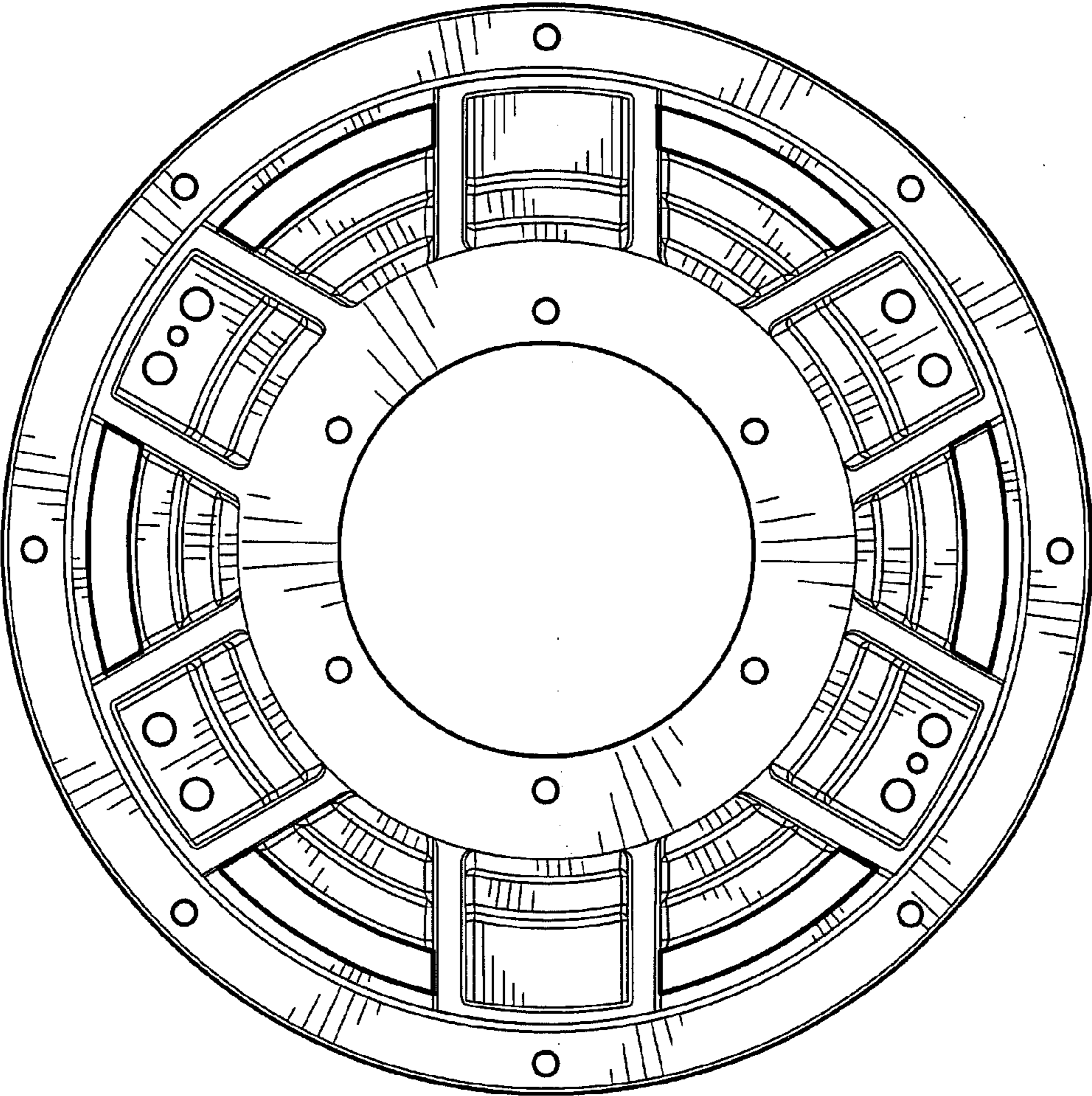


Fig. 3

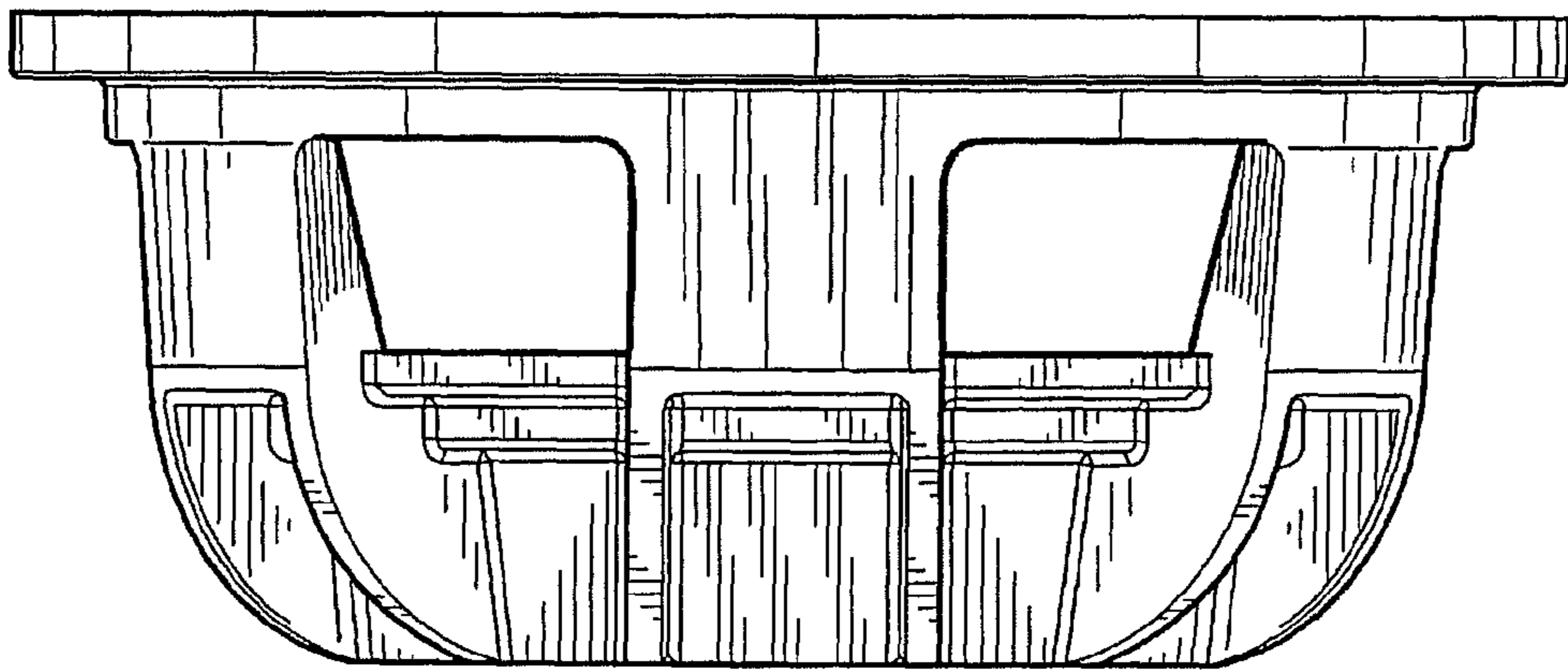


Fig. 4