



US00D691595S

(12) **United States Design Patent**  
**Fuller**

(10) **Patent No.:** **US D691,595 S**

(45) **Date of Patent:** **\*\* Oct. 15, 2013**

(54) **AUDIO SPEAKER FRAME**

(75) Inventor: **Jacob Aaron Fuller**, Troutman, NC  
(US)

(73) Assignee: **Jacon Aaron Fuller**, Claremont, NC  
(US)

(\*\*) Term: **14 Years**

(21) Appl. No.: **29/419,349**

(22) Filed: **Apr. 27, 2012**

(51) **LOC (9) Cl.** ..... **14-01**

(52) **U.S. Cl.**  
USPC ..... **D14/224**

(58) **Field of Classification Search**  
USPC ..... D14/224, 219, 216, 221, 222; 381/392,  
381/150, 433, 412, 419, 420, 394, 405, 396,  
381/397, 400, 403; 181/166, 171, 172, 173,  
181/174

See application file for complete search history.

(56) **References Cited**

**U.S. PATENT DOCUMENTS**

1,905,702	A *	4/1933	Hardisty	381/403
1,991,526	A *	2/1935	Tichenor et al.	381/411
1,991,738	A *	2/1935	Gaubert et al.	381/420
2,532,414	A *	12/1950	Levy	381/404
2,638,509	A *	5/1953	Charlesworth	381/386
3,356,796	A *	12/1967	Wray	381/433
D239,538	S *	4/1976	Wagner	D14/216
D270,533	S *	9/1983	Piercy	D14/224
D282,065	S *	1/1986	Piercy	D14/224

D318,671	S *	7/1991	Naumann	D14/224
D393,641	S *	4/1998	Hai-Fu	D14/216
D400,884	S *	11/1998	Christie, II	D14/216
D451,087	S *	11/2001	Moro et al.	D14/221
D451,499	S *	12/2001	Stompler et al.	D14/224
D451,908	S *	12/2001	Mackie et al.	D14/224
D451,909	S *	12/2001	Mackie et al.	D14/224
D455,733	S *	4/2002	Stompler et al.	D14/224
D472,232	S *	3/2003	Stompler et al.	D14/224
D478,572	S *	8/2003	Dawson	D14/219
D483,743	S *	12/2003	Vosse	D14/224
6,738,490	B2 *	5/2004	Brandt	381/421
7,164,777	B1	1/2007	Stompler	
7,218,748	B1	5/2007	Stompler	
D544,857	S *	6/2007	Milne	D14/224
8,175,321	B2 *	5/2012	Bryant et al.	381/423

\* cited by examiner

*Primary Examiner* — Paula Greene

(74) *Attorney, Agent, or Firm* — Cements Bernard PLLC;  
Seth L. Hudson

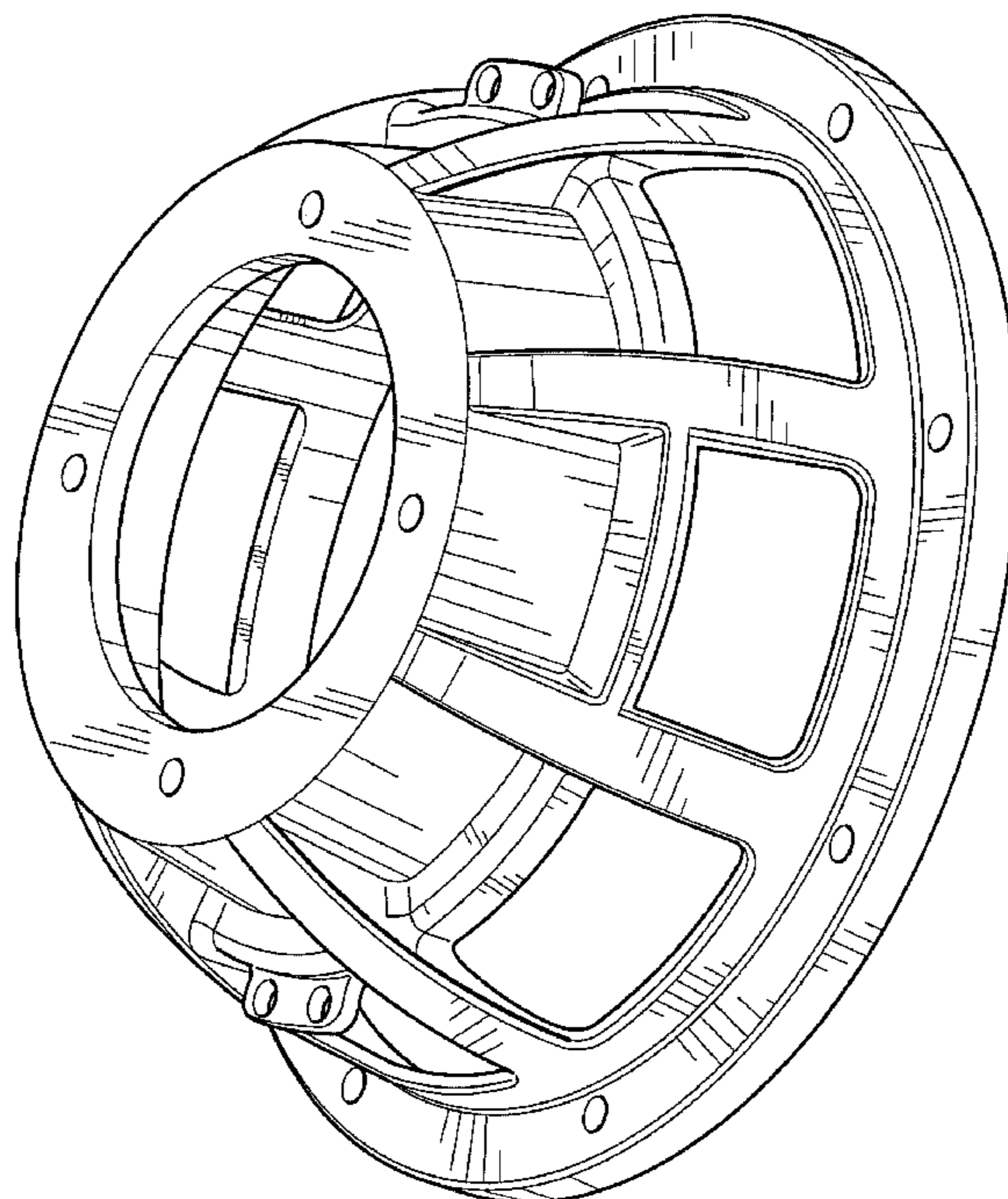
(57) **CLAIM**

The ornamental design for an audio speaker frame, as shown and described.

**DESCRIPTION**

FIG. 1 is a perspective view of an audio speaker frame showing my new design;  
FIG. 2 is another perspective view thereof;  
FIG. 3 is a back view thereof;  
FIG. 4 is a side view thereof; and,  
FIG. 5 is a front view thereof.

**1 Claim, 5 Drawing Sheets**



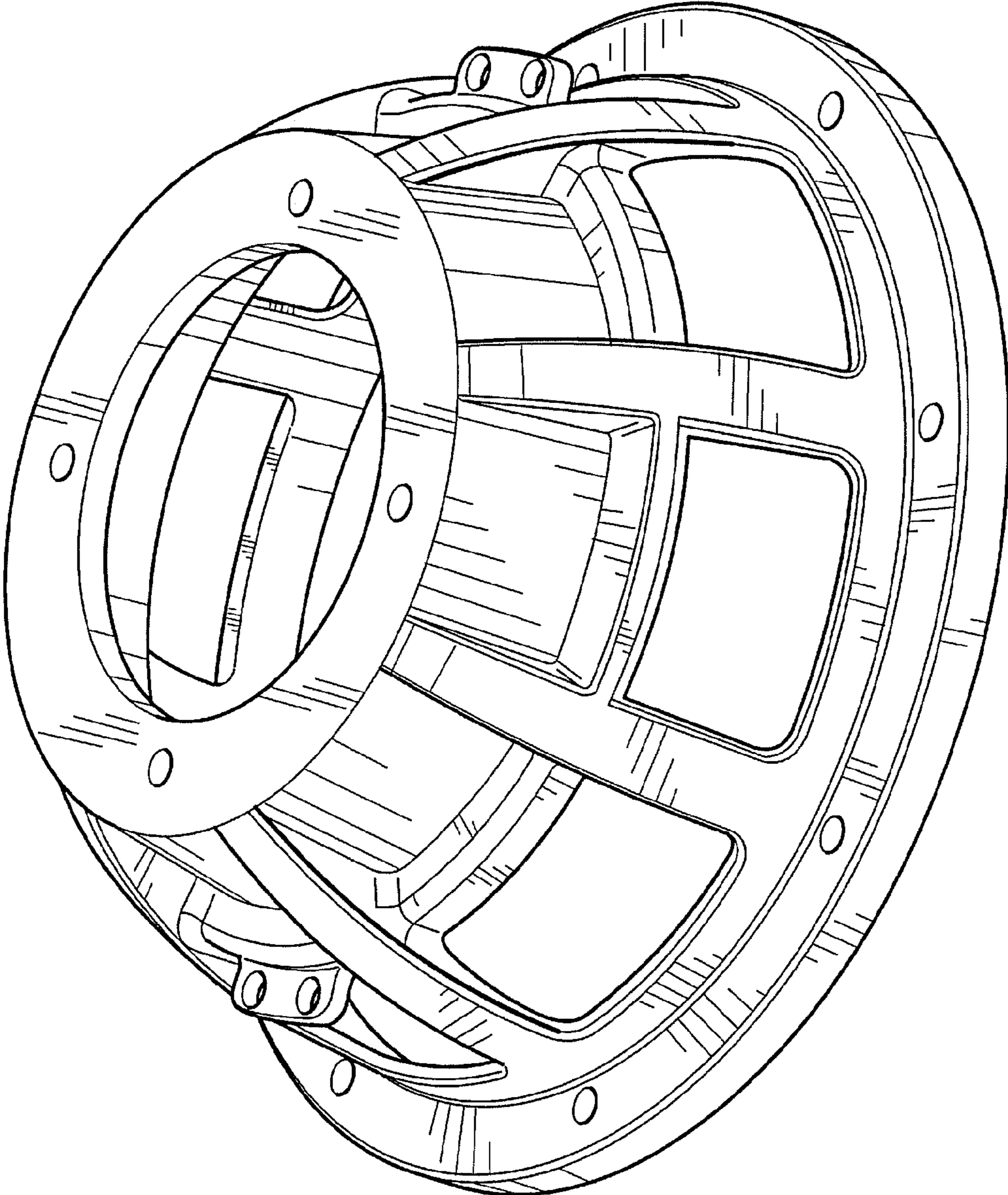


Fig. 1

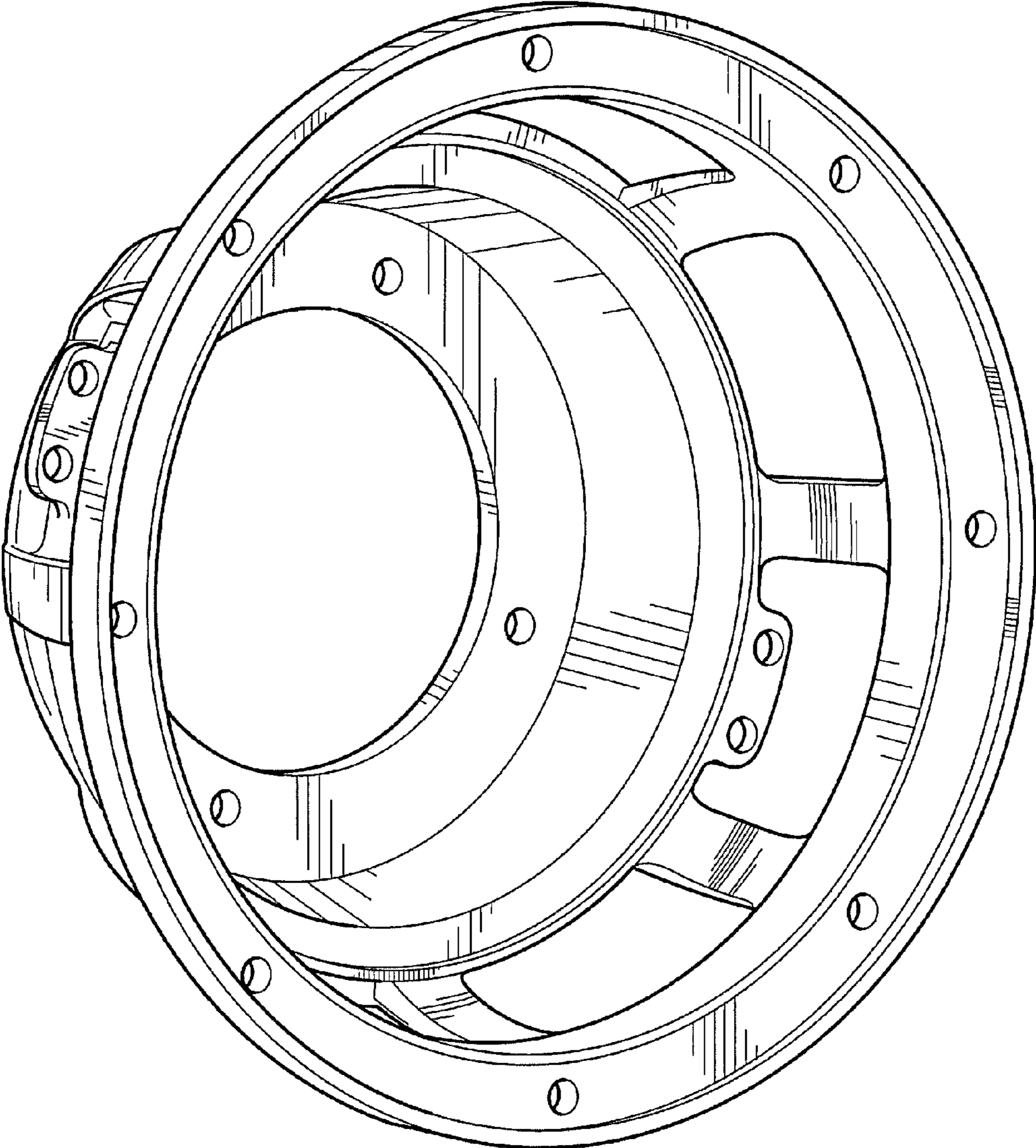


Fig. 2

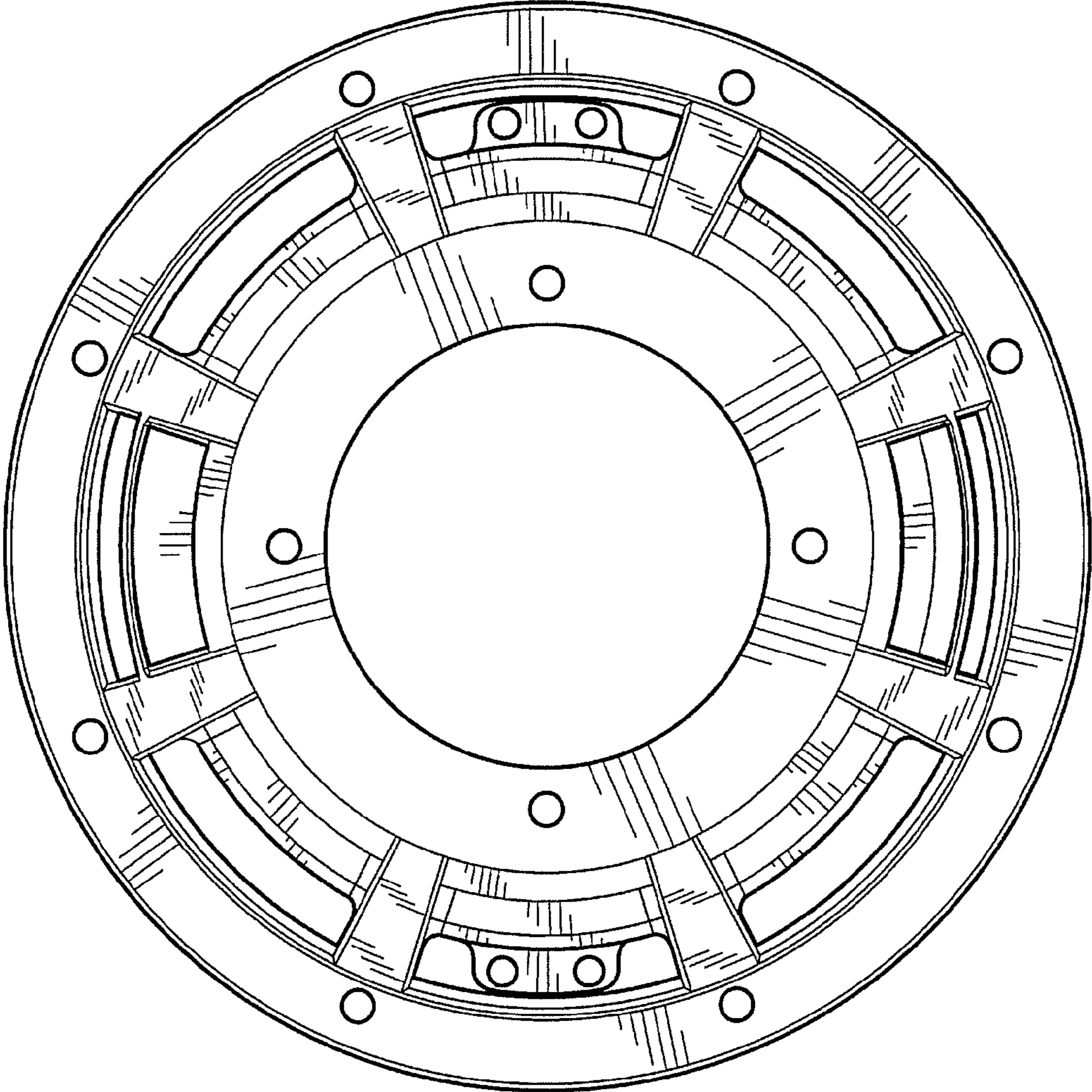


Fig. 3

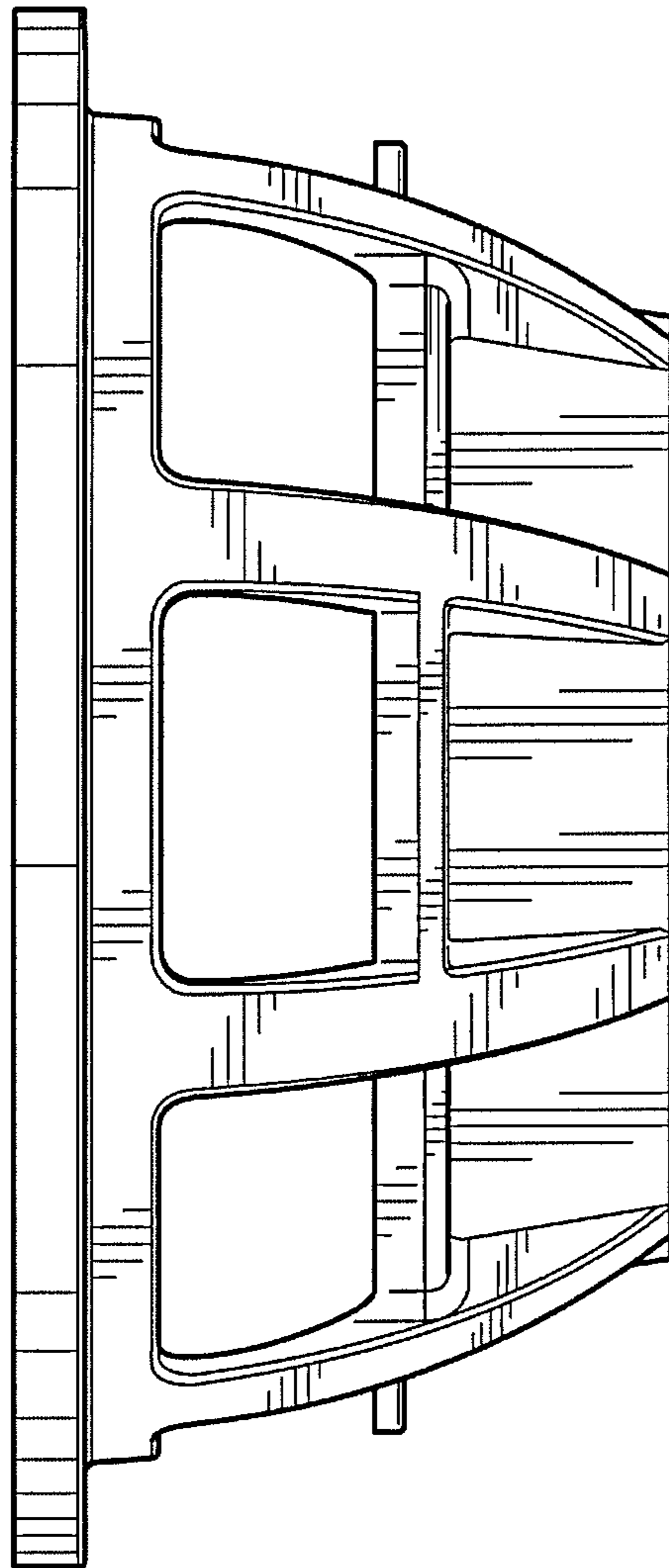


Fig. 4

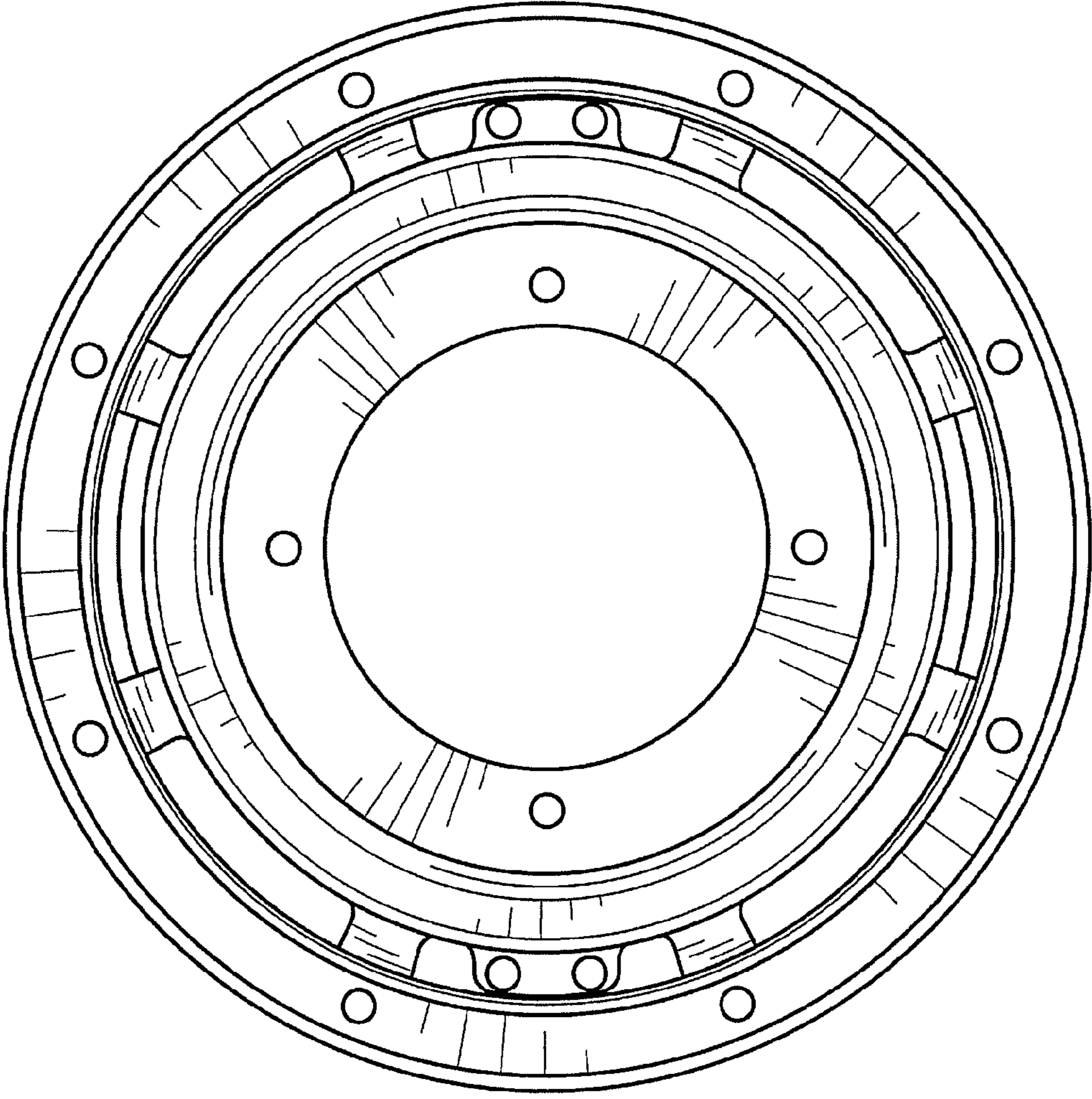


Fig. 5