



US00D691593S

(12) **United States Design Patent**
Lee et al.

(10) **Patent No.:** **US D691,593 S**
(45) **Date of Patent:** **** Oct. 15, 2013**

(54) **HEADPHONE**

(75) Inventors: **Noel Lee**, Las Vegas, NV (US); **Jacky Hsiung**, San Jose, CA (US); **Hoi Yee Li**, Tsuen Wan (HK)

(73) Assignee: **Monster, LLC**, Las Vegas, NV (US)

(**) Term: **14 Years**

(21) Appl. No.: **29/430,099**

(22) Filed: **Aug. 21, 2012**

(51) **LOC (9) Cl.** **14-01**

(52) **U.S. Cl.**
USPC **D14/223**

(58) **Field of Classification Search**
USPC D14/223; 181/129, 130, 135; 379/430, 379/431; 381/380, 381, 371, 372, 374, 378, 381/379; 455/90.3, 575.1; D11/89, 90
See application file for complete search history.

(56) **References Cited**

U.S. PATENT DOCUMENTS

5,420,933	A	*	5/1995	Zampini et al.	381/119
D475,289	S	*	6/2003	Cooper	D9/434
D511,768	S	*	11/2005	Naito et al.	D14/223
D522,399	S	*	6/2006	Livnat	D11/90
D598,901	S	*	8/2009	Lee et al.	D14/223
D627,337	S	*	11/2010	Wu et al.	D14/223

D641,010	S	*	7/2011	Kwon	D14/223
D652,821	S		1/2012	Lee		
D659,672	S	*	5/2012	Lee et al.	D14/205
D660,292	S	*	5/2012	Rautiainen	D14/223
D666,580	S	*	9/2012	Lee et al.	D14/223
D666,581	S	*	9/2012	Perez	D14/223
D671,859	S	*	12/2012	Gersh	D11/89
D672,744	S	*	12/2012	Scarpa	D14/205

* cited by examiner

Primary Examiner — Paula Greene

(74) *Attorney, Agent, or Firm* — LaRiviere, Grubman & Payne, LLP

(57) **CLAIM**

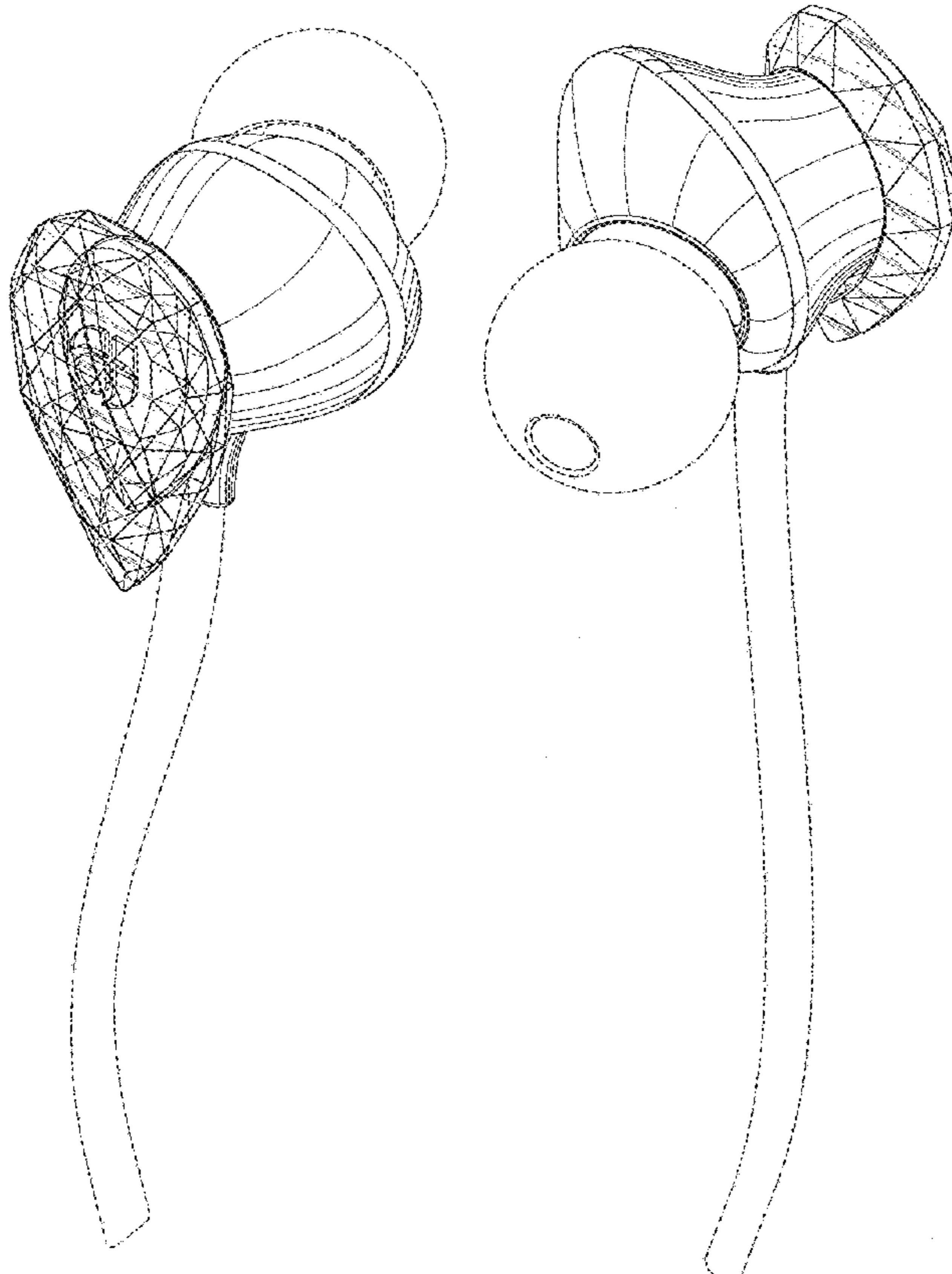
The ornamental design for a headphone, as shown and described.

DESCRIPTION

FIG. 1 is a perspective view of a headphone, showing our design;
FIG. 2 is a rear perspective view thereof;
FIG. 3 is a front view thereof;
FIG. 4 is a rear view thereof;
FIG. 5 is a side view thereof;
FIG. 6 is an opposing side view thereof;
FIG. 7 is a top view thereof; and,
FIG. 8 is a bottom view thereof.

The broken lines showing the environment are for illustrative purposes only and form no part of the claimed design.

1 Claim, 4 Drawing Sheets



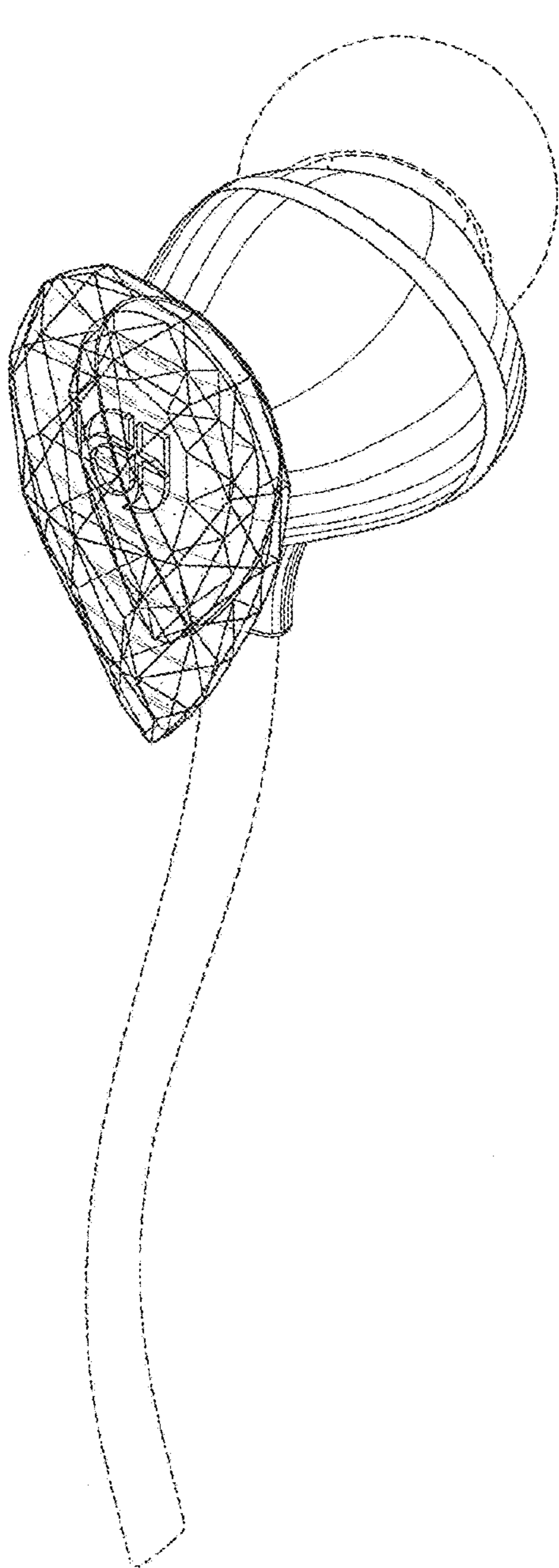


Figure 1

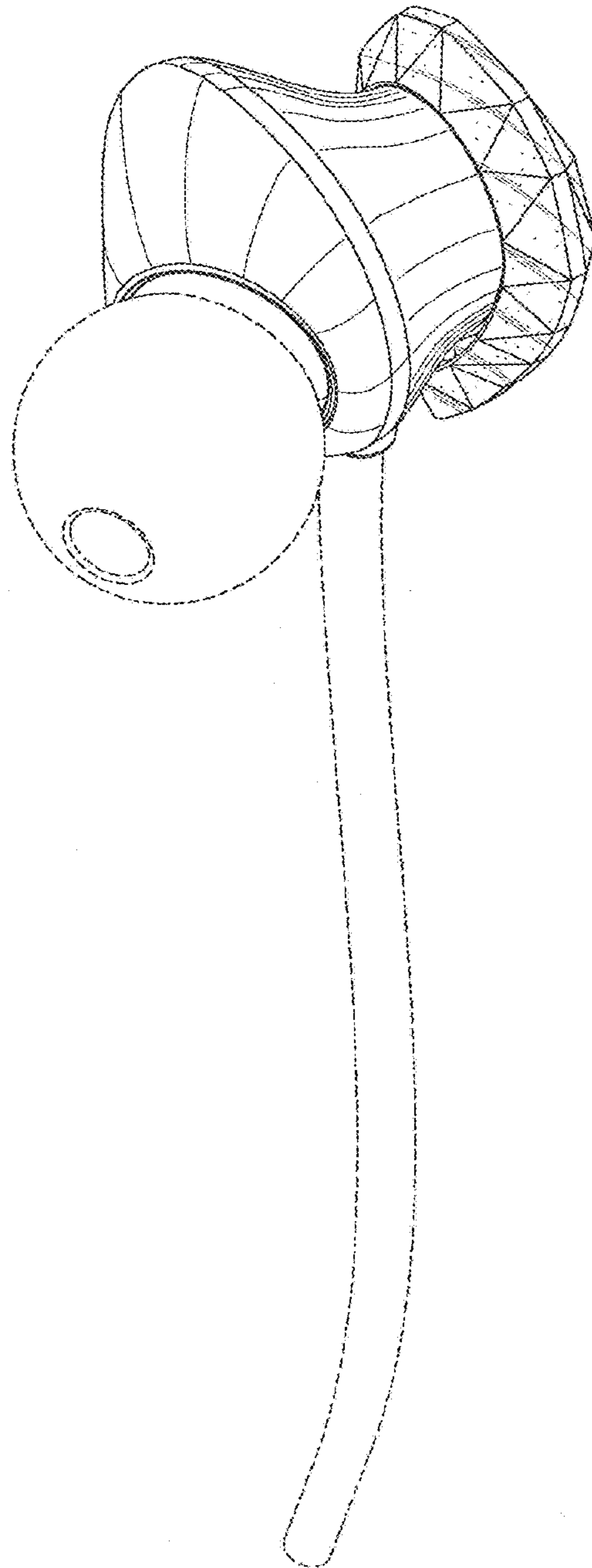


Figure 2

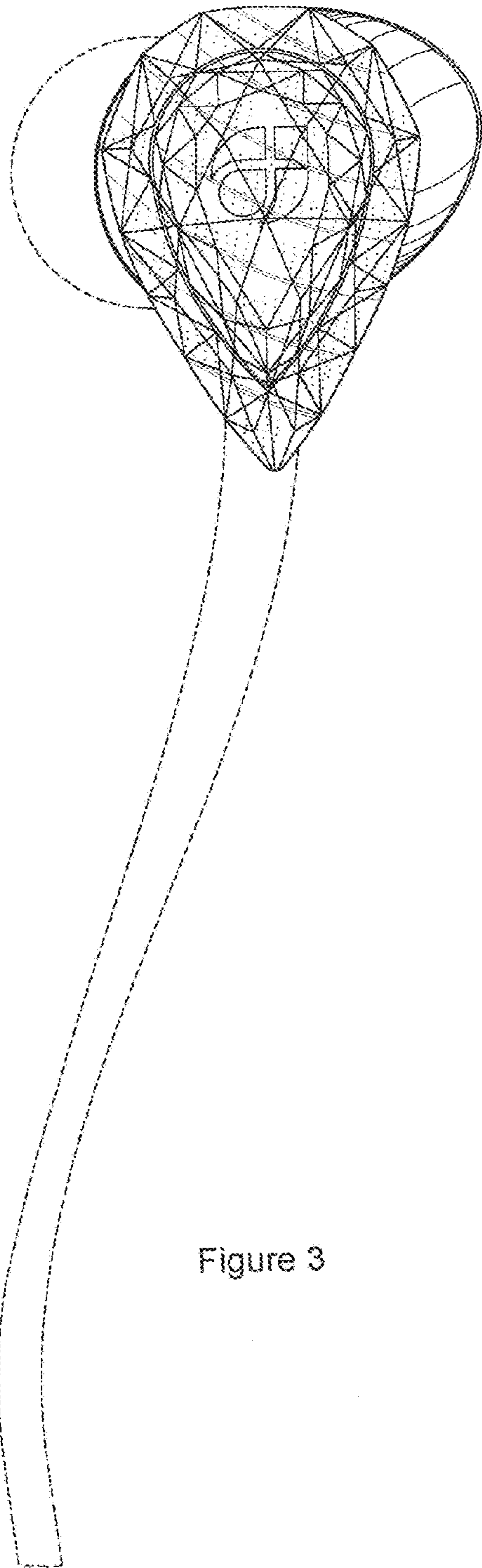


Figure 3

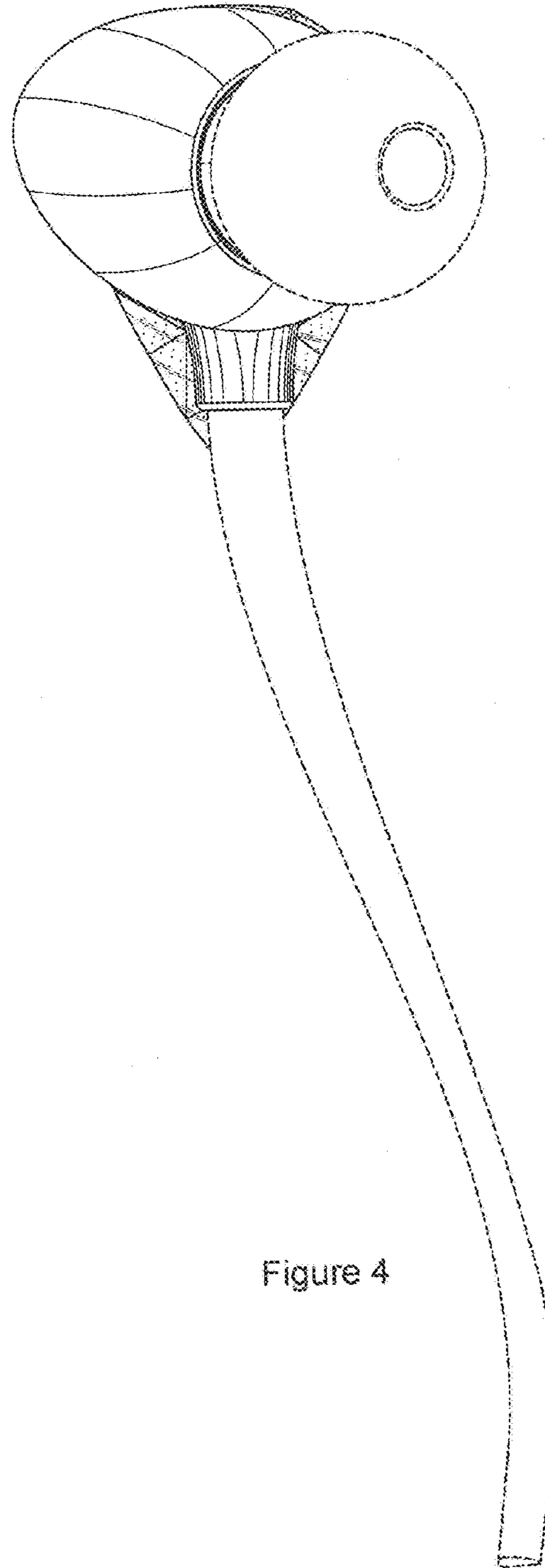


Figure 4

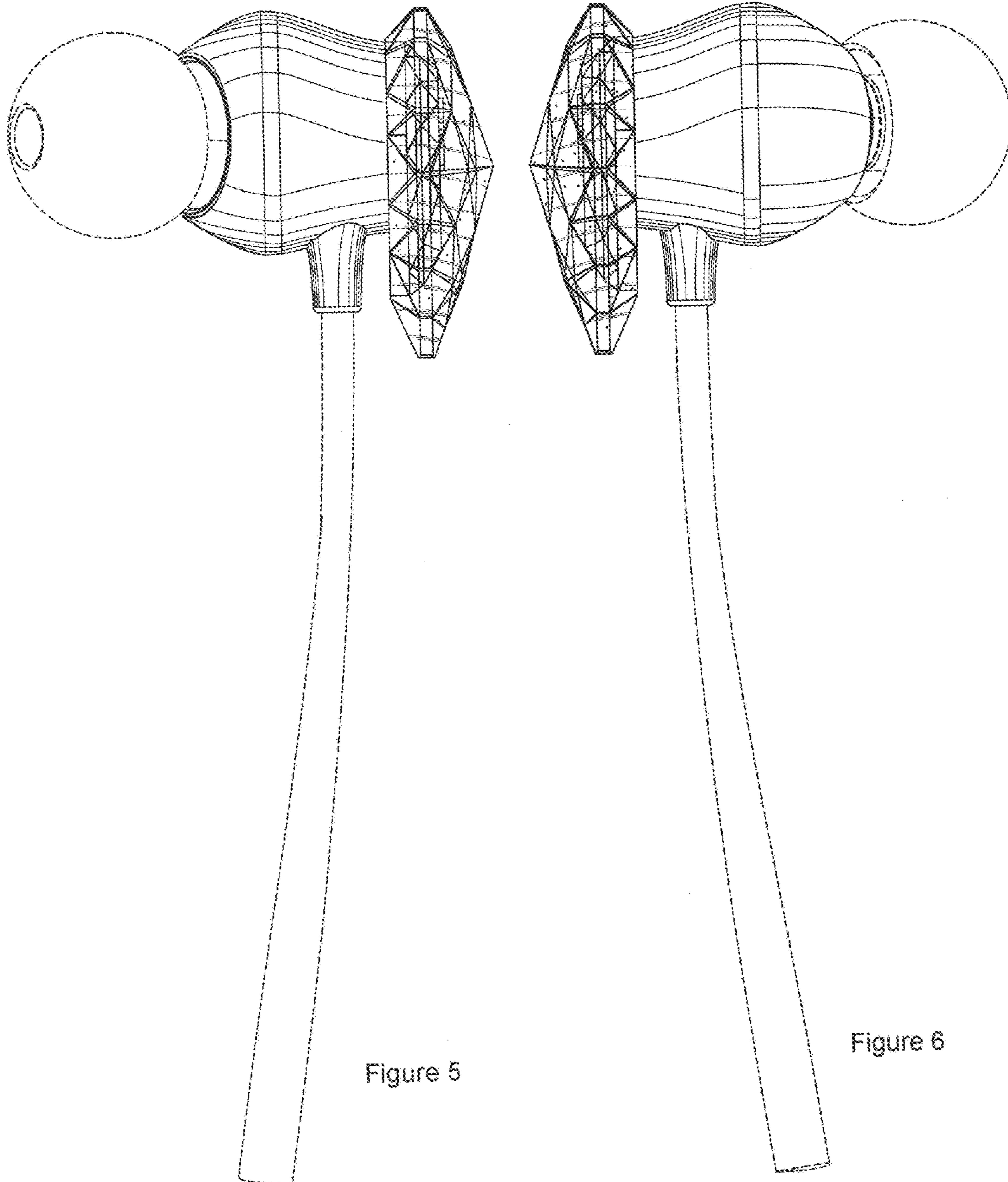


Figure 5

Figure 6

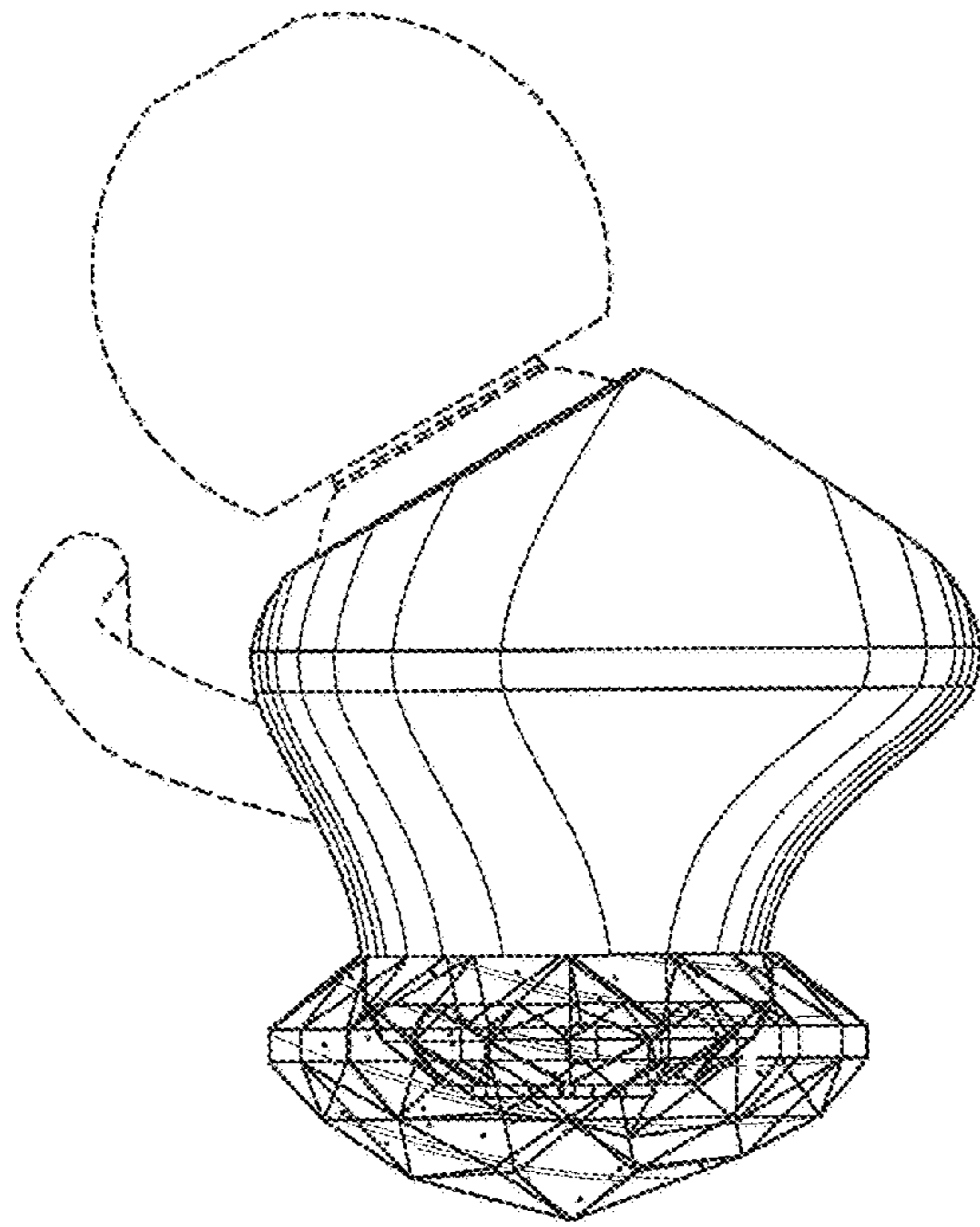


Figure 7

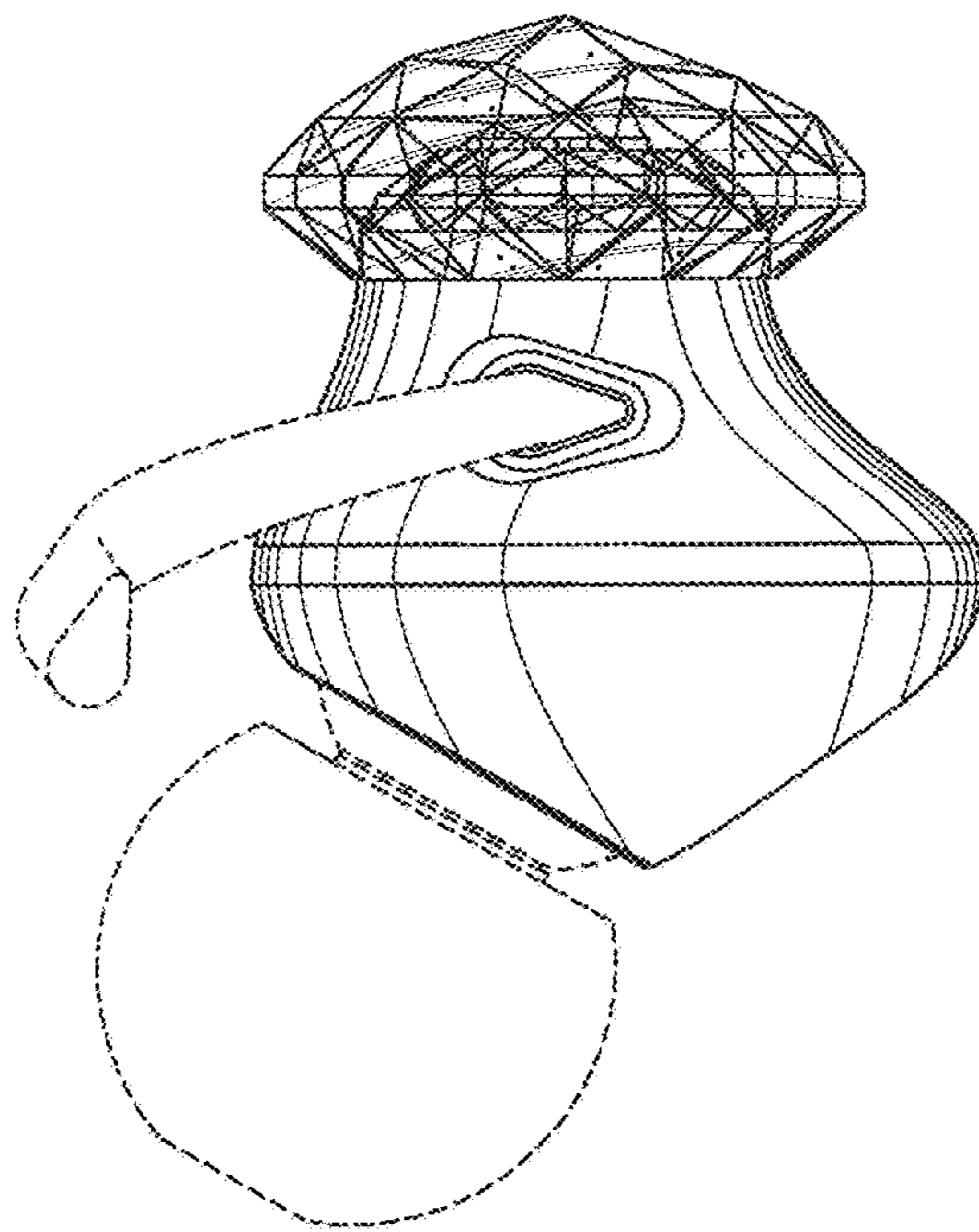


Figure 8