



US00D691592S

(12) **United States Design Patent**
Lum et al.

(10) **Patent No.:** **US D691,592 S**
(45) **Date of Patent:** **** Oct. 15, 2013**

(54) **LOUDSPEAKER**

(75) Inventors: **Myk Wayne Lum**, Irvine, CA (US);
Derrick Rodgers, Altadena, CA (US)

(73) Assignee: **Harman International Industries,**
Incorporated, Northridge, CA (US)

(**) Term: **14 Years**

(21) Appl. No.: **29/415,844**

(22) Filed: **Mar. 14, 2012**

(51) **LOC (9) Cl.** **14-03**

(52) **U.S. Cl.**
USPC **D14/221**; D14/204

(58) **Field of Classification Search**
USPC D14/168, 172, 194–196, 204, 207,
D14/209.1, 210–216, 221, 222; 181/143,
181/144, 147, 148, 150, 153, 157, 198,
181/199; 381/300–303, 306, 332, 333, 336,
381/345, 361–364, 386–388

See application file for complete search history.

(56) **References Cited**

U.S. PATENT DOCUMENTS

| | | | | | | |
|----------|---|---|--------|----------------|-------|---------|
| D303,620 | S | * | 9/1989 | Russell et al. | | D8/313 |
| D419,095 | S | * | 1/2000 | Holmes | | D10/108 |
| D574,364 | S | * | 8/2008 | Anthony et al. | | D14/217 |
| D575,271 | S | * | 8/2008 | Baird et al. | | D14/214 |
| D591,724 | S | * | 5/2009 | Davies et al. | | D14/214 |
| D638,400 | S | * | 5/2011 | Hawkins et al. | | D14/214 |

* cited by examiner

Primary Examiner — Keli L Hill

(74) *Attorney, Agent, or Firm* — Plumsea Law Group, LLC

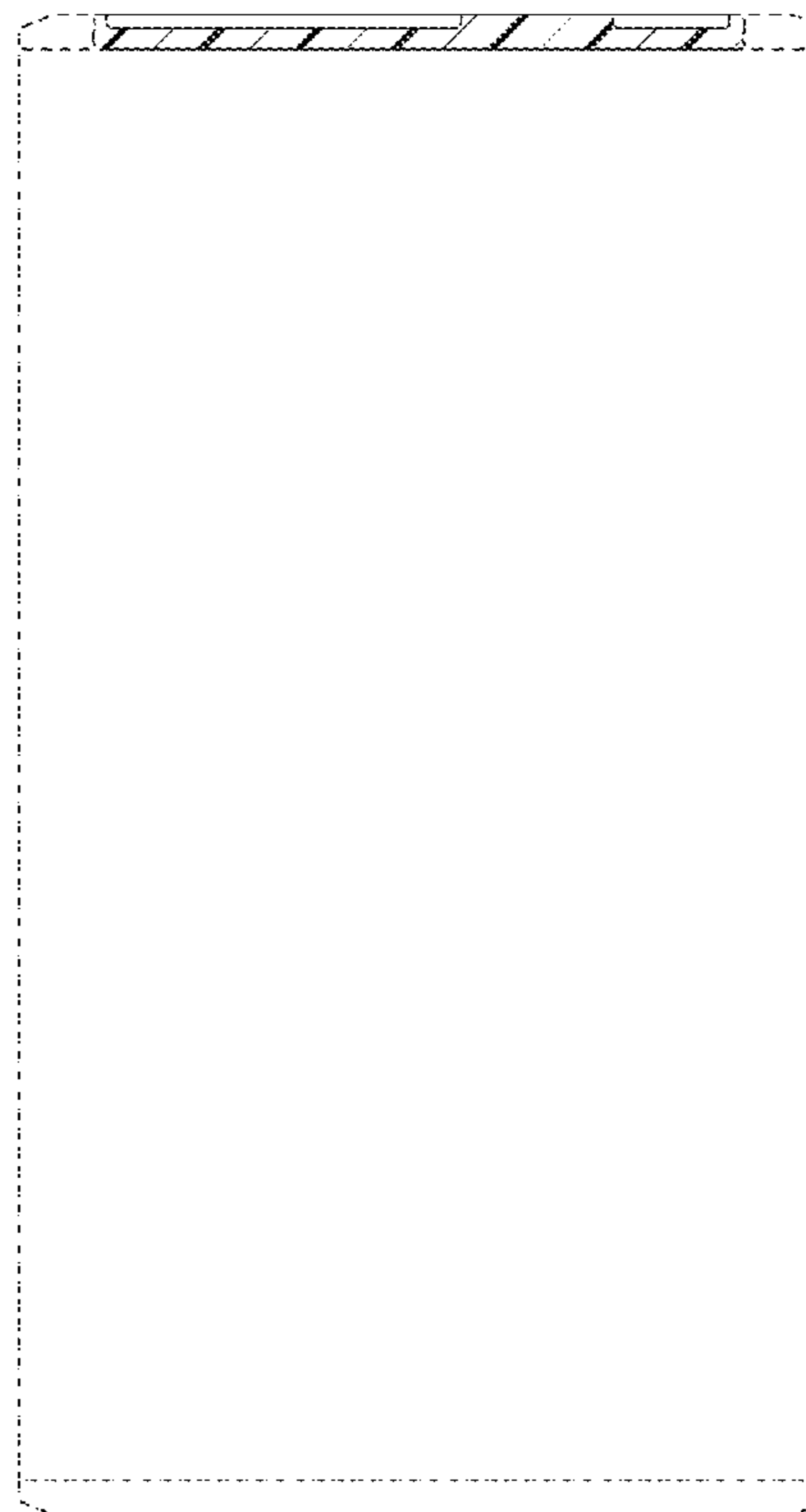
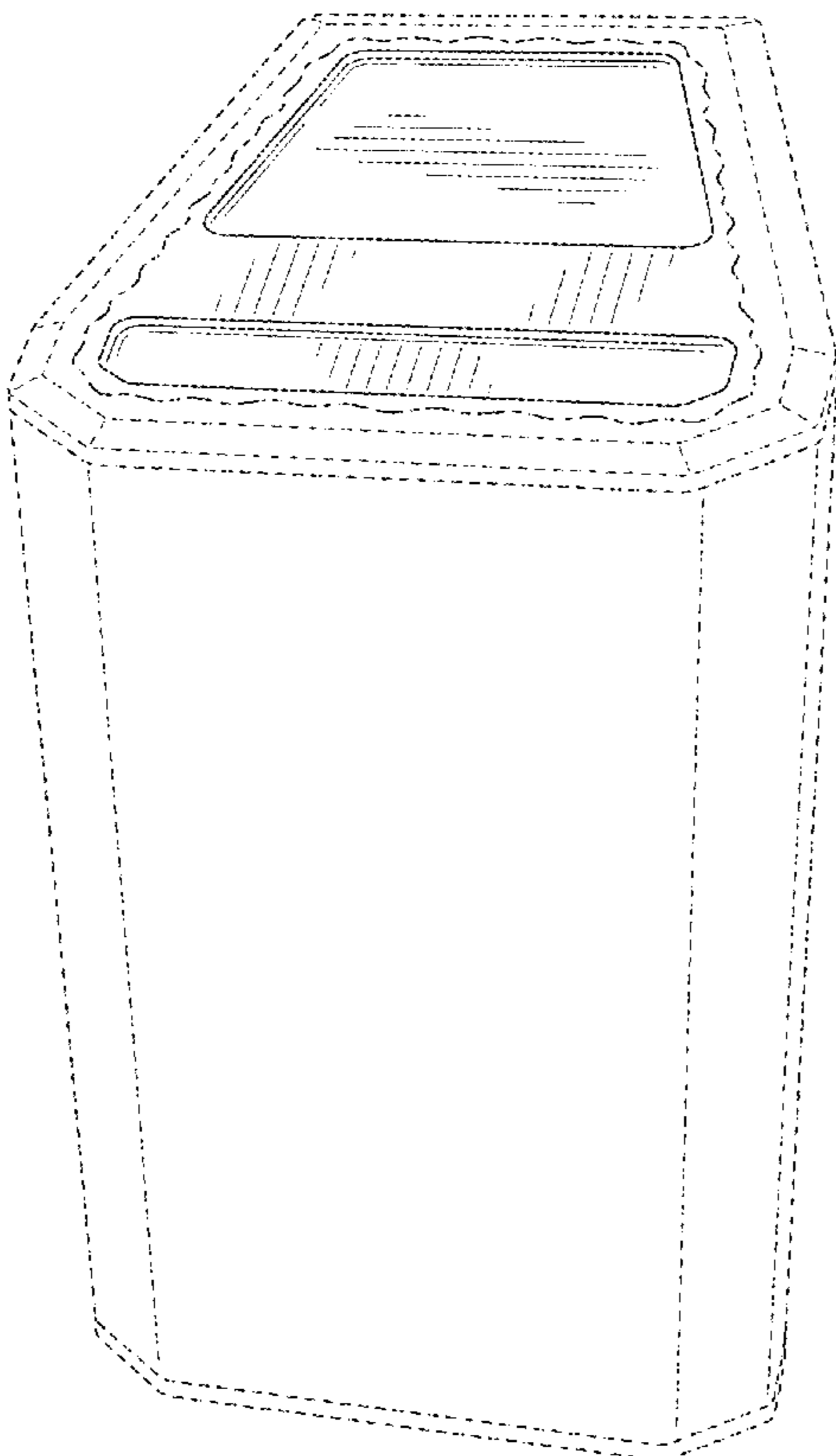
(57) **CLAIM**

The ornamental design for a loudspeaker, as shown and described.

DESCRIPTION

FIG. 1 is a perspective view showing a loudspeaker of our new design; FIG. 2 is a top plan view thereof; and, FIG. 3 is a cross-sectional view taken along line 3-3 of FIG. 2. The dot-dash broken lines represent the bounds of the claimed design while all other broken lines are included for the purpose of illustrating the unclaimed portions of the loudspeaker; the broken lines form no part of the claimed design.

1 Claim, 3 Drawing Sheets



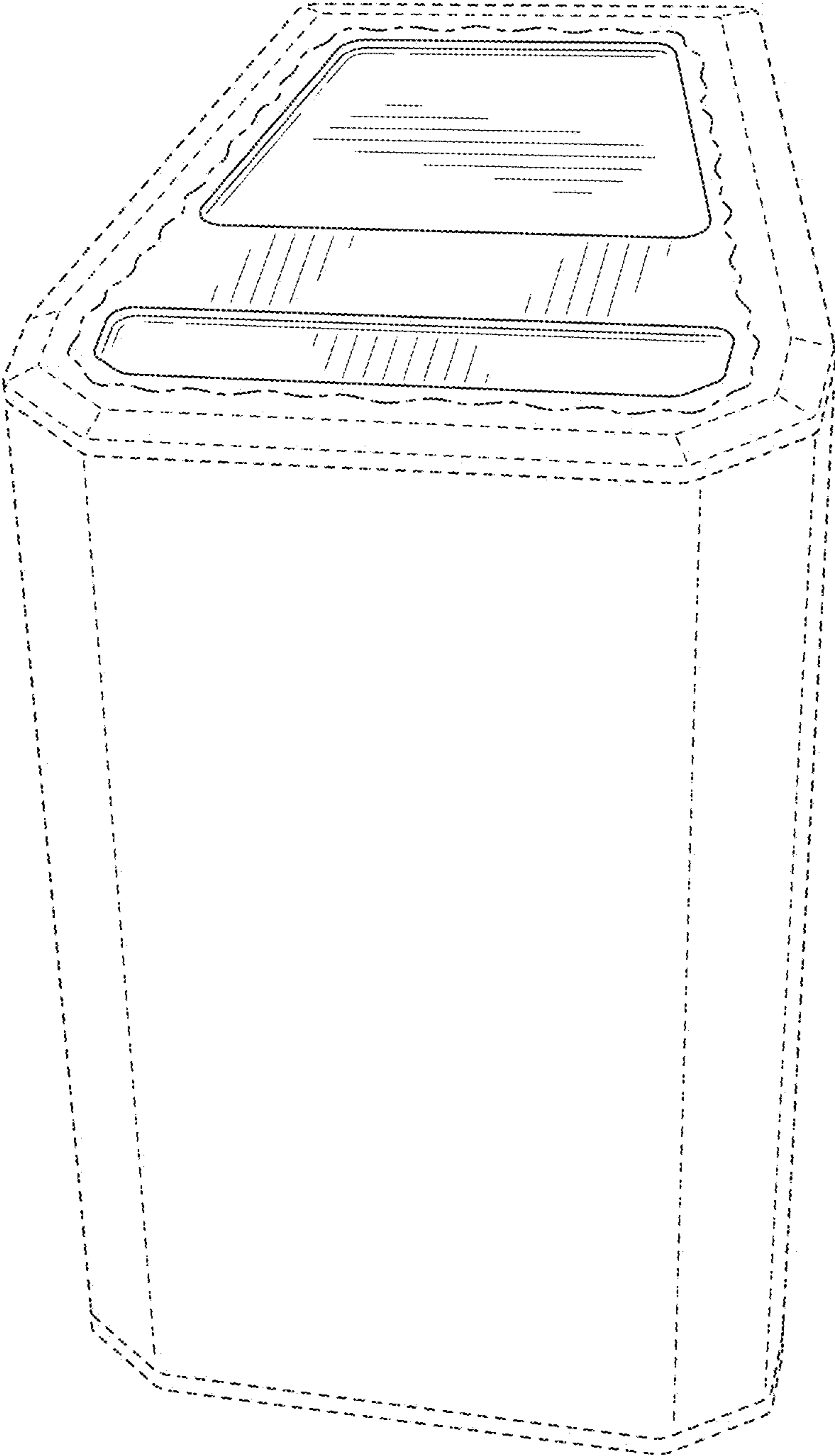


FIG. 1

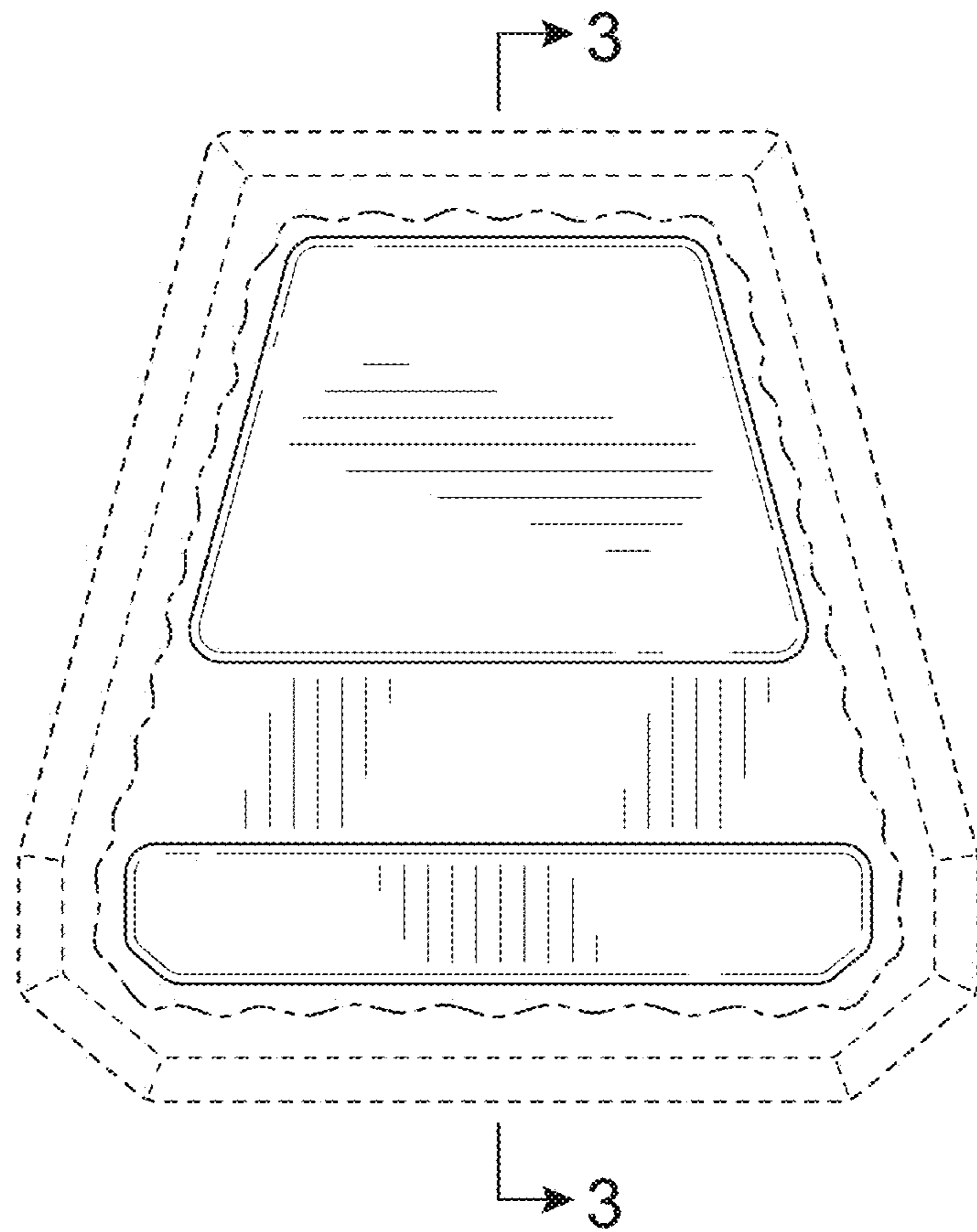


FIG. 2

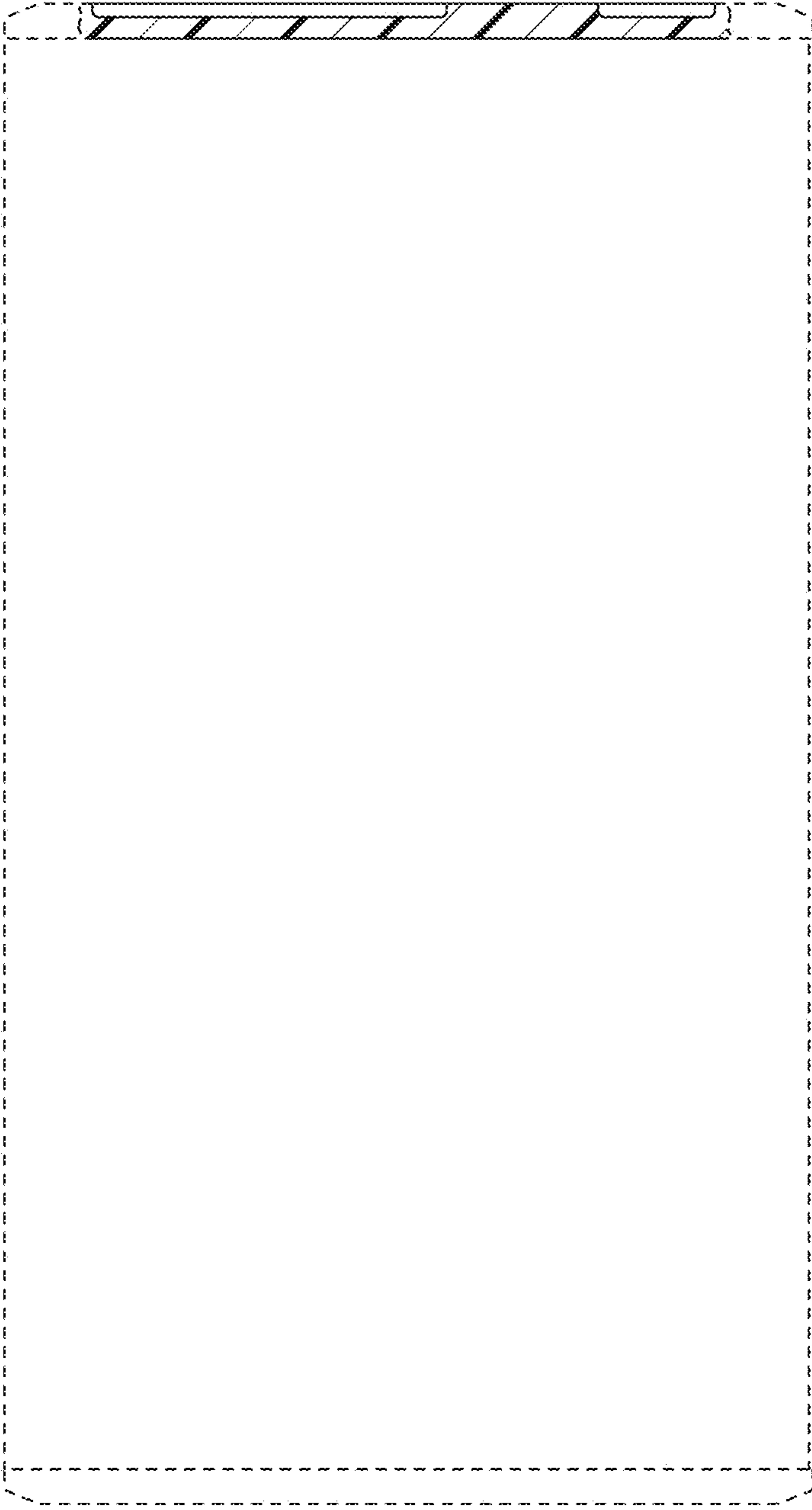


FIG. 3