



US00D691590S

(12) **United States Design Patent**  
**Ishinabe**

(10) **Patent No.:** **US D691,590 S**

(45) **Date of Patent:** **\*\* \*Oct. 15, 2013**

(54) **IN-VEHICLE SPEAKER GRILL**

(75) Inventor: **Hidetaka Ishinabe**, Saitama (JP)

(73) Assignee: **Clarion Co., Ltd.**, Saitama-Shi (JP)

(\*) Notice: This patent is subject to a terminal disclaimer.

(\*\*) Term: **14 Years**

(21) Appl. No.: **29/409,739**

(22) Filed: **Dec. 28, 2011**

(30) **Foreign Application Priority Data**

Jul. 4, 2011 (JP) ..... 2011-015255

(51) **LOC (9) Cl.** ..... **14-03**

(52) **U.S. Cl.**  
USPC ..... **D14/219**; D14/216

(58) **Field of Classification Search**  
USPC ..... D14/167, 172, 194-196, 204, 207,  
D14/209.1, 210-217, 221, 222, 219, 224-224.1;  
181/143, 144, 147, 148, 150, 153, 157, 198,  
181/199; 381/300-303, 306, 332, 333, 336,  
381/345, 361-364, 386-388, 229, 395;  
D12/114; 360/99.02; 369/75.11

See application file for complete search history.

(56) **References Cited**

U.S. PATENT DOCUMENTS

D440,559	S	*	4/2001	Ballard et al.	.....	D14/219
D565,032	S	*	3/2008	Iwamoto	.....	D14/220
D567,231	S	*	4/2008	Nakane et al.	.....	D14/224
D574,812	S	*	8/2008	Sei	.....	D14/216
D583,803	S	*	12/2008	Lum et al.	.....	D14/219
D589,943	S	*	4/2009	Yokoyama	.....	D14/221
D596,620	S	*	7/2009	Ichikawa et al.	.....	D14/216
D608,344	S	*	1/2010	Oishi et al.	.....	D14/216
D608,345	S	*	1/2010	Oishi et al.	.....	D14/216
D668,635	S	*	10/2012	Endo et al.	.....	D14/216

\* cited by examiner

*Primary Examiner* — Keli L Hill

(74) *Attorney, Agent, or Firm* — McDermott Will & Emery LLP

(57) **CLAIM**

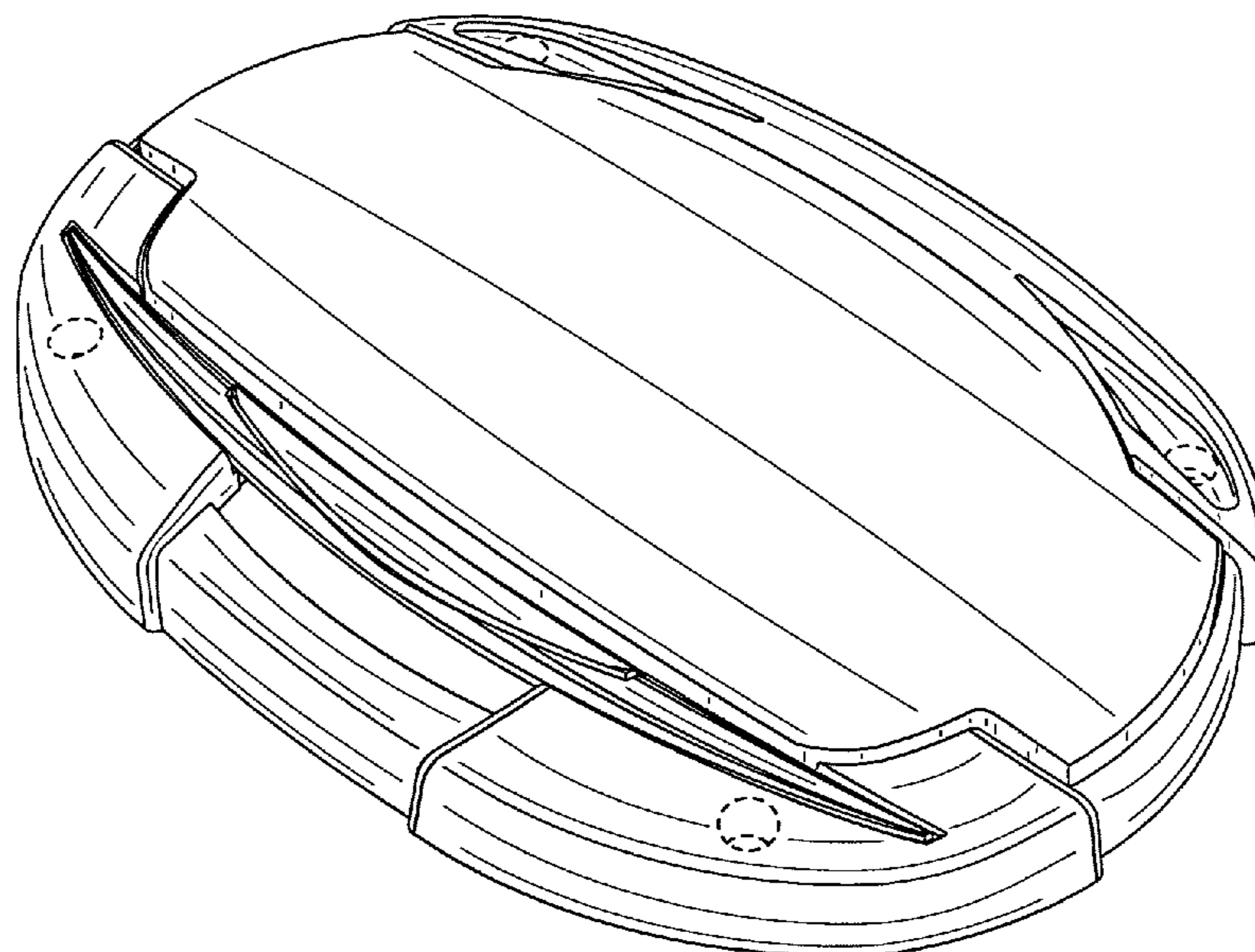
The ornamental design for an in-vehicle speaker grill, as shown.

**DESCRIPTION**

FIG. 1 is a bottom perspective view of an in-vehicle speaker grill;  
FIG. 2 is a top perspective view thereof;  
FIG. 3 is a front view thereof;  
FIG. 4 is a rear view thereof;  
FIG. 5 is a left side view thereof;  
FIG. 6 is a right side view thereof;  
FIG. 7 is a top view thereof; and,  
FIG. 8 is a bottom view thereof.

The broken lines in the drawings illustrate environmental subject matter only and form no part of the claimed design.

**1 Claim, 7 Drawing Sheets**



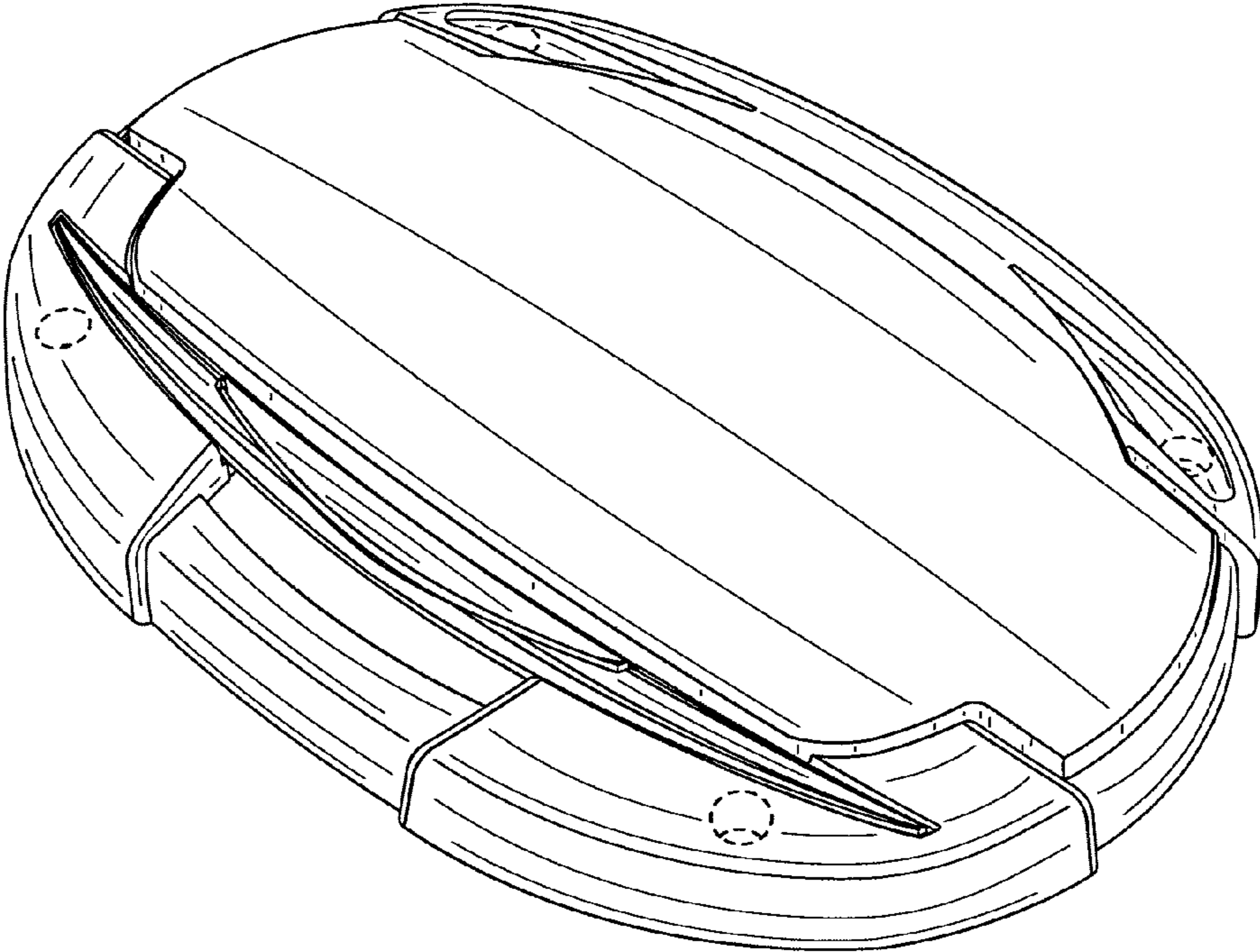


FIG. 1

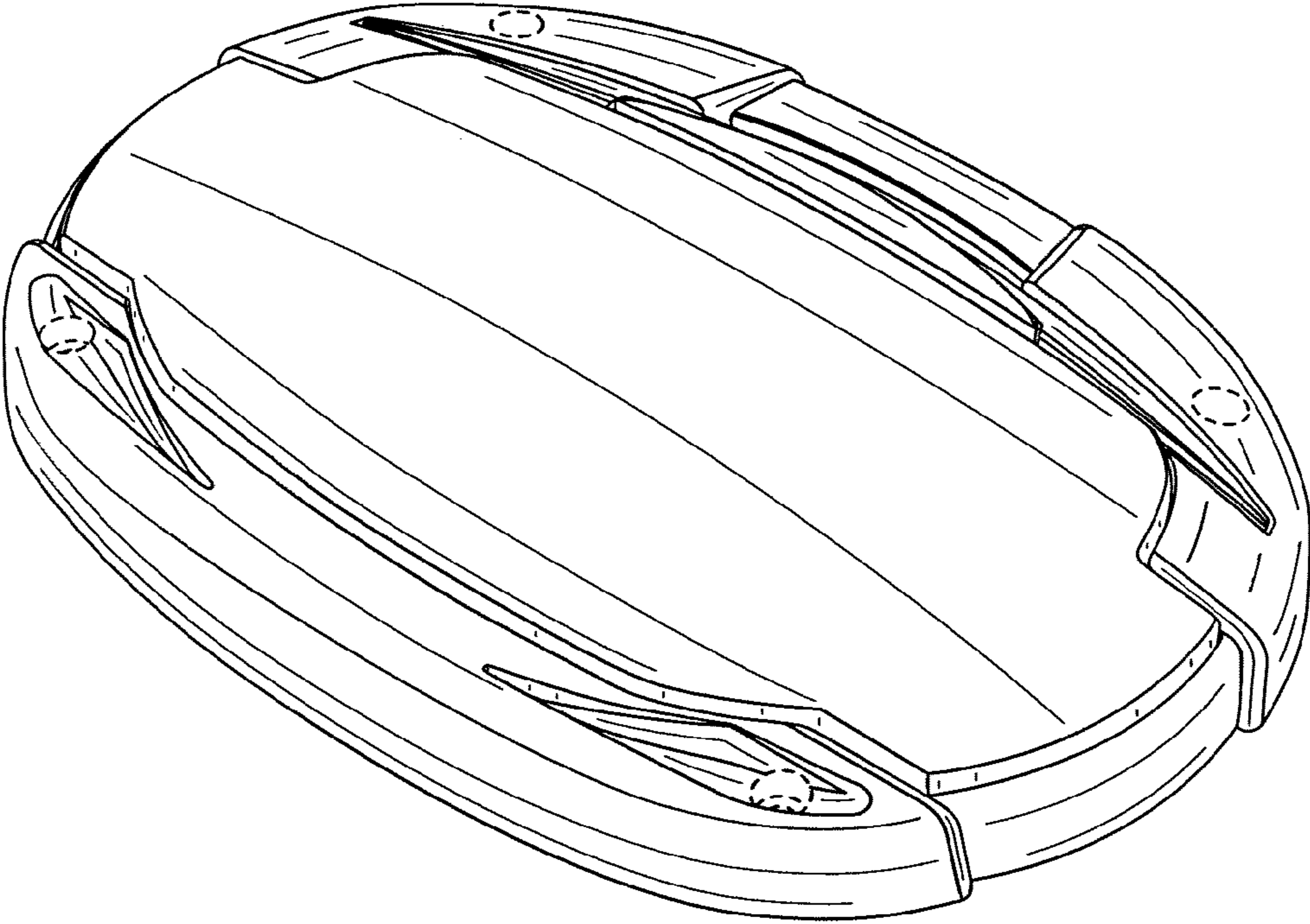


FIG. 2

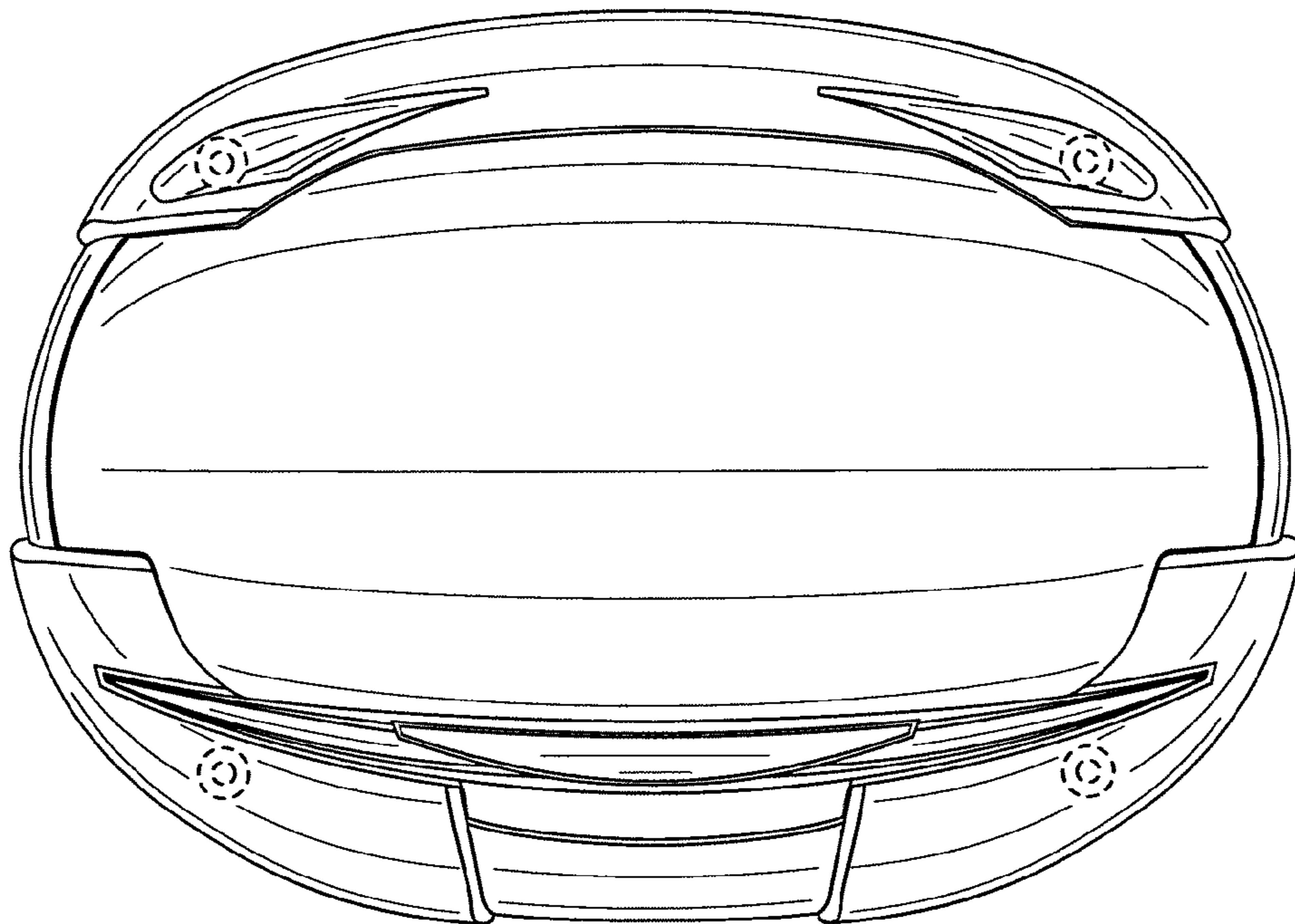


FIG. 3



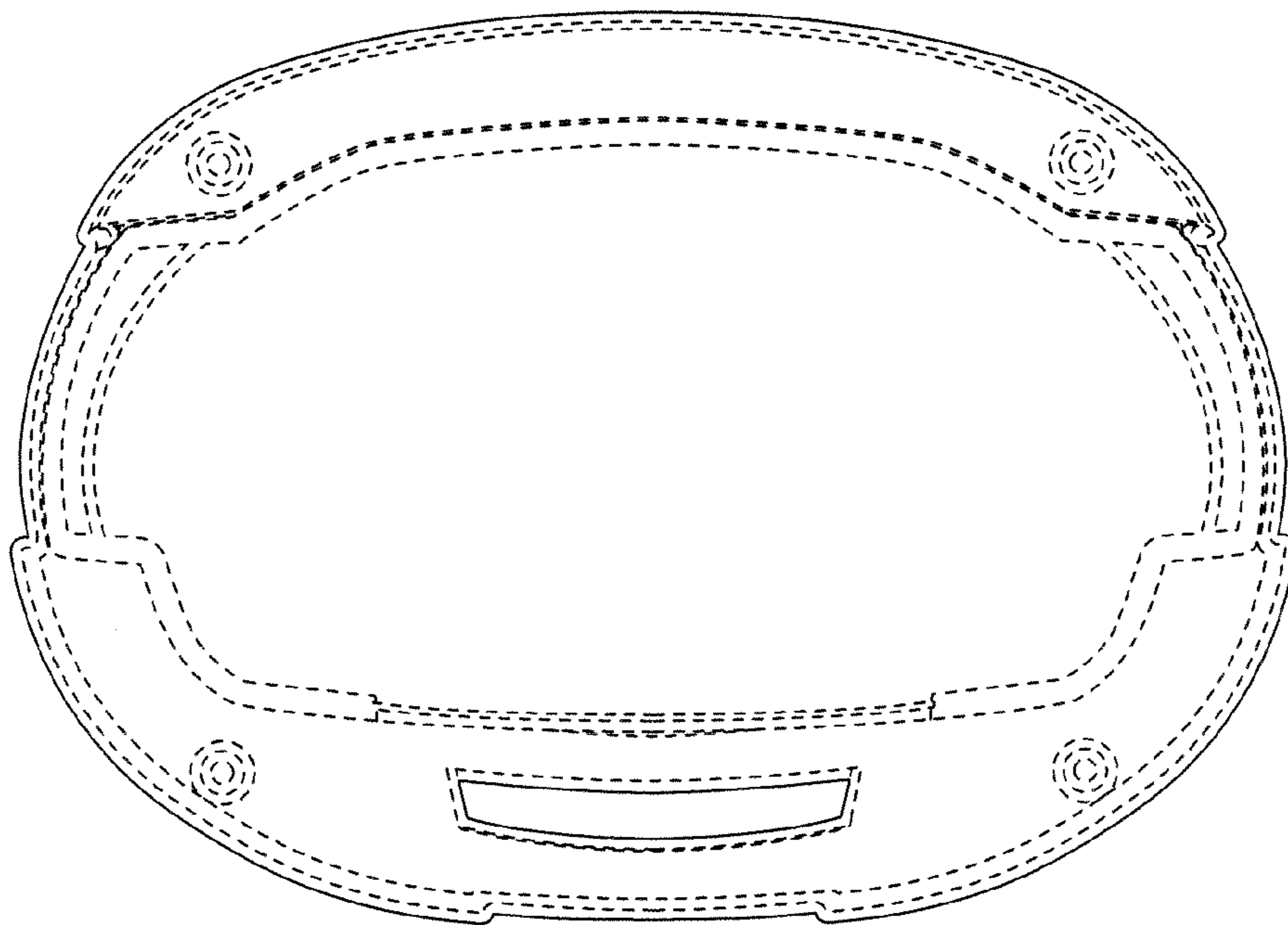


FIG. 4

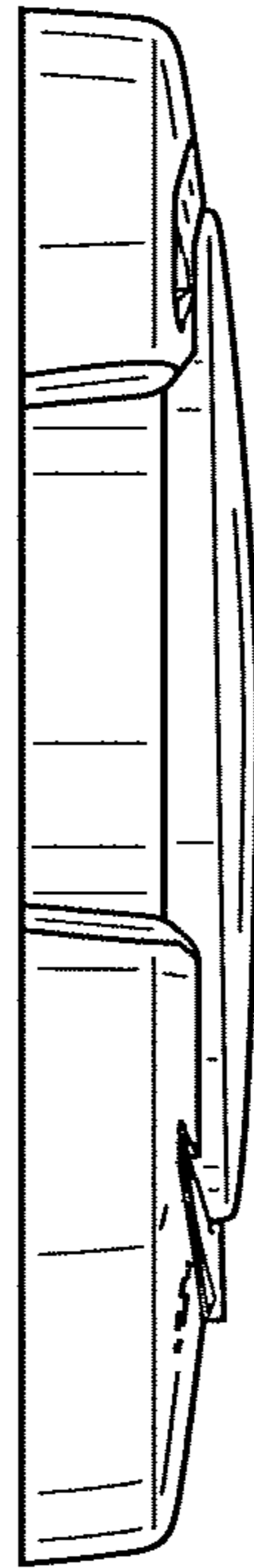


FIG. 5

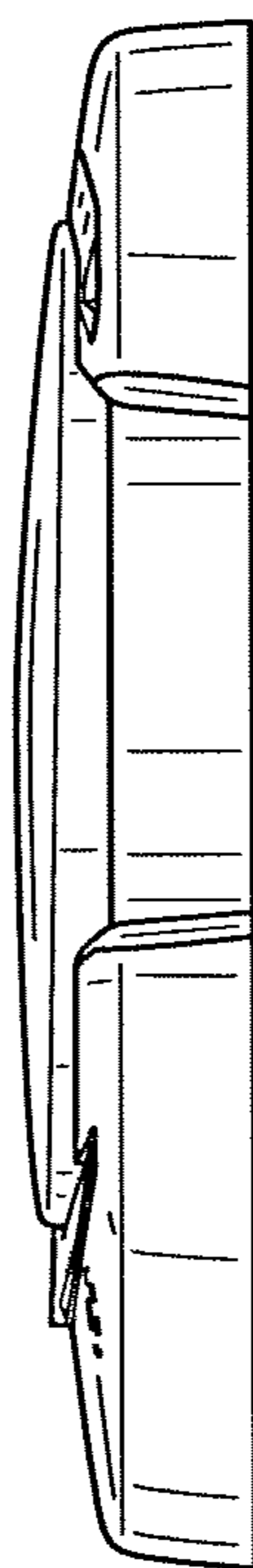


FIG. 6

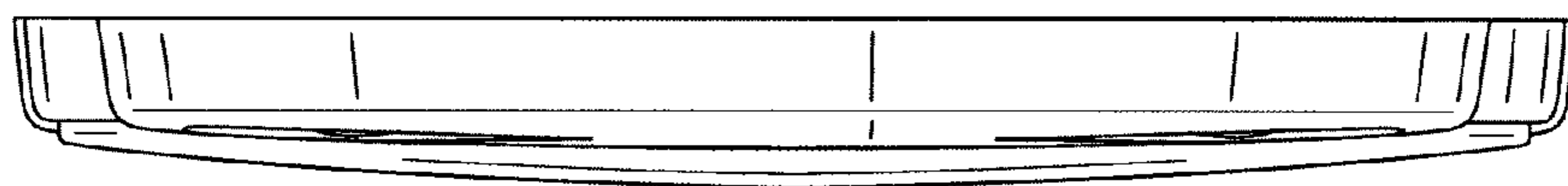


FIG. 7

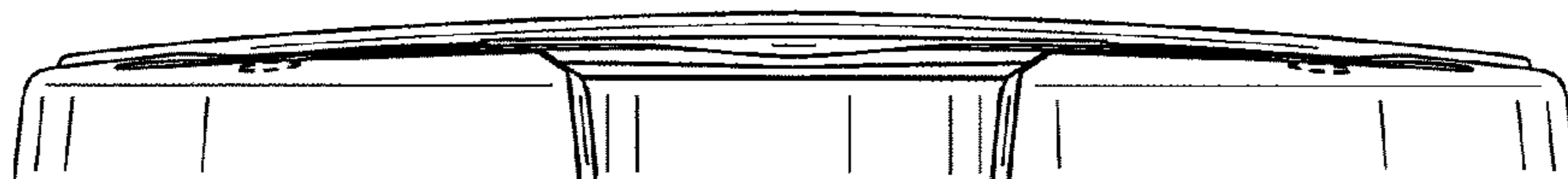


FIG. 8