

US00D691589S

(12) **United States Design Patent**
Ishinabe

(10) **Patent No.:** **US D691,589 S**
(45) **Date of Patent:** **** Oct. 15, 2013**

(54) **IN-VEHICLE SPEAKER GRILL**
(75) Inventor: **Hidetaka Ishinabe**, Saitama (JP)
(73) Assignee: **Clarion Co., Ltd.**, Saitama-Shi (JP)
(**) Term: **14 Years**

D567,231 S * 4/2008 Nakane et al. D14/224
D574,812 S * 8/2008 Sei D14/216
D583,803 S * 12/2008 Lum et al. D14/219
D589,943 S * 4/2009 Yokoyama D14/221
D596,620 S * 7/2009 Ichikawa et al. D14/216
D608,344 S * 1/2010 Oishi et al. D14/216
D608,345 S * 1/2010 Oishi et al. D14/216
D668,635 S * 10/2012 Endo et al. D14/216

(21) Appl. No.: **29/409,738**
(22) Filed: **Dec. 28, 2011**
(30) **Foreign Application Priority Data**

* cited by examiner

Primary Examiner — Keli L Hill
(74) *Attorney, Agent, or Firm* — McDermott Will & Emery LLP

Jul. 4, 2011 (JP) 2011-015256
(51) **LOC (9) Cl.** **14-03**
(52) **U.S. Cl.**
USPC **D14/219**; D14/216
(58) **Field of Classification Search**
USPC D14/167, 172, 194–196, 204, 207,
D14/209.1, 210–216, 221, 222, 217, 219,
D14/224, 224.1; 181/143, 144, 147, 148,
181/150, 153, 157, 198, 199; 381/300–303,
381/306, 332, 333, 336, 345, 361–364, 386–388,
381/229, 395; 360/99.02; 369/75.11; D12/114
See application file for complete search history.

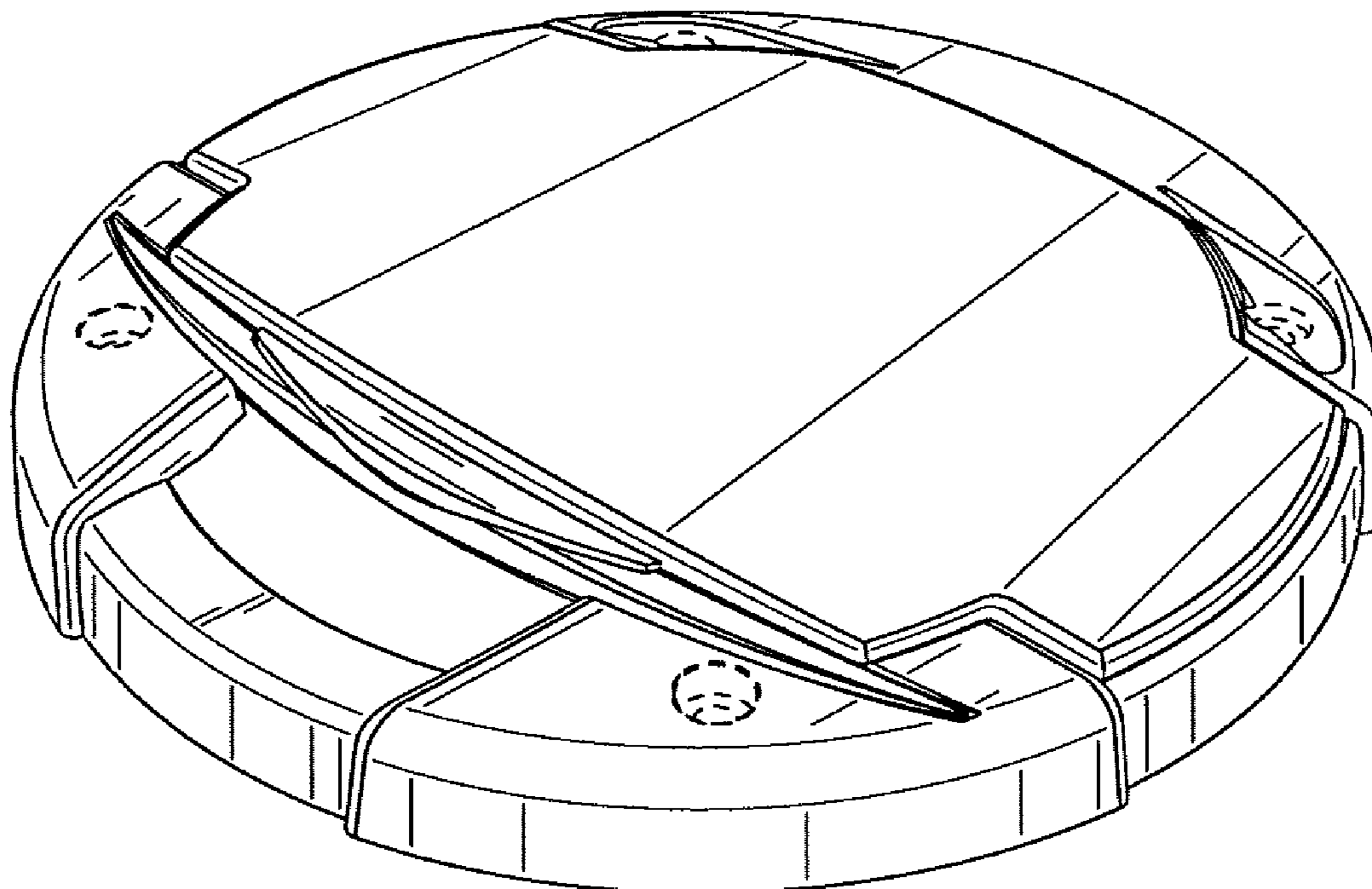
(57) **CLAIM**
The ornamental design for an in-vehicle speaker grill, as shown.

DESCRIPTION

FIG. 1 is a bottom perspective view of an in-vehicle speaker grill;
FIG. 2 is a top perspective view thereof;
FIG. 3 is a front view thereof;
FIG. 4 is a rear view thereof;
FIG. 5 is a left side view thereof;
FIG. 6 is a right side view thereof;
FIG. 7 is a top view thereof; and,
FIG. 8 is a bottom view thereof.
The broken lines in the drawings illustrate environmental subject matter only and form no part of the claimed design.

(56) **References Cited**
U.S. PATENT DOCUMENTS
D440,559 S * 4/2001 Ballard et al. D14/219
D565,032 S * 3/2008 Iwamoto D14/220

1 Claim, 7 Drawing Sheets



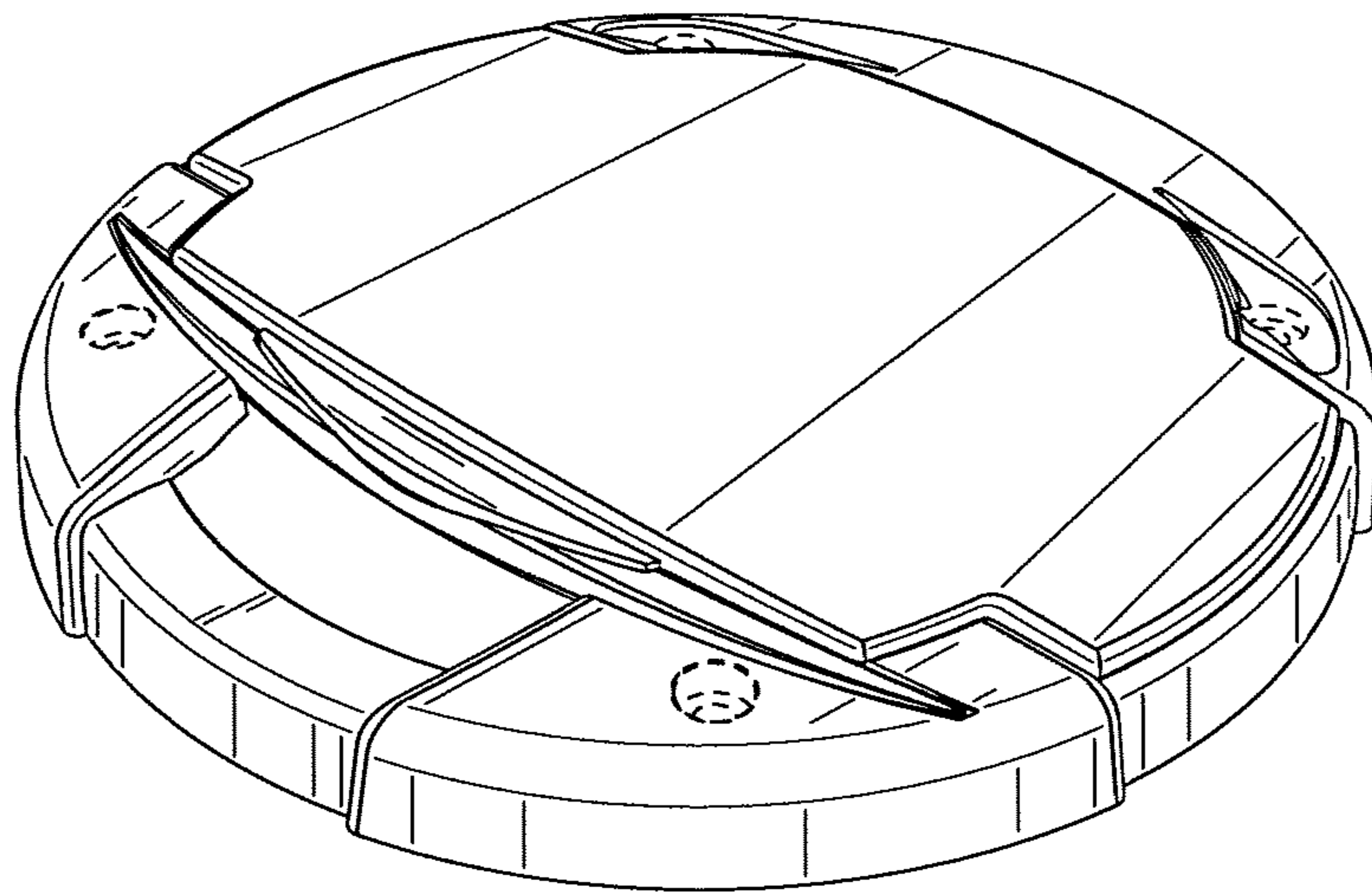


FIG. 1

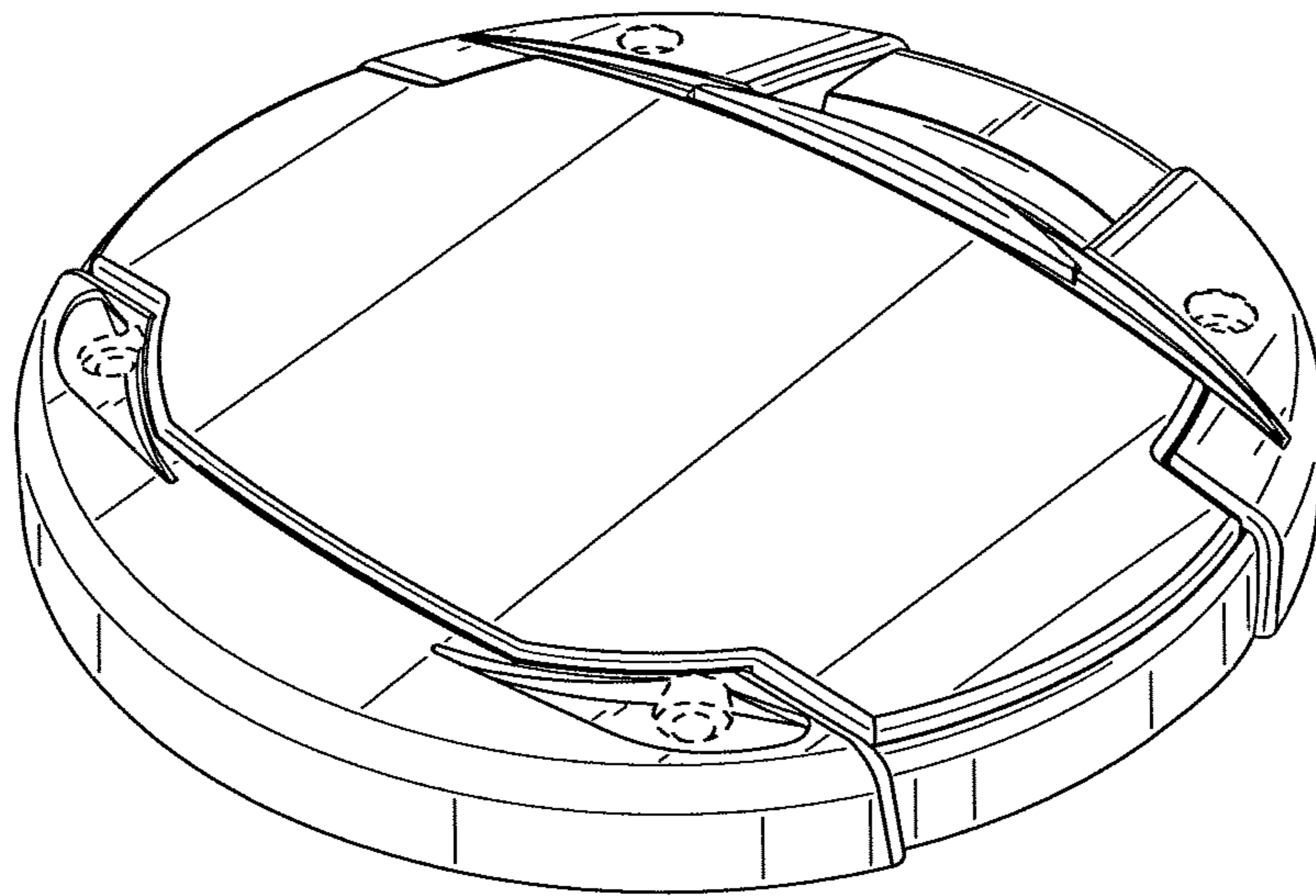


FIG. 2

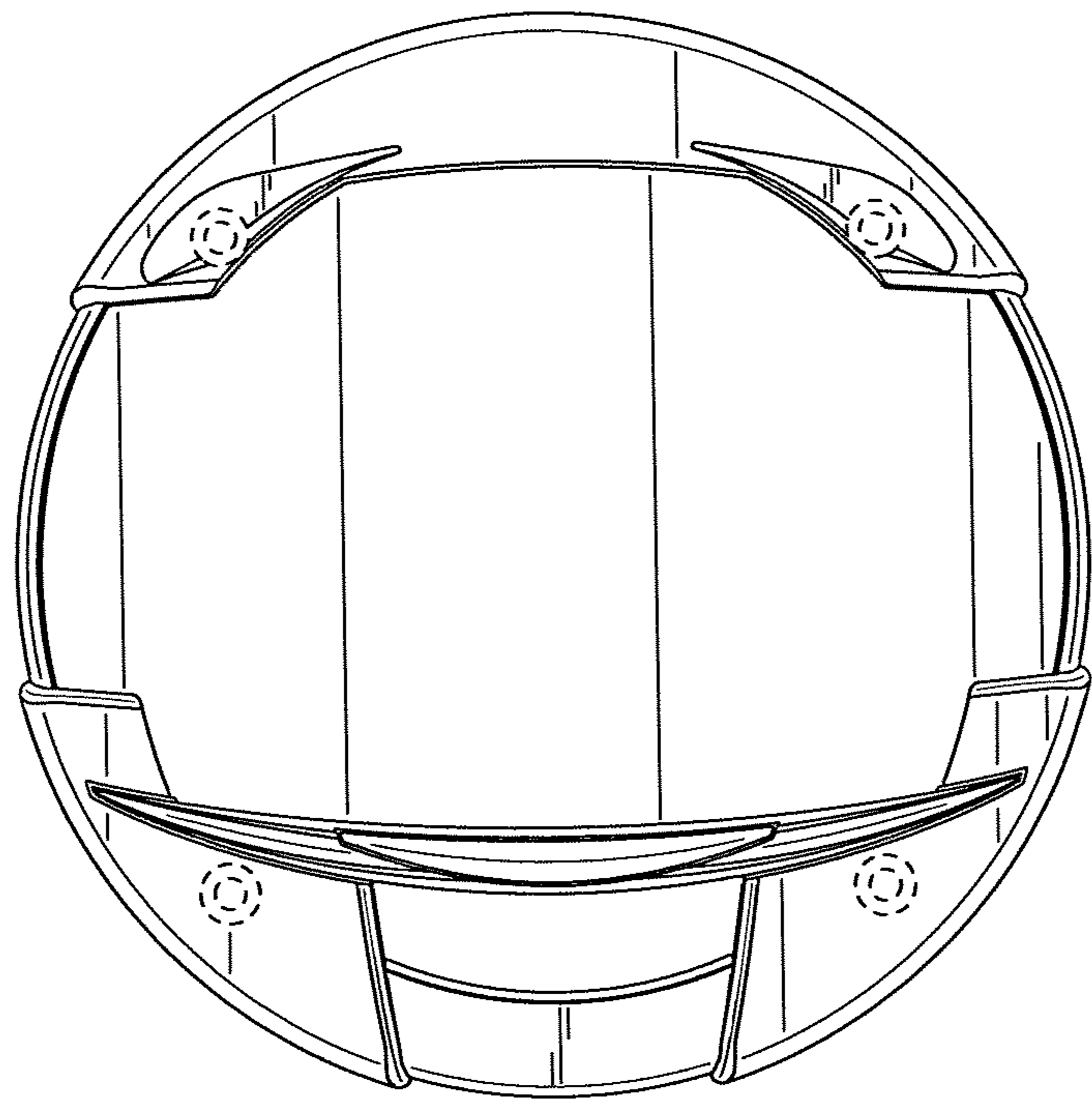


FIG. 3

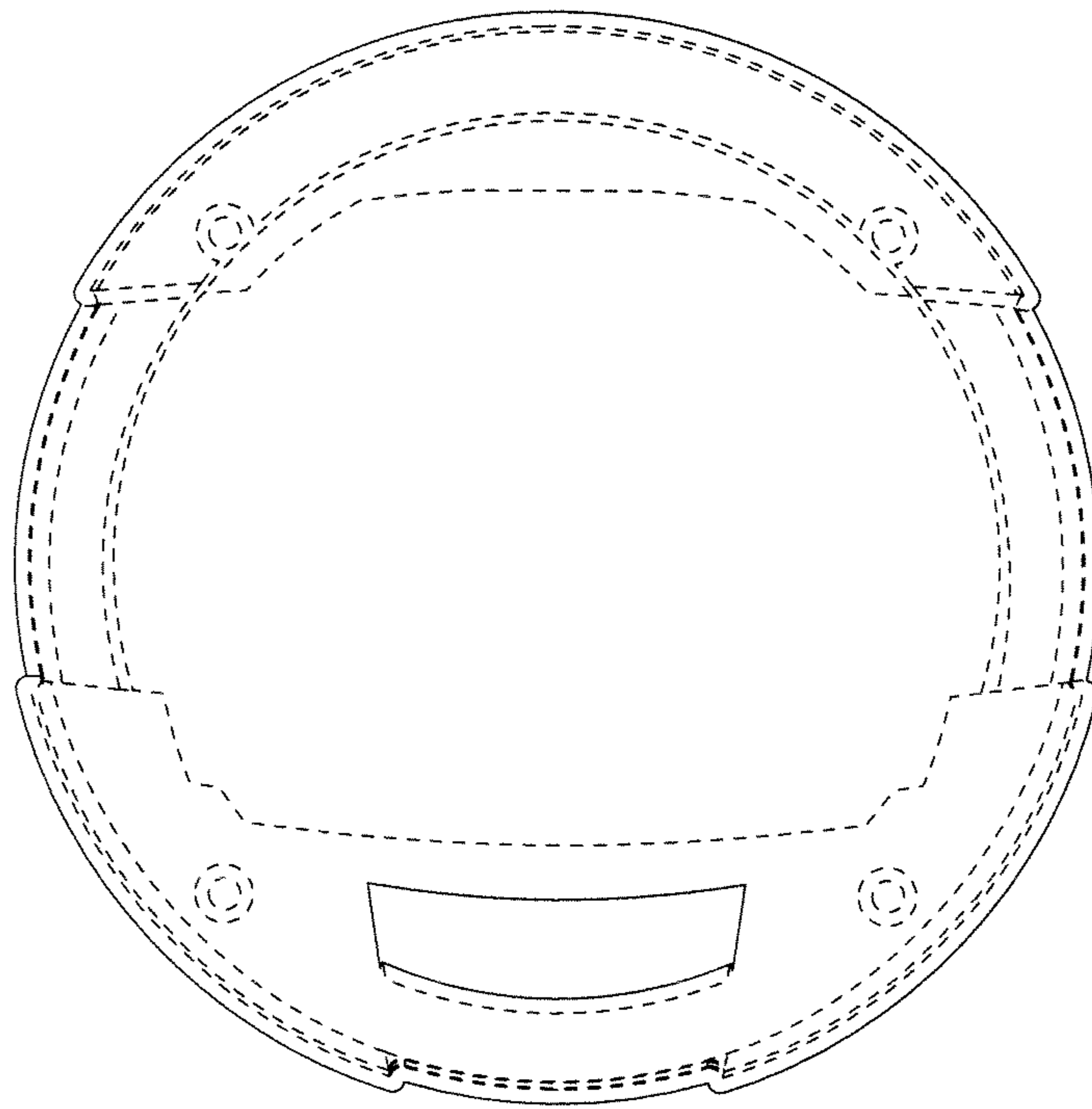


FIG. 4

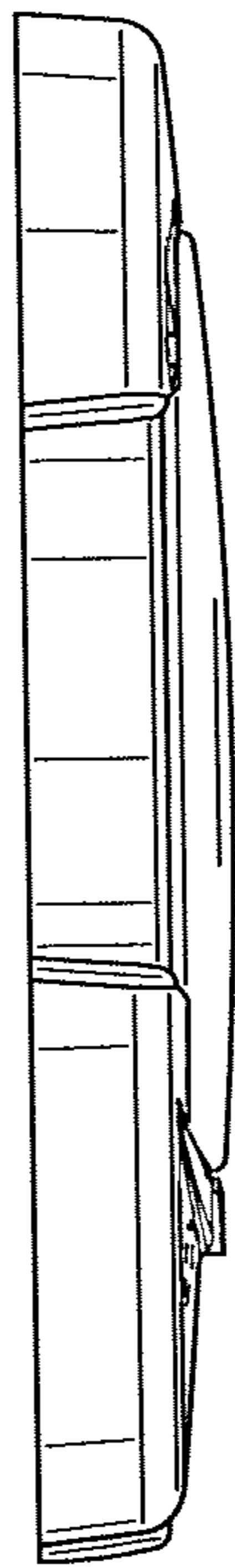


FIG. 5

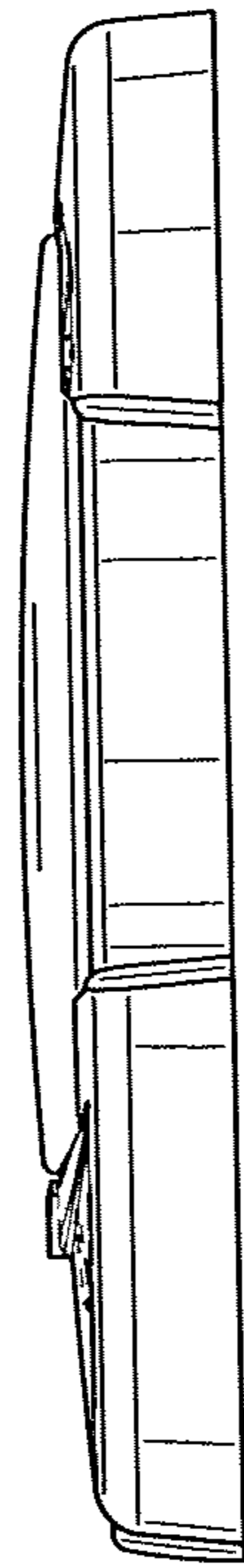


FIG. 6

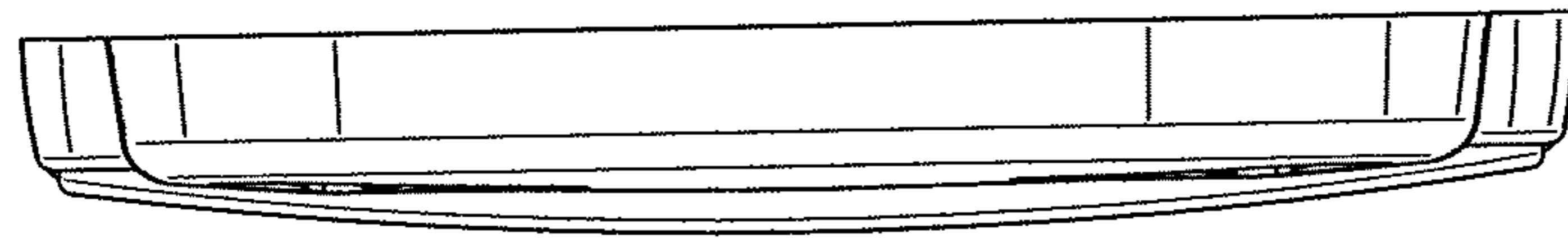


FIG. 7

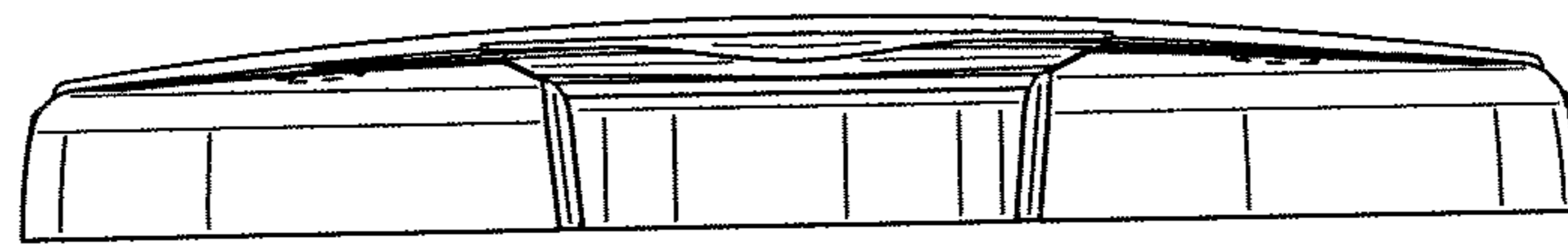


FIG. 8