



US00D691587S

(12) **United States Design Patent**
Ferber et al.

(10) **Patent No.:** **US D691,587 S**

(45) **Date of Patent:** **** Oct. 15, 2013**

(54) **SPEAKER**

(75) Inventors: **Roman S. Ferber**, West Bloomfield, MI (US); **Hing Wah Tsang**, Ajax (CA); **Chad Robert Stewart**, Toronto (CA)

(73) Assignee: **FKA Distributing Co., LLC**, Commerce Township, MI (US)

(**) Term: **14 Years**

(21) Appl. No.: **29/415,328**

(22) Filed: **Mar. 9, 2012**

(51) **LOC (9) Cl.** **14-03**

(52) **U.S. Cl.**
USPC **D14/216**

(58) **Field of Classification Search**
USPC D14/167, 168, 170–172, 188, 194–196, D14/204, 207, 209.1, 210–216, 221, 222; 181/143, 144, 147, 148, 150, 153, 157, 181/198, 199; 381/300–303, 306, 332, 333, 381/336, 345, 361–364, 386–388; D13/107, 108; 455/344–351; 369/6–12
See application file for complete search history.

(56) **References Cited**

U.S. PATENT DOCUMENTS

D303,970 S	*	10/1989	Collins et al.	D14/216
D388,791 S	*	1/1998	McGreevy	D14/216
D488,166 S	*	4/2004	Daniels	D14/496
D584,290 S	*	1/2009	Lee	D14/216
D602,911 S	*	10/2009	Wang et al.	D14/216
D607,876 S	*	1/2010	Huang	D14/216

D610,572 S	*	2/2010	Skurdal	D14/216
D610,573 S	*	2/2010	Joseph	D14/216
D620,480 S	*	7/2010	Garrett	D14/216
D621,347 S	*	8/2010	Aulwes et al.	D13/108
D625,295 S	*	10/2010	Nogueira et al.	D14/218
D635,554 S	*	4/2011	Lee	D14/216
D656,486 S	*	3/2012	Parraga Gimeno	D14/216
D683,311 S	*	5/2013	Siminoff et al.	D13/108

* cited by examiner

Primary Examiner — Keli L Hill

(74) *Attorney, Agent, or Firm* — Brooks Kushman P.C.

(57) **CLAIM**

The ornamental design for a speaker, as shown and described.

DESCRIPTION

FIG. 1 is a perspective view of a speaker according to an embodiment;

FIG. 2 is a front elevational view of the speaker of FIG. 1;

FIG. 3 is a rear elevational view of the speaker of FIG. 1;

FIG. 4 is a right side elevational view of the speaker of FIG. 1;

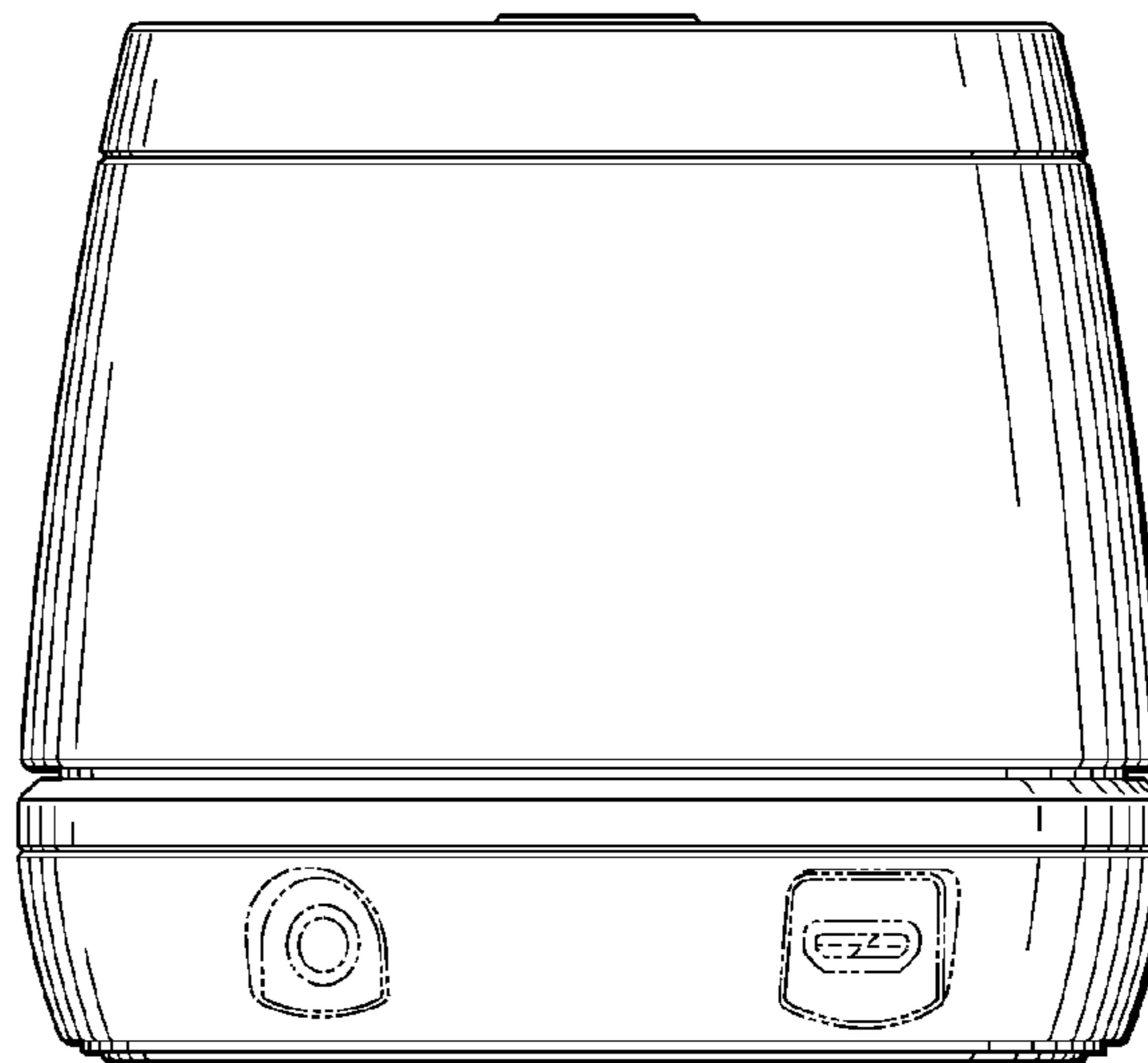
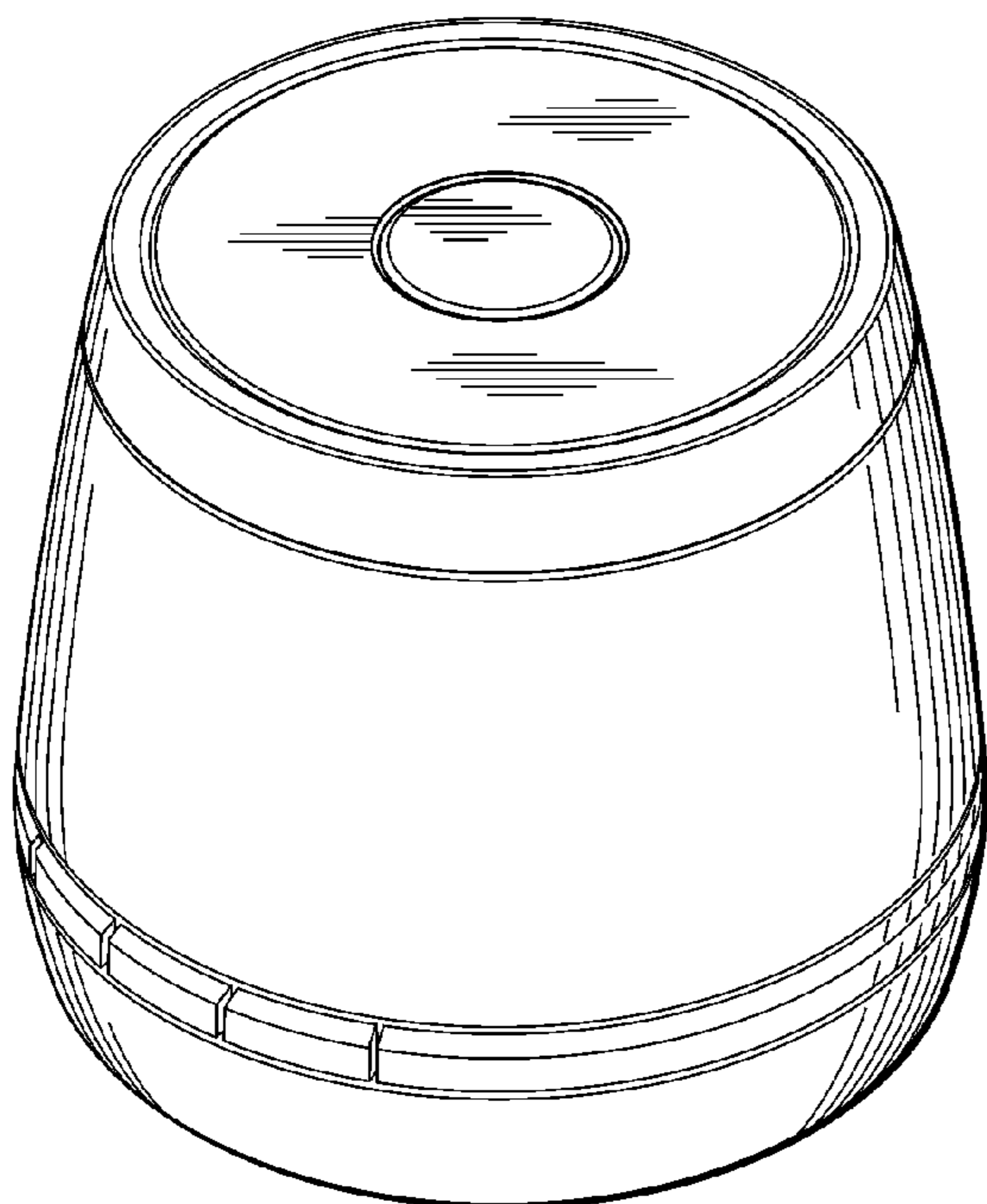
FIG. 5 is a left side elevational view of the speaker of FIG. 1; and,

FIG. 6 is a top plan view of the speaker of FIG. 1.

The broken lines shown are included for the purpose of illustrating portions of the *** that form no part of the claim.

The broken line showing of the indicator and ports is included for the purpose of illustrating portions of the speaker that form no part of the claimed design.

1 Claim, 3 Drawing Sheets



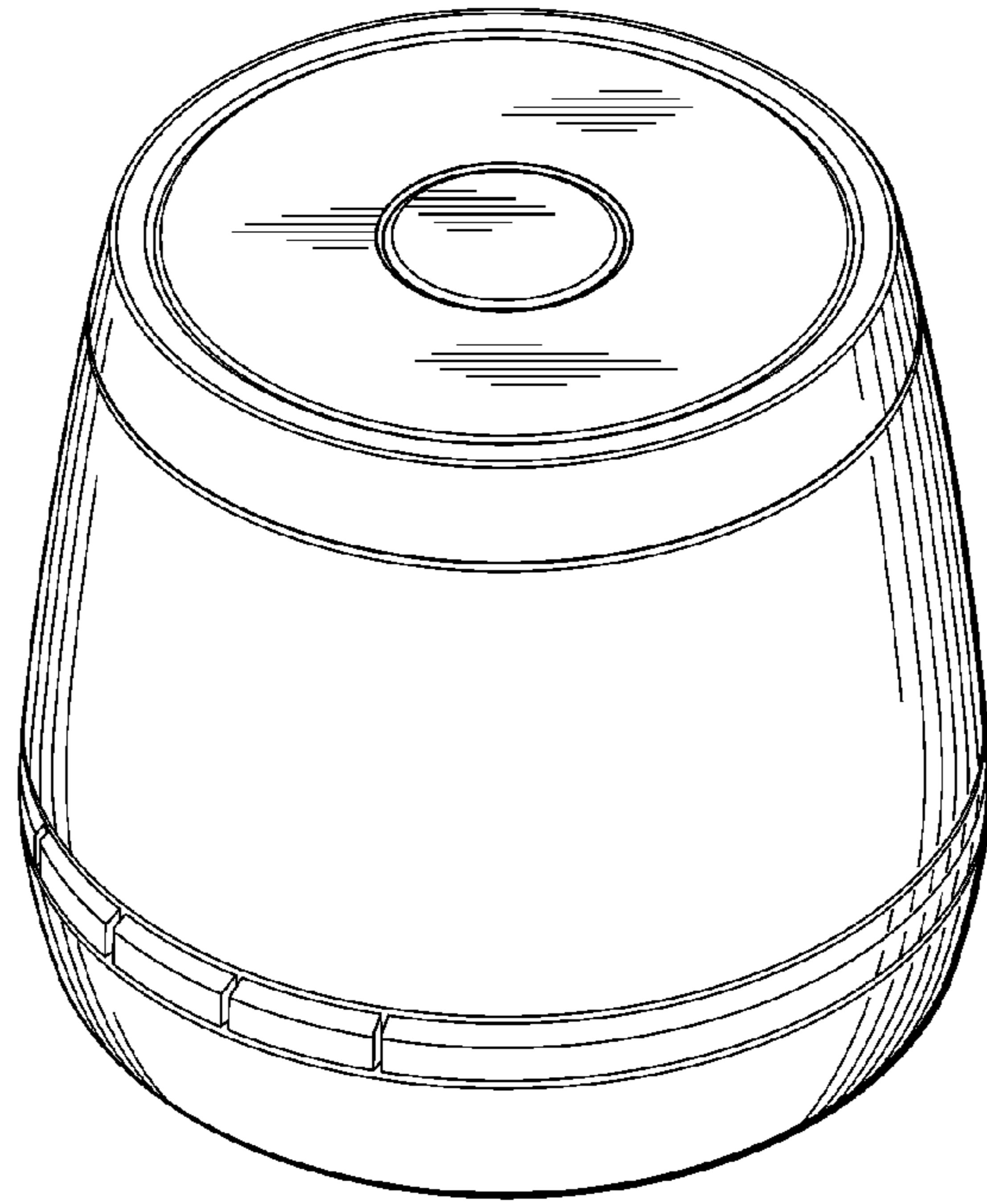


Fig. 1

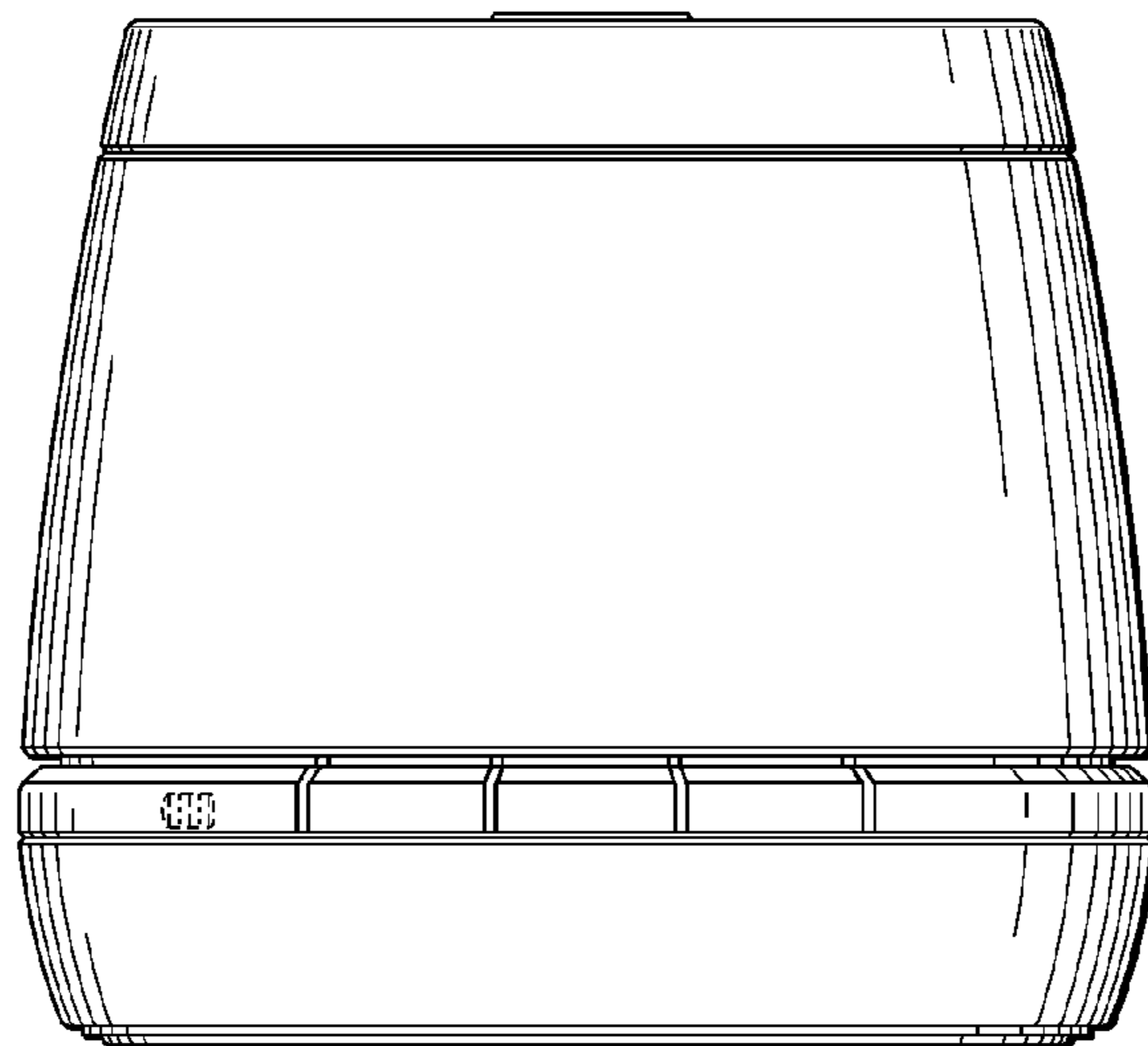


Fig. 2

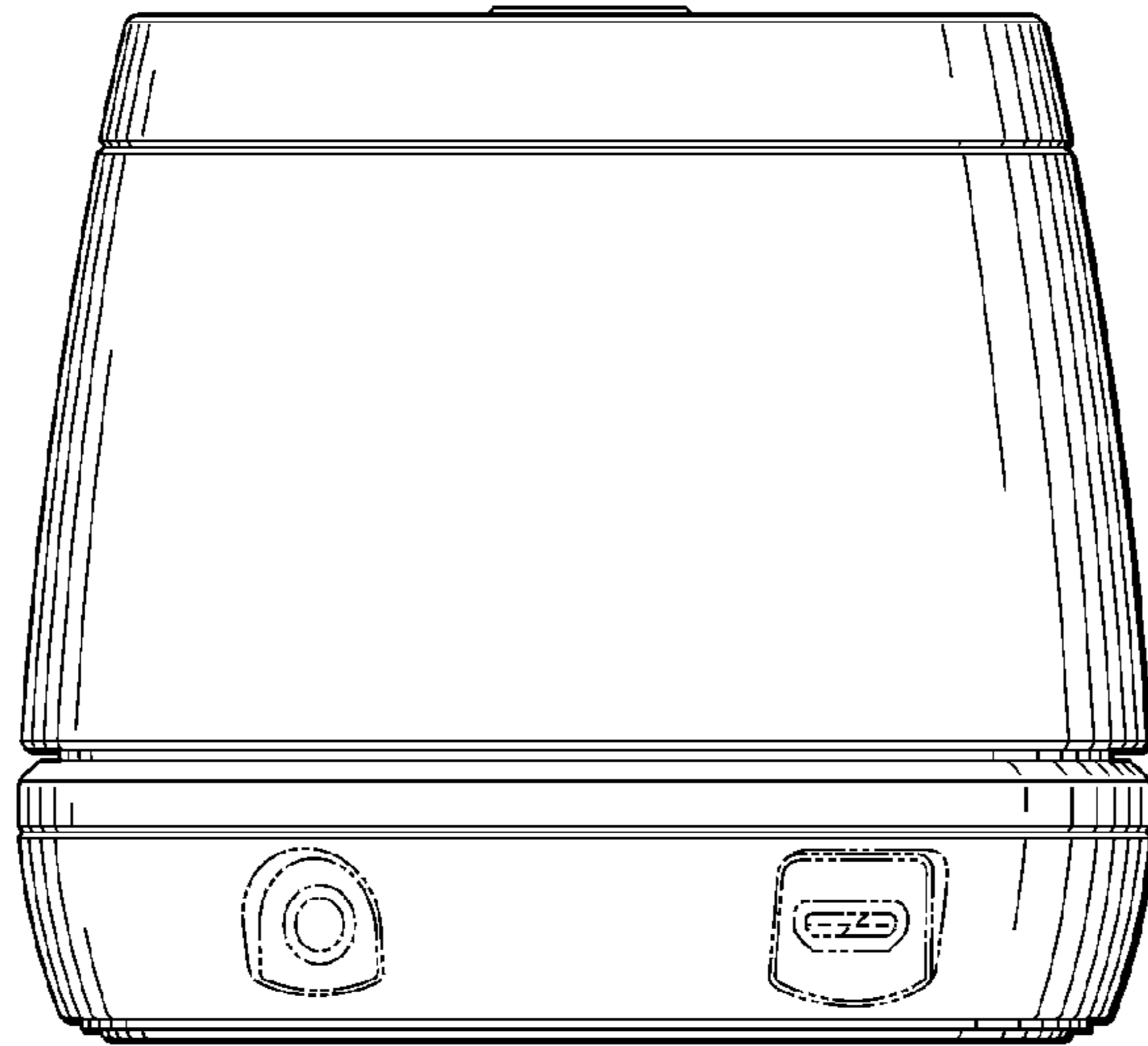


Fig. 3

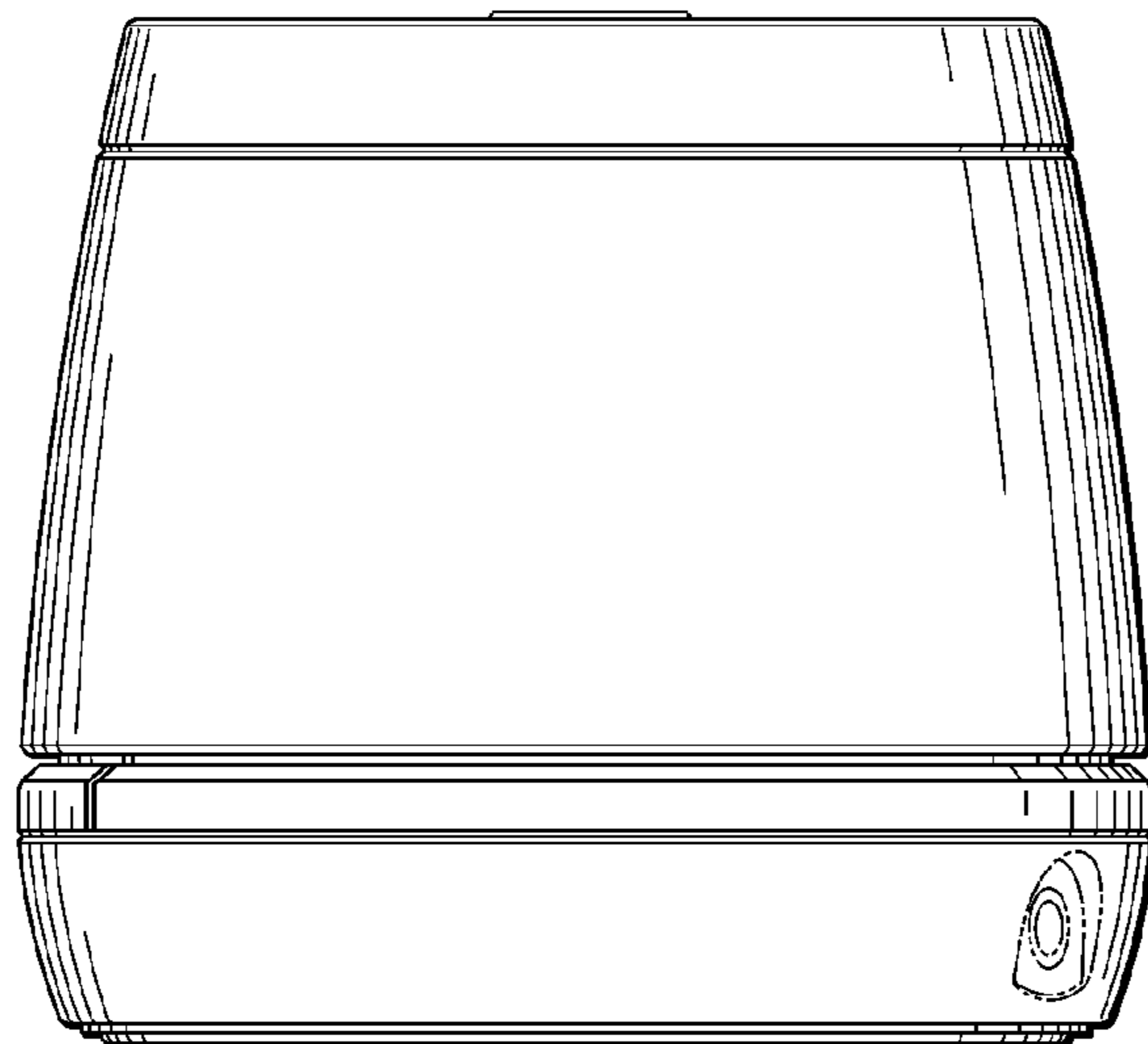


Fig. 4

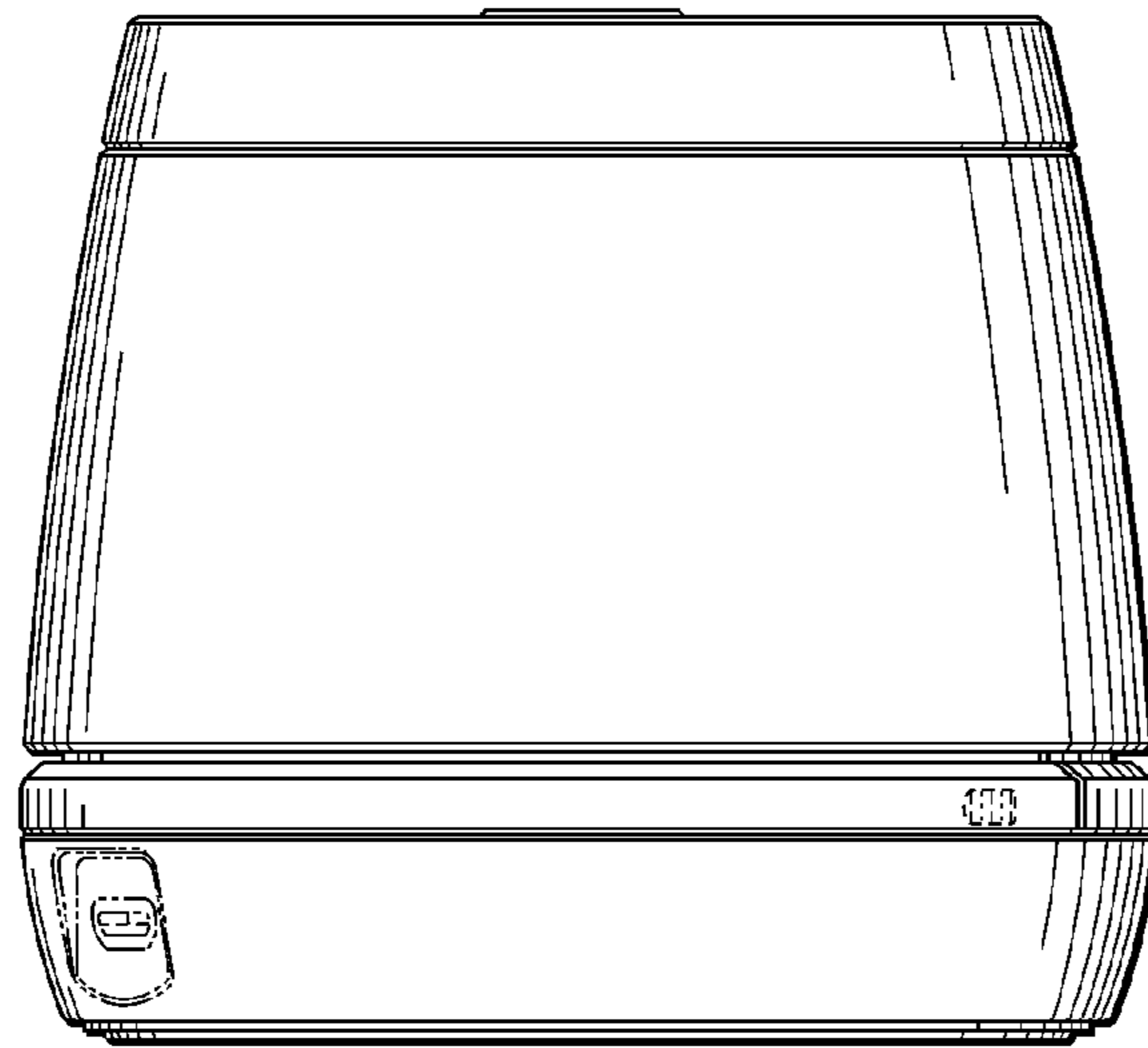


Fig. 5

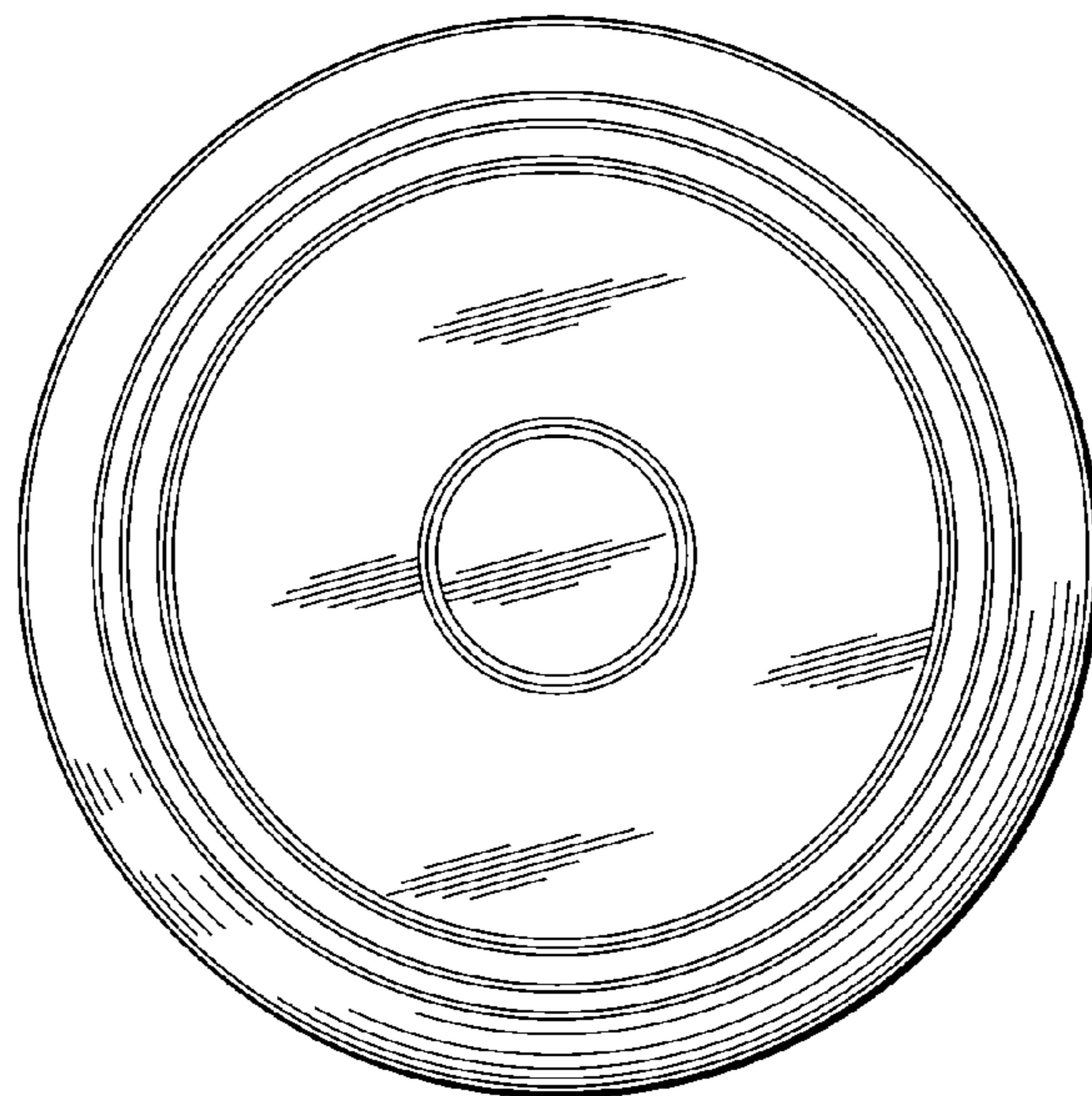


Fig. 6