



US00D691586S

(12) **United States Design Patent**
Clark

(10) **Patent No.:** **US D691,586 S**
(45) **Date of Patent:** **** Oct. 15, 2013**

(54) **CHAIR-ATTACHABLE WIRELESS SPEAKER SYSTEM**

(76) Inventor: **Rex Clark**, Vancouver, WA (US)

(**) Term: **14 Years**

(21) Appl. No.: **29/410,607**

(22) Filed: **Jan. 10, 2012**

Related U.S. Application Data

(63) Continuation-in-part of application No. 12/625,120, filed on Nov. 24, 2009, now abandoned.

(51) **LOC (9) Cl.** **14-01**

(52) **U.S. Cl.**
USPC **D14/209.1**

(58) **Field of Classification Search**
USPC D14/204, 204.1, 210–216, 172;
181/143, 144, 147, 148, 150–153, 157,
181/198, 199; 381/300–306, 332, 333, 336,
381/345, 361–364, 86, 77, 386–389
See application file for complete search history.

(56) **References Cited**

U.S. PATENT DOCUMENTS

D211,523 S * 6/1968 Duern D6/335
3,512,605 A * 5/1970 McCorkle 381/301

(Continued)

Primary Examiner — Prabhakar Deshmukh

(57) **CLAIM**

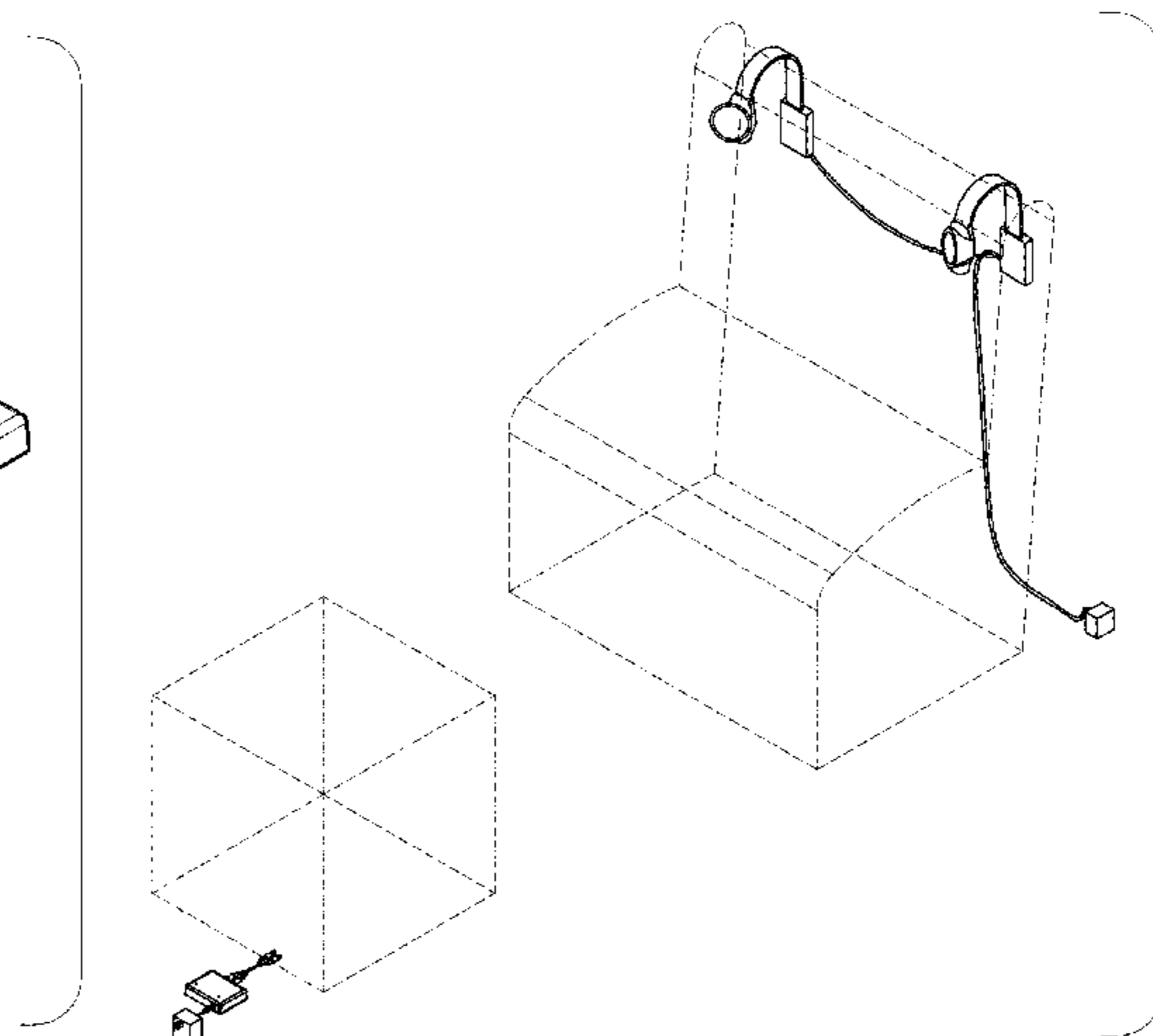
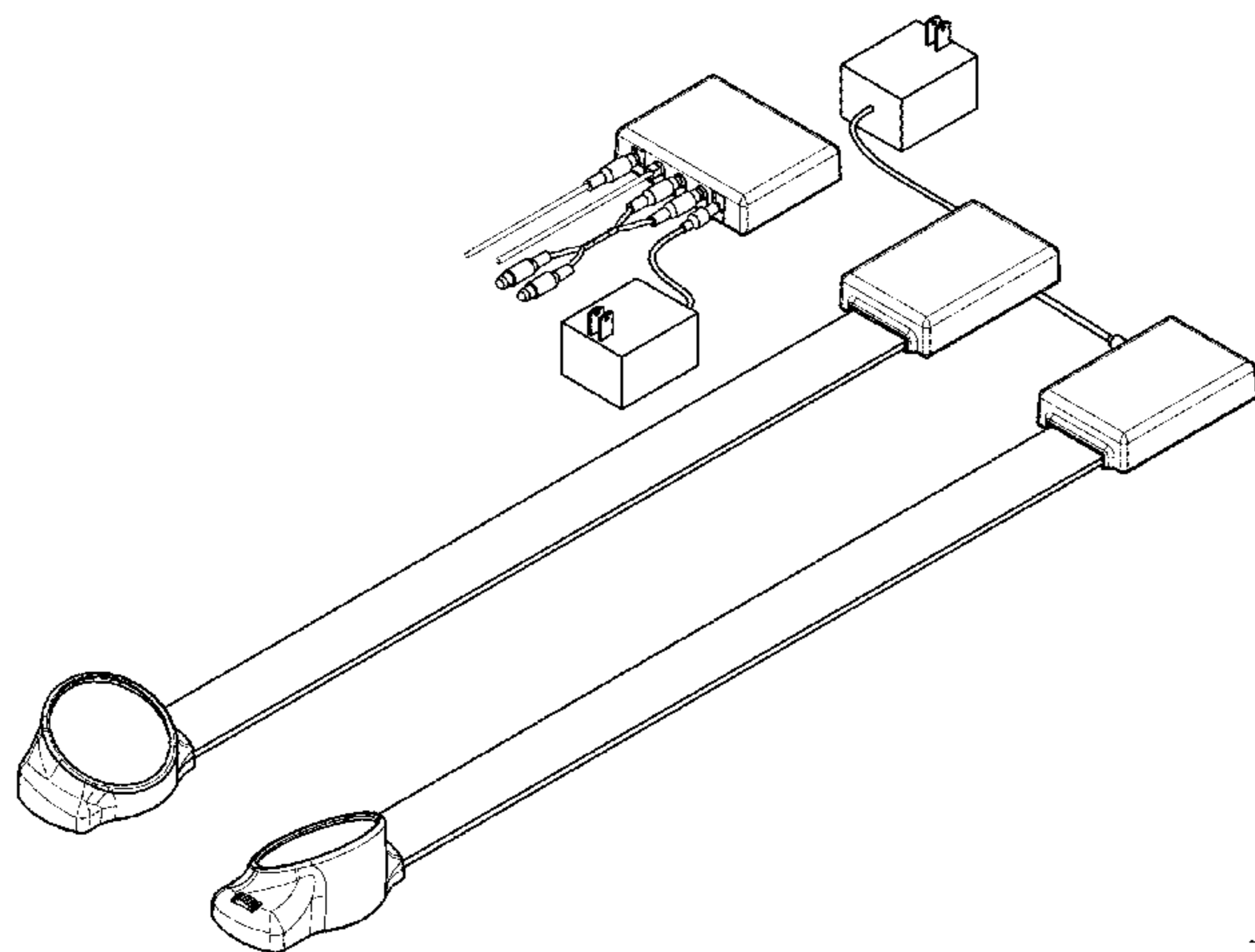
The ornamental design for chair-attachable wireless speaker system, as shown and described.

DESCRIPTION

FIG. 1 is a top plan view of a chair-attachable wireless speaker system showing my new design;
FIG. 2 is a perspective view of FIG. 1;

FIG. 3 is an exploded perspective view thereof, shown in its environmental use, with the speaker portion attached to a chair and the transmitter portion attached to an audio source;
FIG. 4 is an exploded left side view of FIG. 3;
FIG. 5 is a top plan view of the speaker portion attached to a chair in FIG. 3;
FIG. 6 is an exploded top plan view of FIG. 5;
FIG. 7 is an exploded top plan view of FIG. 3;
FIG. 8 is a top plan view of the transmitter portion of FIG. 1;
FIG. 9 is a perspective view of FIG. 8;
FIG. 10 is an exploded top plan view of the receiver portion of FIG. 1;
FIG. 11 is an exploded perspective view of FIG. 10;
FIG. 12 is another exploded perspective view of FIG. 10.
FIG. 13 is an enlarged perspective view of a portion taken along the circle 13 of FIG. 12;
FIG. 14 is a perspective view of the left speaker of FIG. 1;
FIG. 15 is a front elevational view of FIG. 14;
FIG. 16 is another perspective view of FIG. 14;
FIG. 17 is a left side elevational view of FIG. 16;
FIG. 18 is a top plan view of FIG. 14;
FIG. 19 is a bottom plan view of FIG. 14;
FIG. 20 is a rear elevational view of FIG. 14;
FIG. 21 is a left side elevational elevation view of FIG. 14;
FIG. 22 is a perspective view of the right speaker of FIG. 1;
FIG. 23 is a front elevational view of FIG. 22;
FIG. 24 is a top plan view of FIG. 22;
FIG. 25 is a left side elevational view of FIG. 22;
FIG. 26 is another perspective view of FIG. 22;
FIG. 27 is a left side elevational view of FIG. 26;
FIG. 28 is a rear elevational view of FIG. 22; and,
FIG. 29 is a bottom plan view of FIG. 22.
The broken lines environment is for illustrative purposes and forms no part of the claimed design. The left speaker in FIGS. 14-21 and the right speaker in FIGS. 22-29 are shown in an enlarged scale for clarity of illustration.

1 Claim, 18 Drawing Sheets



(56)

References Cited

U.S. PATENT DOCUMENTS

4,354,067 A * 10/1982 Yamada et al. 381/413
4,977,600 A * 12/1990 Ziegler 381/71.6
5,143,055 A * 9/1992 Eakin 601/47
5,387,178 A * 2/1995 Moses 600/27

D371,252 S * 7/1996 Chaput D6/381
D378,169 S * 2/1997 Yu D6/334
6,135,551 A * 10/2000 Linder 297/217.4
6,234,446 B1 * 5/2001 Patterson 248/694
6,458,860 B1 * 10/2002 Humbert et al. 521/115
6,721,430 B2 * 4/2004 Wang 381/334
7,448,680 B2 * 11/2008 DiRe 297/217.3

* cited by examiner

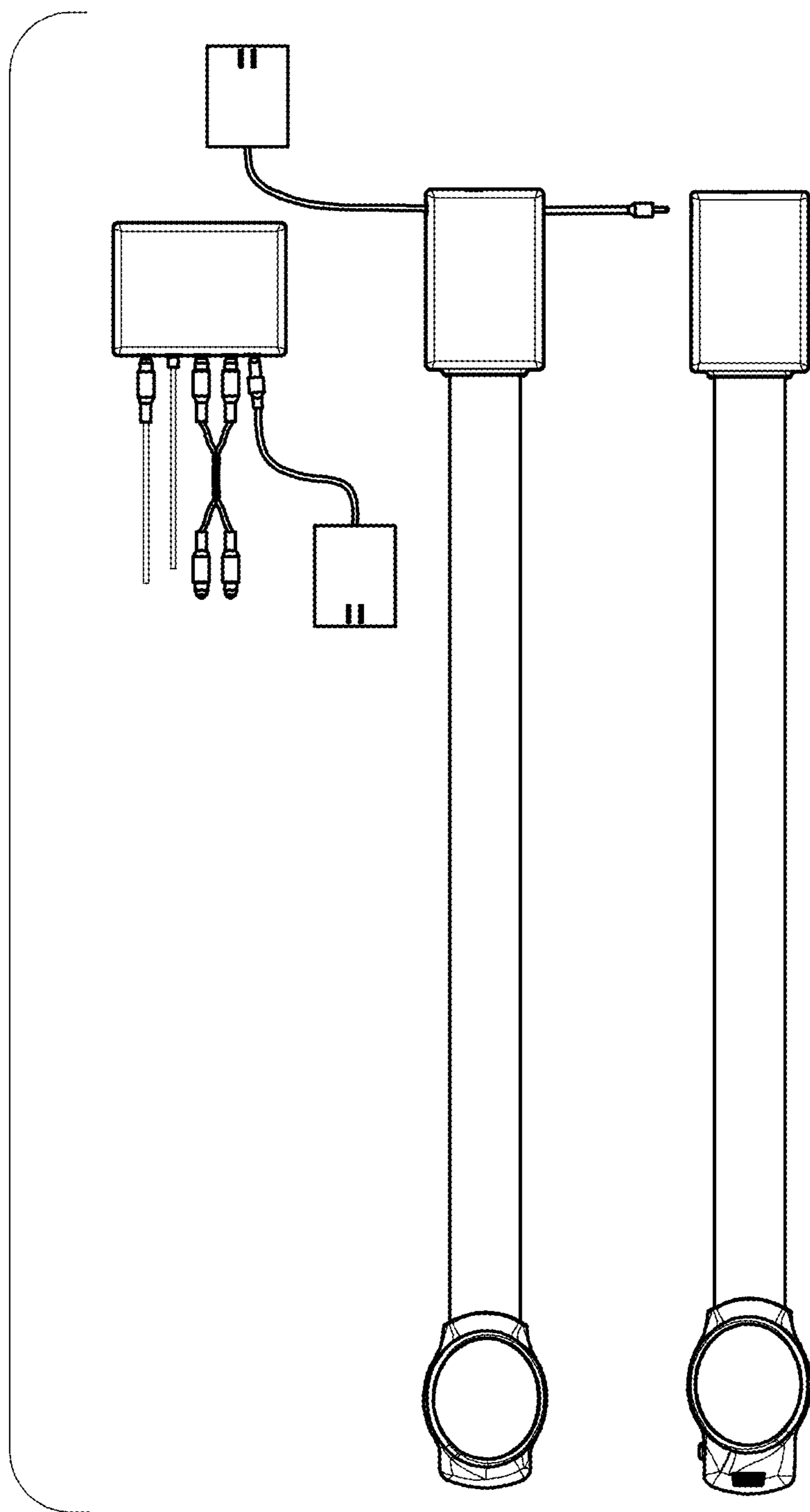


FIG. 1

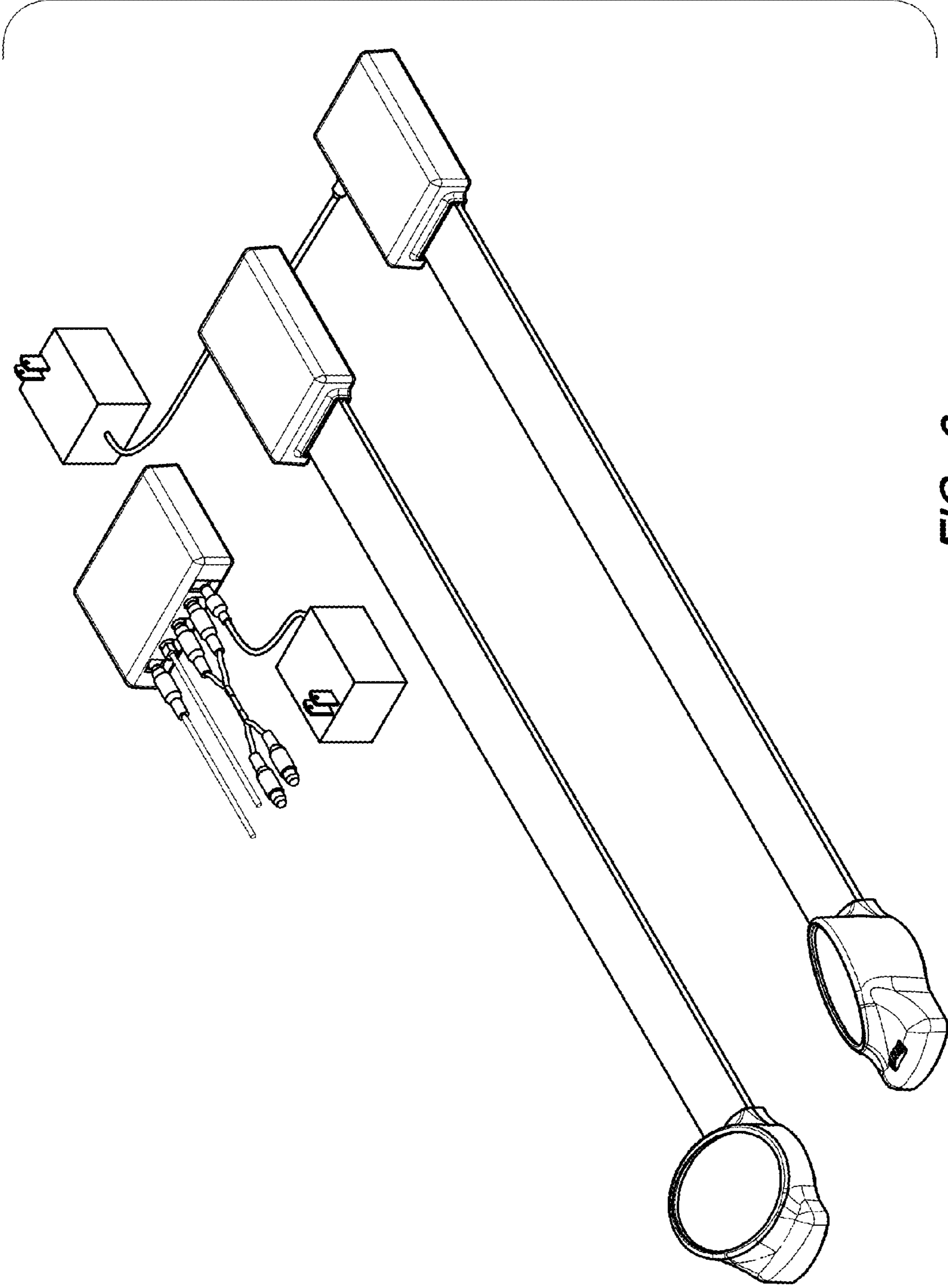


FIG. 2

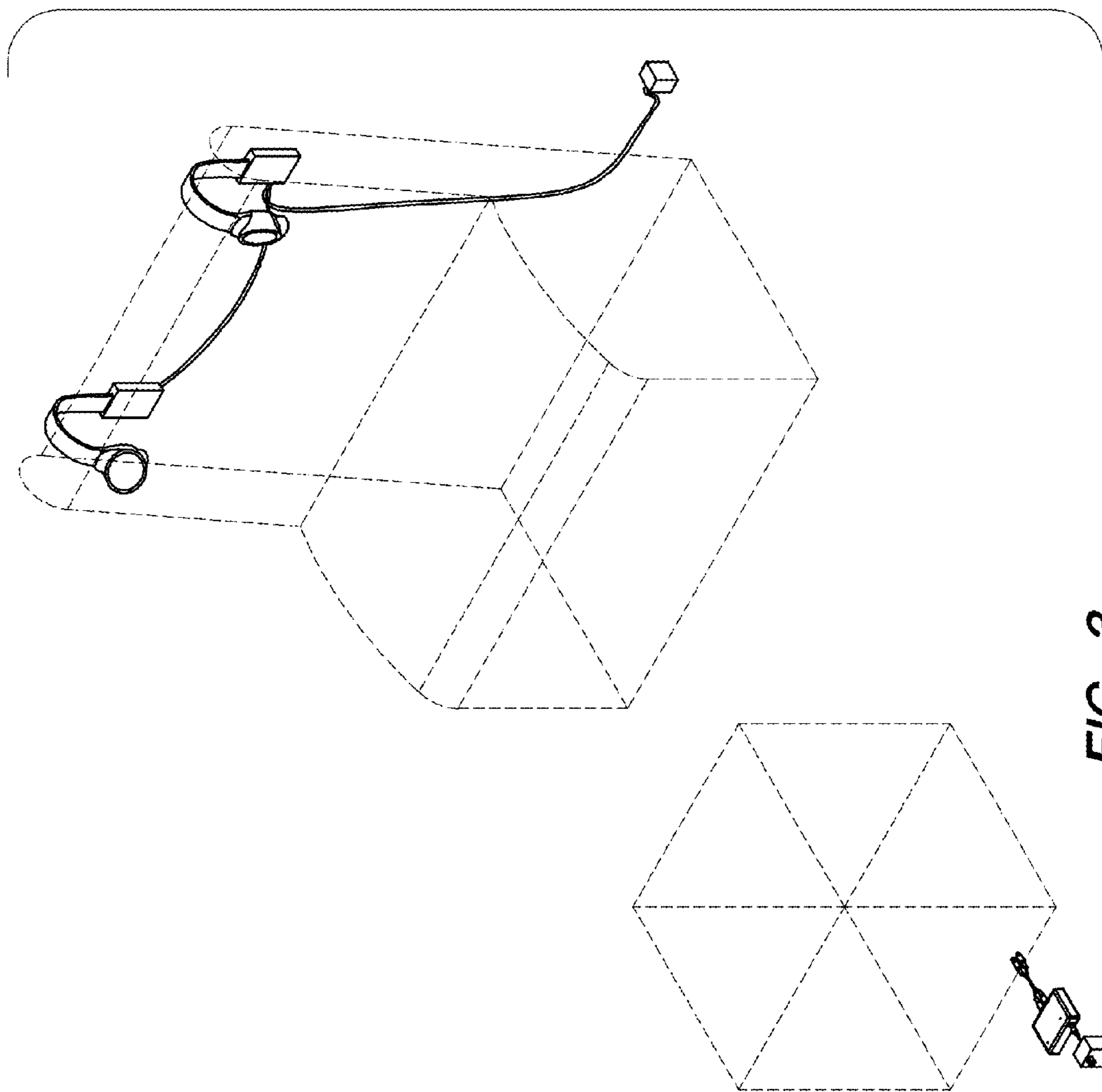


FIG. 3

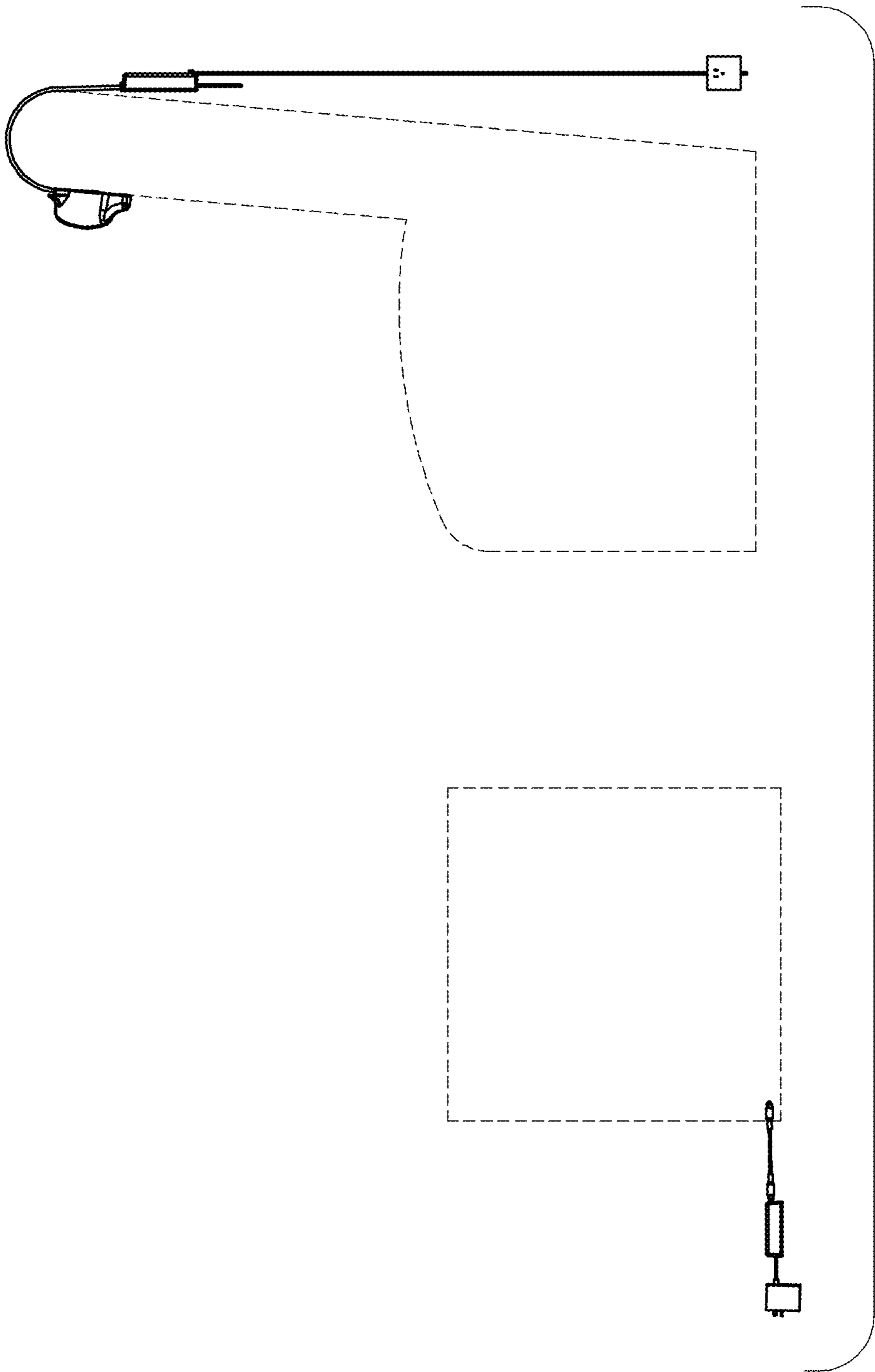


FIG. 4

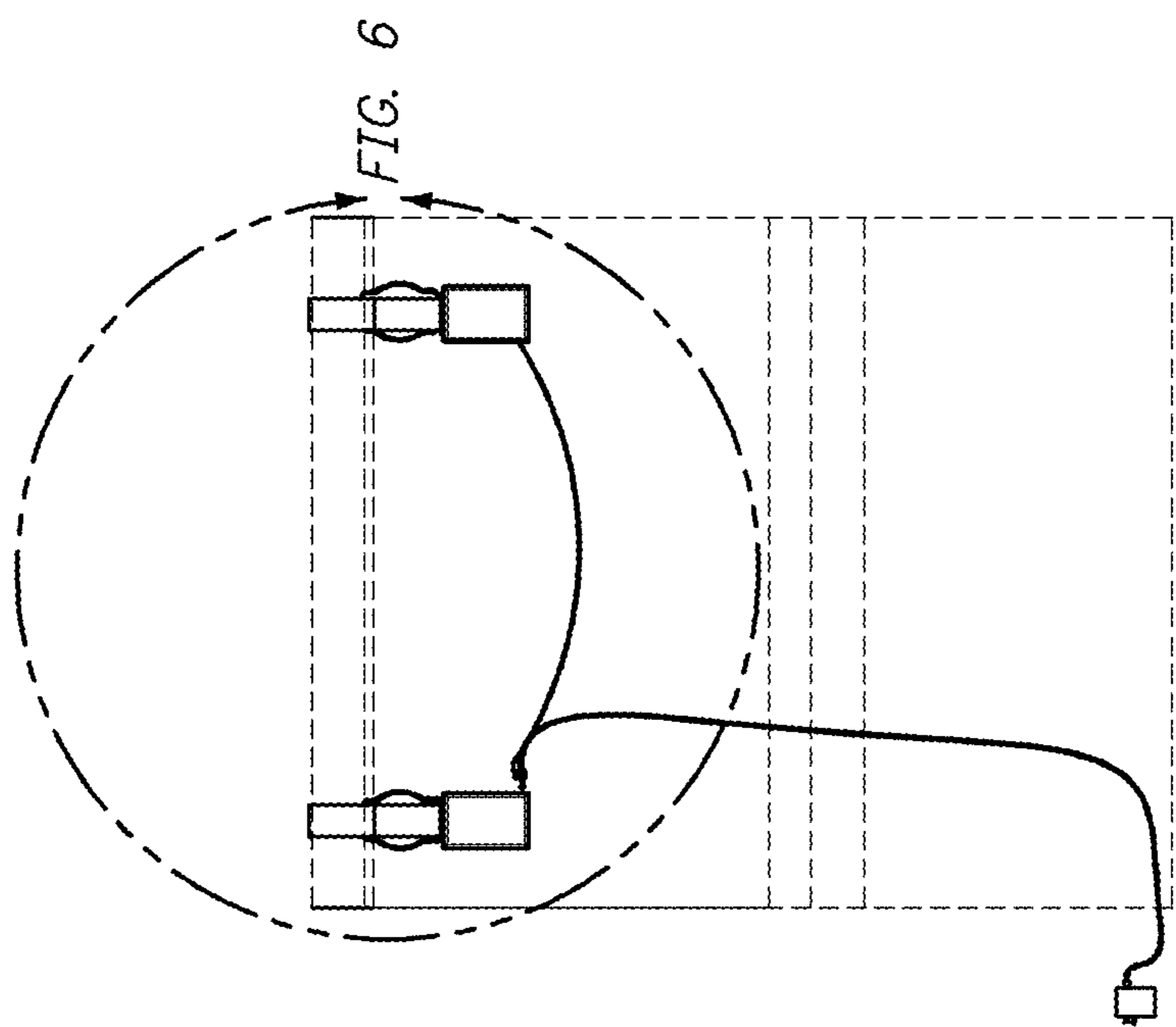


FIG. 5

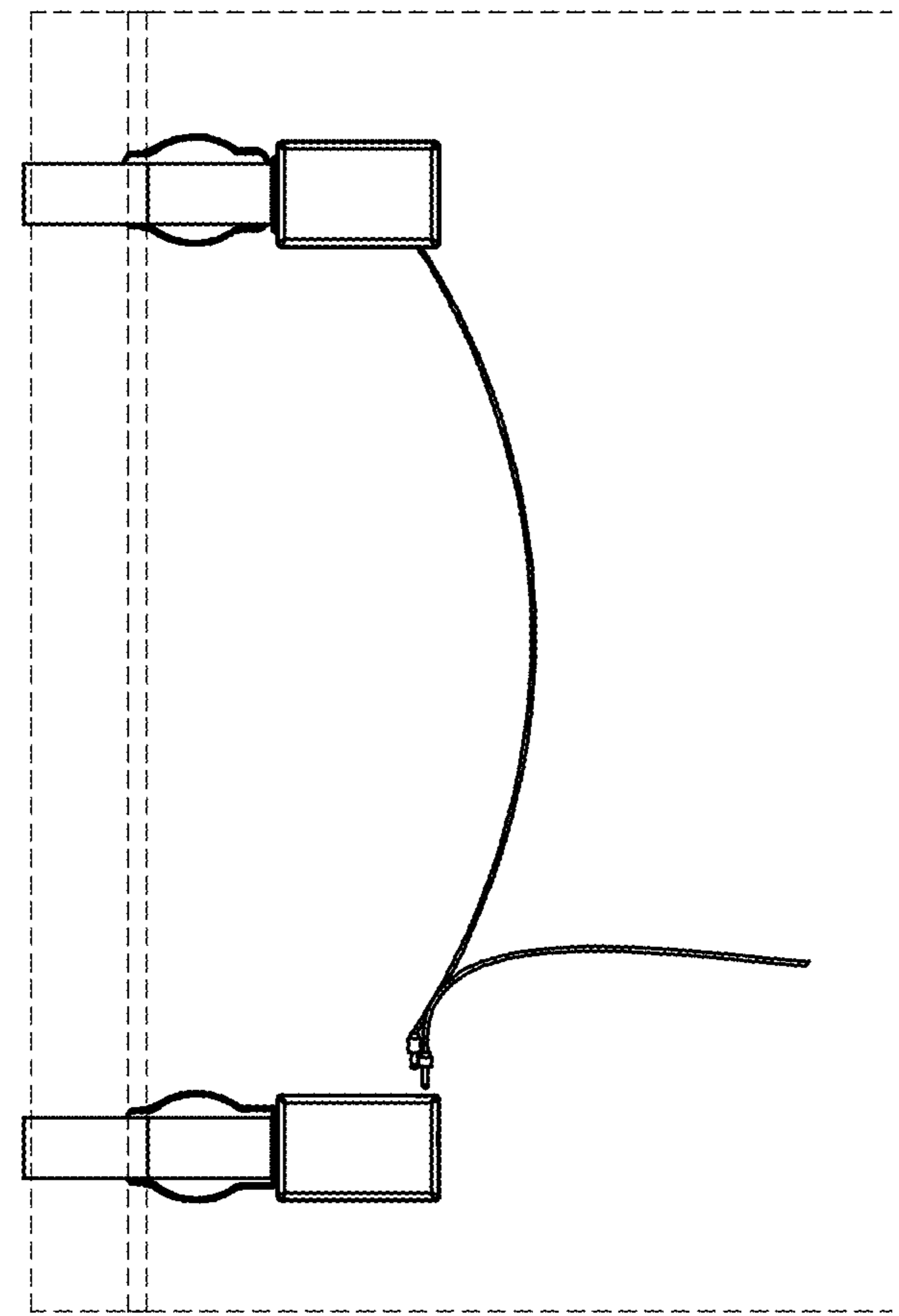


FIG. 6



FIG. 7

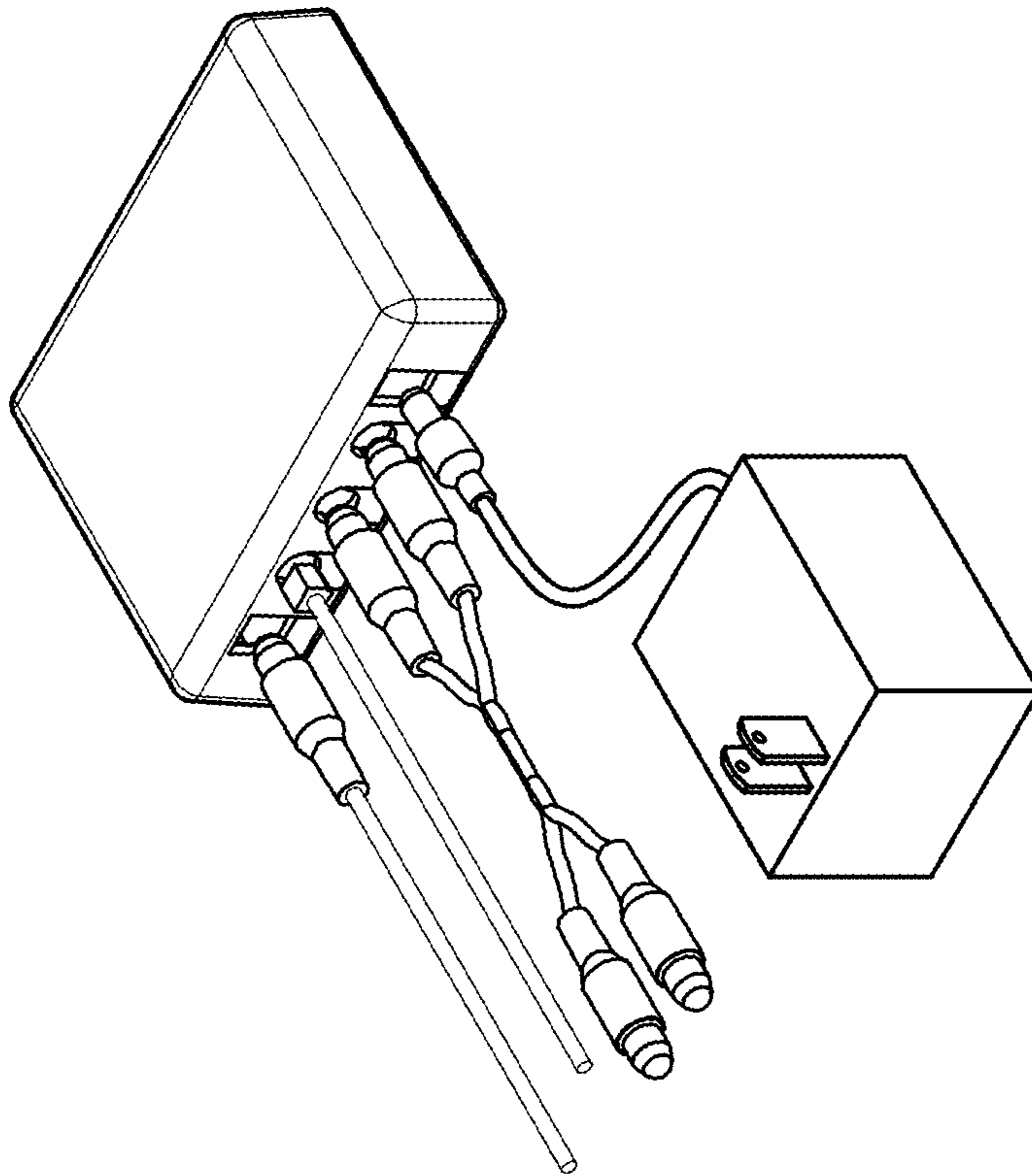


FIG. 9

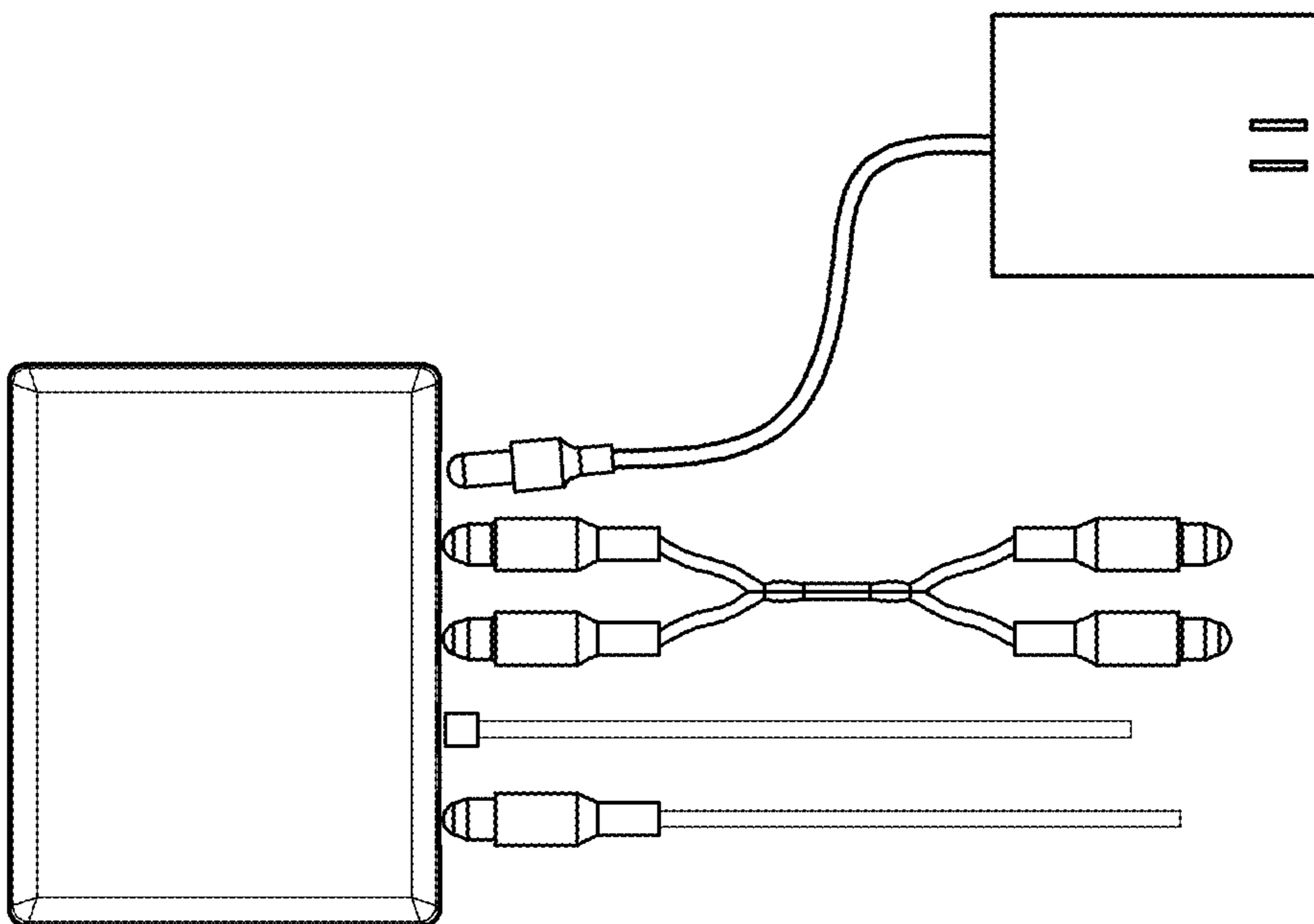


FIG. 8

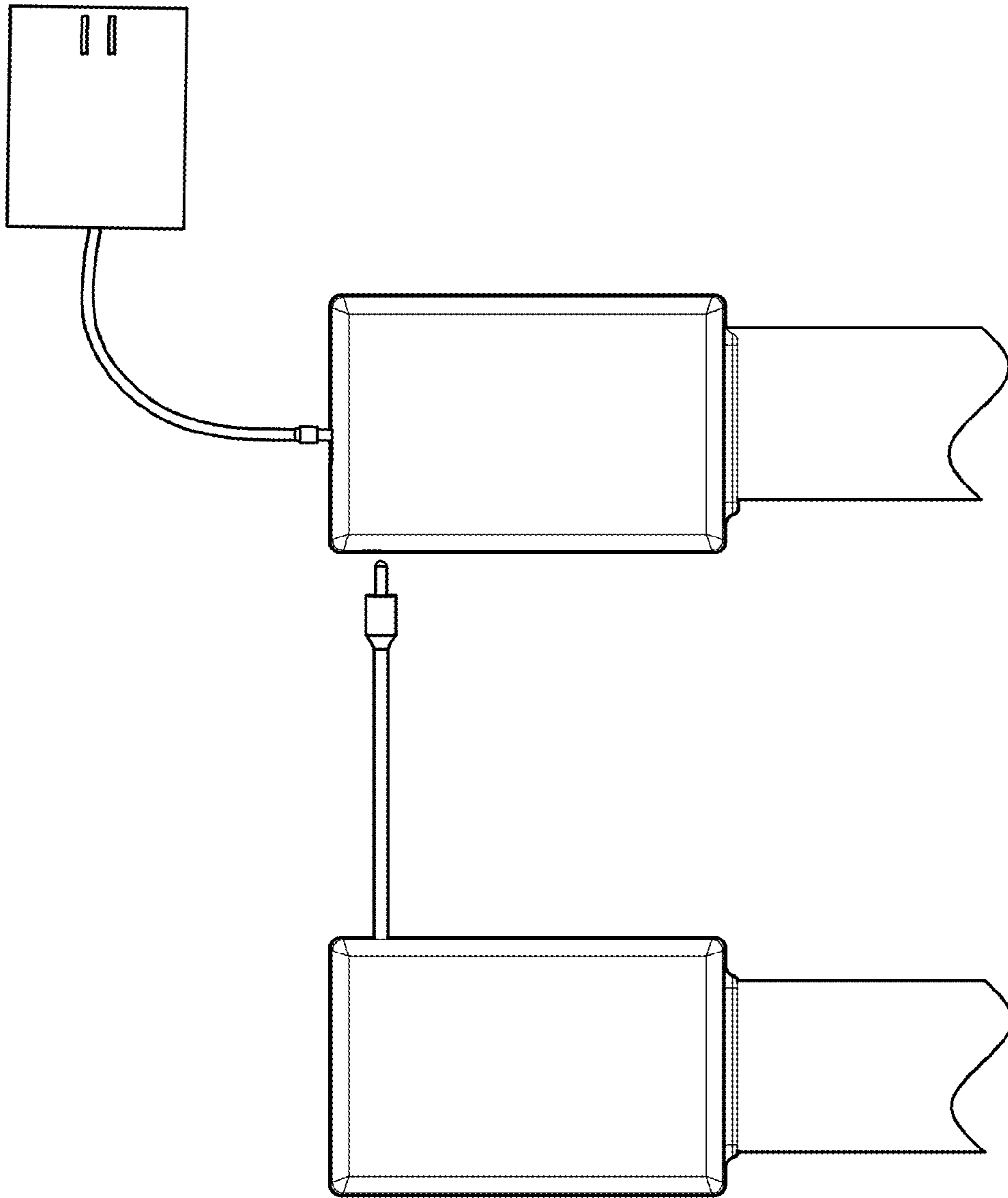


FIG. 10

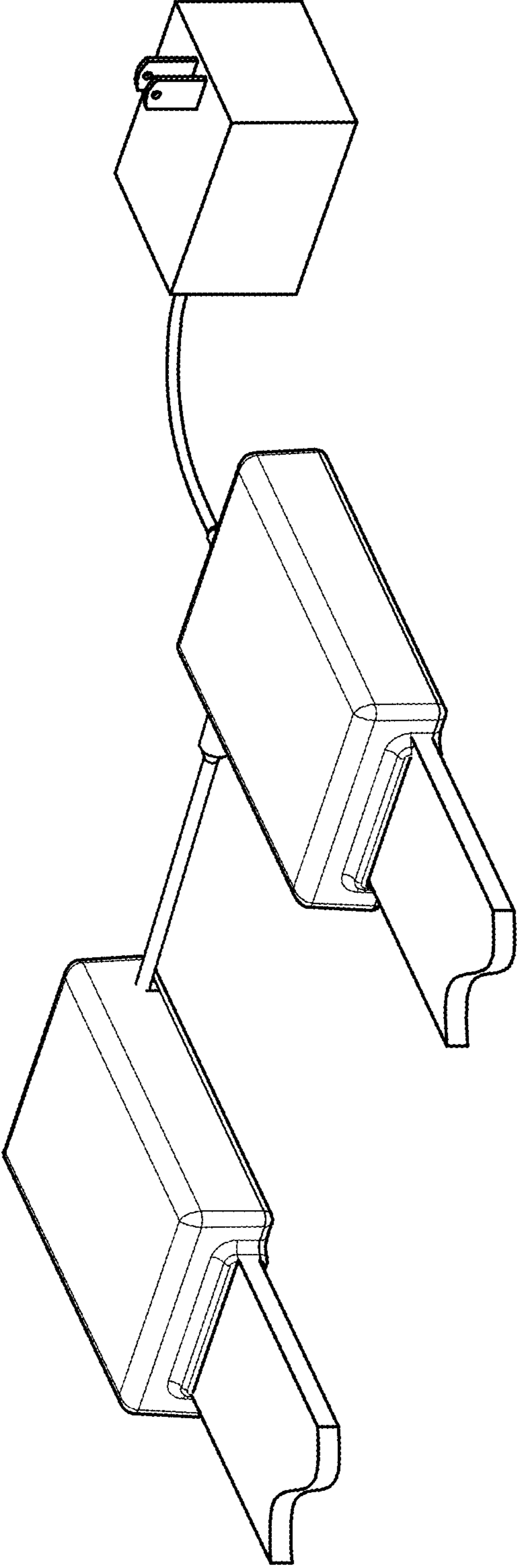


FIG. 11

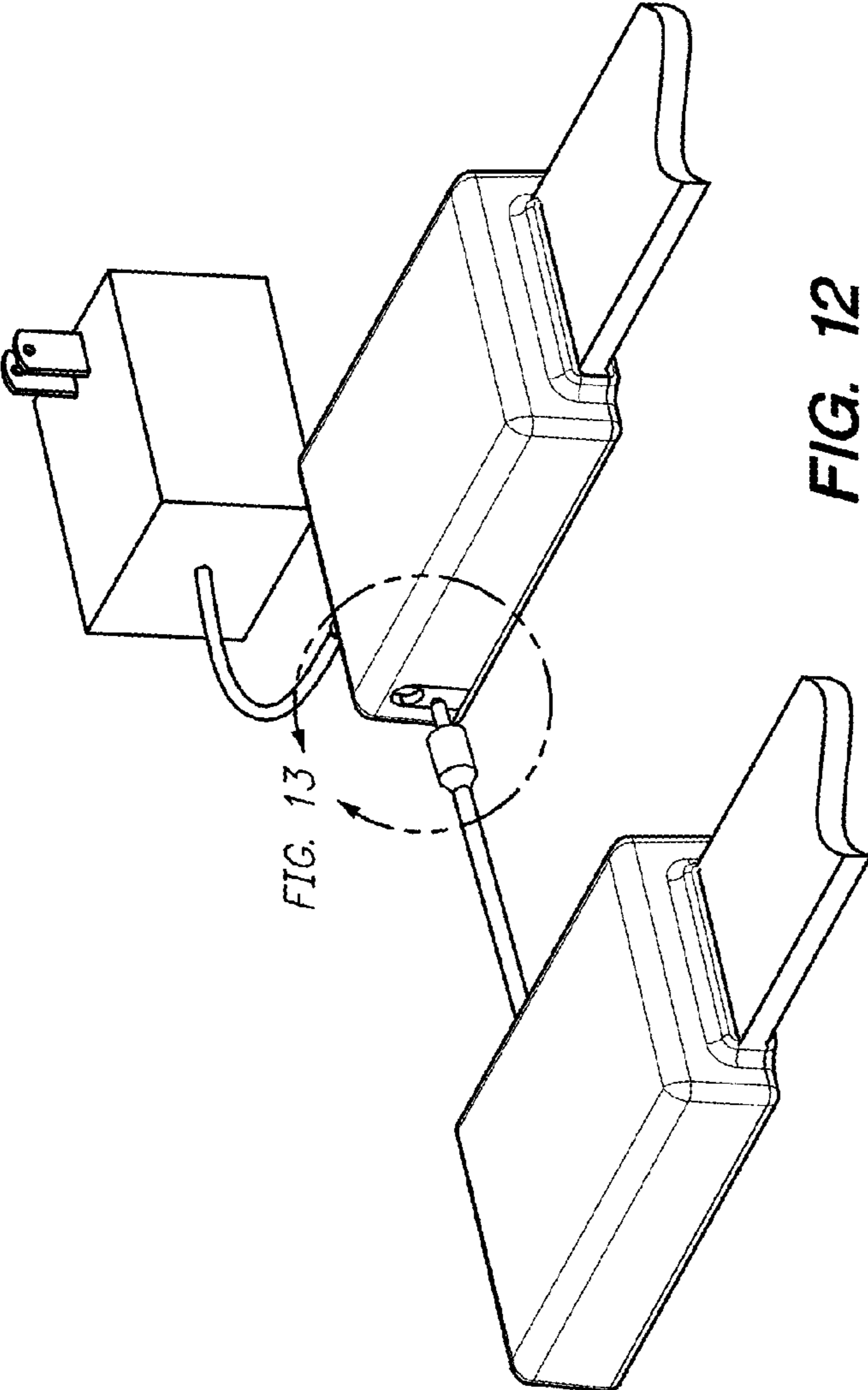


FIG. 12

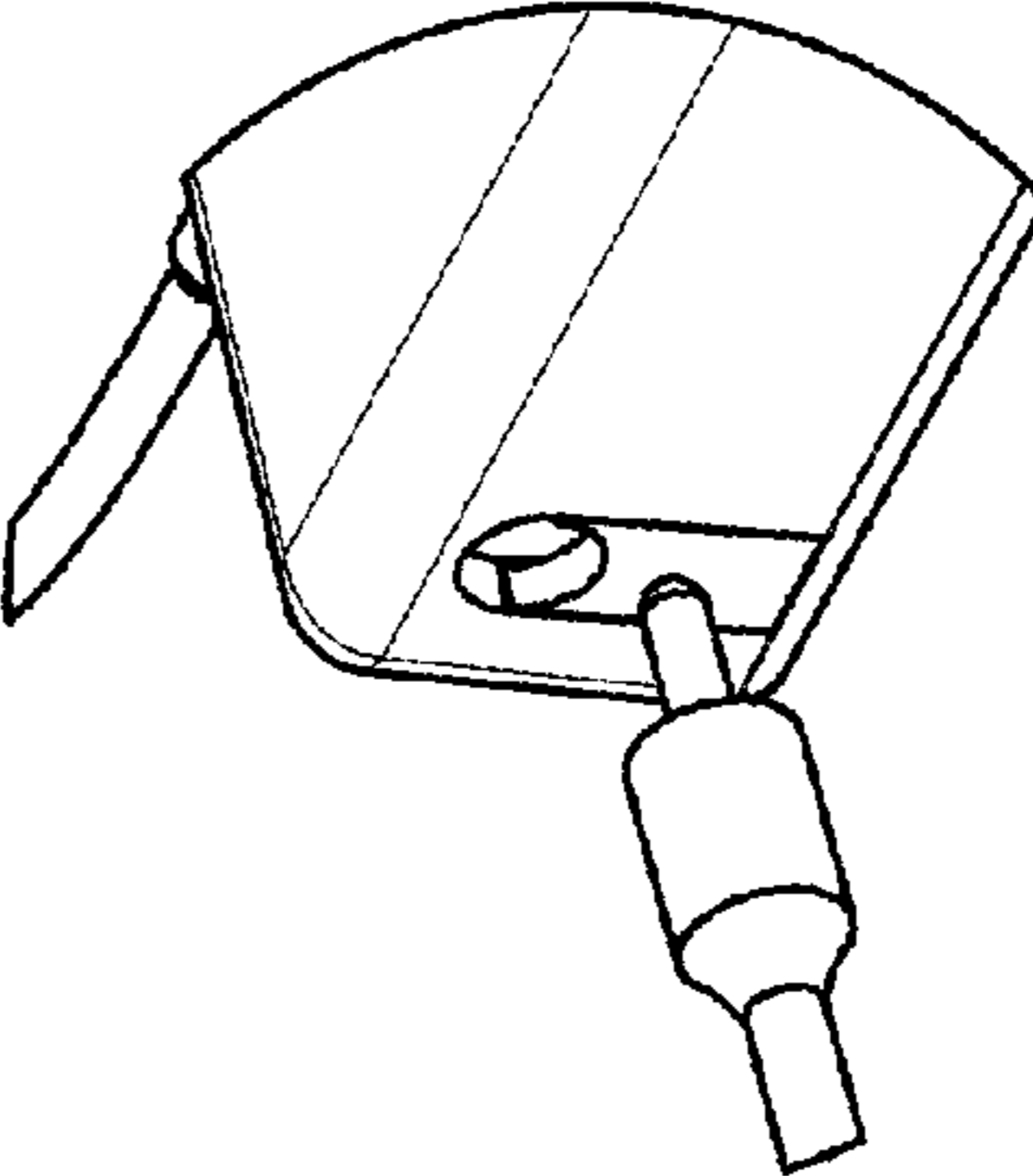


FIG. 13

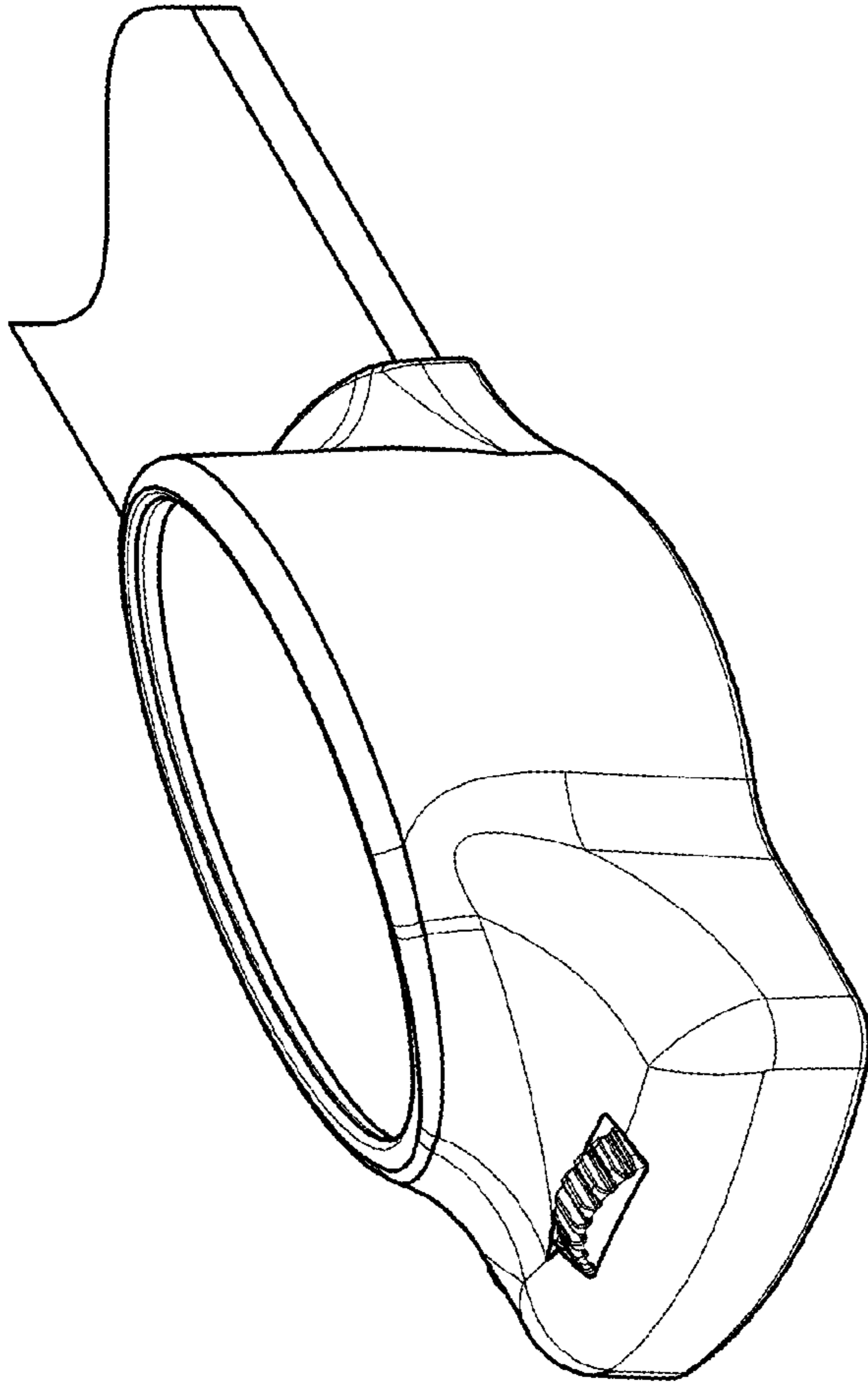


FIG. 14

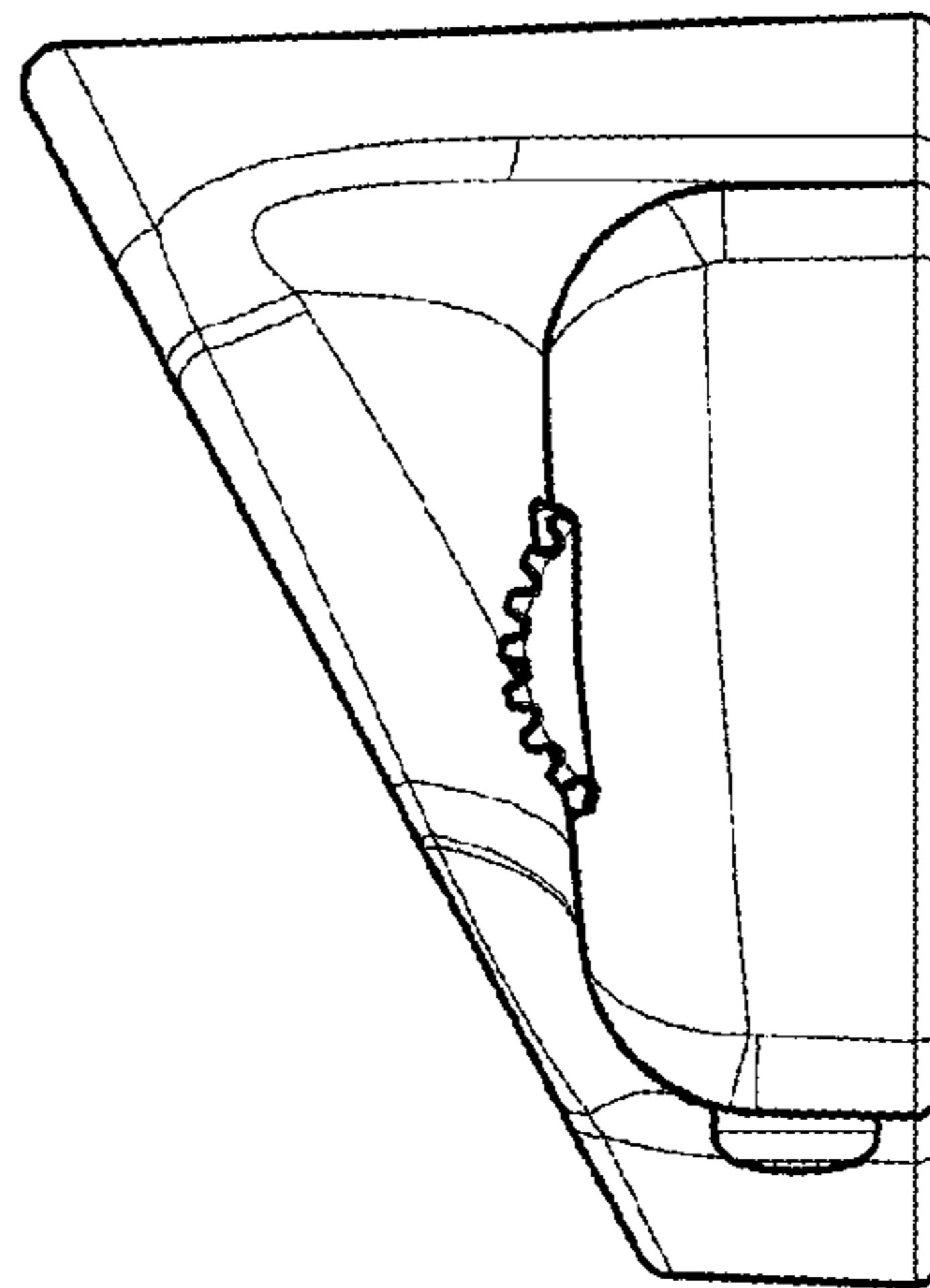


FIG. 15

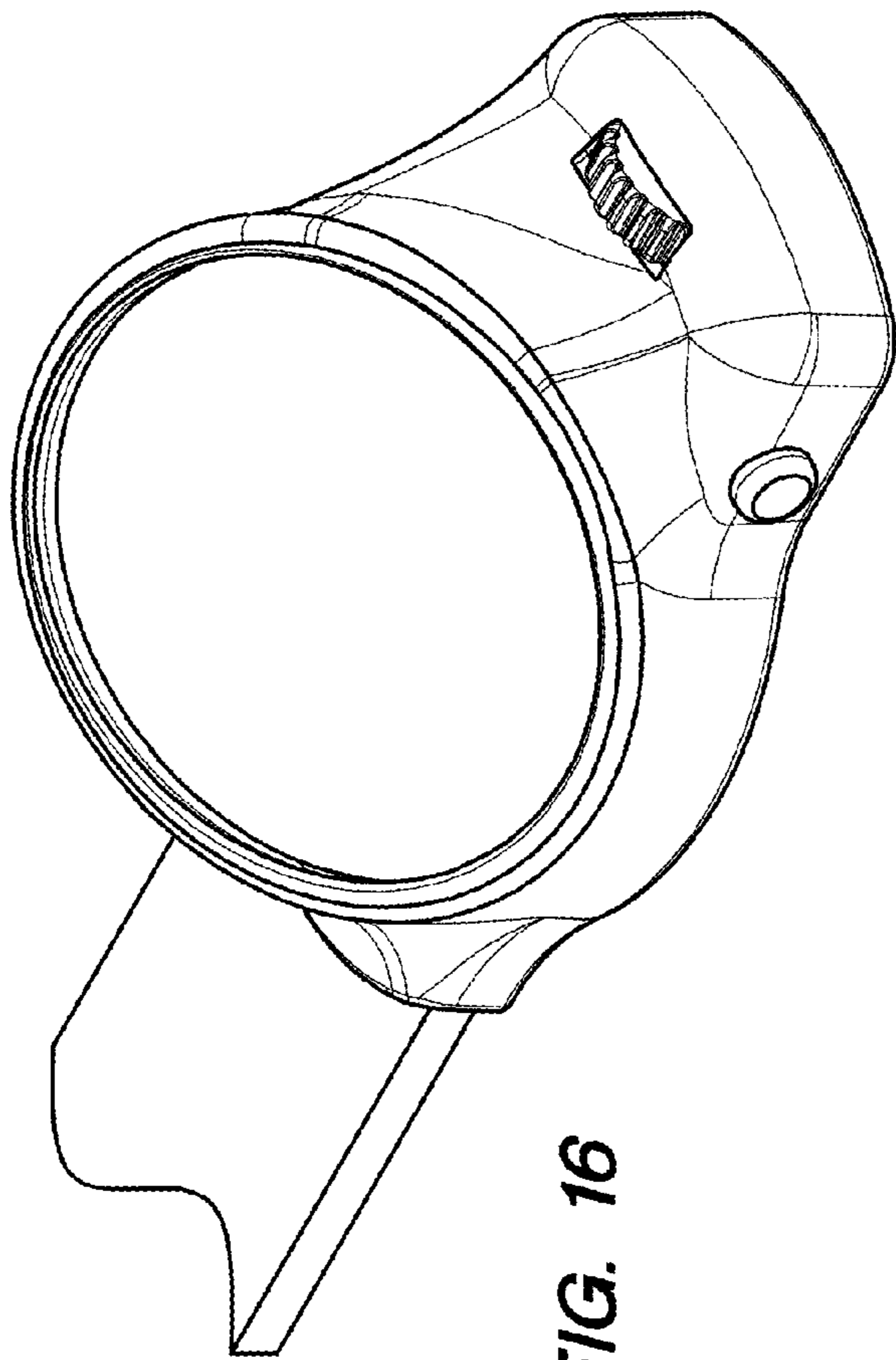


FIG. 16

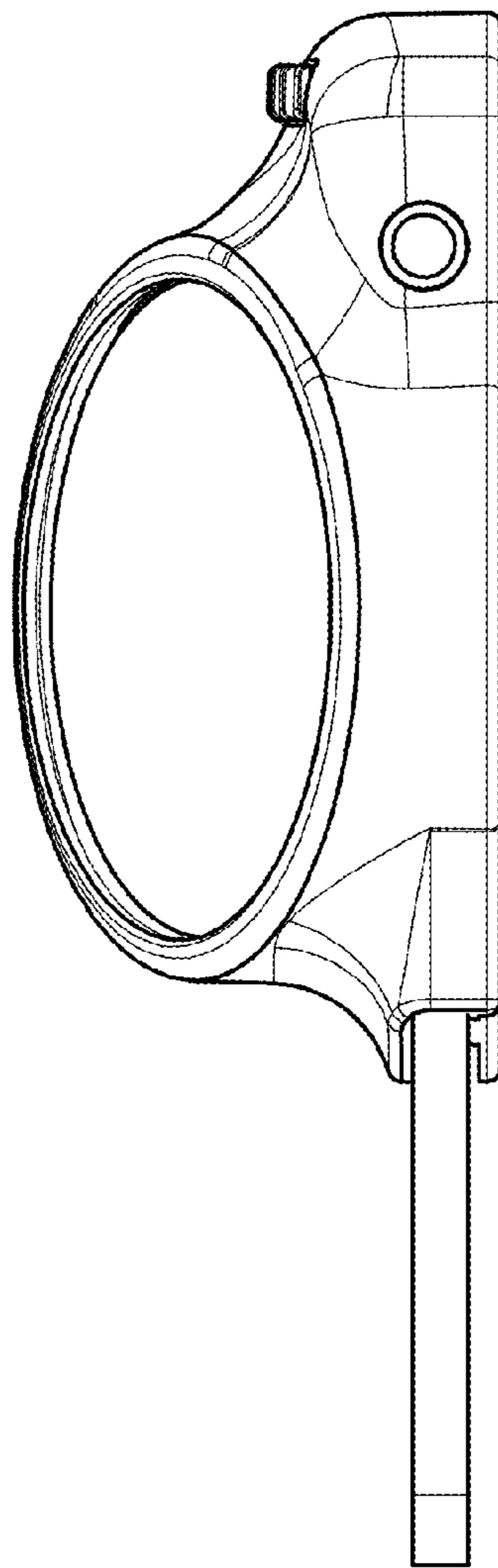


FIG. 17

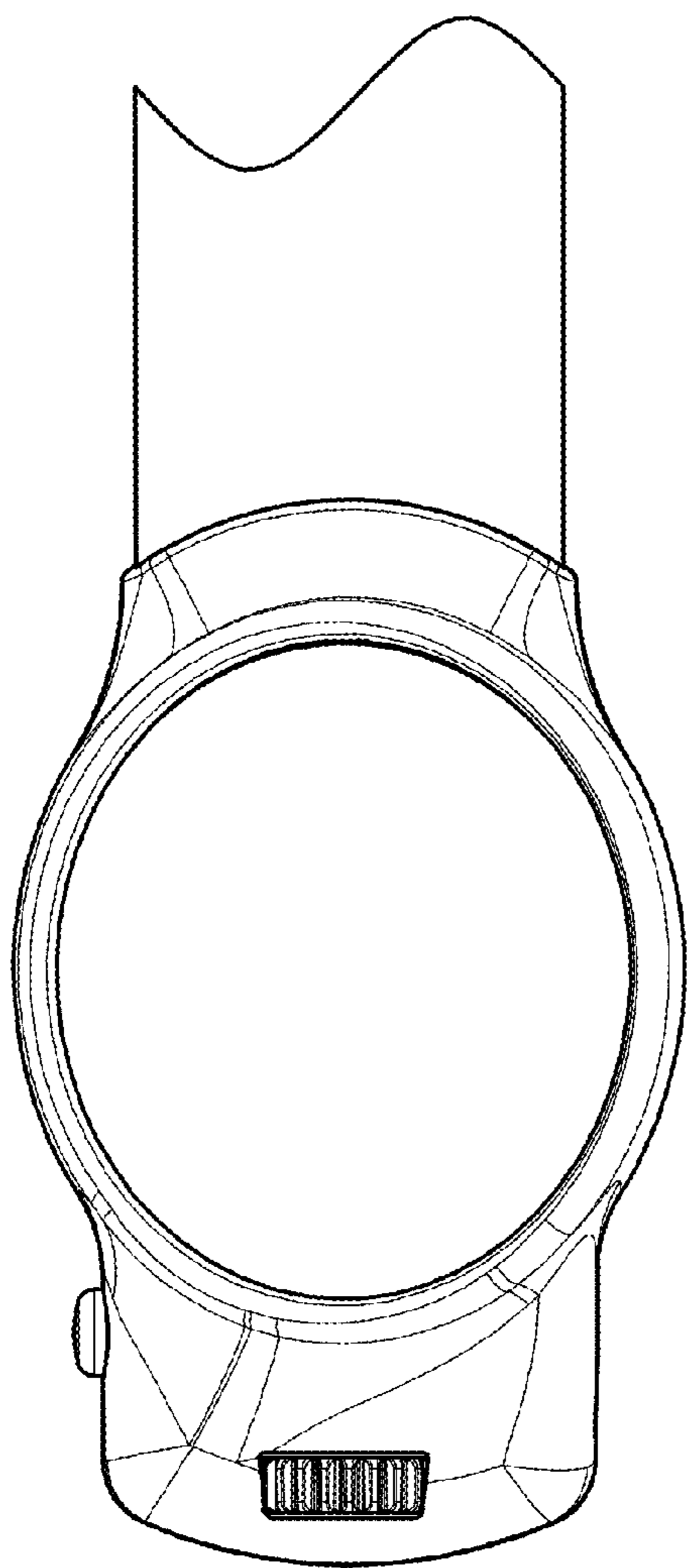


FIG. 18

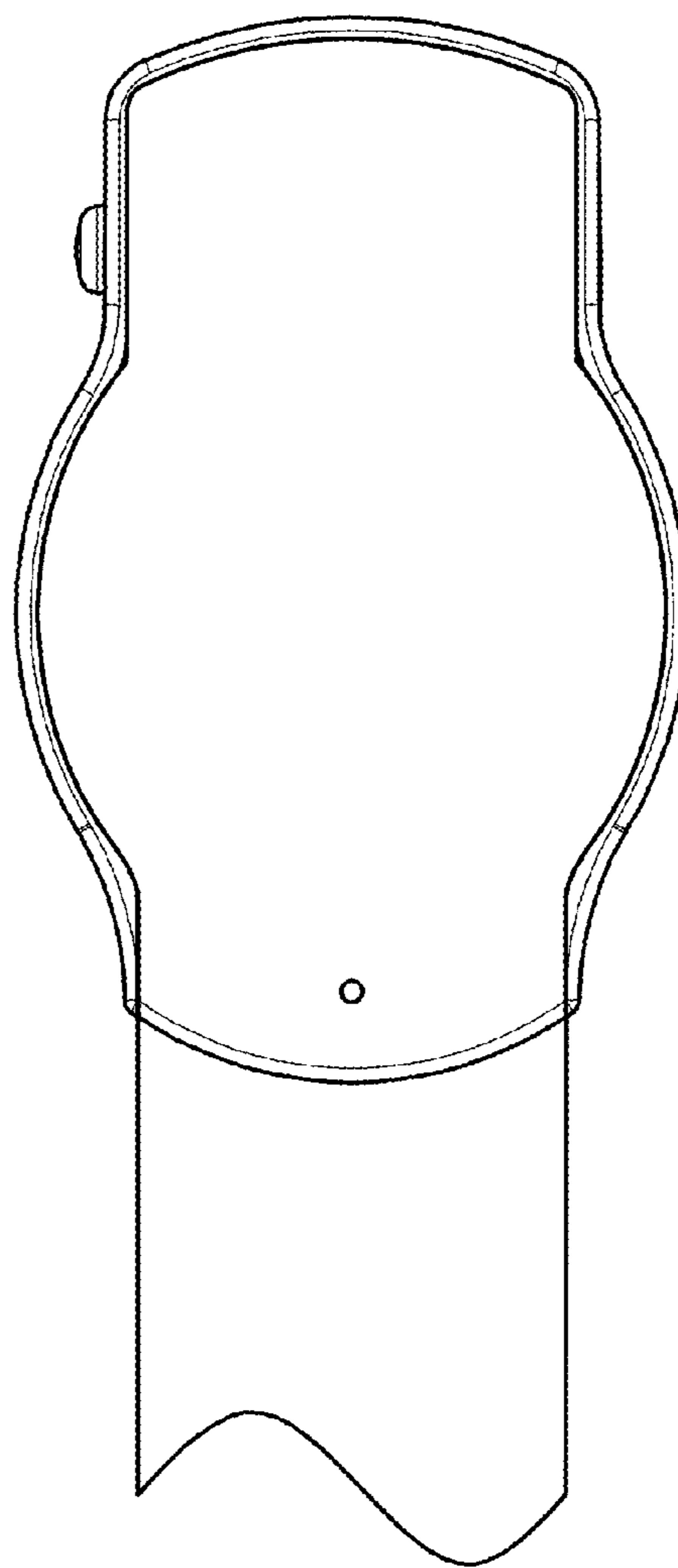


FIG. 19

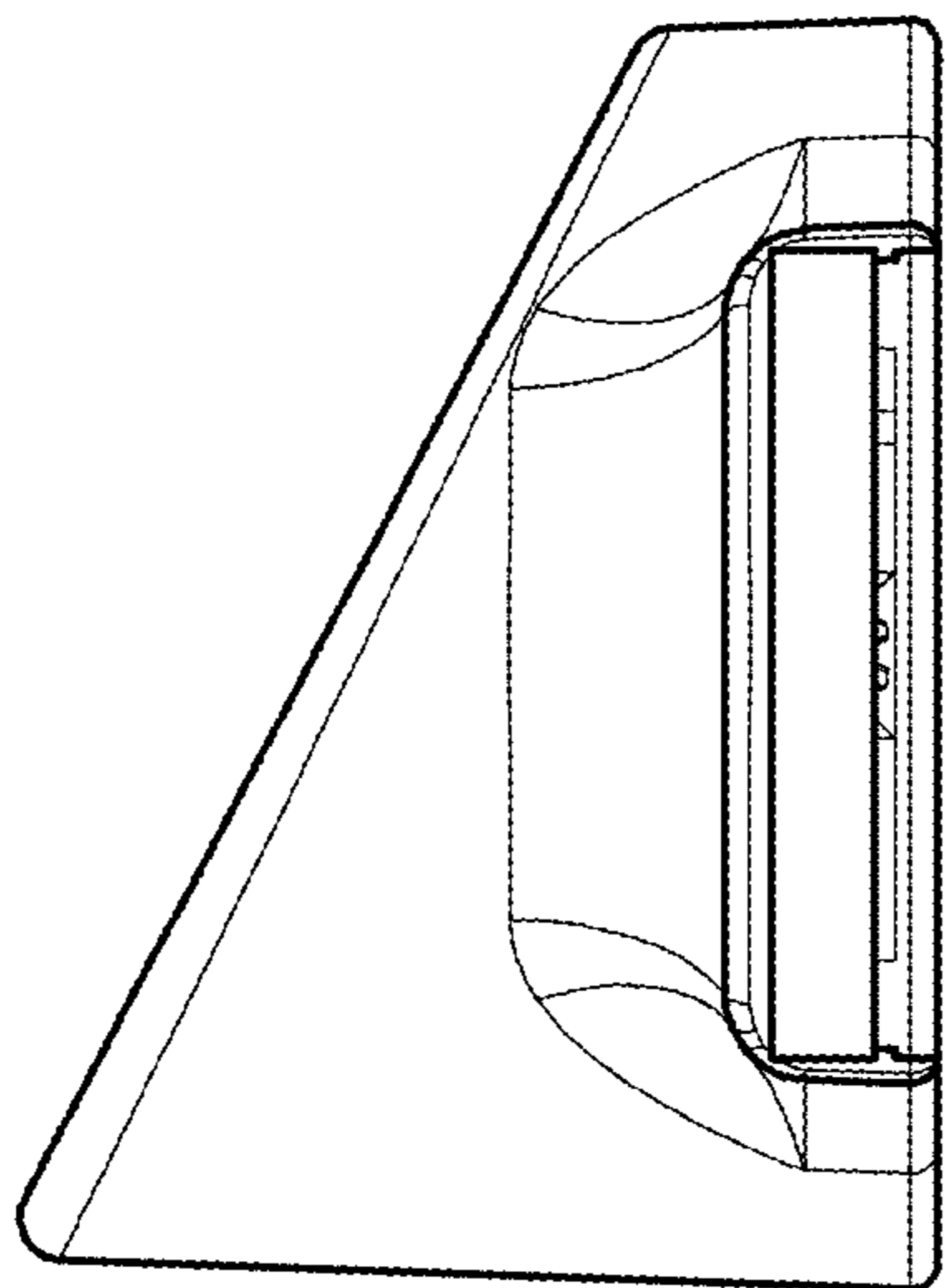


FIG. 20

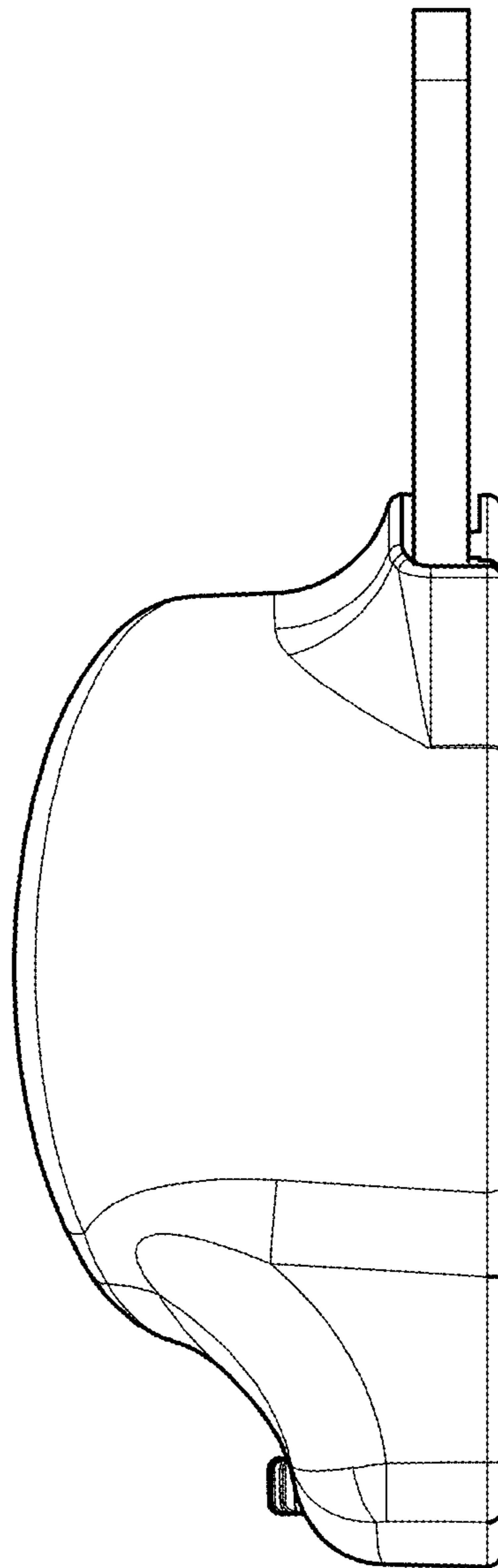


FIG. 21

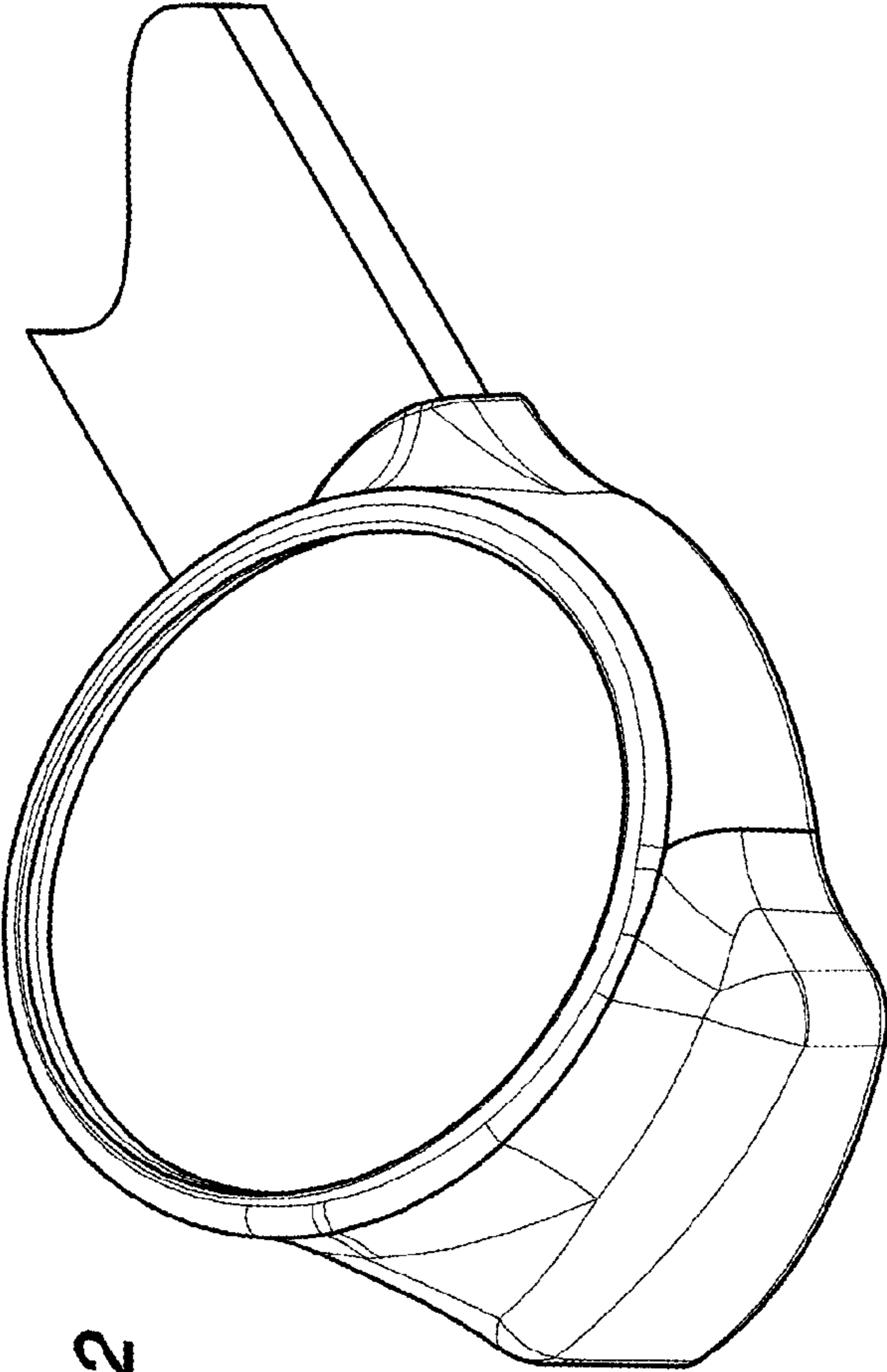


FIG. 22

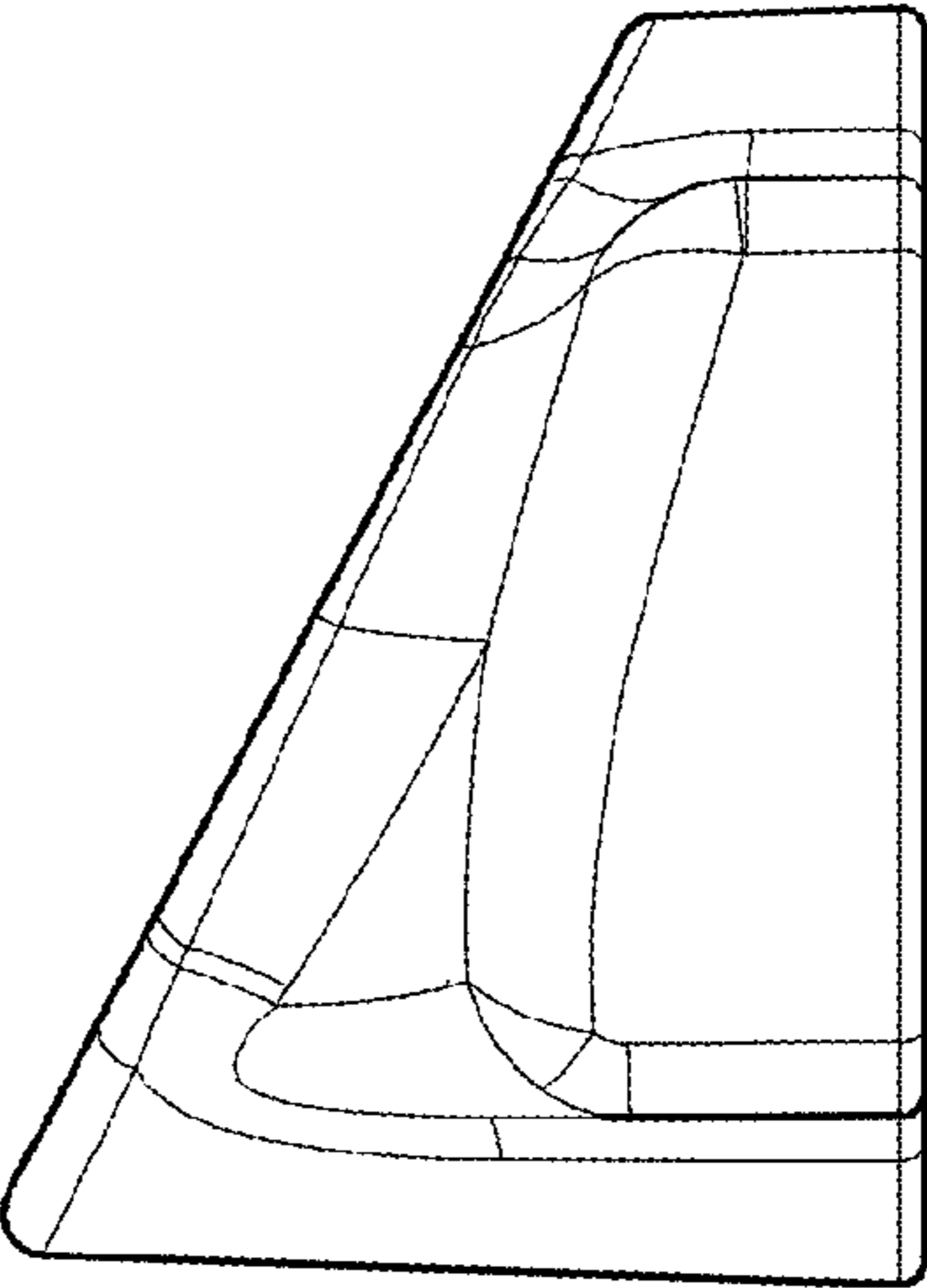


FIG. 23

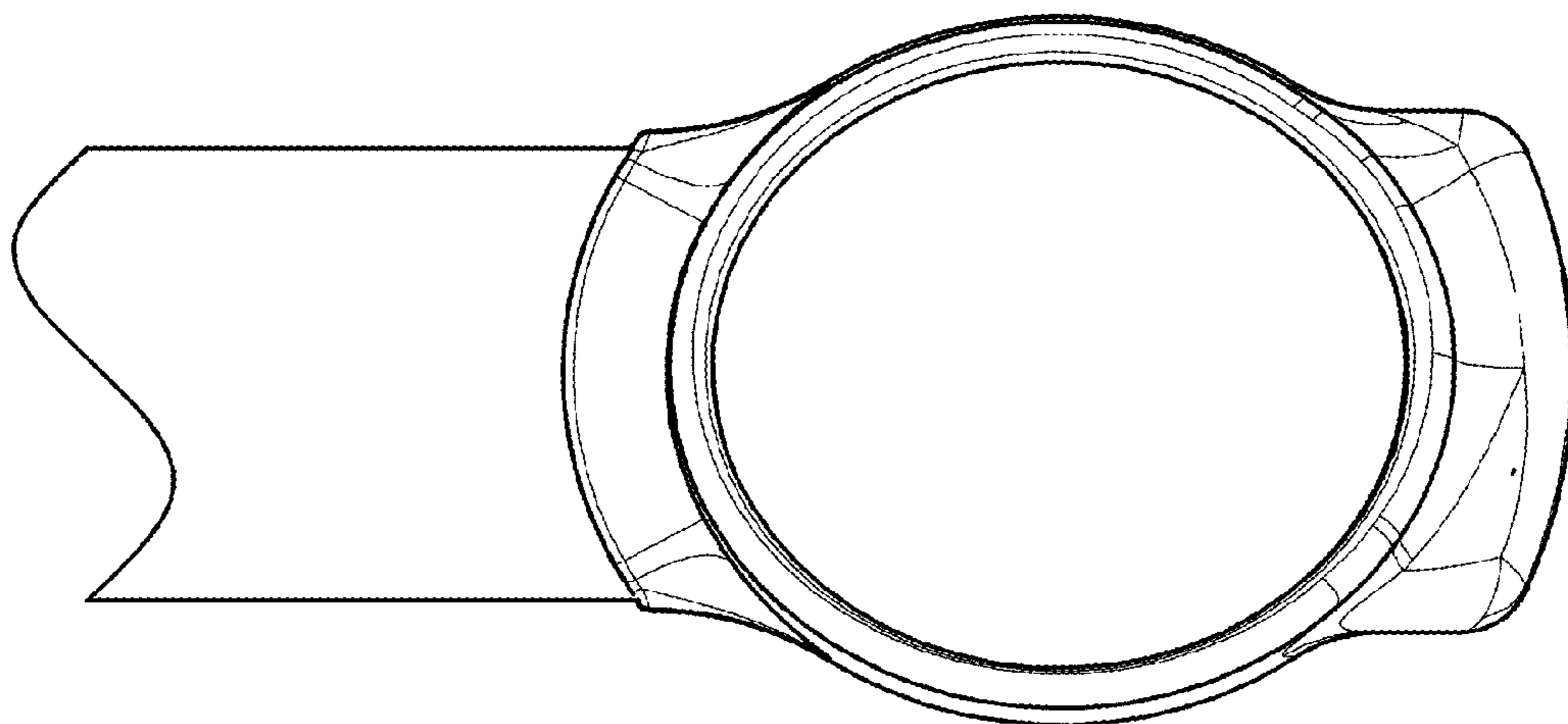


FIG. 24

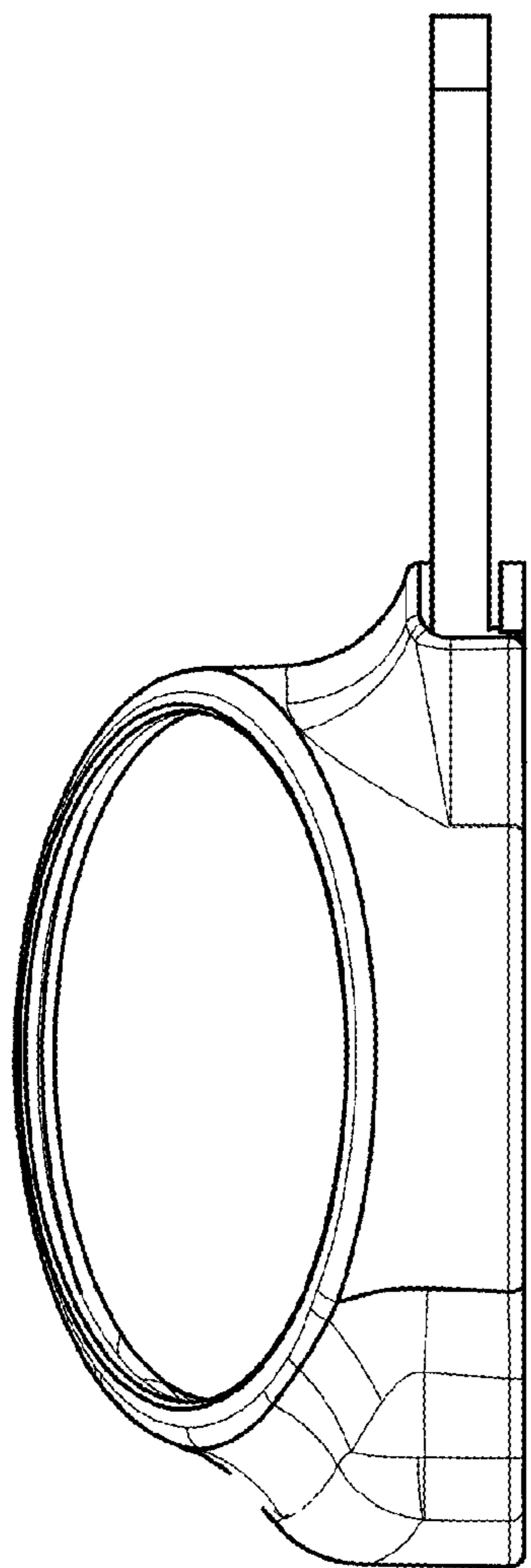


FIG. 25

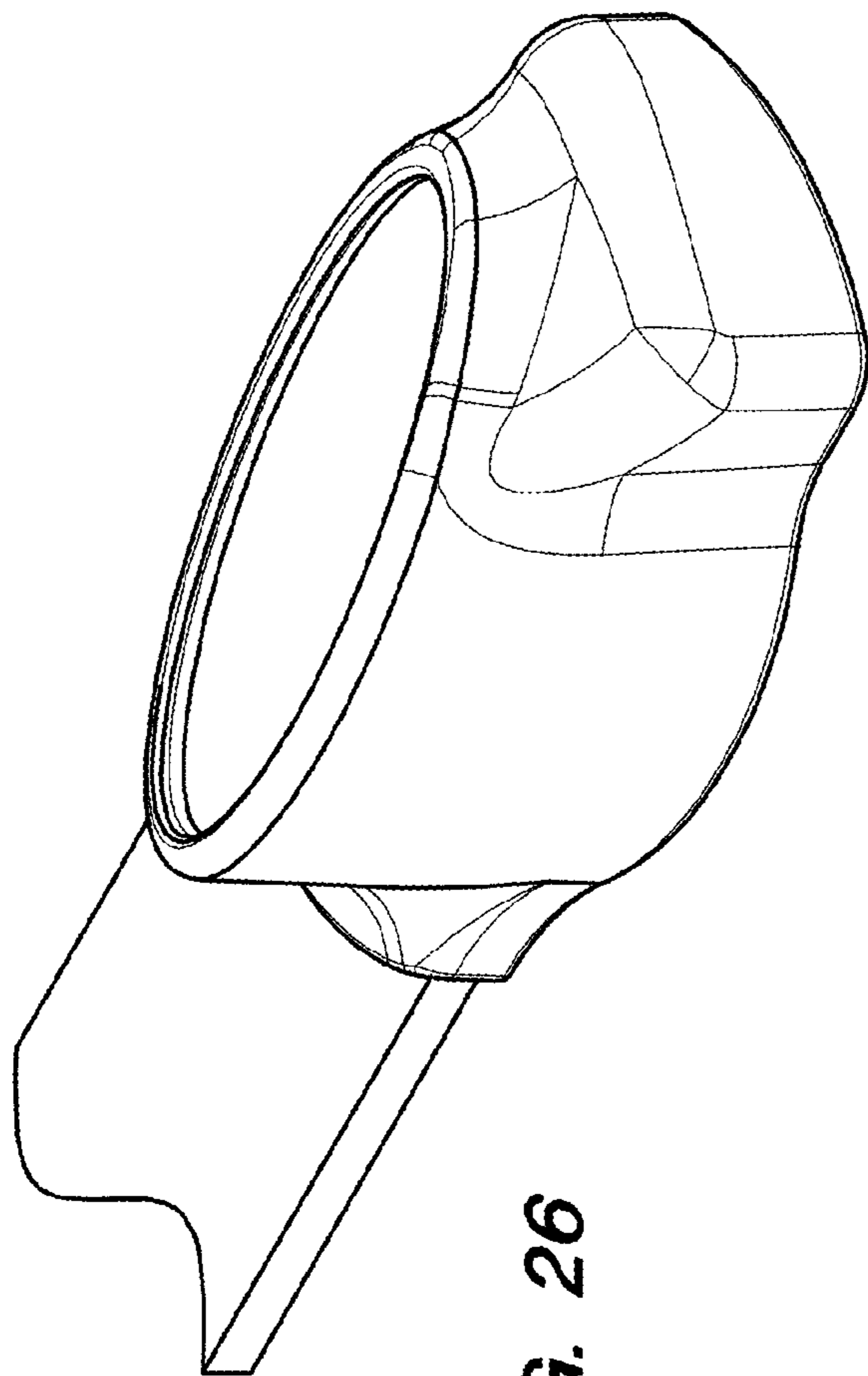


FIG. 26

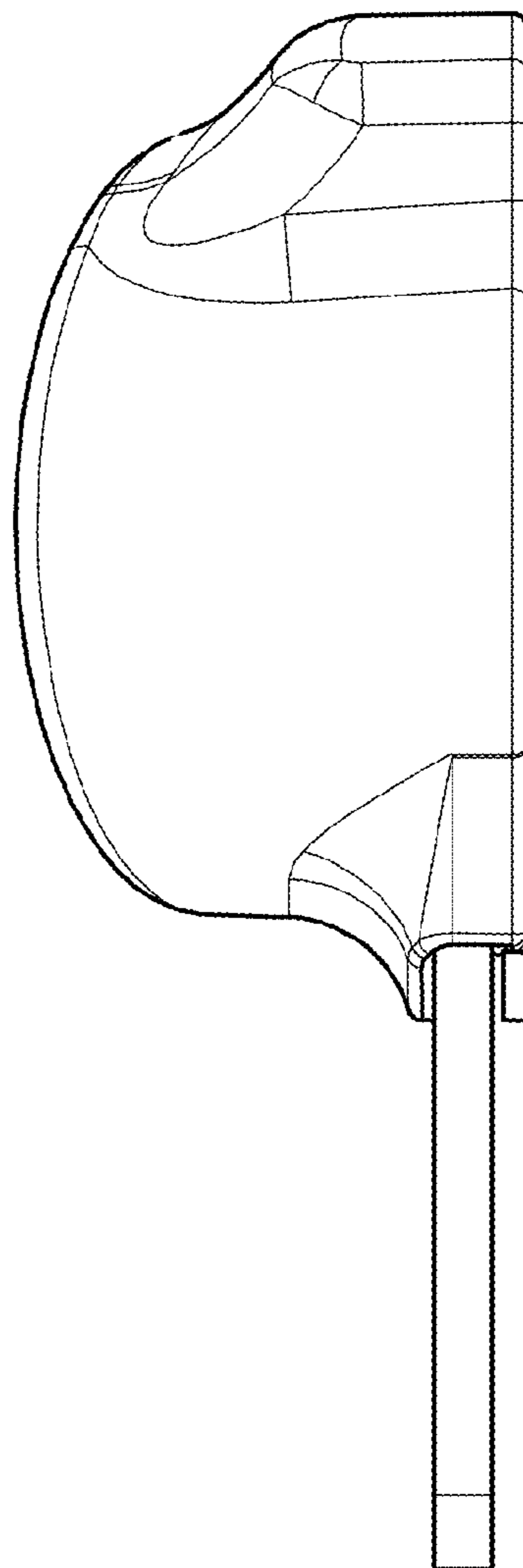


FIG. 27

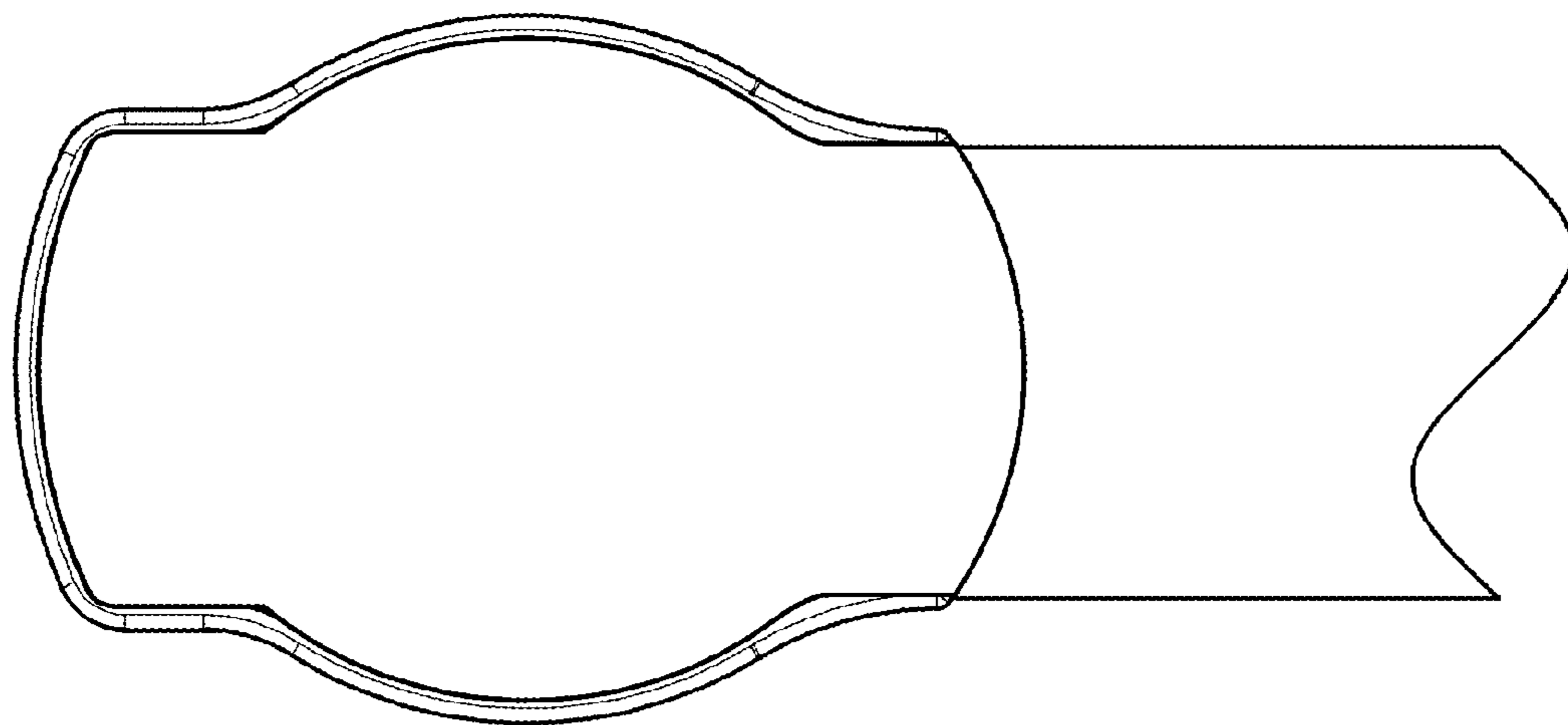


FIG. 29

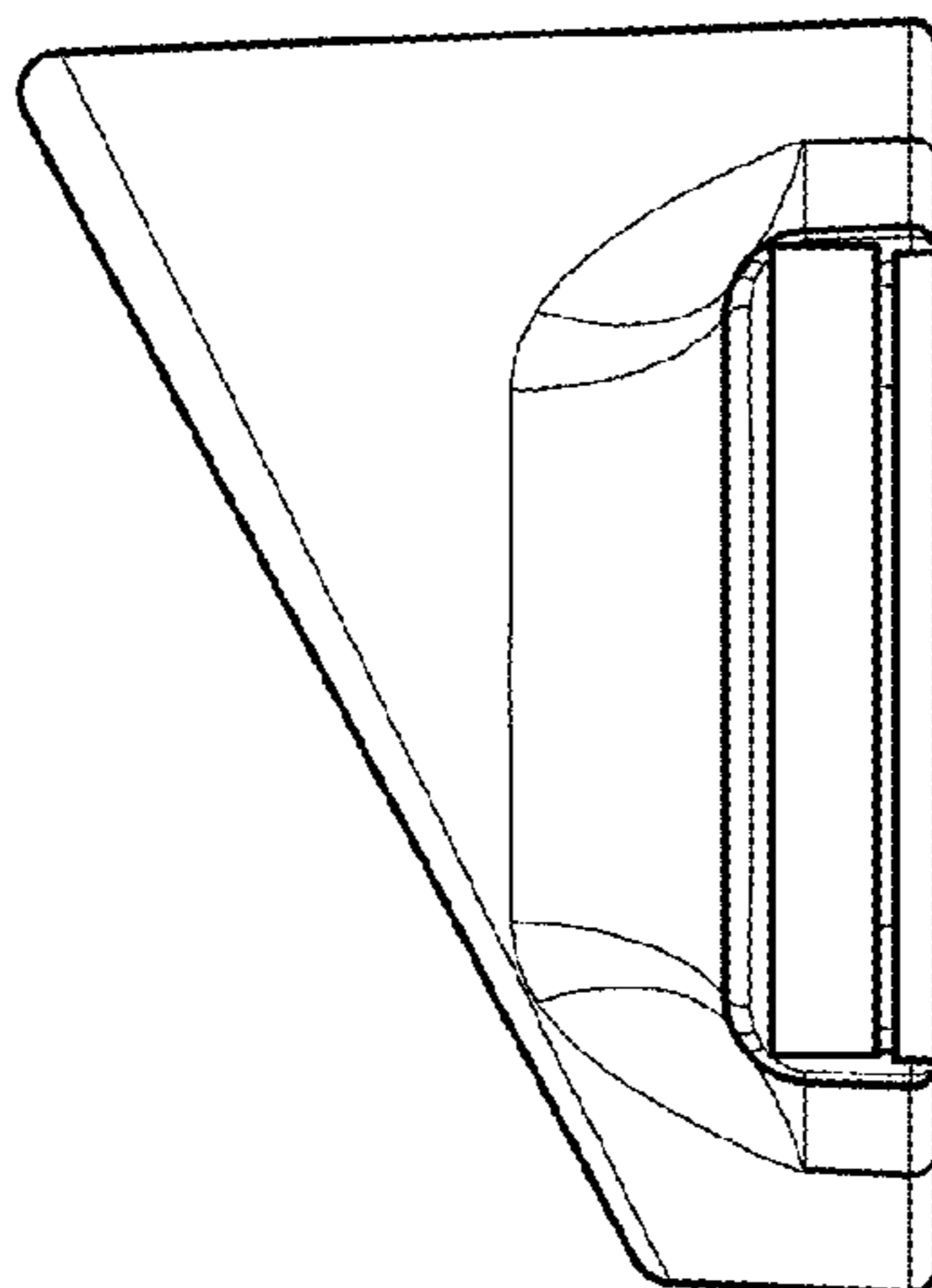


FIG. 28