



US00D691585S

(12) **United States Design Patent**
Schul et al.

(10) **Patent No.:** **US D691,585 S**
(45) **Date of Patent:** **** Oct. 15, 2013**

(54) **SPEAKER FRAME SYSTEM**

(75) Inventors: **Eran Schul**, St. Paul, MN (US);
Jonathan Erbacher, Minneapolis, MN
(US); **Avner Sadot**, Tel-Aviv (IL)

(73) Assignee: **Imation Corp.**, Oakdale, MN (US)

(**) Term: **14 Years**

(21) Appl. No.: **29/410,496**

(22) Filed: **Jan. 9, 2012**

(51) **LOC (9) Cl.** **14-01**

(52) **U.S. Cl.**
USPC **D14/209.1**; D14/204

(58) **Field of Classification Search**
USPC D14/204, 207, 210–216, 172, 209.1;
181/143–144, 147–148, 150–153, 157, 198–199;
381/300–303, 306, 332–333, 336, 345, 361–364,
381/386–388

See application file for complete search history.

(56) **References Cited**

U.S. PATENT DOCUMENTS

D361,071 S 8/1995 Mark
D461,187 S 8/2002 Andre et al.

(Continued)

OTHER PUBLICATIONS

Filing Receipt for U.S Appl. No. 61/569,806, filed Dec. 13, 2011.

(Continued)

Primary Examiner — Prabhakar Deshmukh

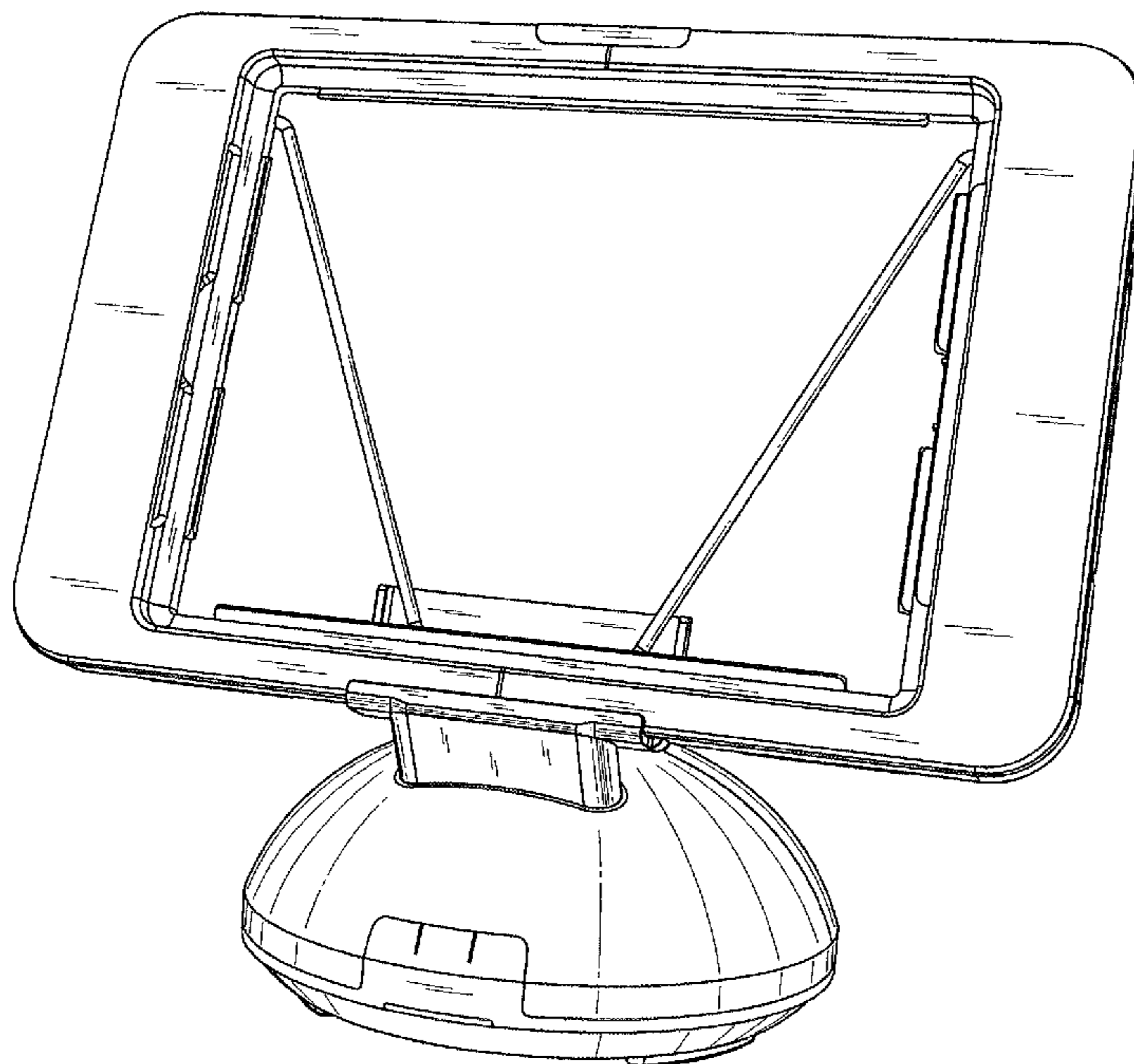
(74) *Attorney, Agent, or Firm* — Kenneth E. Levitt; Dorsey & Whitney LLP

(57) **CLAIM**
The ornamental design for a speaker frame system, as shown.

DESCRIPTION

FIG. 1 is a perspective view of a speaker frame system;
FIG. 2 is a front view of the speaker frame system of FIG. 1;
FIG. 3 is a rear view of the speaker frame system of FIG. 1;
FIG. 4 is a left side view of the speaker frame system of FIG. 1;
FIG. 5 is a right side view of the speaker frame system of FIG. 1;
FIG. 6 is a top view of the speaker frame system of FIG. 1;
FIG. 7 is a bottom view of the speaker frame system of FIG. 1;
FIG. 8 is a perspective view of a speaker frame of the speaker frame system of FIG. 1;
FIG. 9 is a front view of the speaker frame of FIG. 8;
FIG. 10 is a rear view of the speaker frame of FIG. 8;
FIG. 11 is a left side view of the speaker frame of FIG. 8;
FIG. 12 is a right side view of the speaker frame of FIG. 8;
FIG. 13 is a top view of the speaker frame of FIG. 8;
FIG. 14 is a bottom view of the speaker frame of FIG. 8;
FIG. 15 is a perspective view of a base of the speaker frame system of FIG. 1;
FIG. 16 is a front view of the base of FIG. 15;
FIG. 17 is a rear view of the base of FIG. 15;
FIG. 18 is a left side view of the base of FIG. 15;
FIG. 19 is a right side view of the base of FIG. 15;
FIG. 20 is a top view of the base of FIG. 15; and
FIG. 21 is a bottom view of the base of FIG. 15.

1 Claim, 21 Drawing Sheets



(56)

References Cited

U.S. PATENT DOCUMENTS

D476,308 S * 6/2003 Bhavnani D14/197
D527,722 S * 9/2006 Yeh D14/209.1
D535,942 S * 1/2007 Kim D13/108
7,212,110 B1 5/2007 Martin et al.
D551,652 S 9/2007 Nakamura
D552,053 S * 10/2007 Kim D14/499
D571,356 S 6/2008 Smith
D575,766 S 8/2008 Harris
D596,156 S * 7/2009 Morisawa D14/209.1
D610,569 S * 2/2010 Fiebel et al. D14/209.1
7,689,197 B2 * 3/2010 Laude et al. 455/344
D621,813 S * 8/2010 Wang et al. D14/209.1
D624,527 S * 9/2010 Ho et al. D14/209.1
D629,827 S 12/2010 Morenstein et al.
D645,847 S * 9/2011 Chau D14/217

D646,665 S 10/2011 Iijima
D654,473 S 2/2012 Paddock
D657,343 S 4/2012 Cho et al.
8,180,095 B2 * 5/2012 Zhang 381/387
2004/0014426 A1 1/2004 Moore
2008/0025172 A1 1/2008 Holden et al.

OTHER PUBLICATIONS

Filing Receipt and application for Israeli Design Application 51531,
filed Nov. 11, 2011.
Design U.S. Appl. No. 29/410,493, filed Jan. 9, 2012.
Design U.S. Appl. No. 29/410,487, filed Jan. 9, 2012.
U.S. Appl. No. 13/737,241, filed Jan. 9, 2013.
U.S. Appl. No. 13/737,172, filed Jan. 9, 2013.
U.S. Appl. No. 13/737,365, filed Jan. 9, 2013.

* cited by examiner

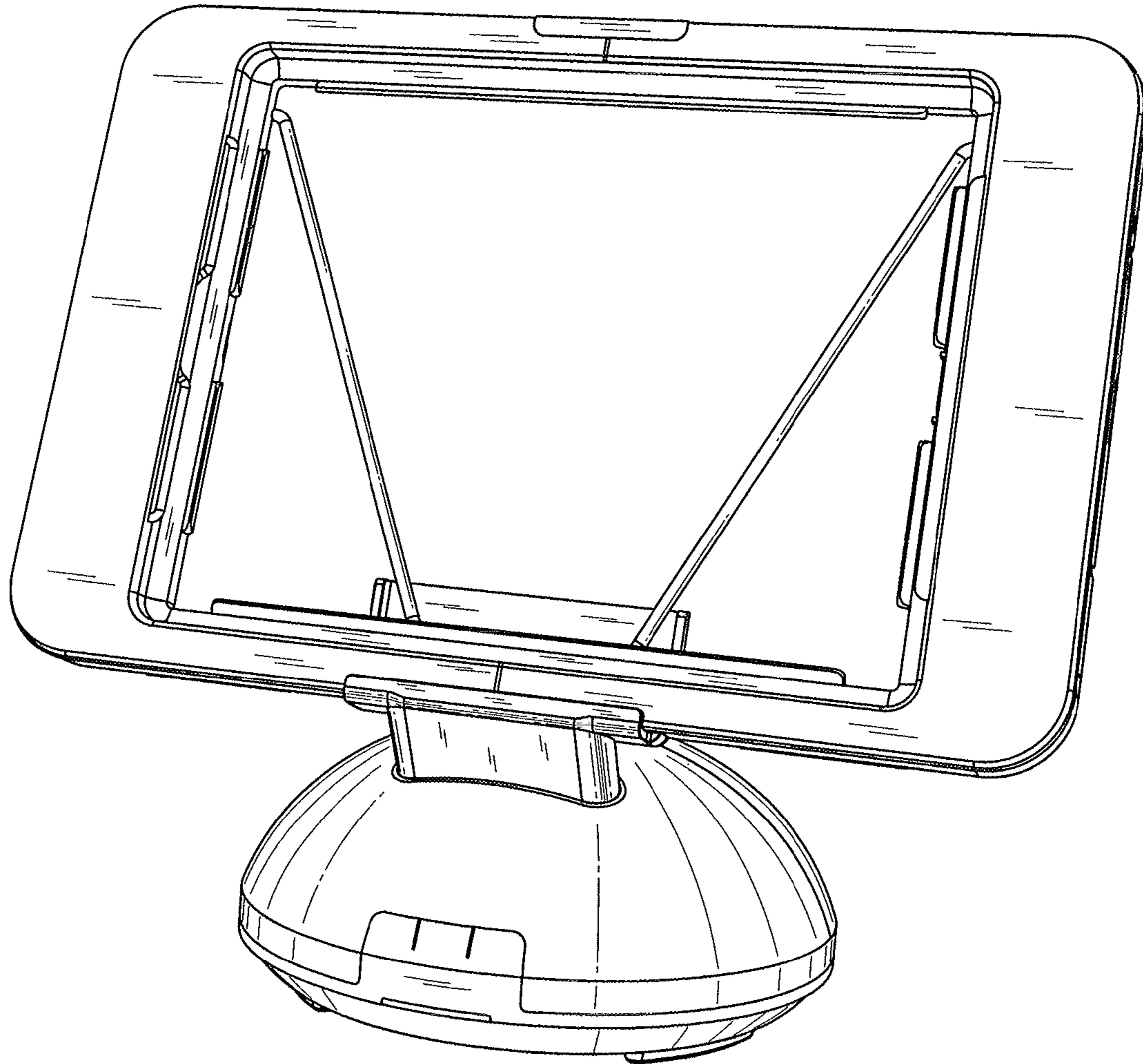


FIG. 1

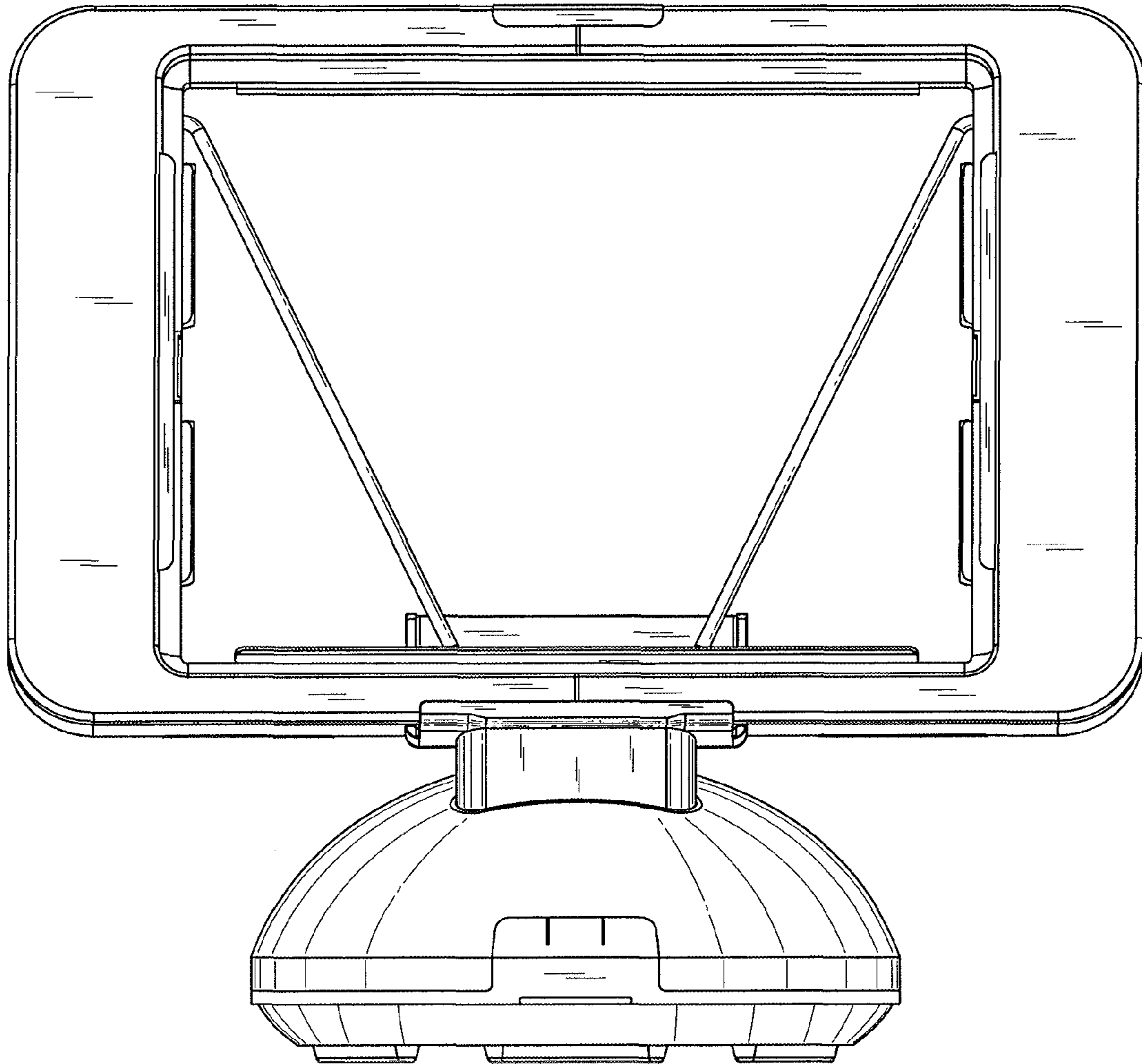


FIG. 2

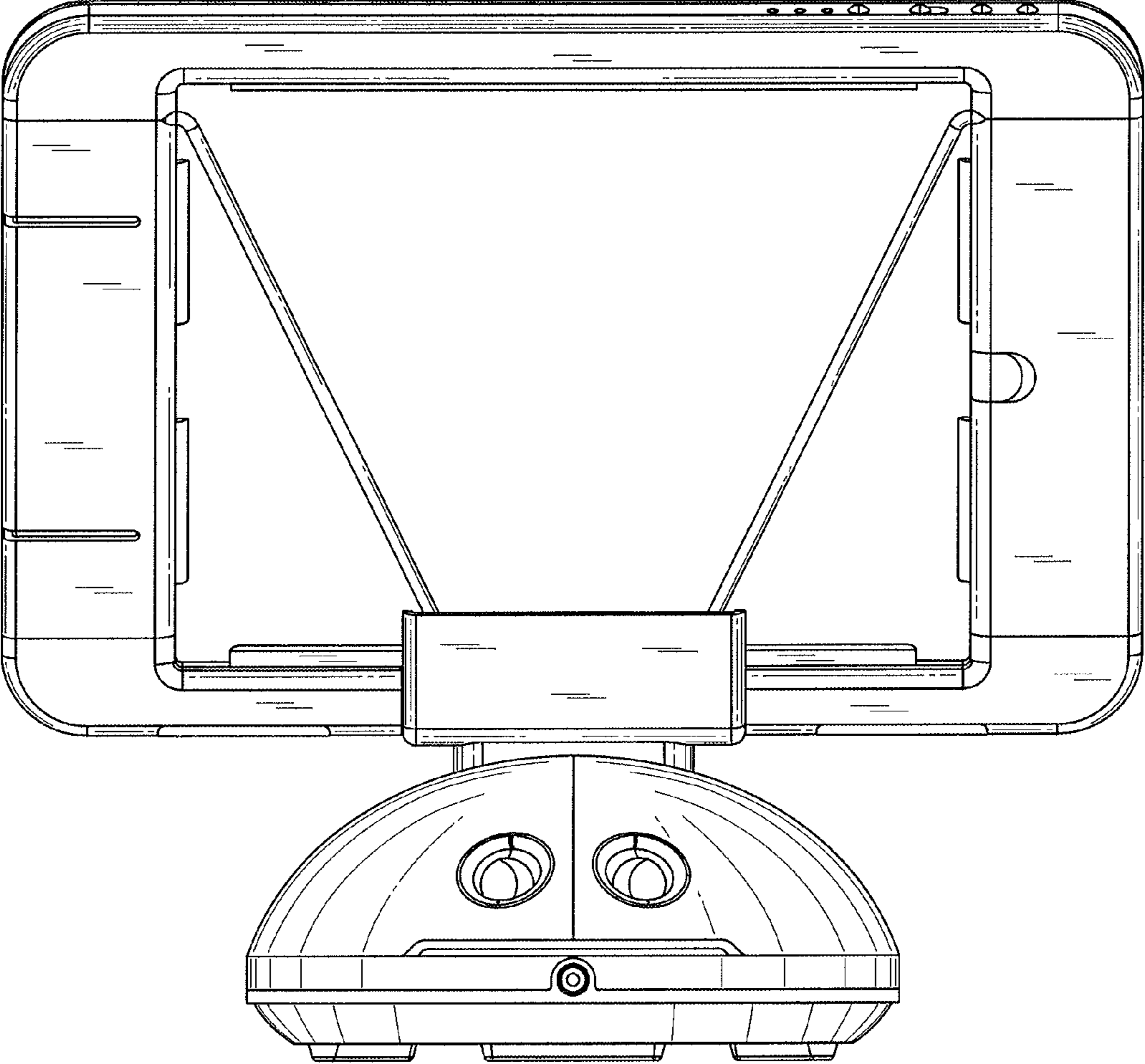


FIG. 3

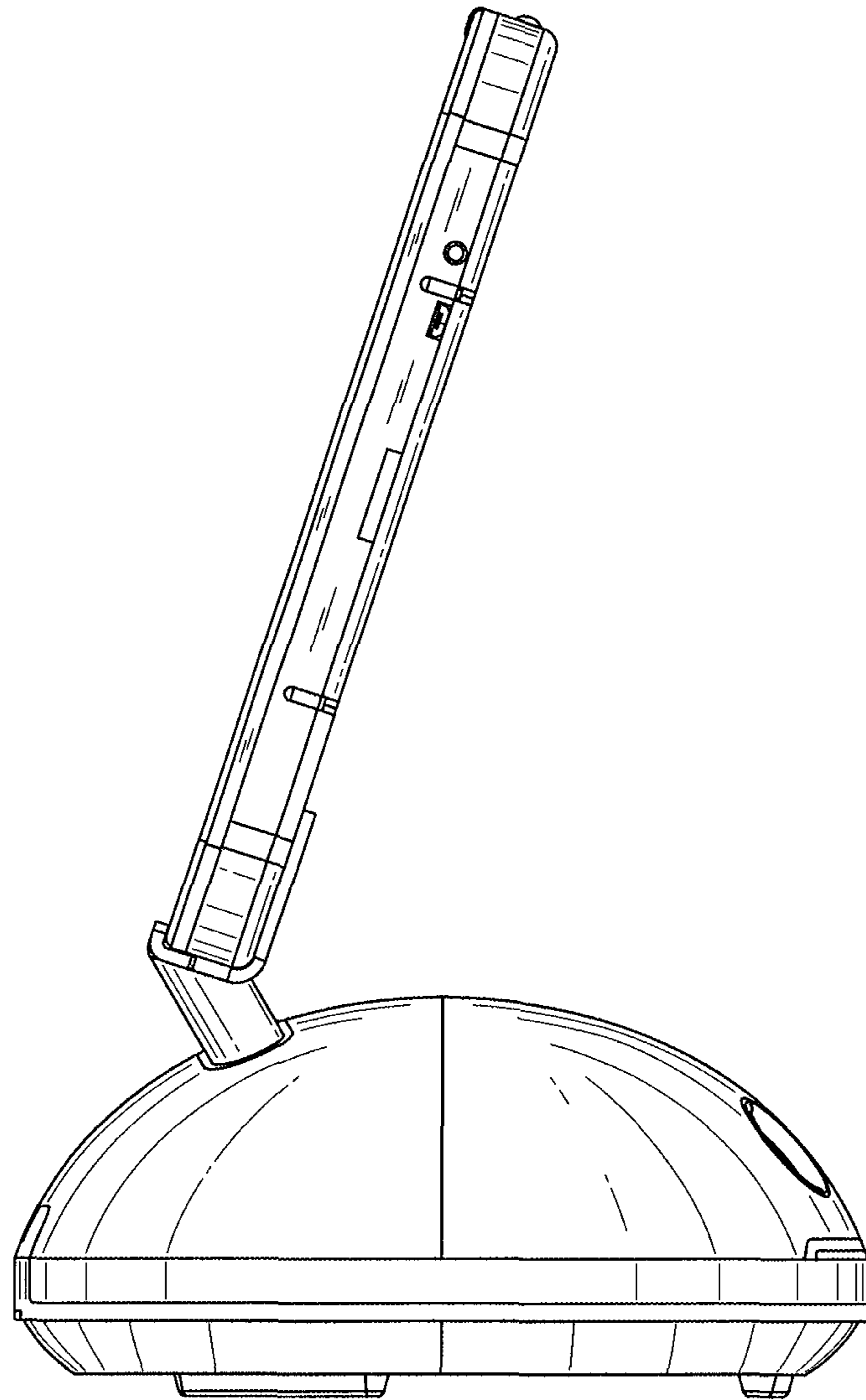


FIG. 4

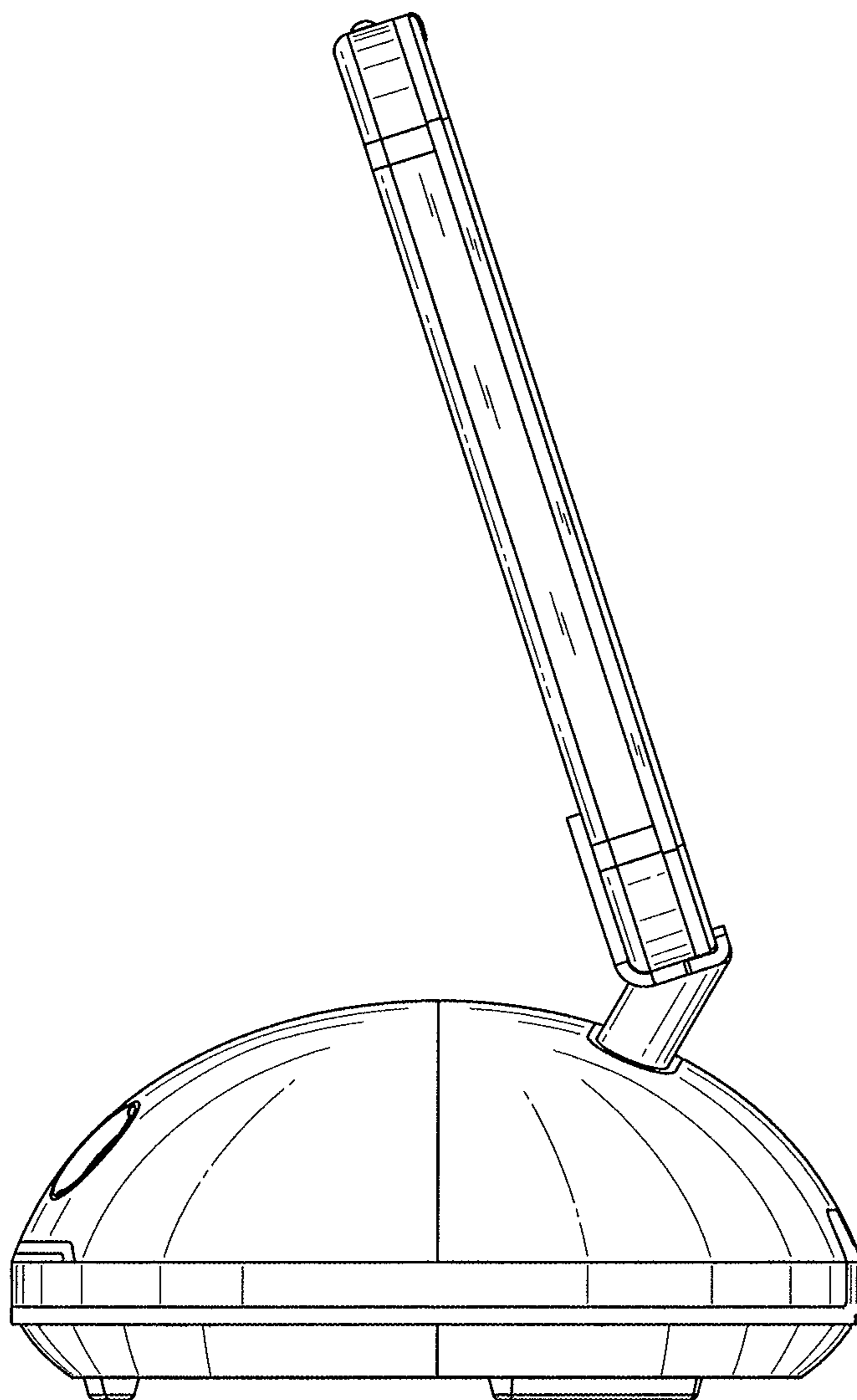


FIG. 5

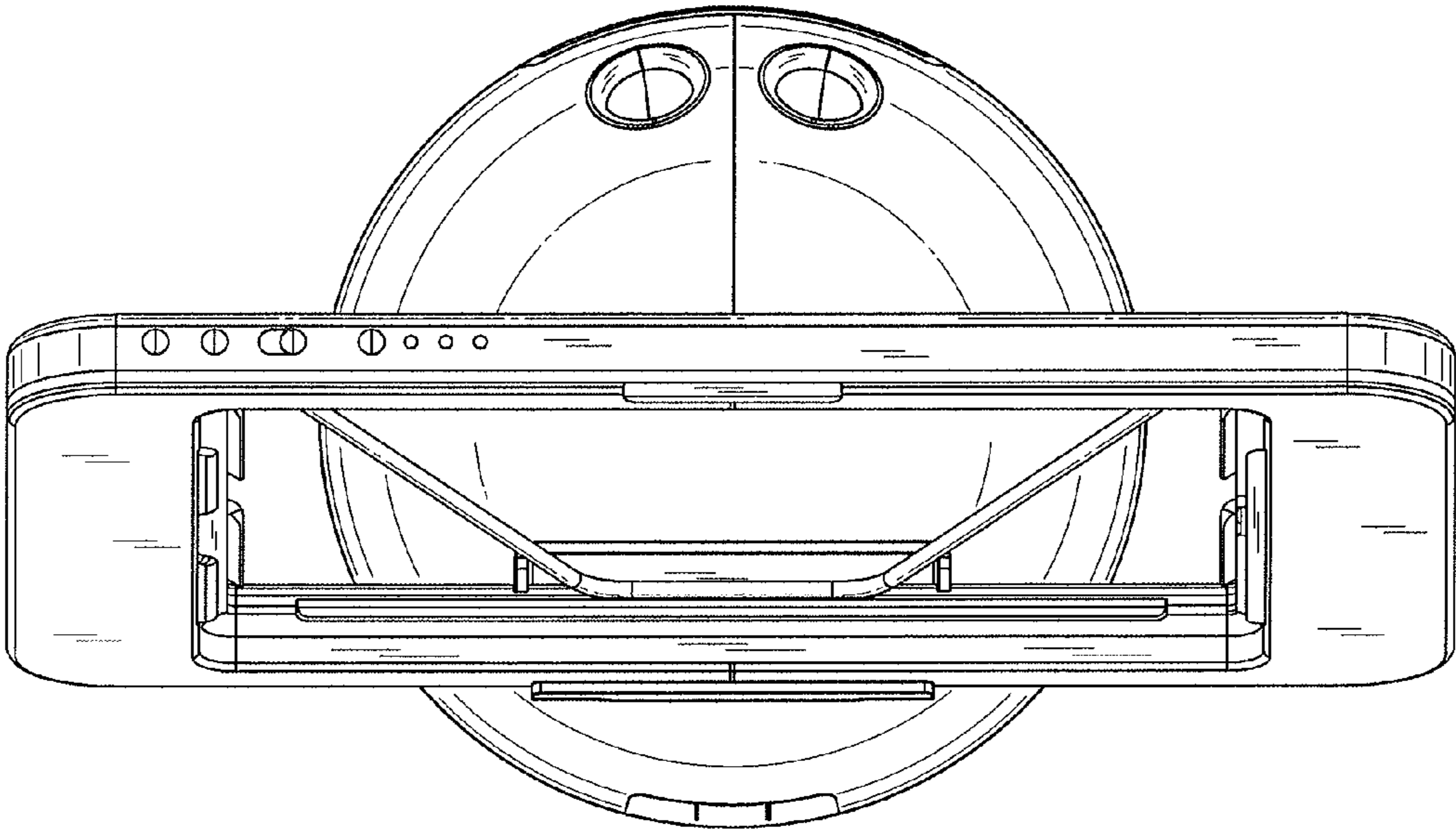


FIG. 6

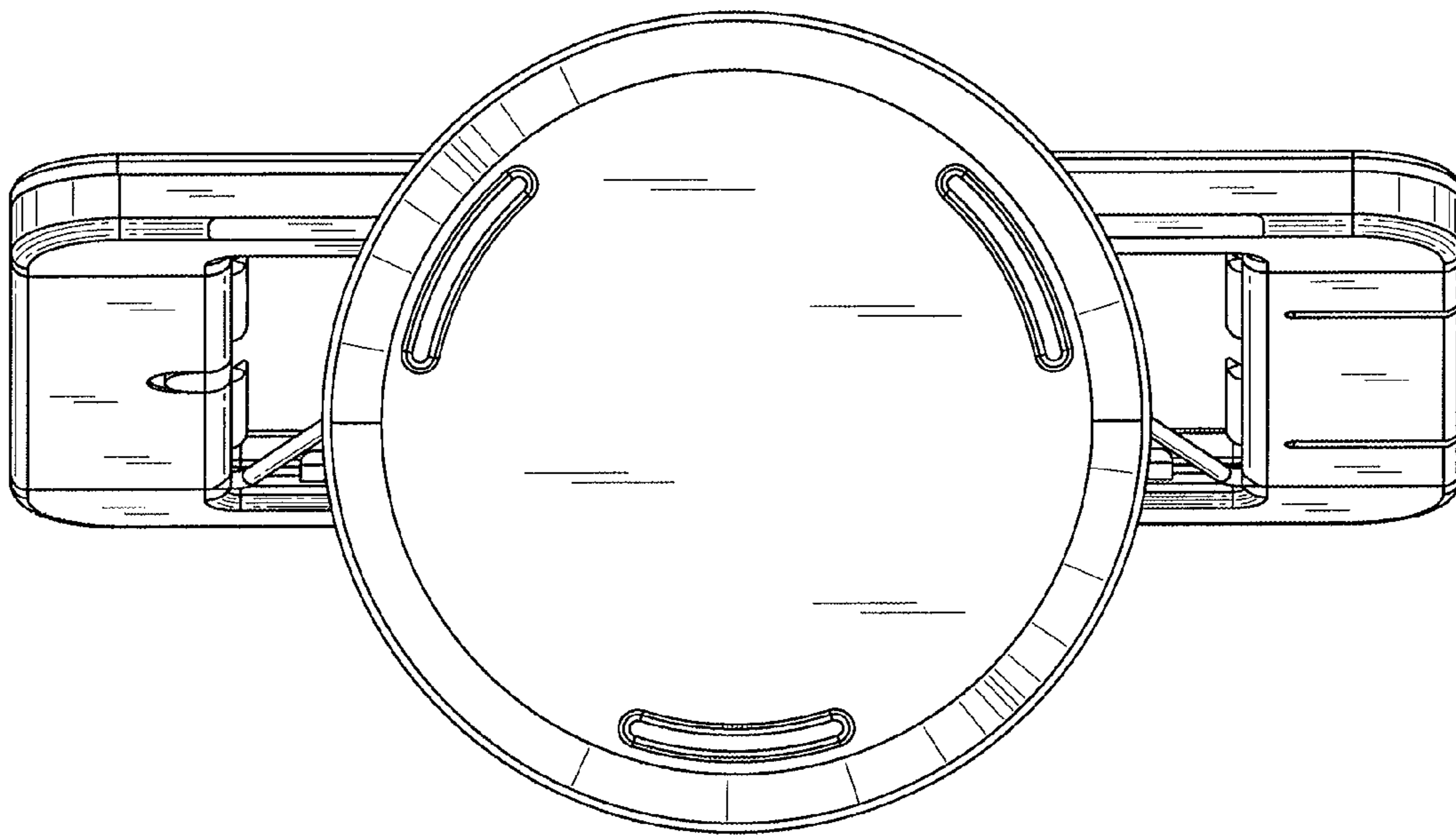


FIG. 7

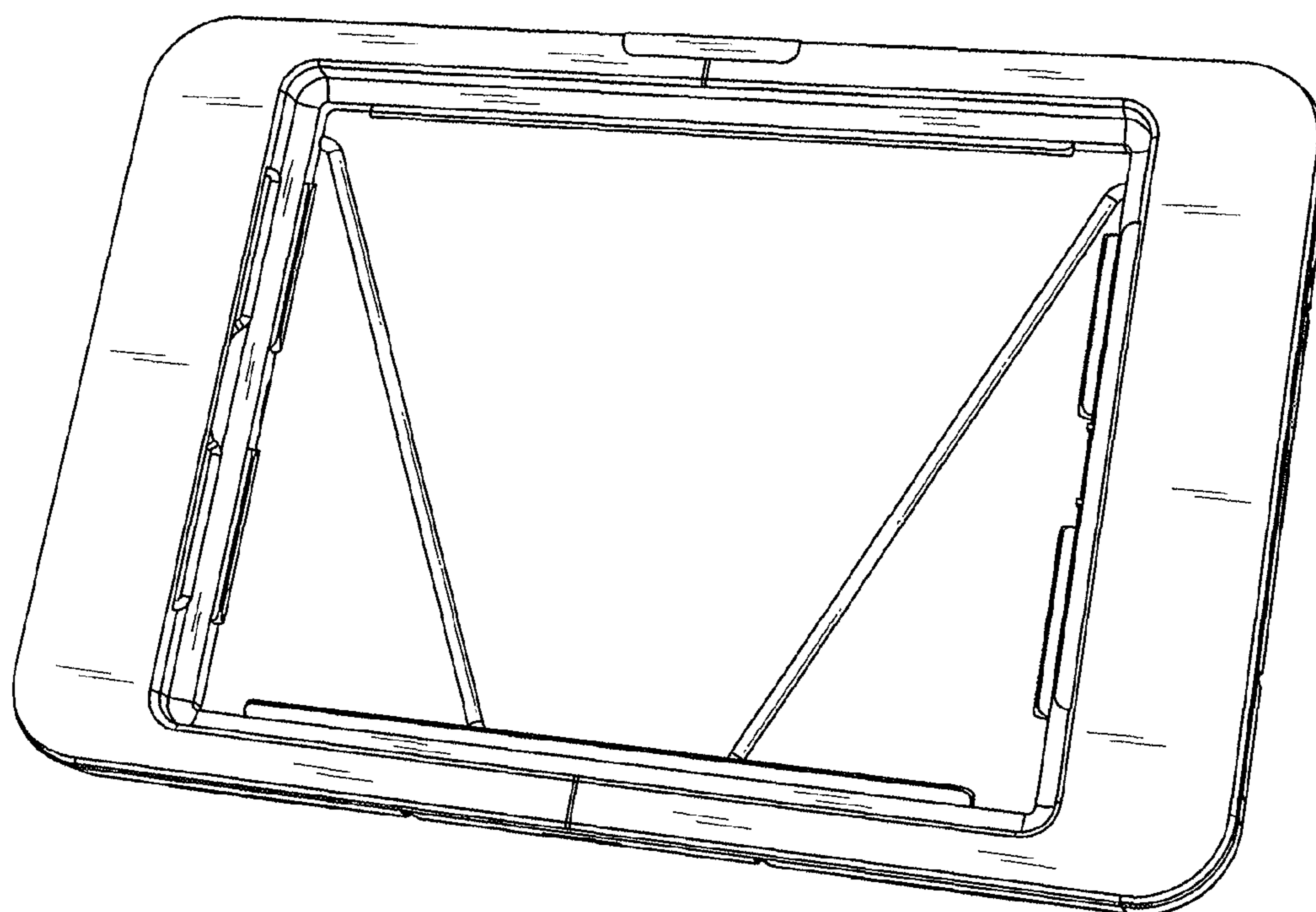


FIG. 8

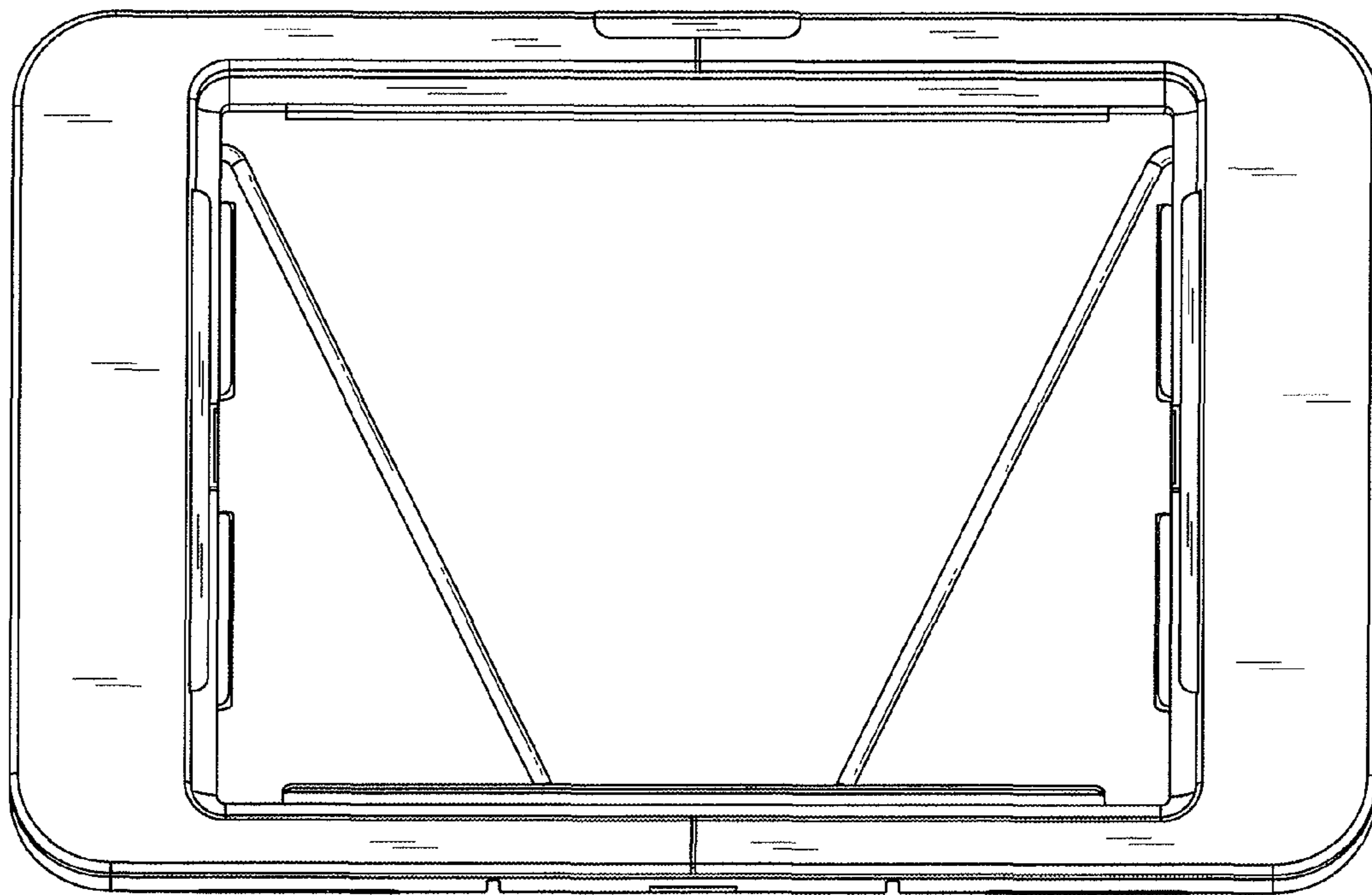


FIG. 9

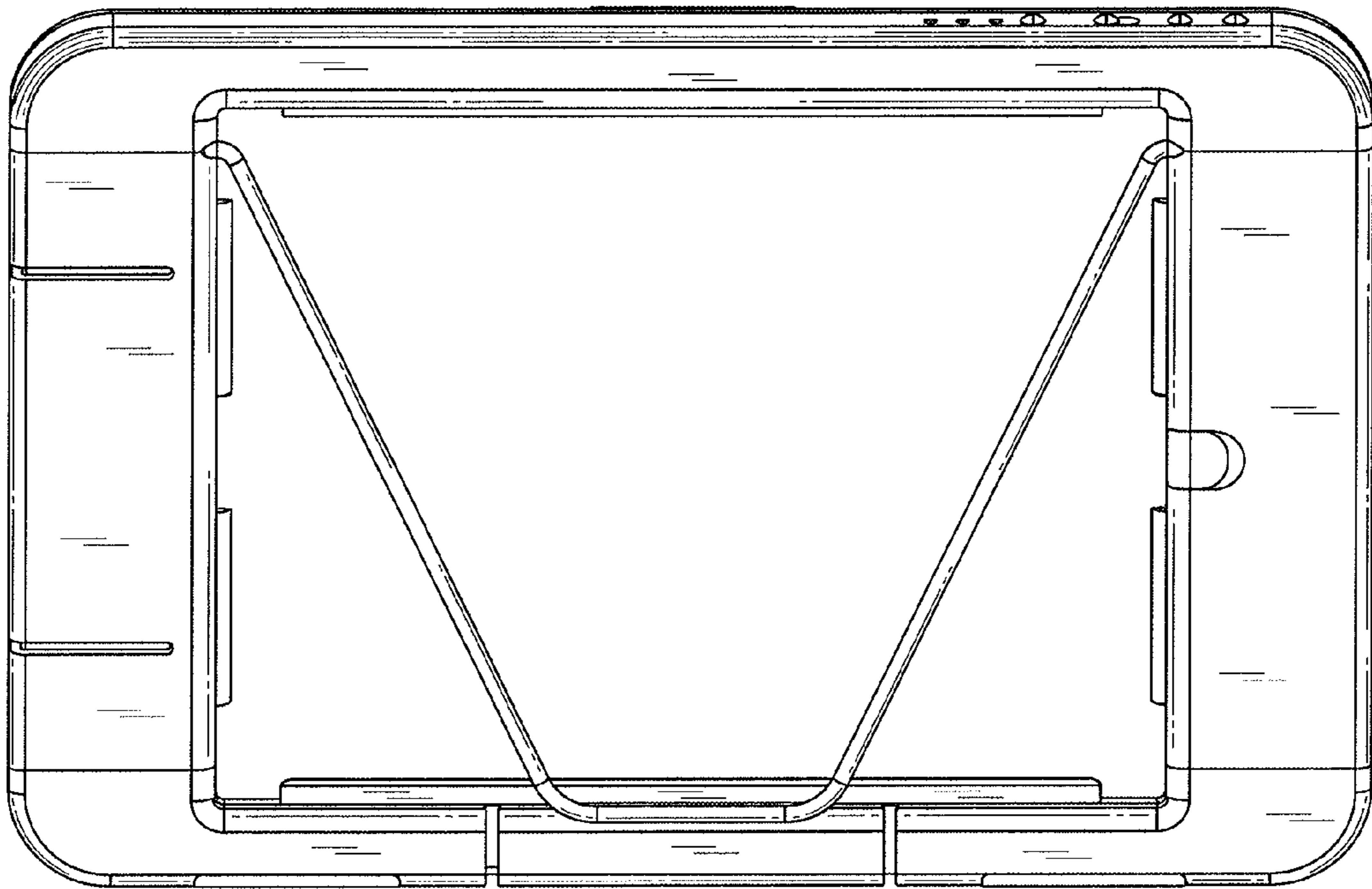


FIG. 10

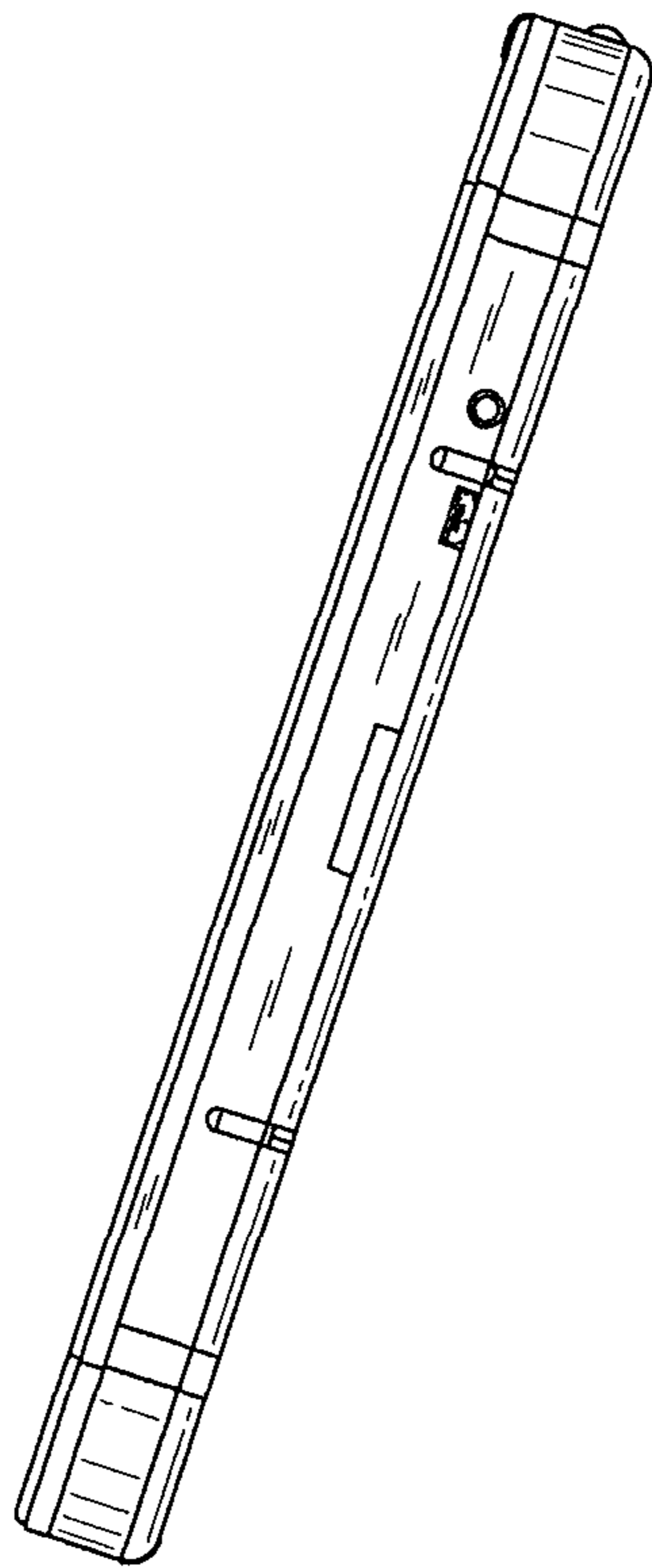


FIG. 11

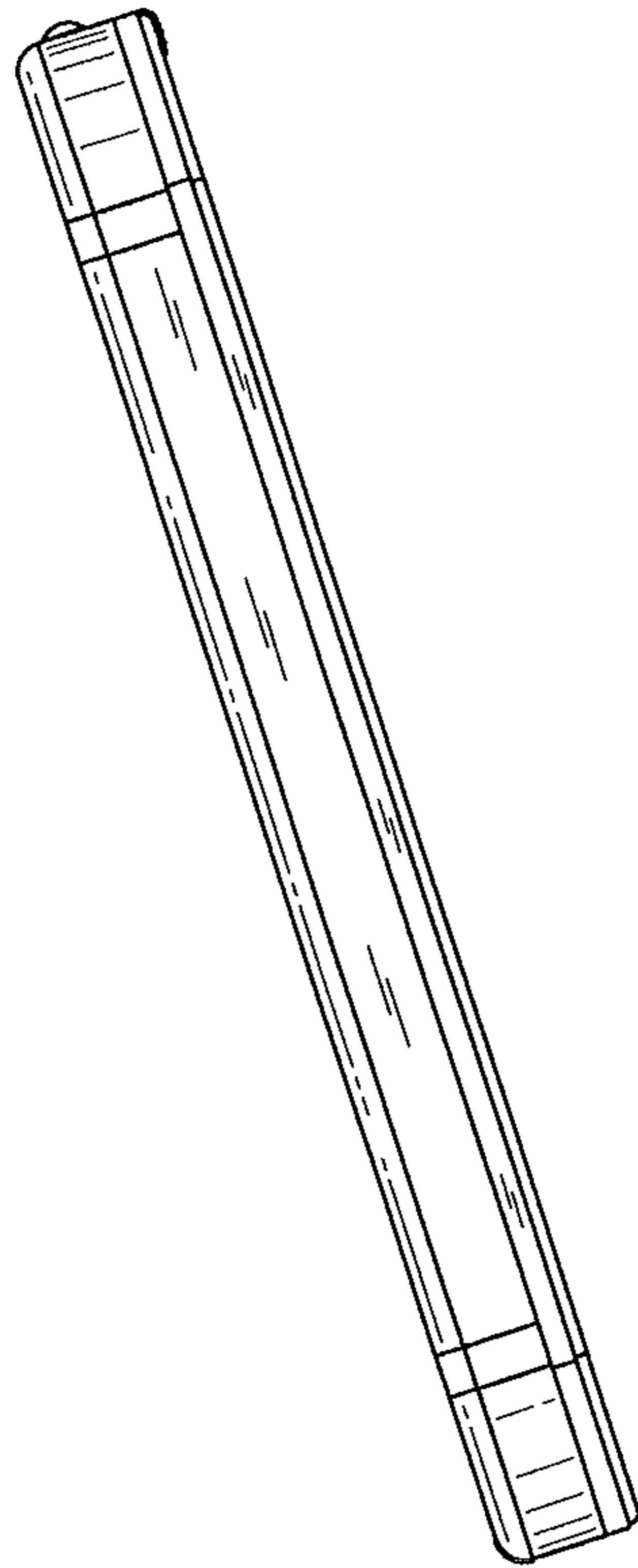


FIG. 12

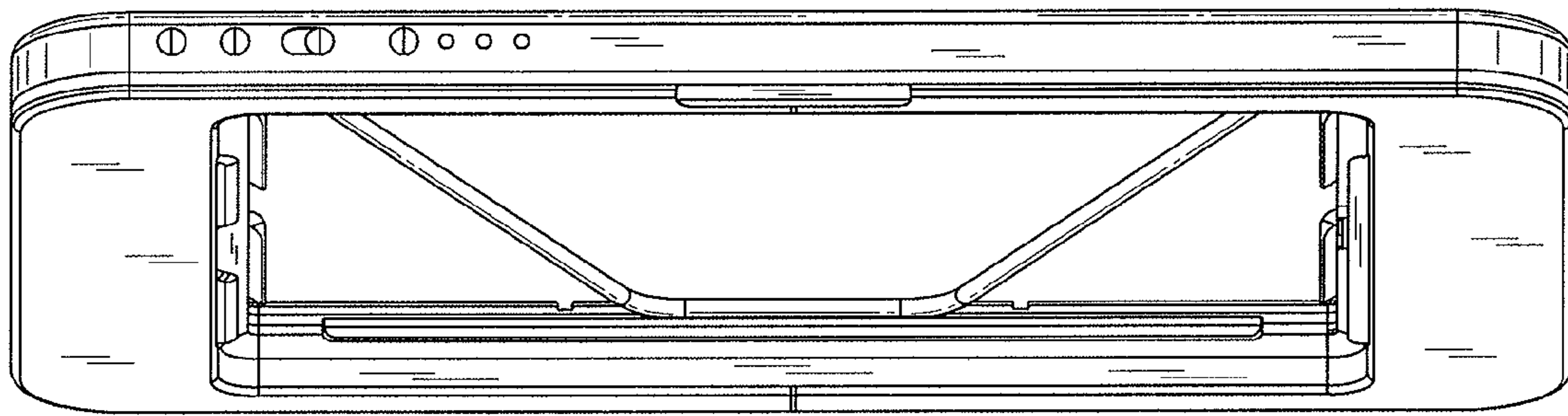


FIG. 13

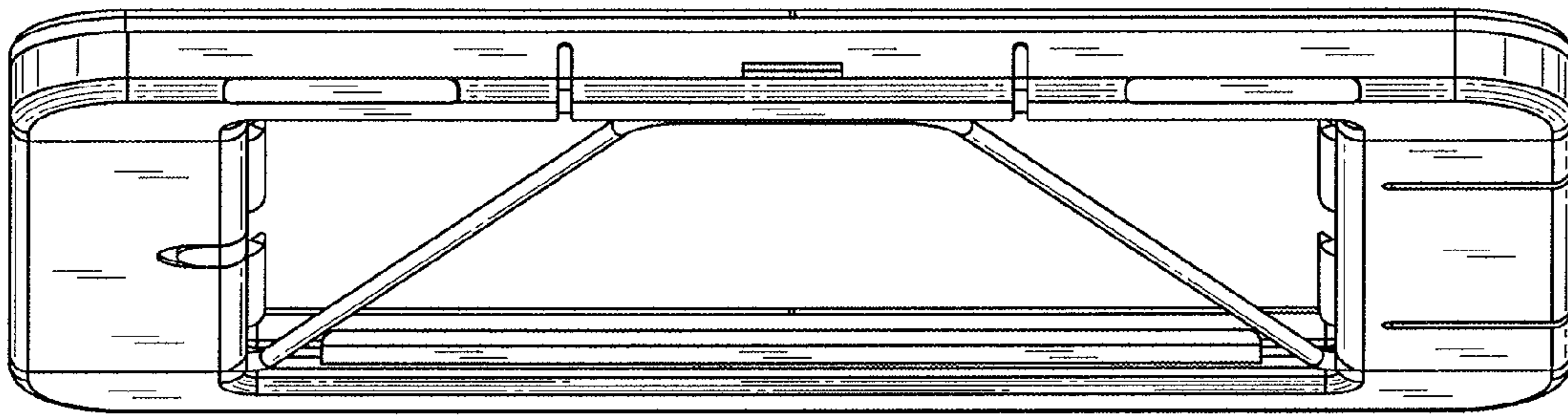


FIG. 14

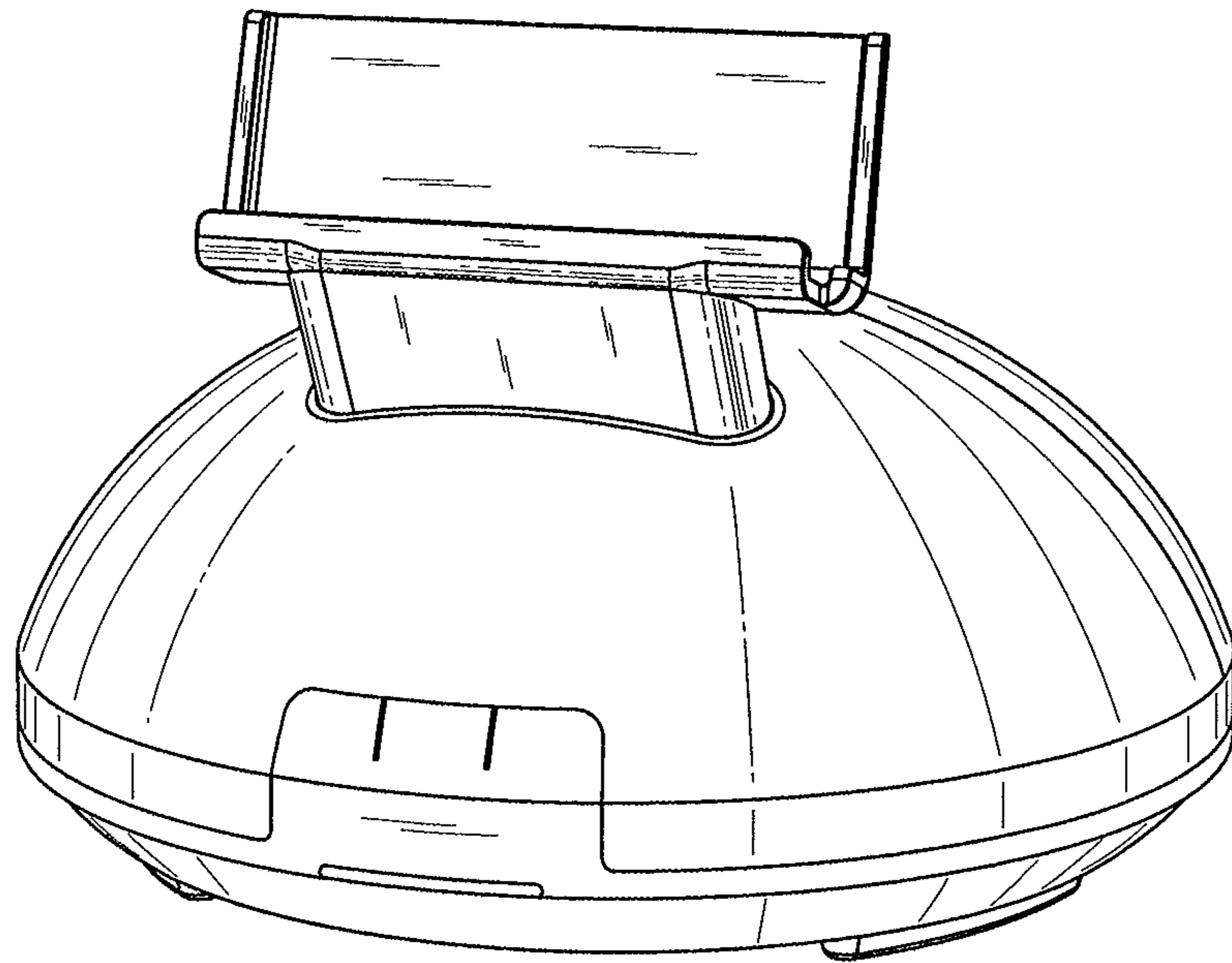


FIG. 15

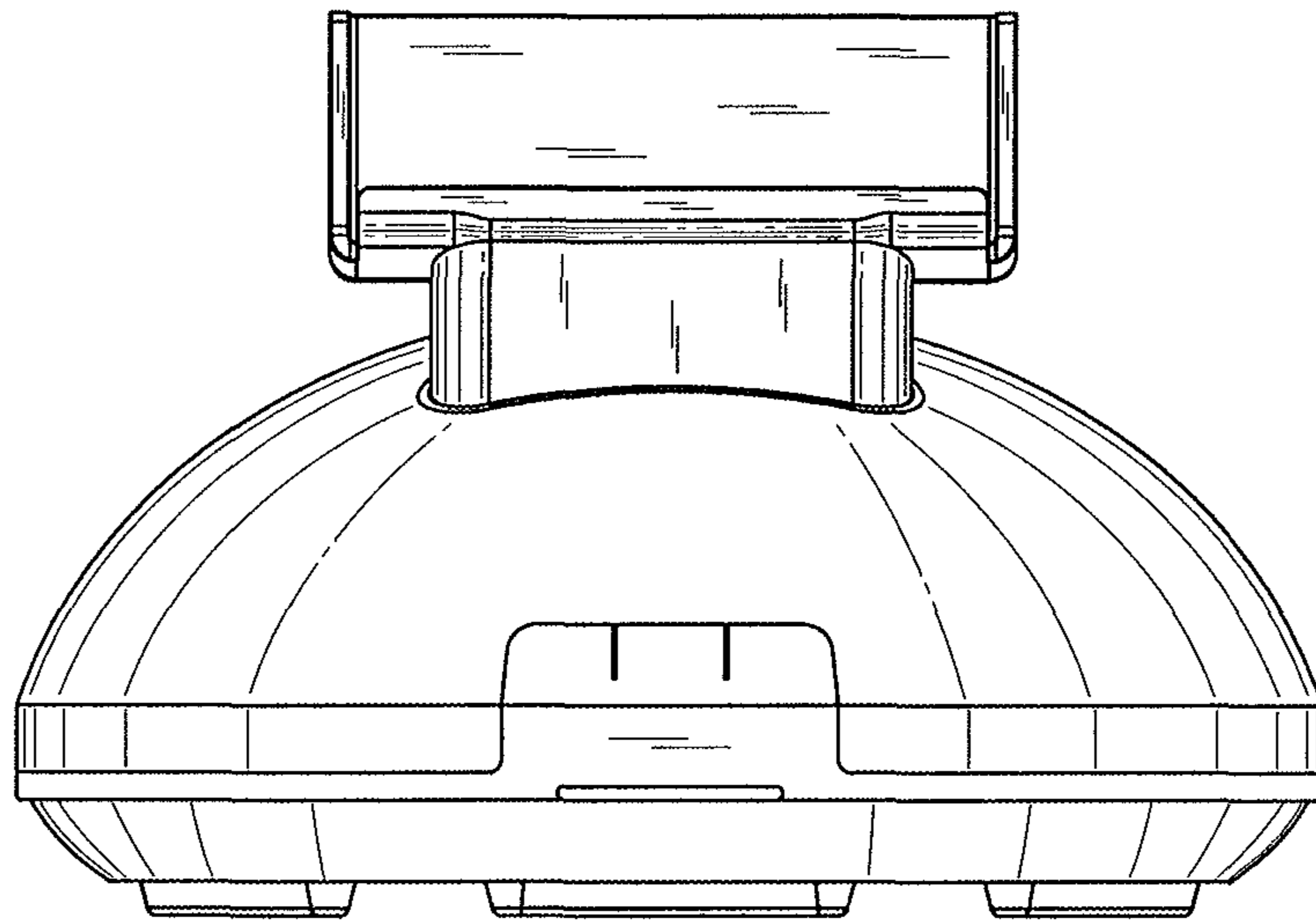


FIG. 16

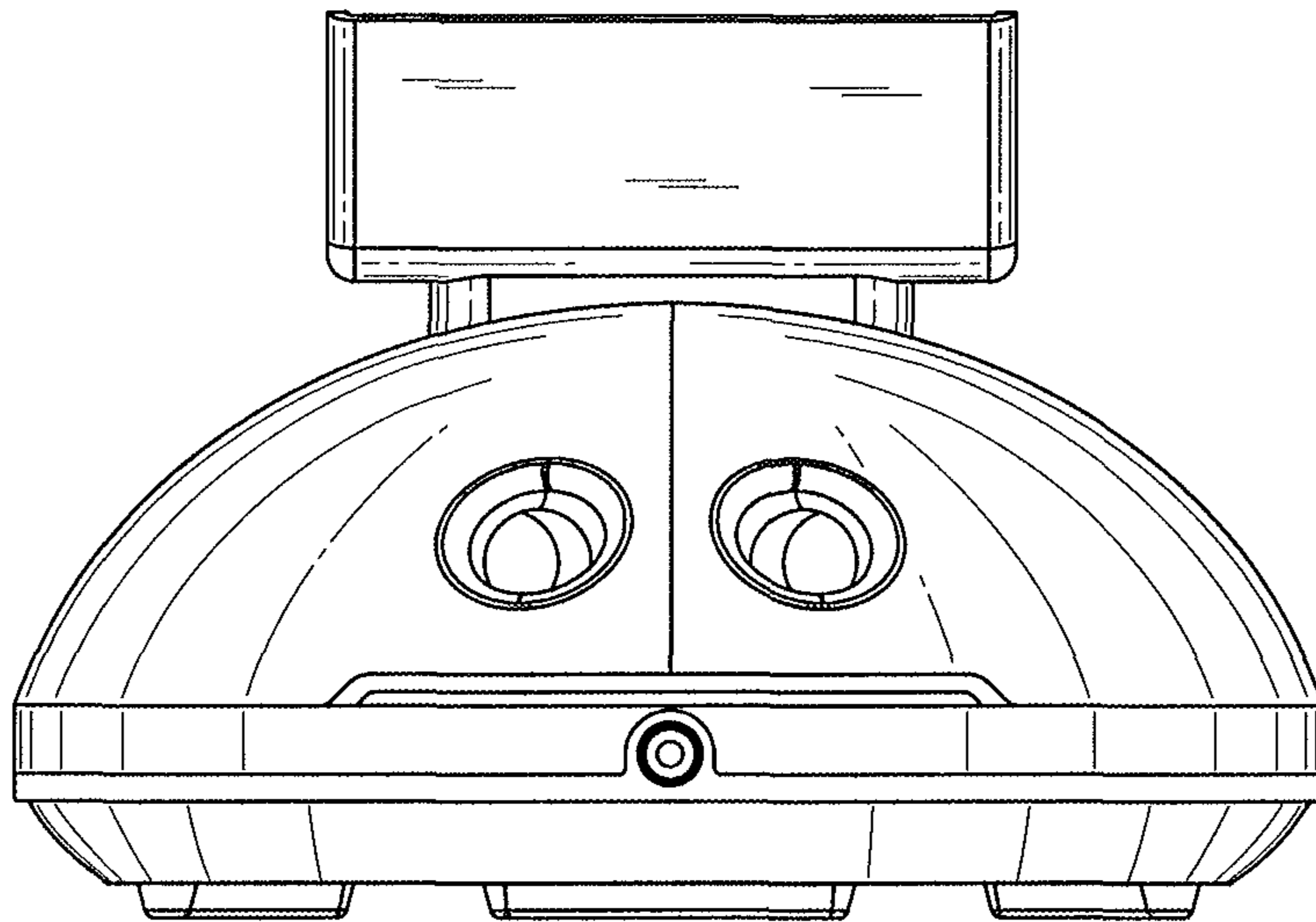


FIG. 17

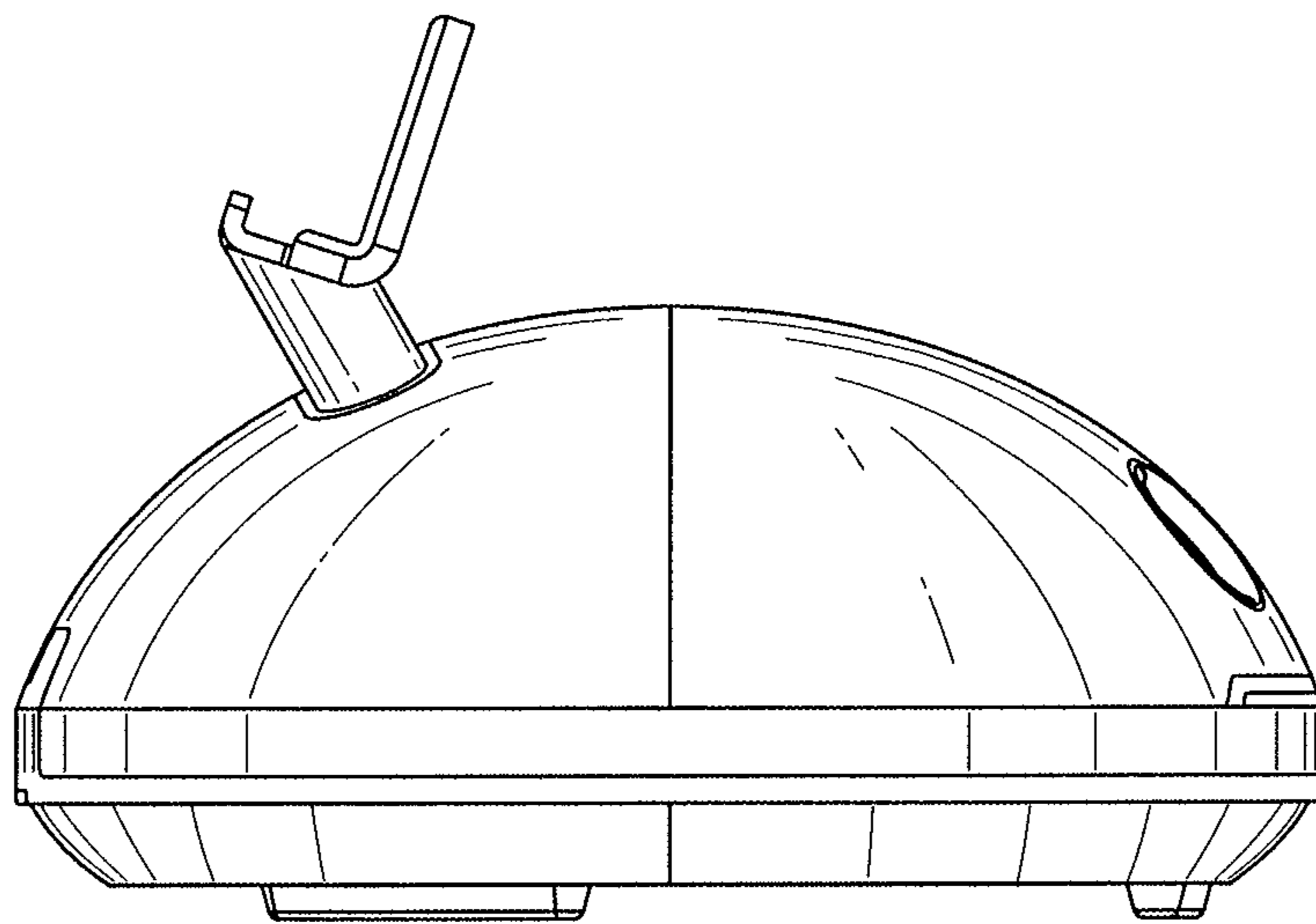


FIG. 18

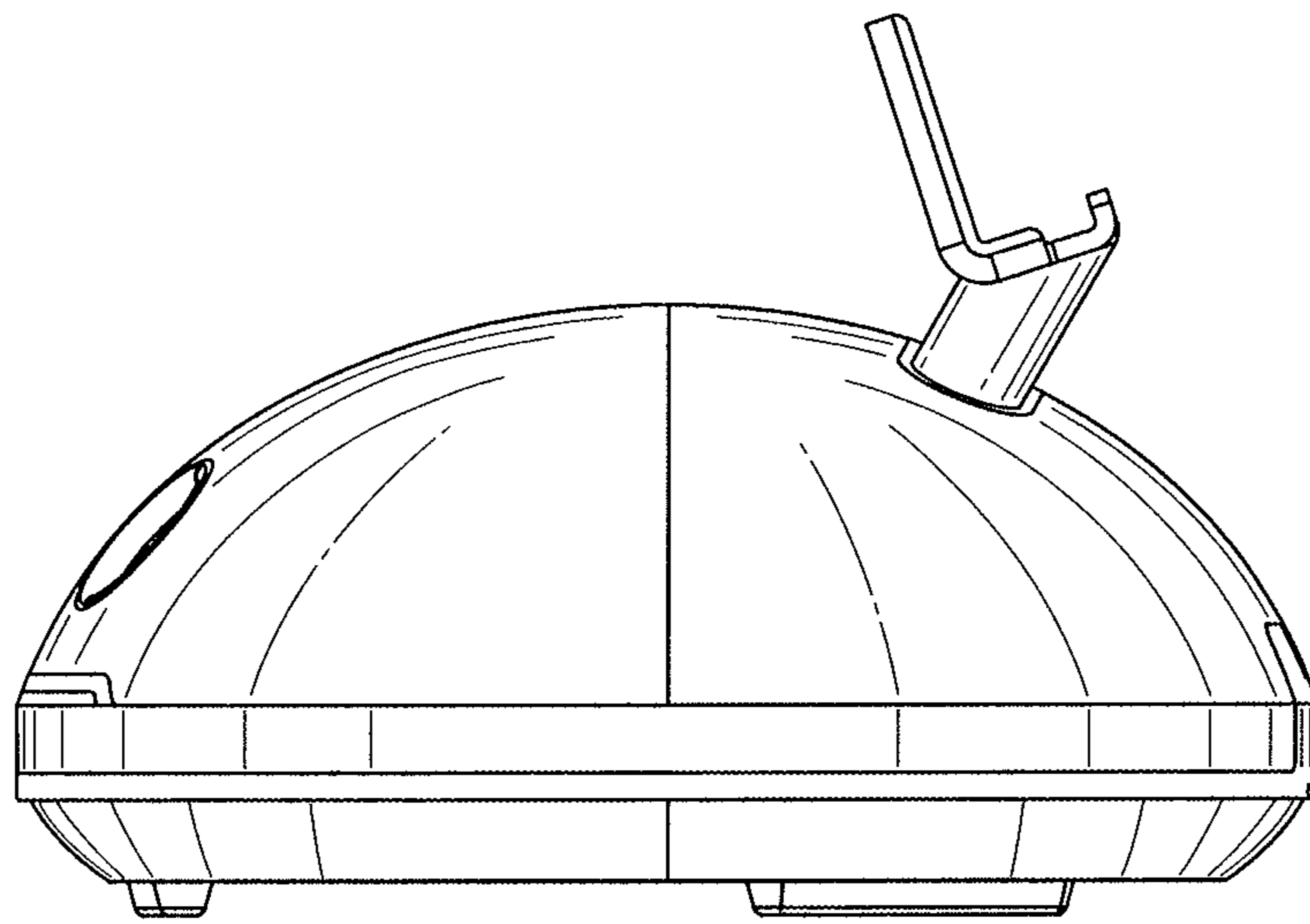


FIG. 19

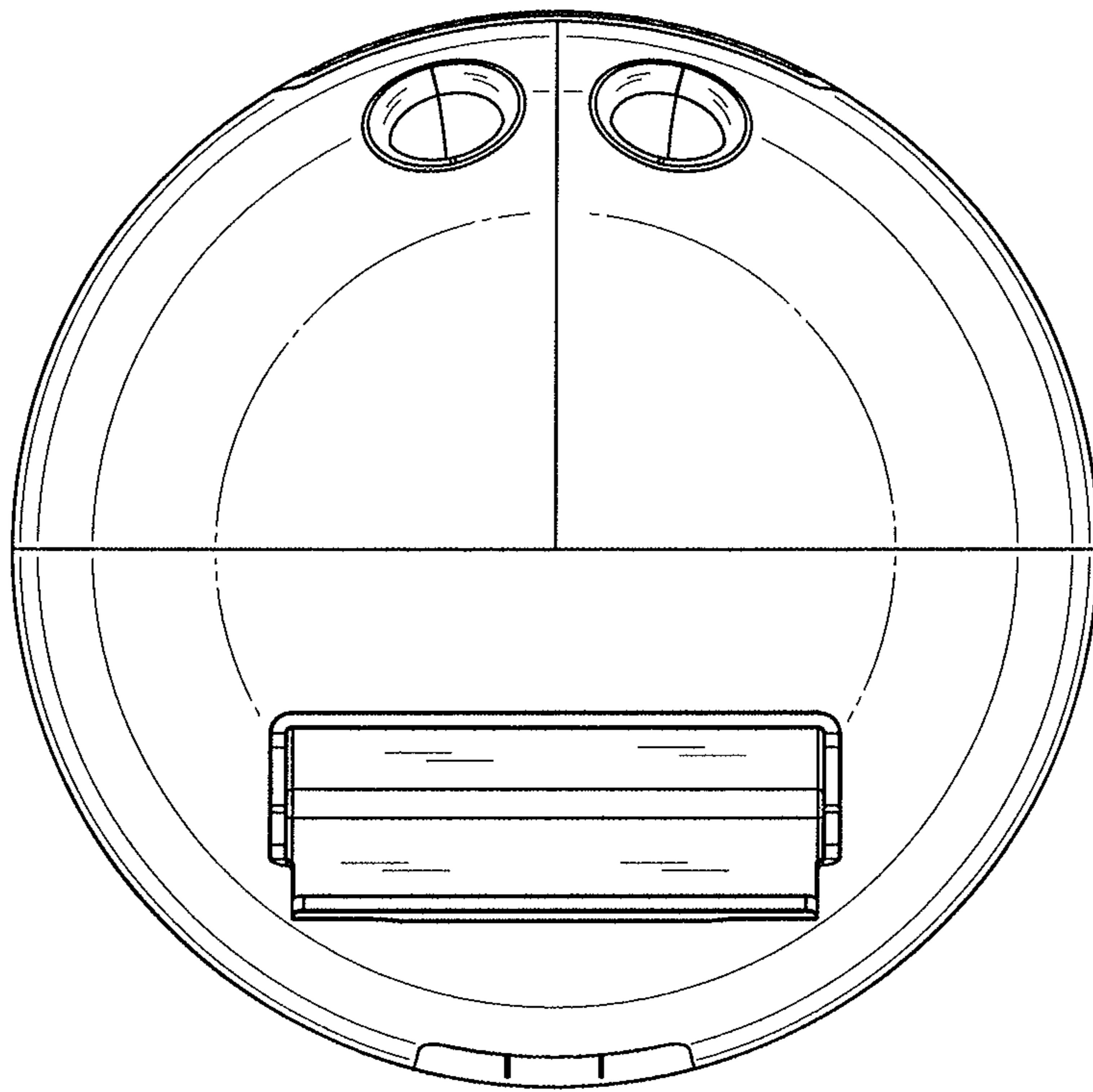


FIG. 20

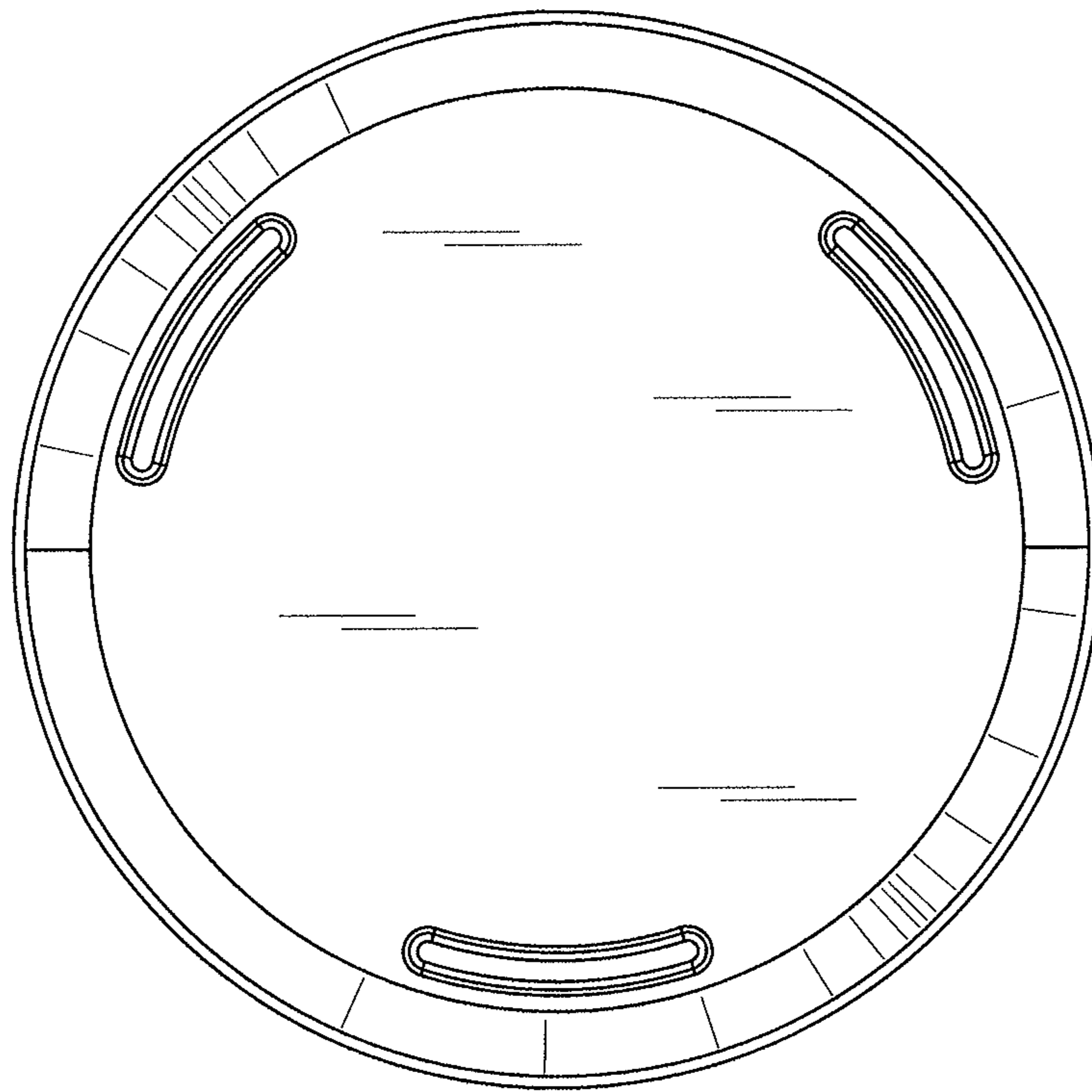


FIG. 21