



US00D691584S

(12) **United States Design Patent**  
**Nussbaum et al.**

(10) **Patent No.:** **US D691,584 S**

(45) **Date of Patent:** **\*\* Oct. 15, 2013**

(54) **SPEAKER BAG**

(76) Inventors: **Marc Nussbaum**, Irvine, CA (US);  
**Sherri Nussbaum**, Irvine, CA (US)

(\*\*) **Term:** **14 Years**

(21) **Appl. No.:** **29/409,029**

(22) **Filed:** **Dec. 20, 2011**

(51) **LOC (9) Cl.** ..... **14-03**

(52) **U.S. Cl.**  
USPC ..... **D14/207; D14/204; D3/217**

(58) **Field of Classification Search**  
USPC ..... D14/168, 172, 185, 188, 189, 192,  
D14/203.1, 204–216, 221, 222, 224;  
248/221.11, 309.1; 361/600; 320/107,  
320/110, 113–115; 439/529, 534;  
455/556.1, 556.2, 572; D3/215–218,  
D3/243

See application file for complete search history.

(56) **References Cited**

**U.S. PATENT DOCUMENTS**

D489,174 S *	5/2004	Shigenaka et al.	.....	D3/217
D549,219 S *	8/2007	Tan et al.	.....	D14/215
D572,235 S *	7/2008	Imawaki	.....	D14/207
D609,696 S *	2/2010	Martinez et al.	.....	D14/209.1
D616,196 S *	5/2010	Walsh	.....	D3/217
D641,973 S *	7/2011	Quehl	.....	D3/217
2010/0078457 A1 *	4/2010	Pitchford et al.	.....	224/576

\* cited by examiner

*Primary Examiner* — Keli L Hill

(74) *Attorney, Agent, or Firm* — Fish & Associates, PC

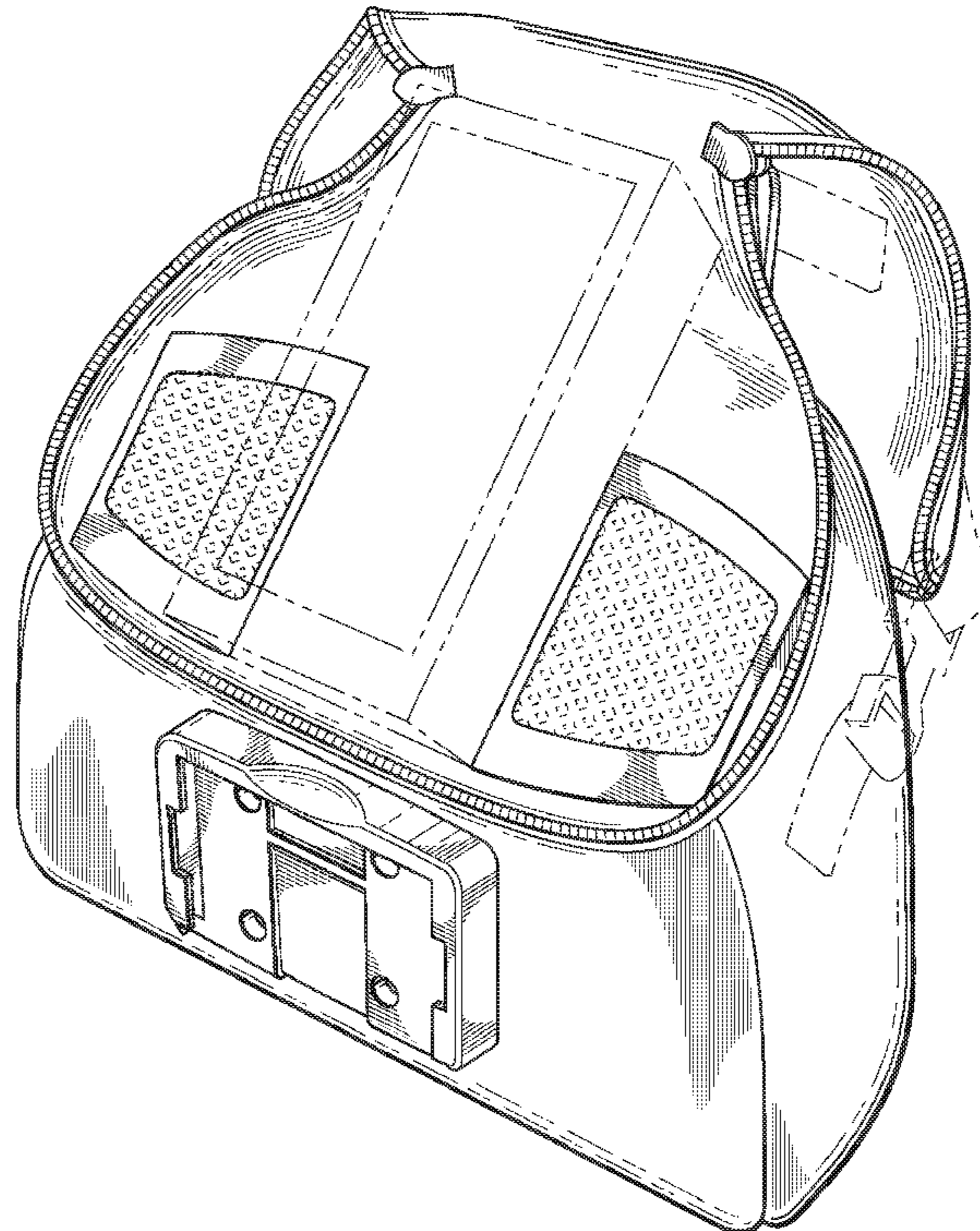
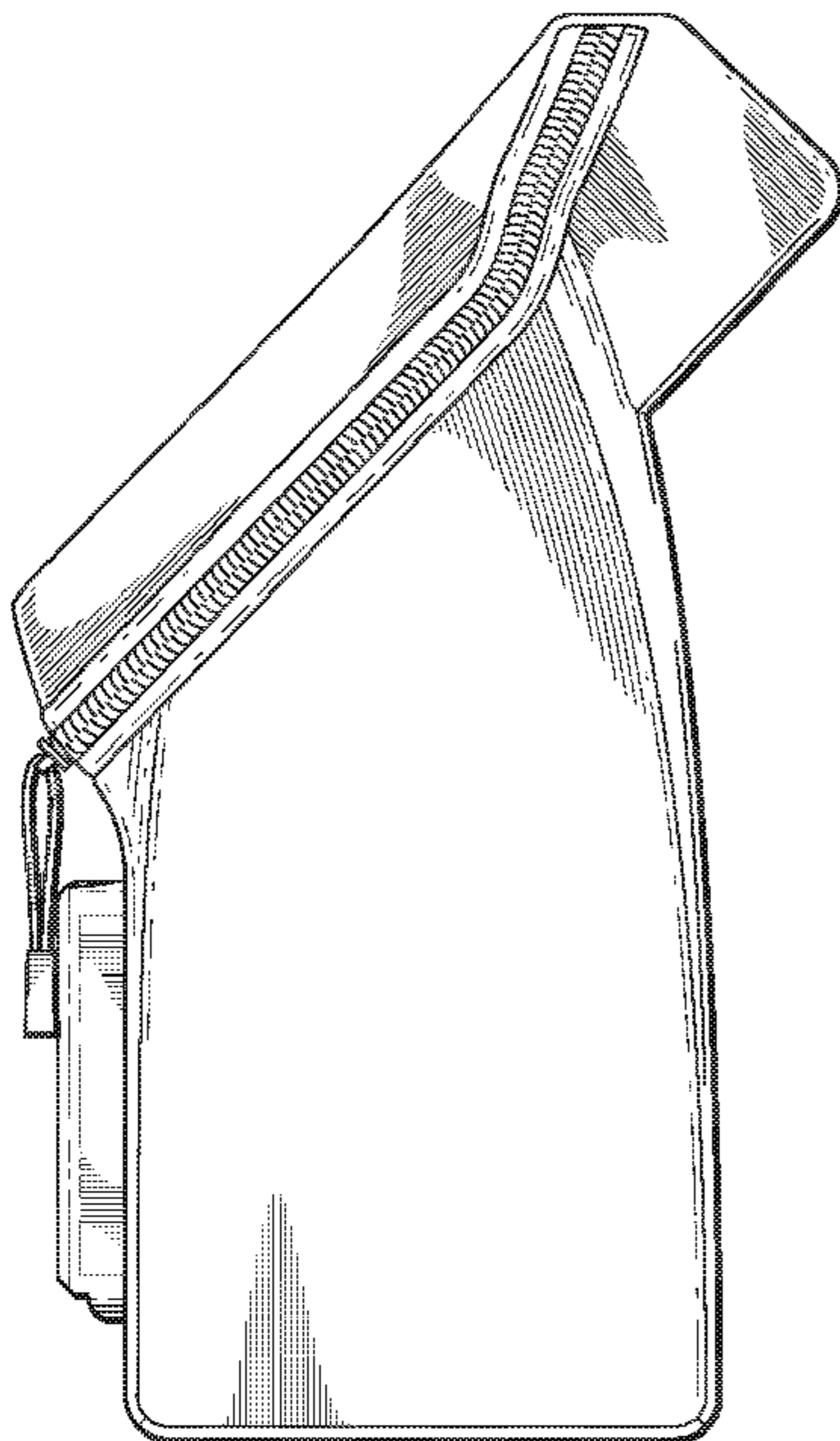
(57) **CLAIM**

The ornamental design of a speaker bag, as shown and described.

**DESCRIPTION**

FIG. 1 is a perspective view of a bag from the top, front and right side showing our new design;  
 FIG. 2 is a front elevation view thereof;  
 FIG. 3 is a rear elevation view thereof;  
 FIG. 4 is a left side elevation (right side being a mirror image) view thereof;  
 FIG. 5 is a top plan view thereof;  
 FIG. 6 is a bottom plan view thereof;  
 FIG. 7 is a perspective view of a bag from the top, front, right side with a front flap open showing our new design;  
 FIG. 8 is a front elevation view of FIG. 7;  
 FIG. 9 is a rear elevation view of FIG. 7;  
 FIG. 10 is a left side elevation (right side being a mirror image) view of FIG. 7;  
 FIG. 11 is a top plan view of FIG. 7;  
 FIG. 12 is a bottom plan view of FIG. 7; and,  
 FIG. 13 is a perspective view of a bag from FIG. 7 from the top, front, right side, and installed on a bicycle.  
 The broken lines shown are included for the purpose of illustrating portions of the speaker bag that form no part of the claim.

**1 Claim, 11 Drawing Sheets**



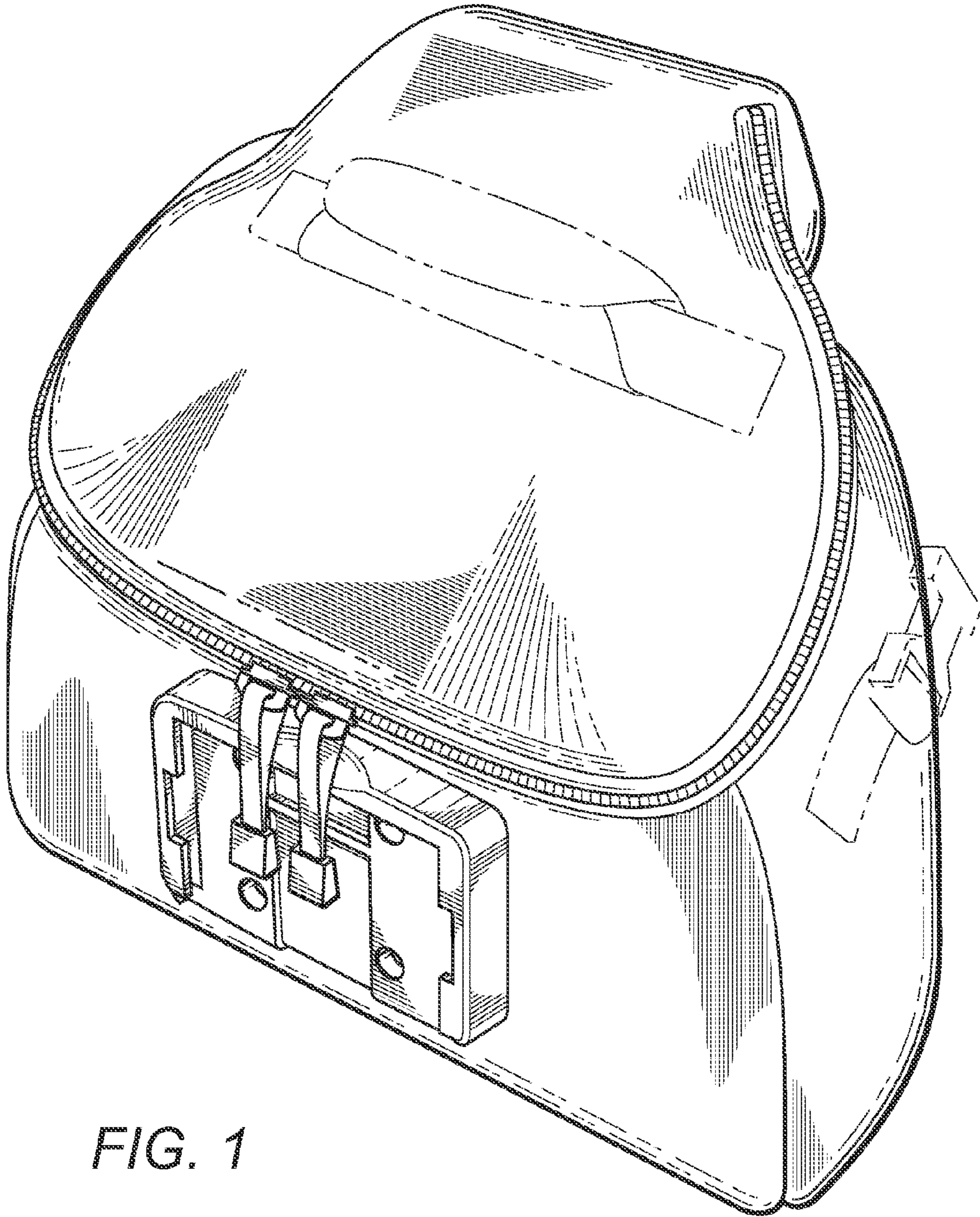


FIG. 1

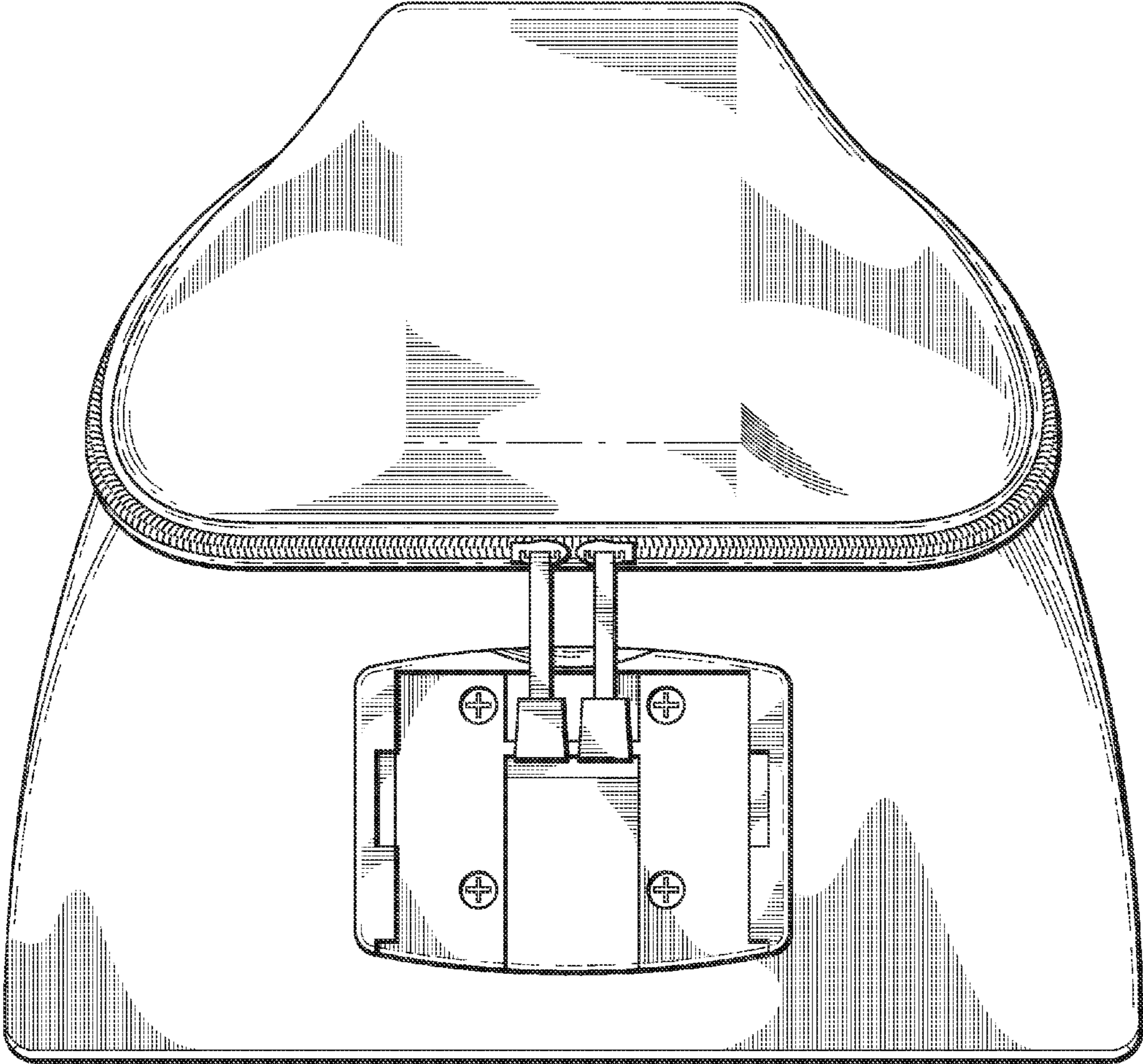


FIG. 2

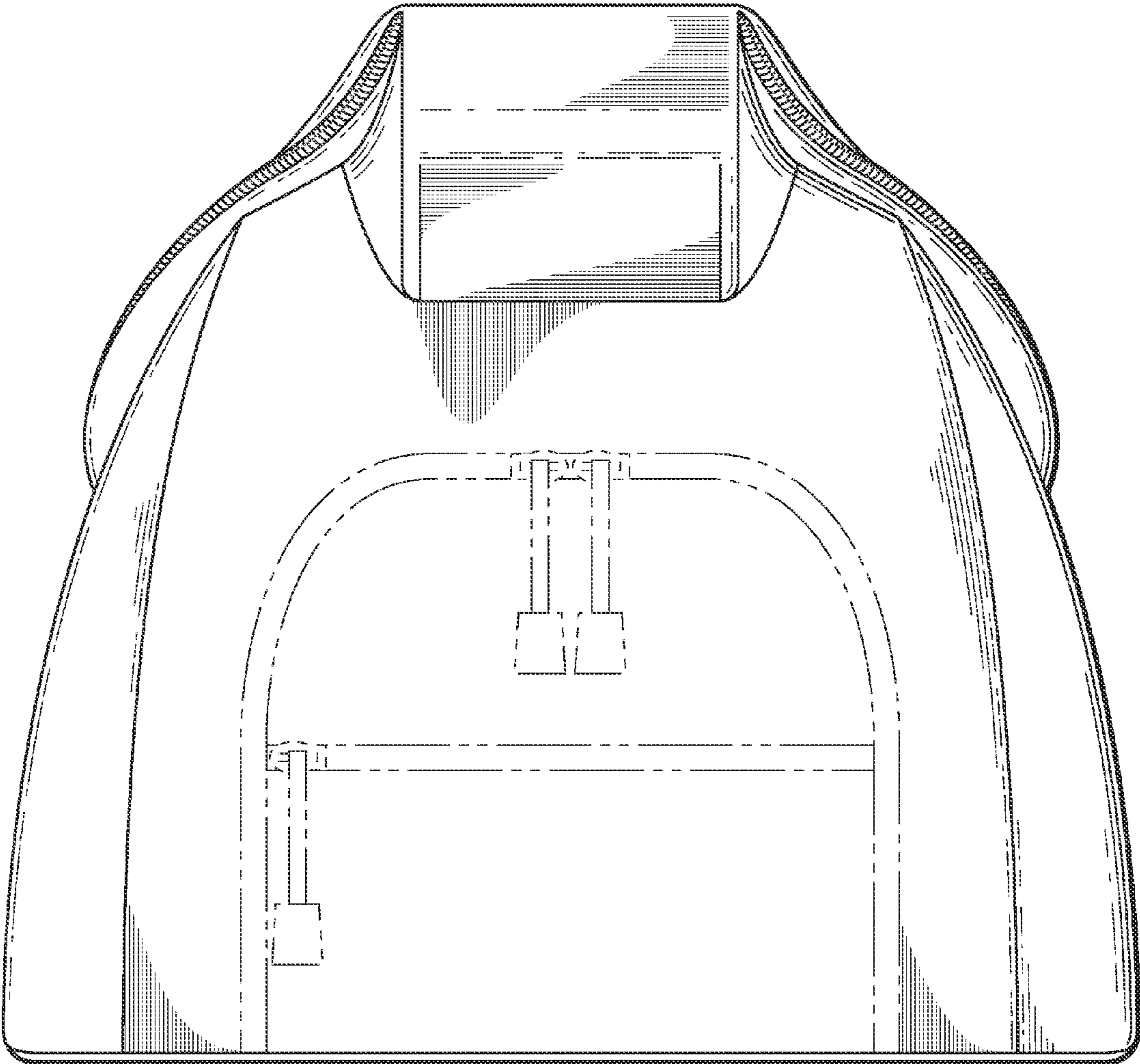
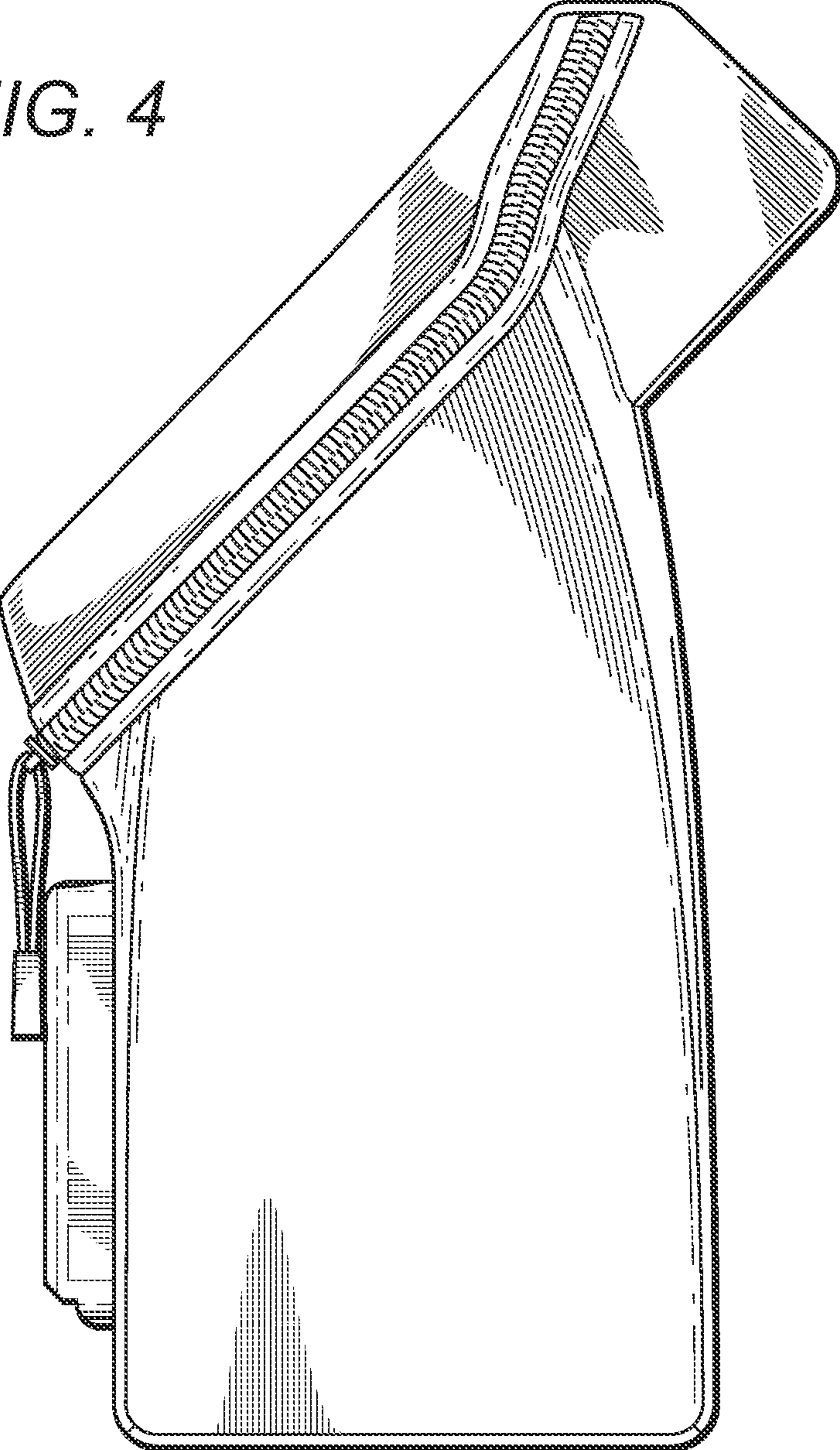


FIG. 3

FIG. 4



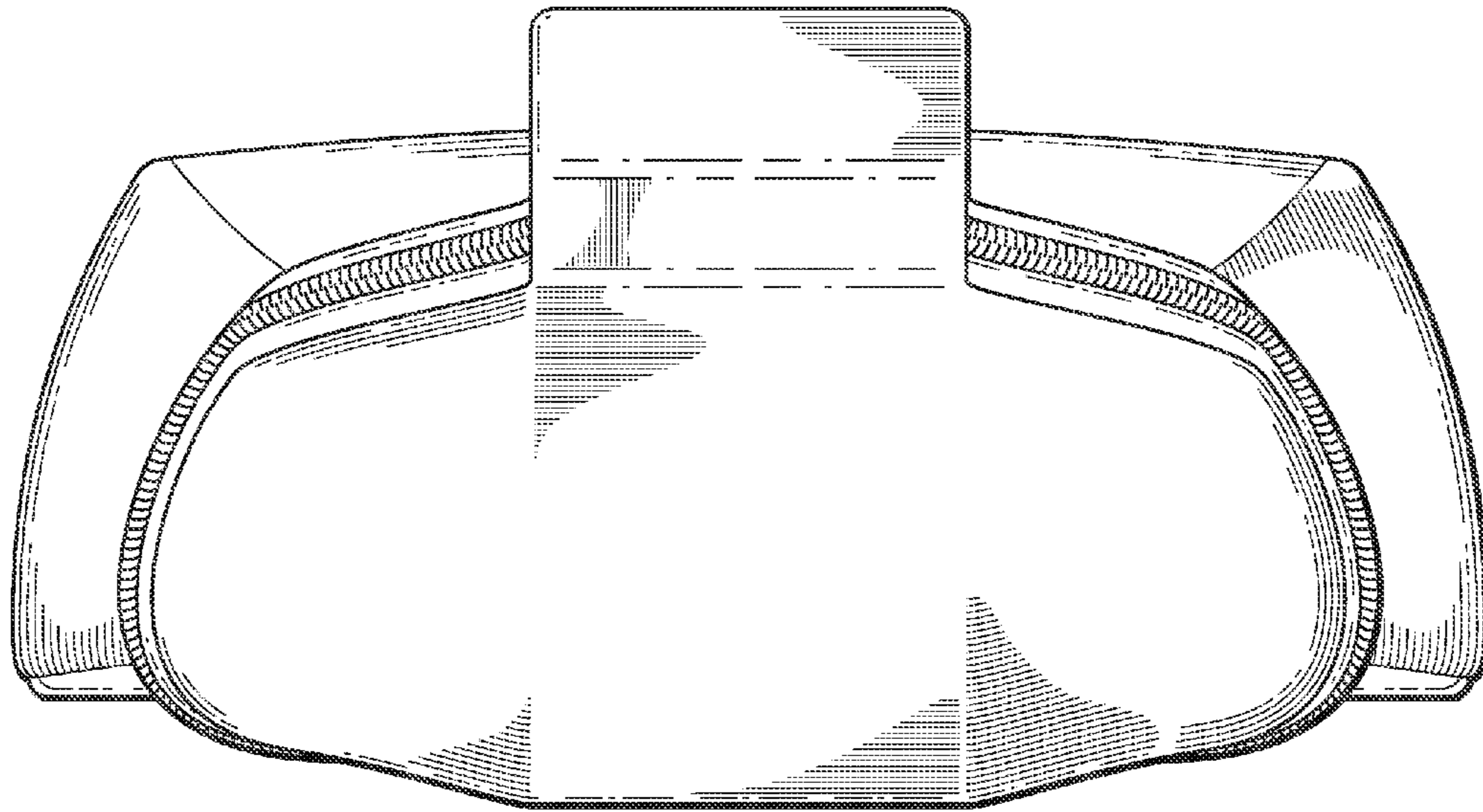
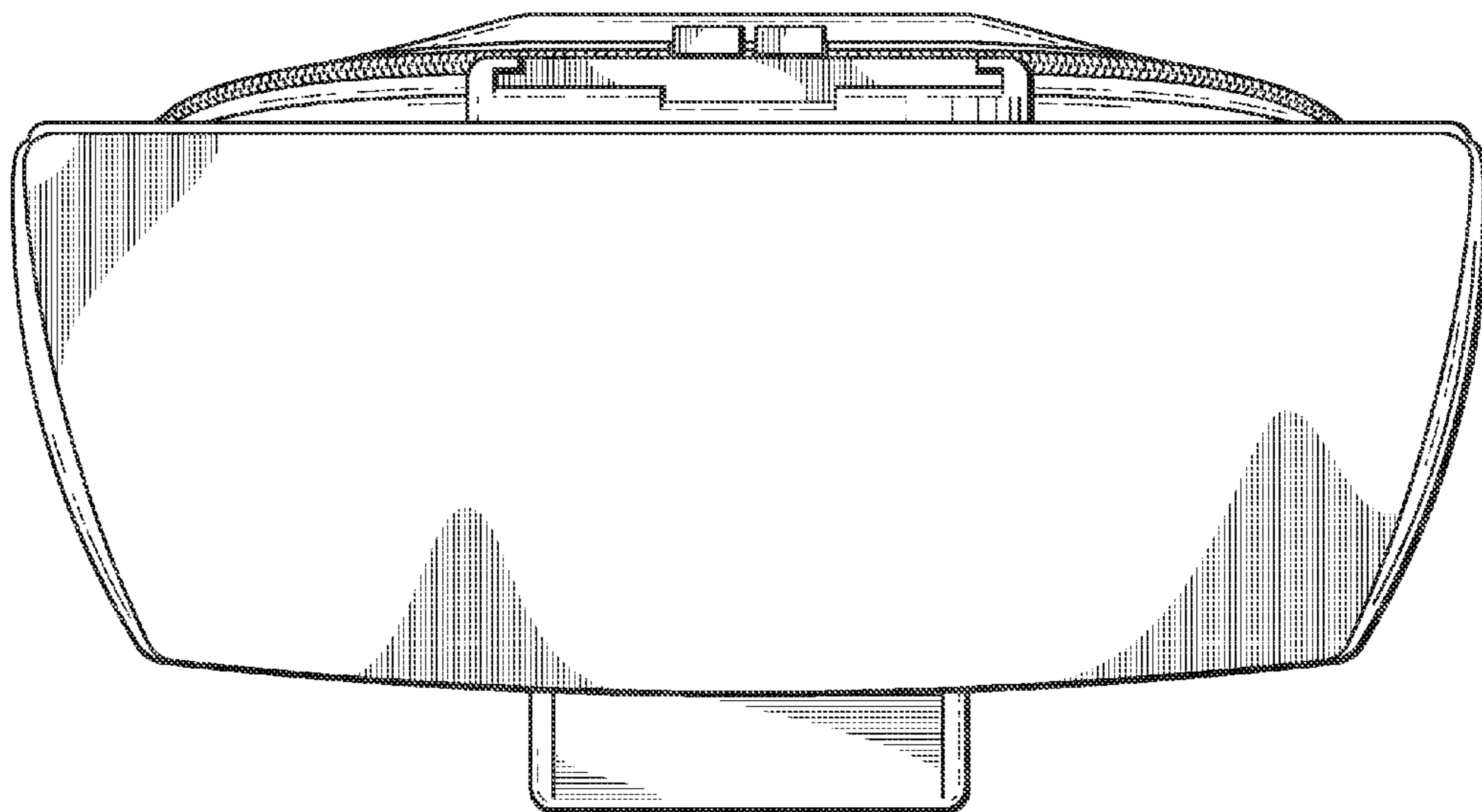


FIG. 5

FIG. 6



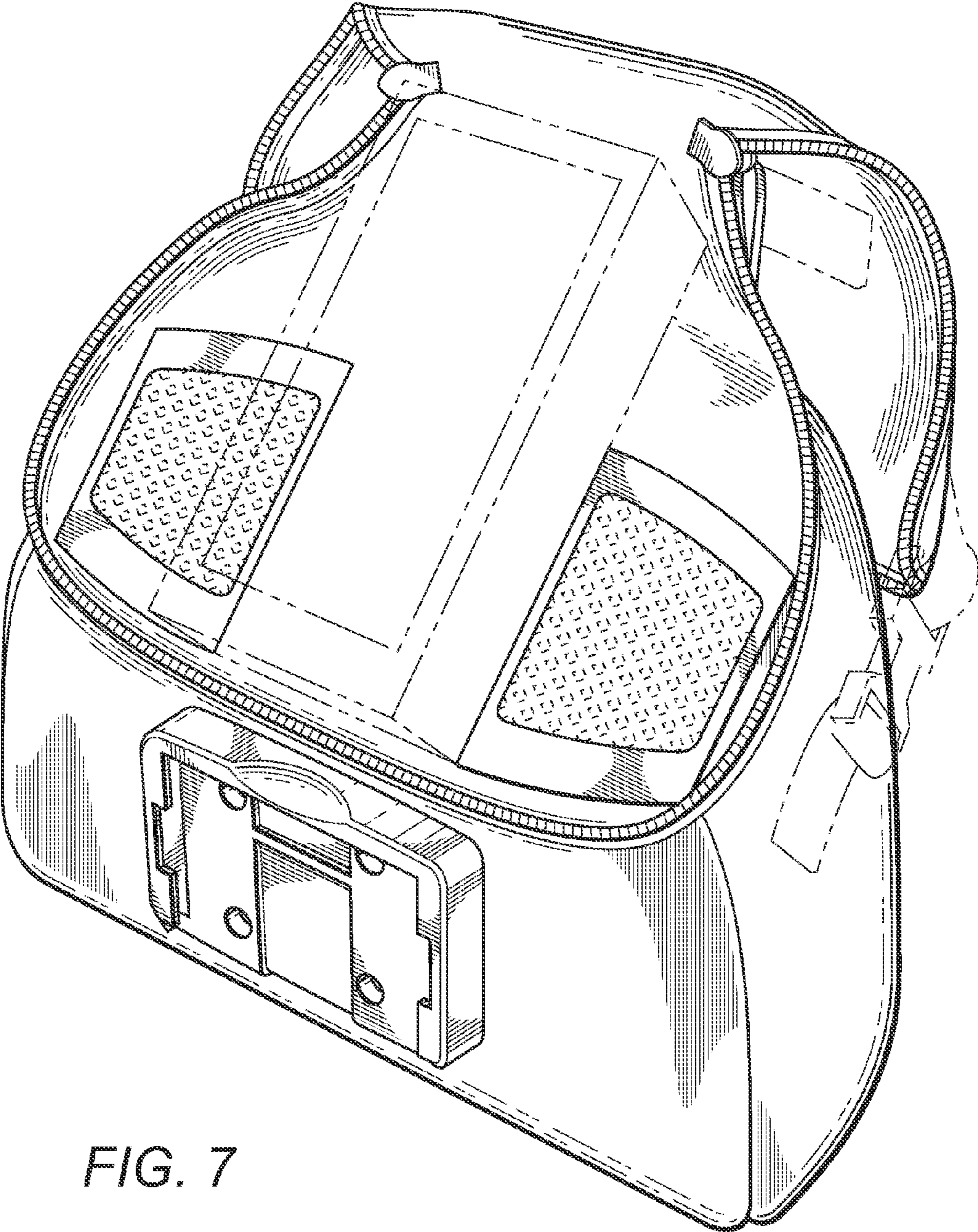


FIG. 7

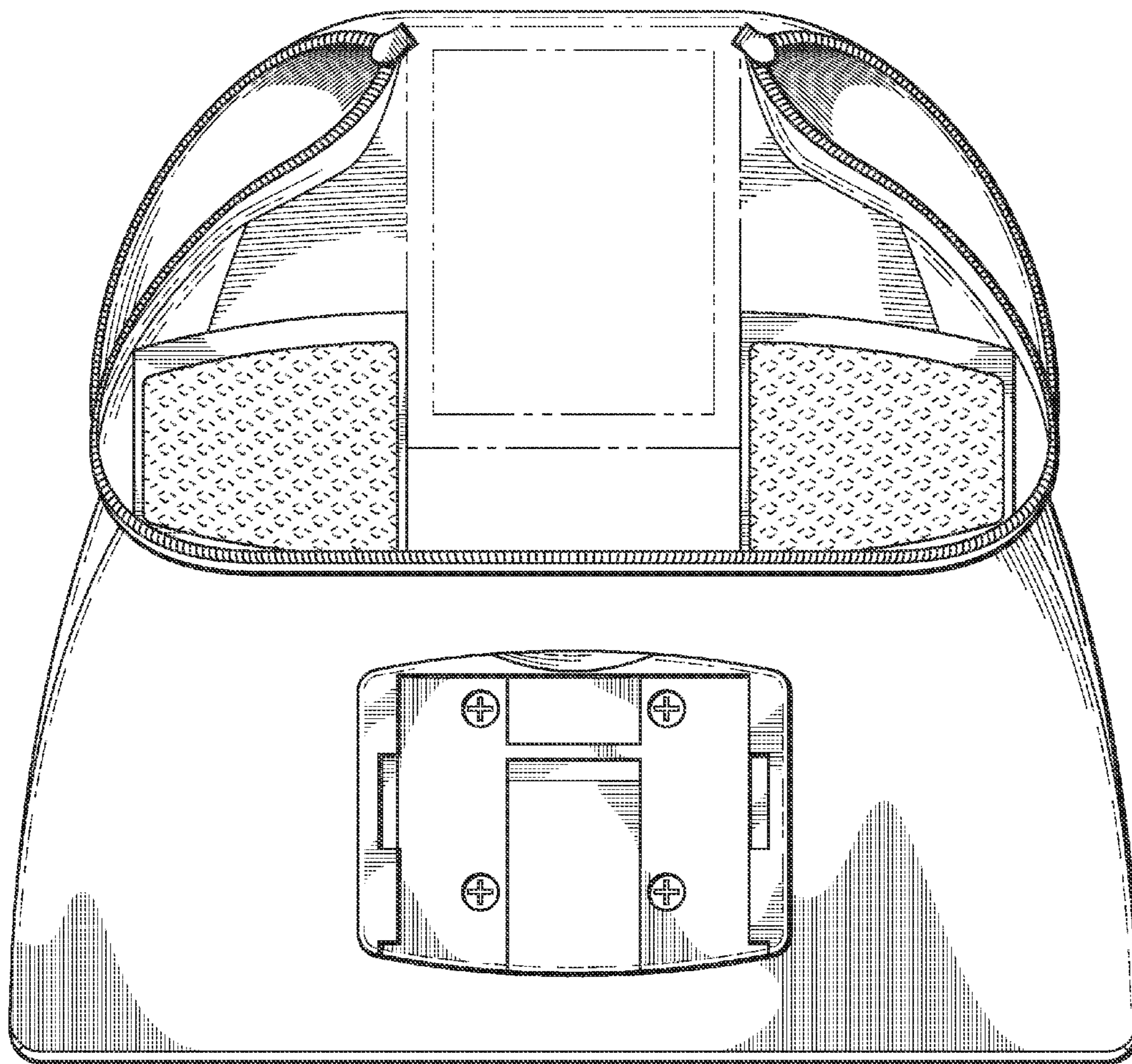


FIG. 8



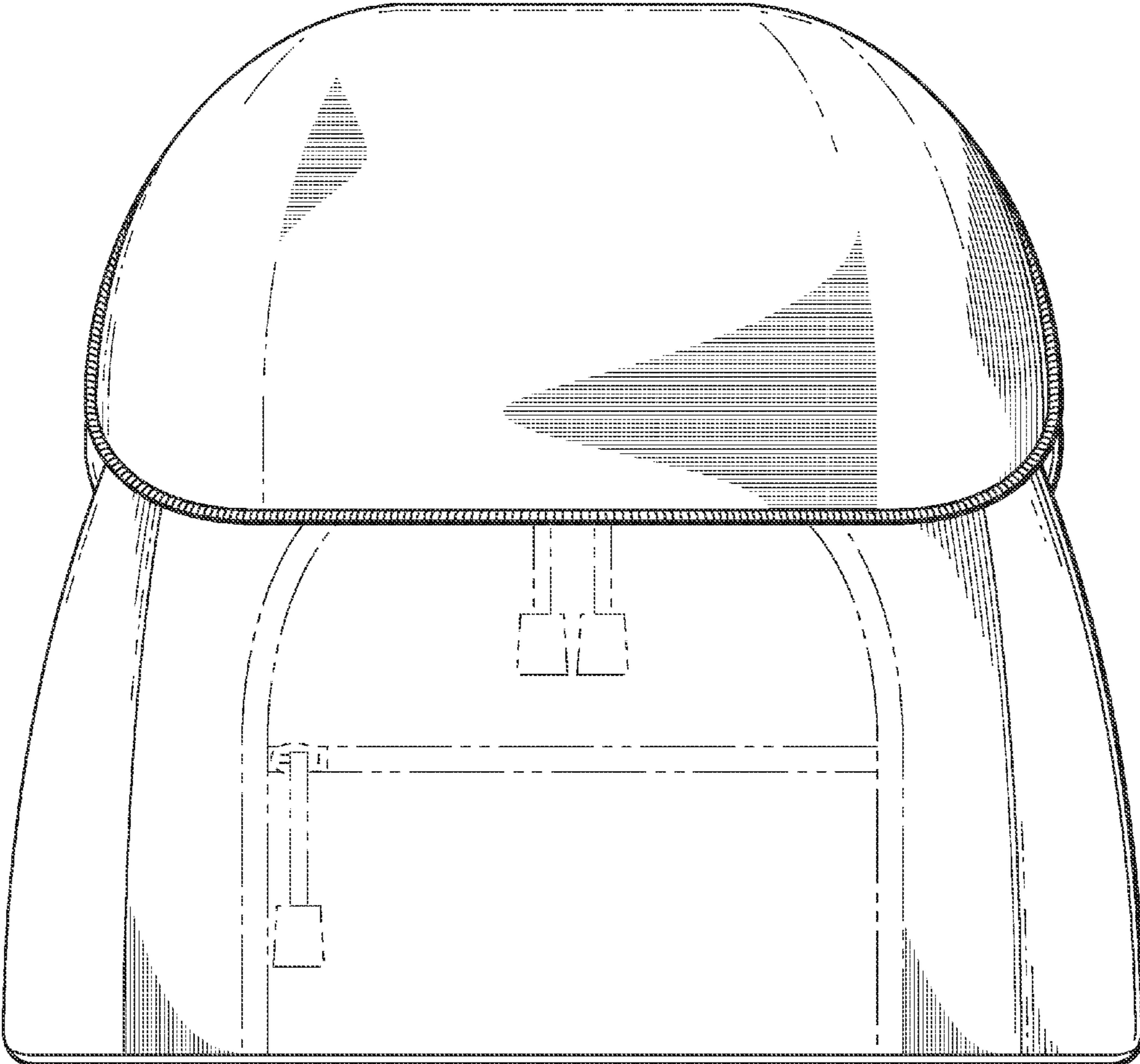
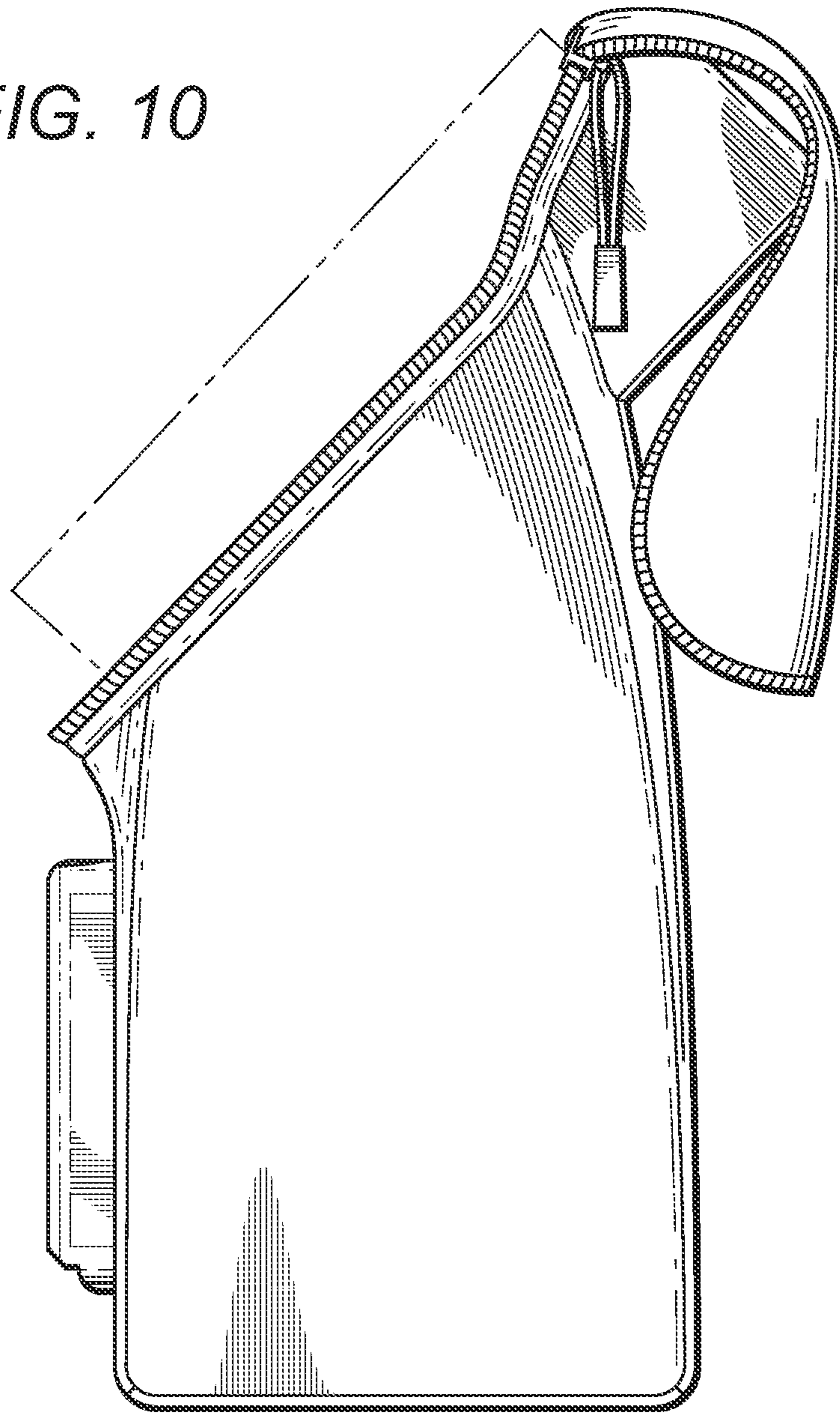


FIG. 9

*FIG. 10*



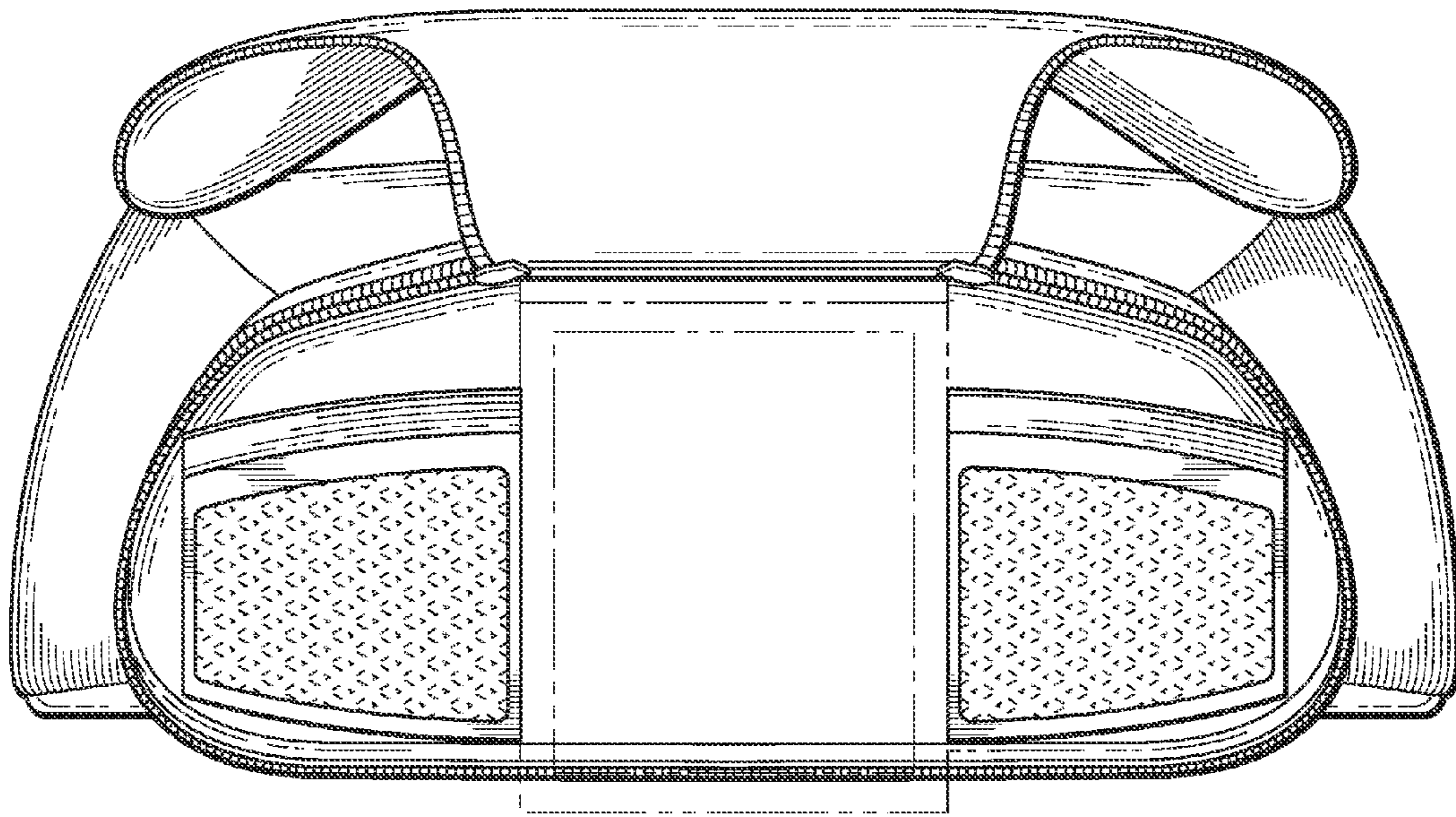
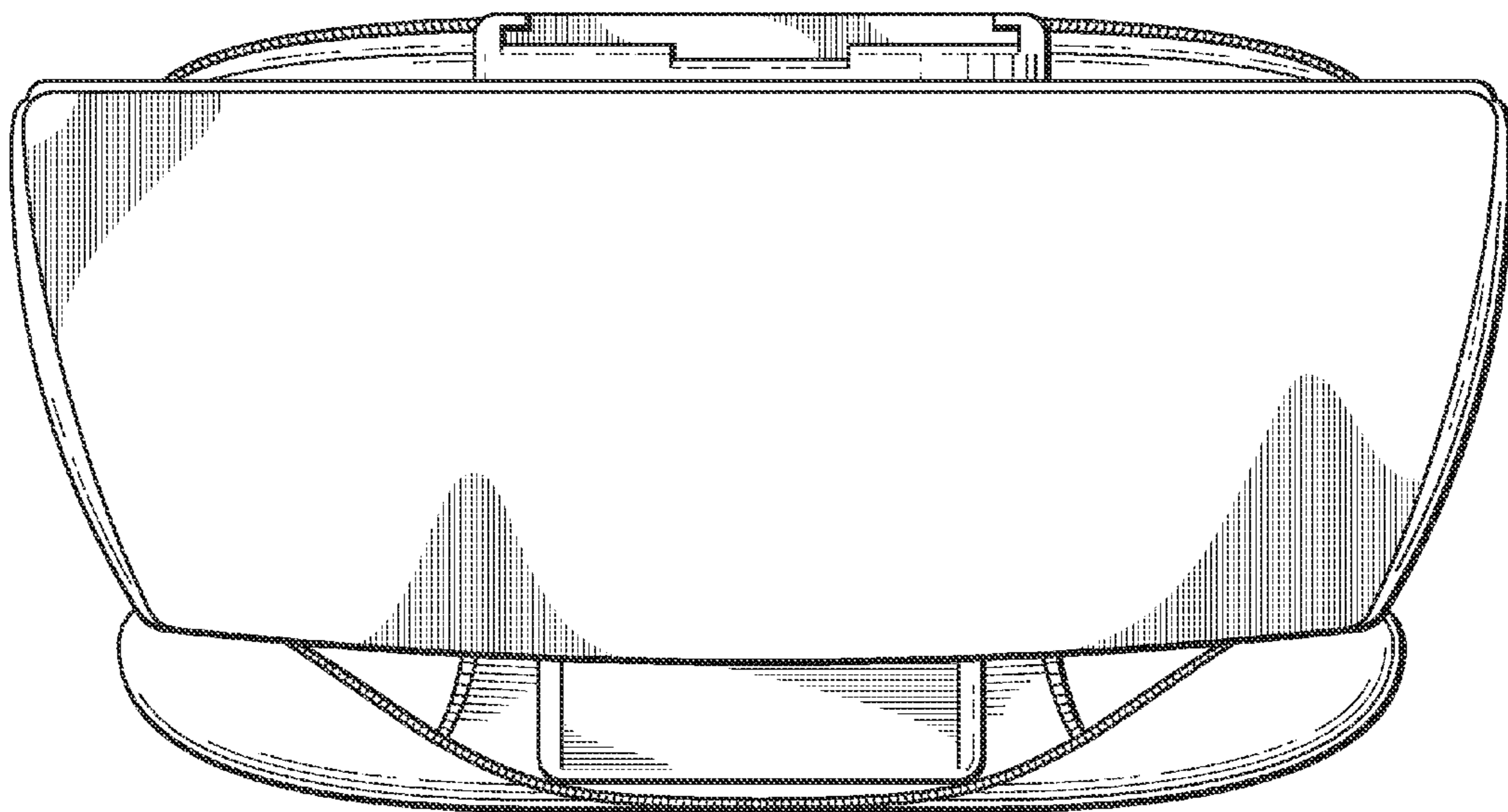


FIG. 11

FIG. 12



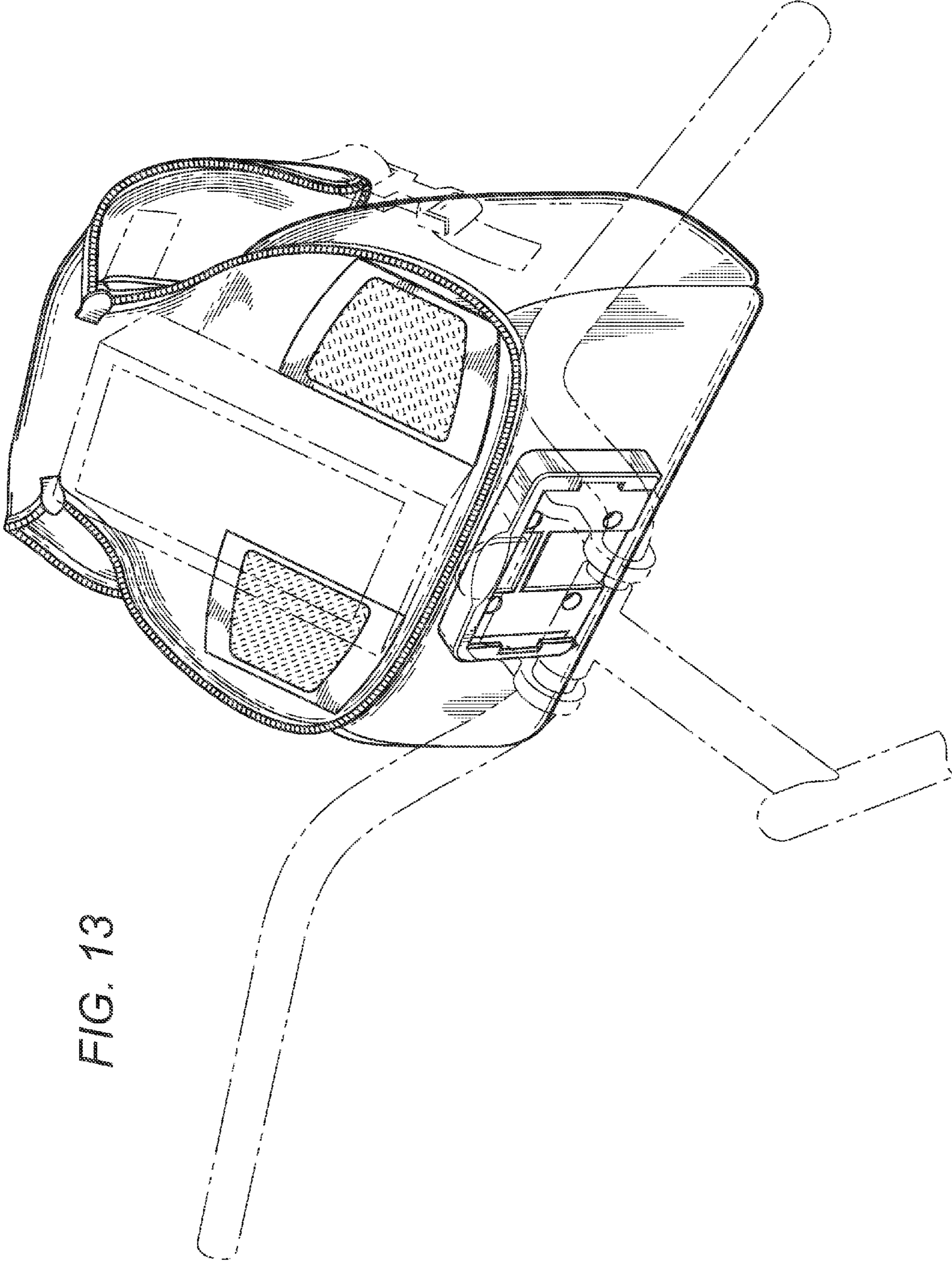


FIG. 13

UNITED STATES PATENT AND TRADEMARK OFFICE  
**CERTIFICATE OF CORRECTION**

PATENT NO. : D691,584 S  
APPLICATION NO. : 29/409029  
DATED : October 15, 2013  
INVENTOR(S) : Marc Nussbaum and Sherri Nussbaum

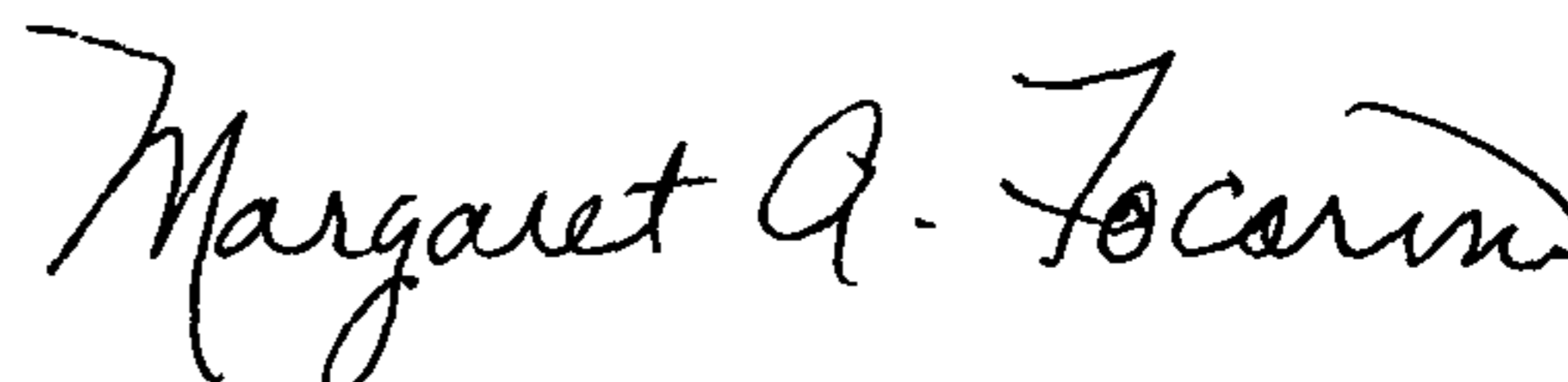
Page 1 of 1

It is certified that error appears in the above-identified patent and that said Letters Patent is hereby corrected as shown below:

Title Page

Under DESCRIPTION, line 1,  
replace "FIG. 1 is a perspective view of a bag from the top, front and ride side showing our new design;" with "FIG. 1 is a perspective view of a bag from the top, front and right side showing our new design;"

Signed and Sealed this  
Thirty-first Day of December, 2013



Margaret A. Focarino  
*Commissioner for Patents of the United States Patent and Trademark Office*