



US00D691582S

(12) **United States Design Patent**
Nguyen et al.

(10) **Patent No.:** **US D691,582 S**

(45) **Date of Patent:** **** Oct. 15, 2013**

(54) **HEADSET**

(75) Inventors: **Anh Nguyen**, San Mateo, CA (US);
Dana Krieger, Albany, CA (US);
Nathaniel G Cervantes, San Francisco,
CA (US); **Adam Barry**, San Francisco,
CA (US)

(73) Assignee: **Skullcandy, Inc.**, Park City, UT (US)

(**) Term: **14 Years**

(21) Appl. No.: **29/430,208**

(22) Filed: **Aug. 22, 2012**

(51) **LOC (9) Cl.** **14-01**

(52) **U.S. Cl.**
USPC **D14/205**

(58) **Field of Classification Search**
USPC D14/205, 206, 188, 192, 225, 255;
D29/112; 2/209; 379/430, 431;
381/380, 381, 374, 375, 376; 455/90.3,
455/575.1
See application file for complete search history.

(56) **References Cited**

U.S. PATENT DOCUMENTS

3,811,382	A	*	5/1974	Buchter et al.	104/7.3
D237,307	S	*	10/1975	Miyamoto	D14/192
D319,241	S	*	8/1991	Daido et al.	D14/205
D331,059	S	*	11/1992	Sogabe et al.	D14/205
D340,033	S	*	10/1993	Okumura et al.	D14/192
D351,172	S	*	10/1994	Nakamura et al.	D14/205
D352,036	S	*	11/1994	Sekita	D14/192
D353,817	S	*	12/1994	Wada	D14/205
D357,477	S	*	4/1995	Mueller et al.	D14/206
D386,181	S	*	11/1997	Fisher	D14/205
6,560,346	B2	*	5/2003	Ohta et al.	381/382
D491,163	S	*	6/2004	Green	D14/205

D505,413	S	*	5/2005	Skulley et al.	D14/223
D517,528	S	*	3/2006	Skulley	D14/206
D518,479	S	*	4/2006	Skulley	D14/225
D520,492	S	*	5/2006	Chen	D14/205
D531,165	S	*	10/2006	Rath	D14/206
D540,303	S	*	4/2007	Rausch et al.	D14/205
D540,778	S	*	4/2007	Thompson et al.	D14/206
D597,072	S	*	7/2009	Asai	D14/206
D613,266	S	*	4/2010	Barry et al.	D14/205
D623,627	S	*	9/2010	Alden et al.	D14/205
D641,725	S	*	7/2011	Chong et al.	D14/205
D648,318	S	*	11/2011	Huang	D14/206
D649,528	S	*	11/2011	Park	D14/205
D652,017	S	*	1/2012	Groves et al.	D14/206
D654,472	S	*	2/2012	Fischer	D14/206
D664,625	S	*	7/2012	Minica	D22/107
D666,168	S	*	8/2012	Rath	D14/206
D674,372	S	*	1/2013	Kelly et al.	D14/205
D674,767	S	*	1/2013	Brunner et al.	D14/205
D677,648	S	*	3/2013	Lee et al.	D14/206
D680,516	S	*	4/2013	Lee	D14/205

* cited by examiner

Primary Examiner — Paula Greene

(74) *Attorney, Agent, or Firm* — TraskBritt

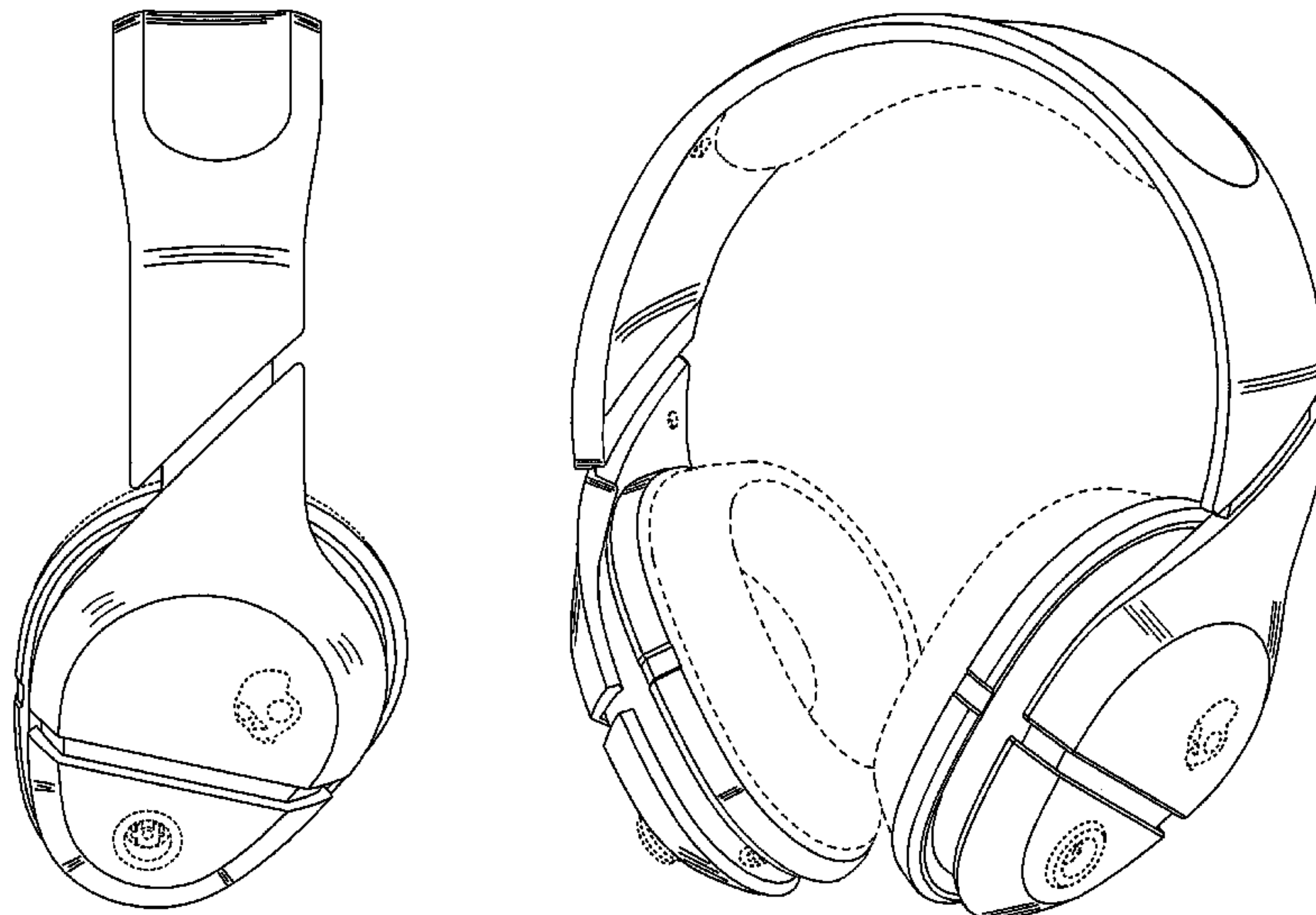
(57) **CLAIM**

The ornamental design for a headset, as shown and described.

DESCRIPTION

FIG. 1 is a front view of an embodiment of a headset;
FIG. 2 is a rear view of the headset shown in FIG. 1;
FIG. 3 is a right side view of the headset shown in FIG. 1;
FIG. 4 is a left side view of the headset shown in FIG. 1;
FIG. 5 is a top view of the headset shown in FIG. 1;
FIG. 6 is a bottom view of the headset shown in FIG. 1; and,
FIG. 7 is a perspective view of the headset shown in FIG. 1.
The broken lines in FIGS. 1 through 7 are for environmental
purposes only and do not form any part of the claimed design.

1 Claim, 7 Drawing Sheets



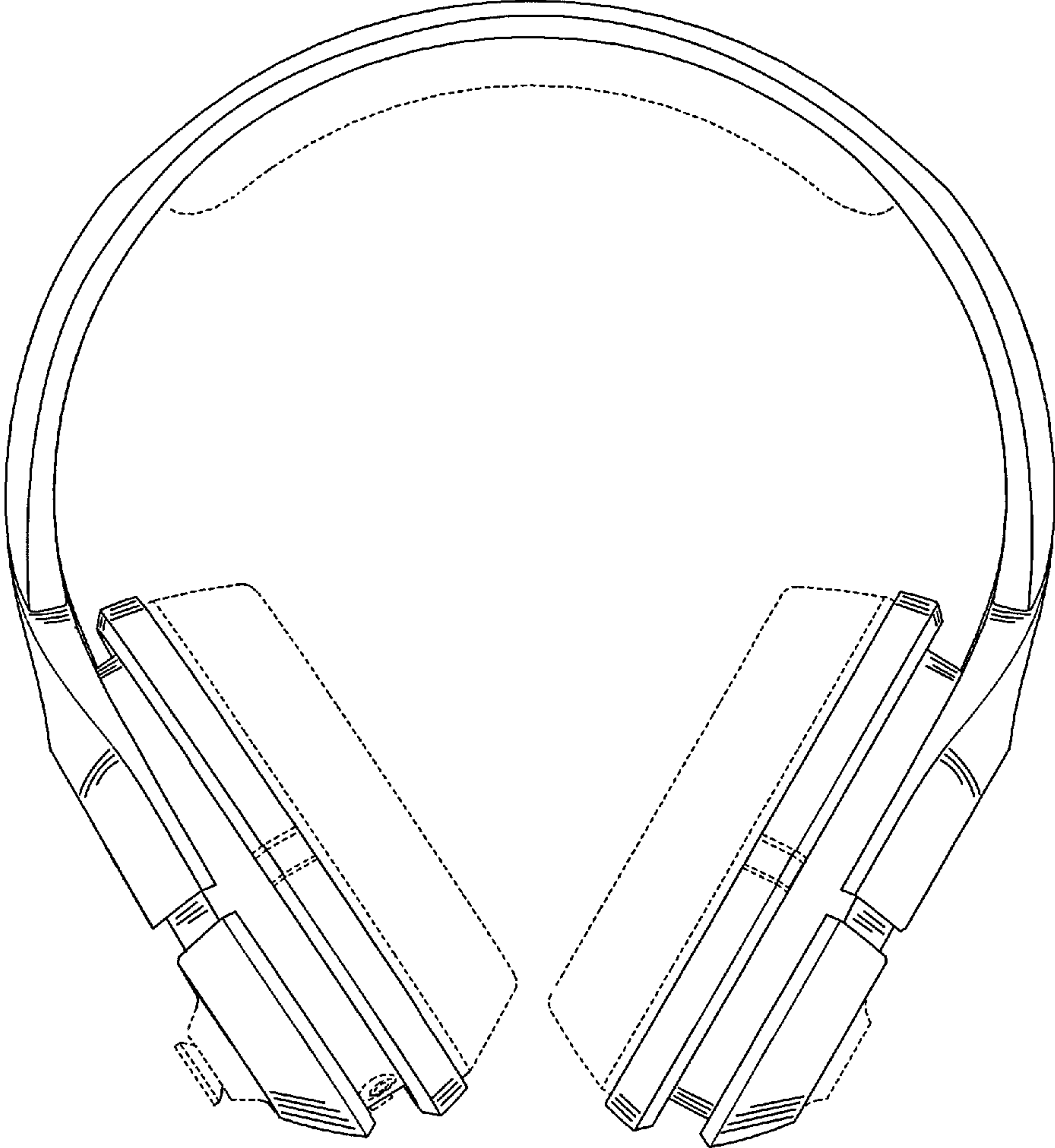


FIG. 1



FIG. 2

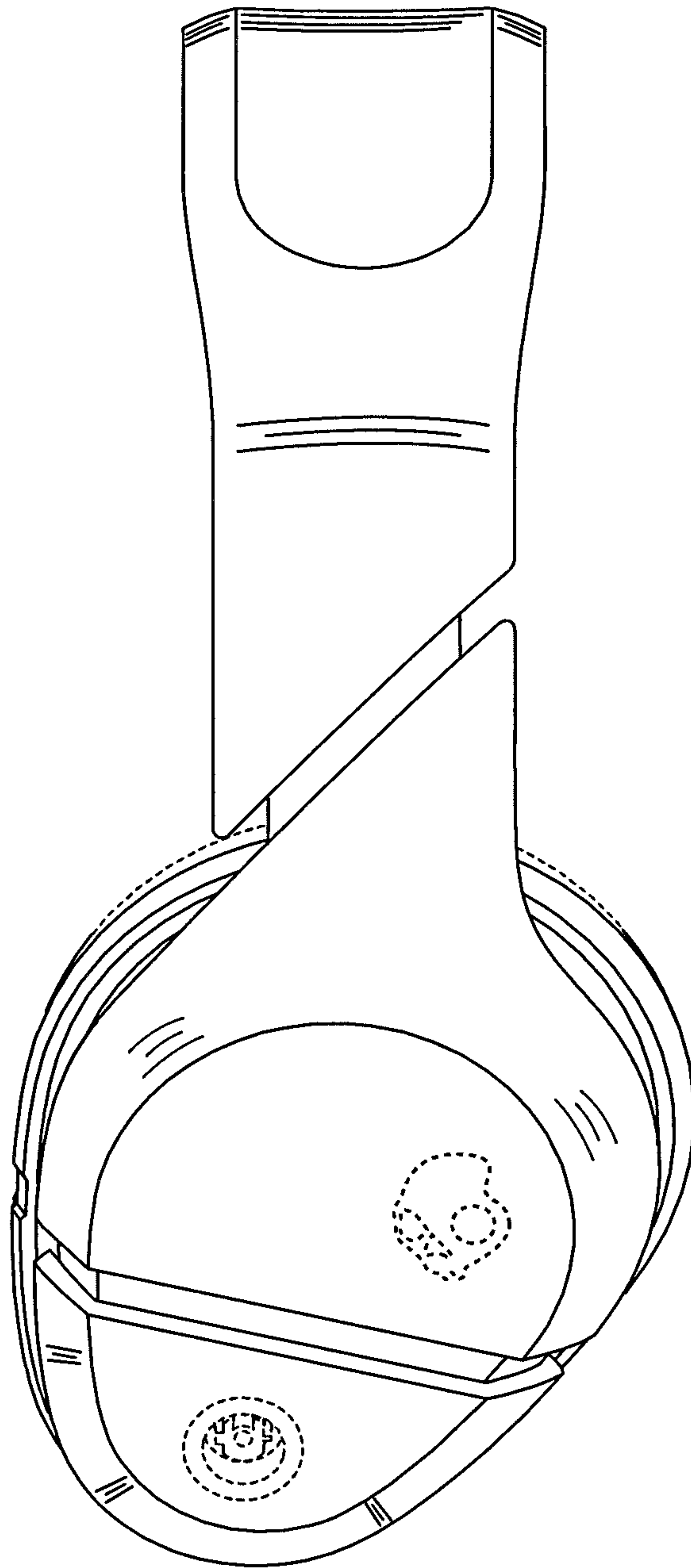


FIG. 3

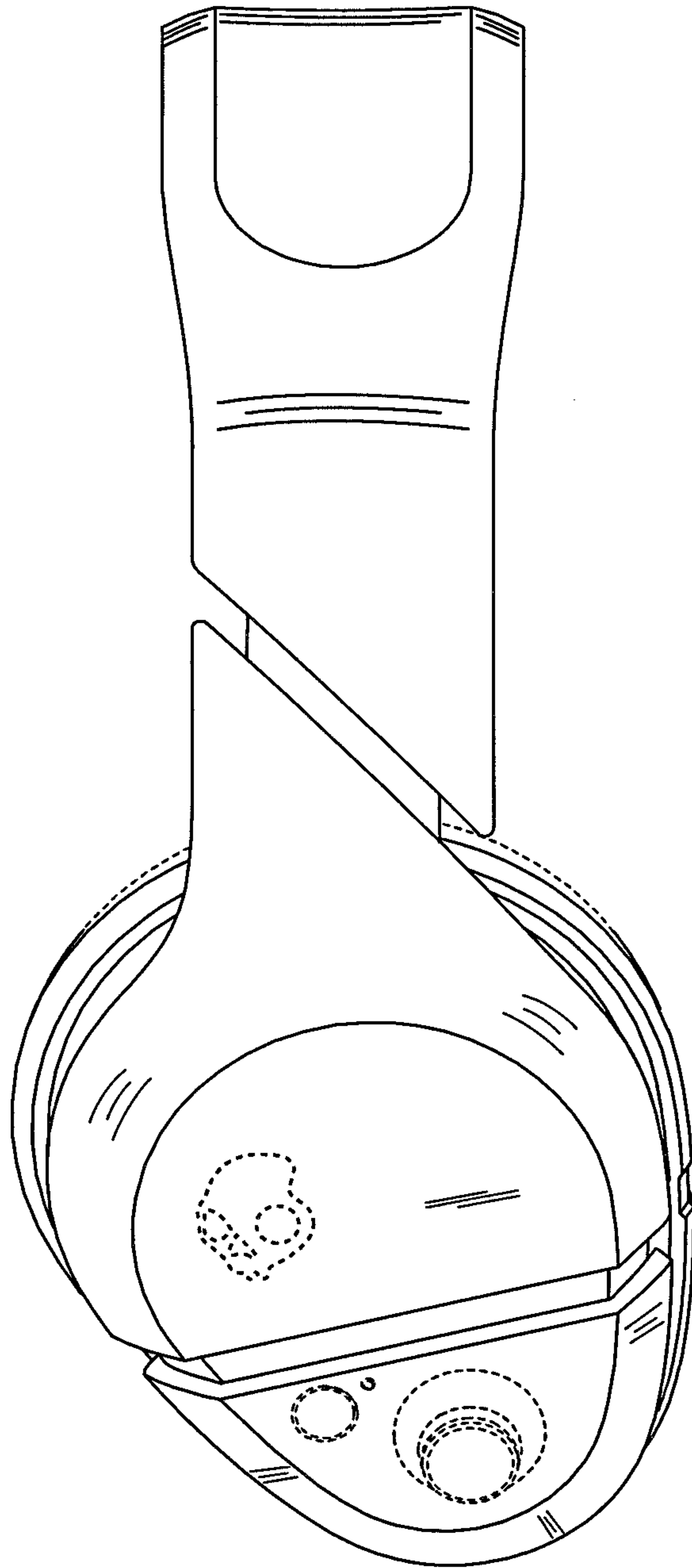


FIG. 4

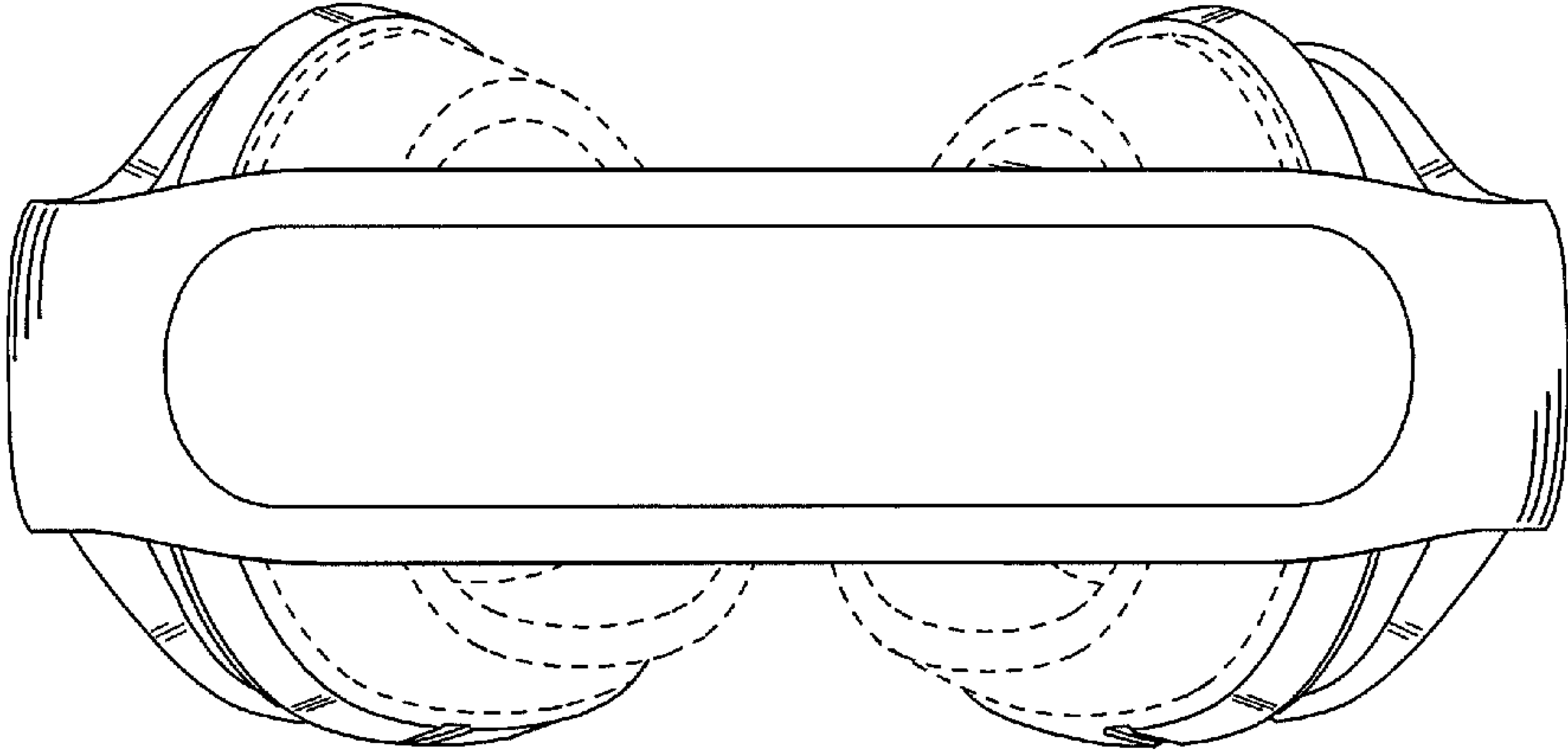


FIG. 5

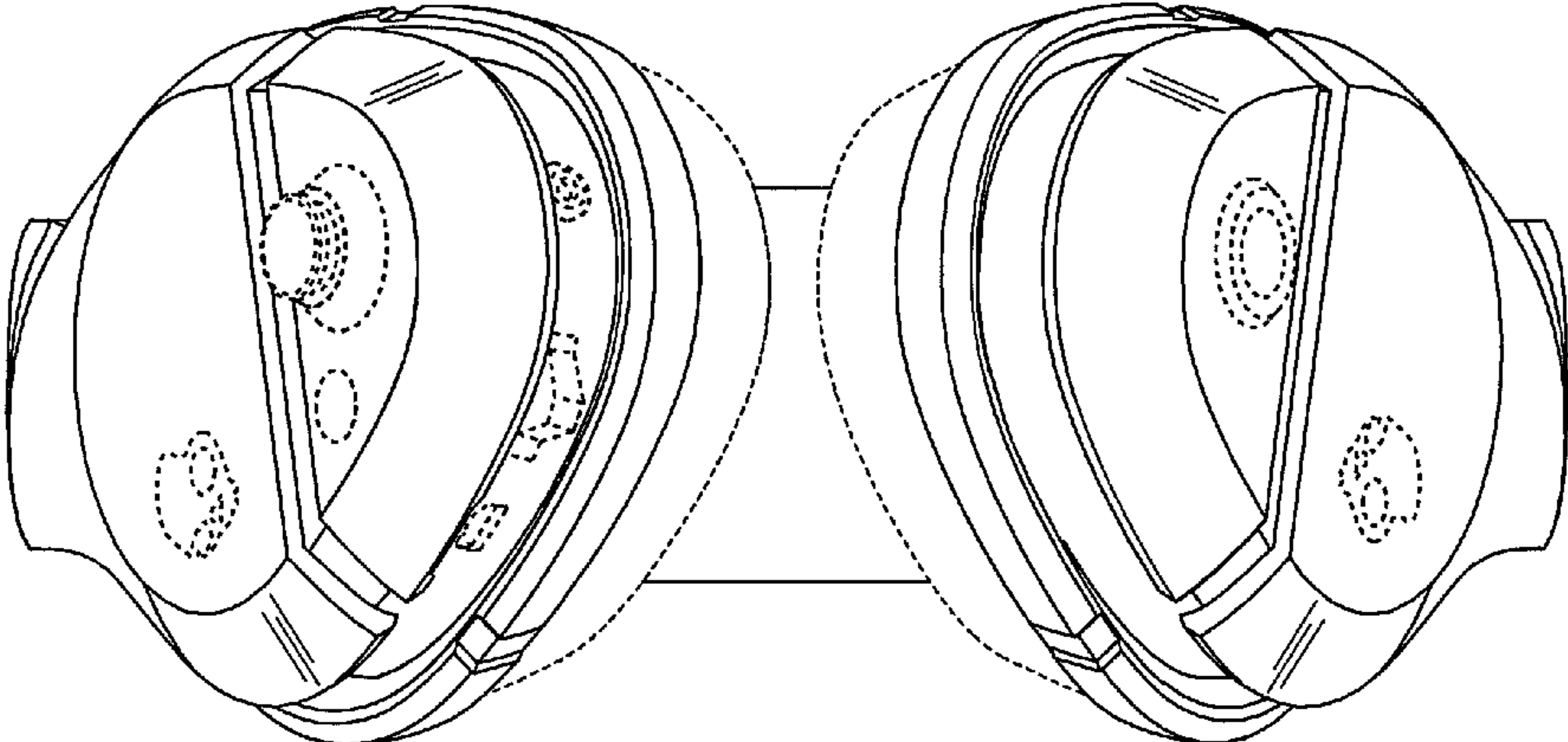


FIG. 6

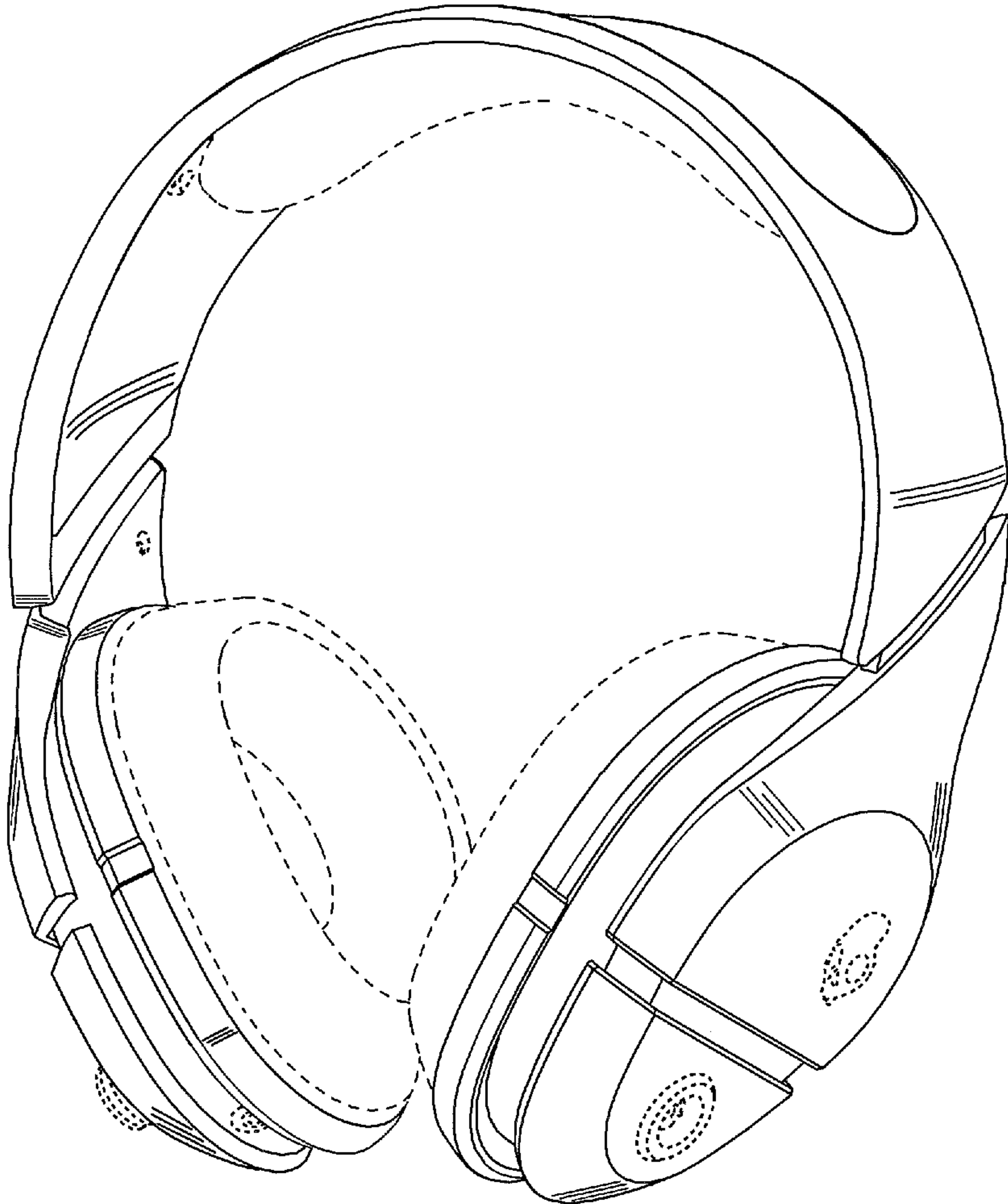


FIG. 7