

US00D691581S

(12) **United States Design Patent**  
**Mercs et al.**

(10) **Patent No.:** **US D691,581 S**

(45) **Date of Patent:** **\*\* Oct. 15, 2013**

(54) **ORGANIZER FOR A HEADPHONE WIRE**

(76) Inventors: **James S. Mercs**, Huntington Beach, CA (US); **Christopher B. Mercs**, Huntington Beach, CA (US)

(\*\*) Term: **14 Years**

(21) Appl. No.: **29/425,308**

(22) Filed: **Jun. 21, 2012**

**Related U.S. Application Data**

(63) Continuation-in-part of application No. 29/419,742, filed on May 1, 2012.

(51) **LOC (9) Cl.** ..... **14-01**

(52) **U.S. Cl.**  
USPC ..... **D14/205**

(58) **Field of Classification Search**  
USPC ..... D14/205, 206, 223, 229; 381/370, 380, 381/381; D22/144, 147; D8/356, 358, 394; D3/23; 242/405.1, 405.2, 157 R, 222; 43/57.2, 54.1, 57.1, 54.5 R; D2/639; 206/521, 521.15; 132/323; 434/260  
See application file for complete search history.

(56) **References Cited**

**U.S. PATENT DOCUMENTS**

1,755,903 A \* 4/1930 Townsend ..... 43/57.1  
2,016,181 A \* 10/1935 Sharp ..... 242/587.2  
2,048,300 A \* 7/1936 Showers ..... 242/407

(Continued)

*Primary Examiner* — Paula Greene

(74) *Attorney, Agent, or Firm* — Edwards Wildman Palmer LLP; Douglas S. Rupert

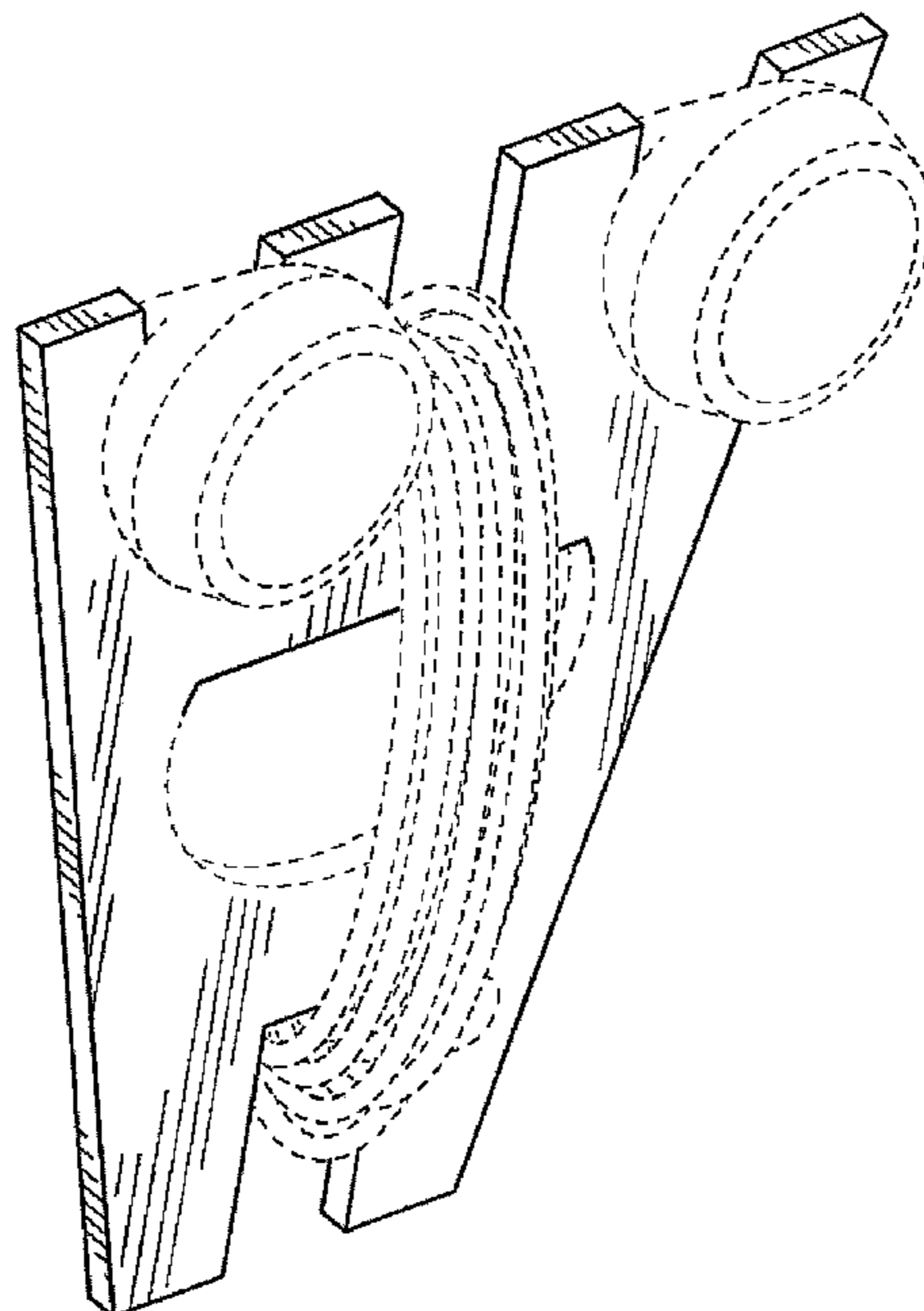
(57) **CLAIM**

We claim the ornamental design for an organizer for a headphone wire, as shown and described.

**DESCRIPTION**

FIG. 1 is a top, front perspective view of an organizer for a headphone wire defining at least a portion of an opening adapted to open a bottle cap on a bottle;  
FIG. 2 is a bottom view of the organizer in FIG. 1;  
FIG. 3 is a top view of the organizer in FIG. 1;  
FIG. 4 is a front view of the organizer in FIG. 1;  
FIG. 5 is a rear view of the organizer in FIG. 1;  
FIG. 6 is a right side view of the organizer in FIG. 1;  
FIG. 7 is a left side view of the organizer in FIG. 1;  
FIG. 8 is a top, front perspective view of the organizer in FIG. 1 shown with exemplary environment such as a headphone and associated wire;  
FIG. 9 is a top, front perspective view of another organizer for a headphone wire;  
FIG. 10 is a bottom view of the organizer in FIG. 9;  
FIG. 11 is a top view of the organizer in FIG. 9;  
FIG. 12 is a front view of the organizer in FIG. 9;  
FIG. 13 is a rear view of the organizer in FIG. 9;  
FIG. 14 is a right side view of the organizer in FIG. 9;  
FIG. 15 is a left side view of the organizer in FIG. 9; and,  
FIG. 16 is a top, front perspective view of the organizer in FIG. 9 shown with exemplary environment such as a headphone and associated wire.  
Portions of the organizer for a headphone wire and any exemplary environment shown in broken lines are for illustrative purposes only and form no part of the claimed design.

**1 Claim, 6 Drawing Sheets**



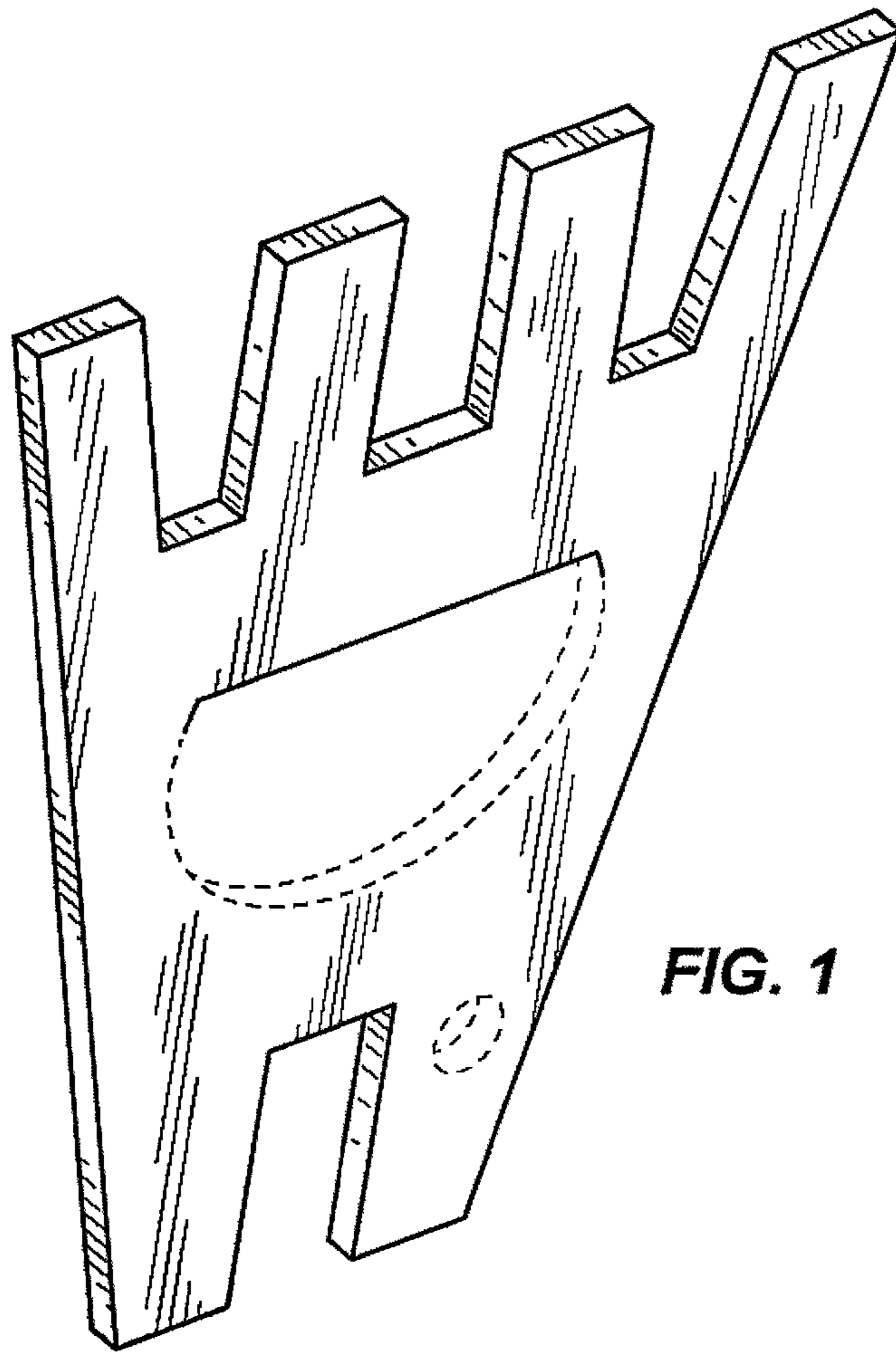
(56)

**References Cited**

U.S. PATENT DOCUMENTS

2,292,140	A *	8/1942	Lofgren	24/130	3,785,080	A *	1/1974	Wallace	43/54.1
2,371,756	A *	3/1945	Gomberg	242/405.1	4,258,843	A *	3/1981	Wymer	206/63.3
2,385,197	A *	9/1945	Eisel	434/260	D284,299	S *	6/1986	Auerbach et al.	D22/143
2,470,212	A *	5/1949	Carlson	242/405.1	4,680,886	A *	7/1987	Caselli, Sr.	43/57.1
D180,332	S *	5/1957	Jackson	D8/358	D292,370	S *	10/1987	Fairbanks	D8/369
3,054,277	A *	9/1962	Broschard	66/1 A	D347,989	S *	6/1994	DeWard	D8/358
3,090,533	A *	5/1963	Claeys et al.	223/35	D576,867	S *	9/2008	Kretz	D8/356
3,357,550	A *	12/1967	Holmes et al.	206/63.3	D596,480	S *	7/2009	Murphy	D8/356
D221,511	S *	8/1971	Dufault	D8/358	D600,673	S *	9/2009	Kim et al.	D14/205
3,724,729	A *	4/1973	Sitts	223/35	D603,376	S *	11/2009	Blasko	D14/223
					D676,021	S *	2/2013	Stevinson	D14/205
					D676,310	S *	2/2013	Lowrance	D8/356

\* cited by examiner



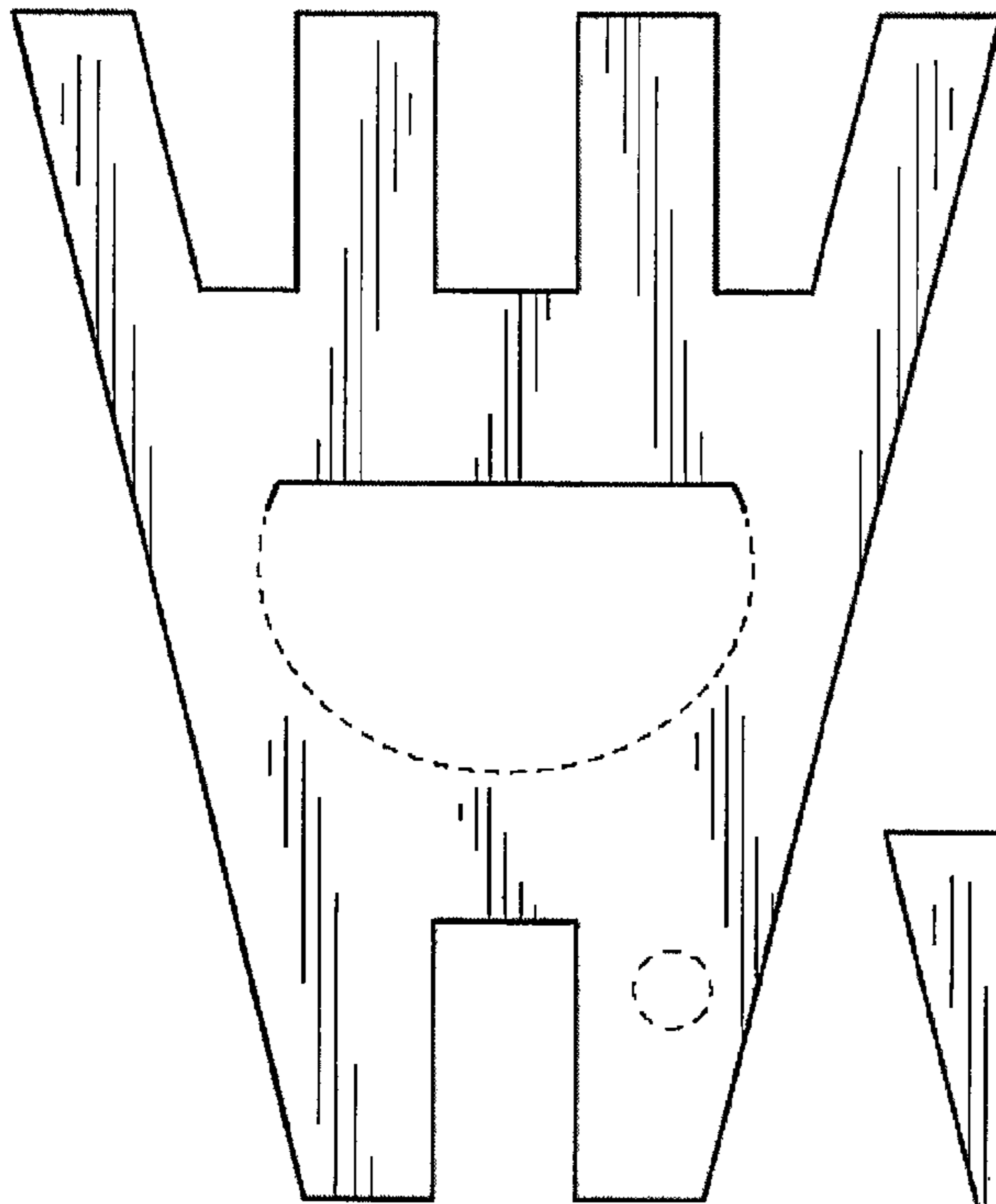
**FIG. 1**



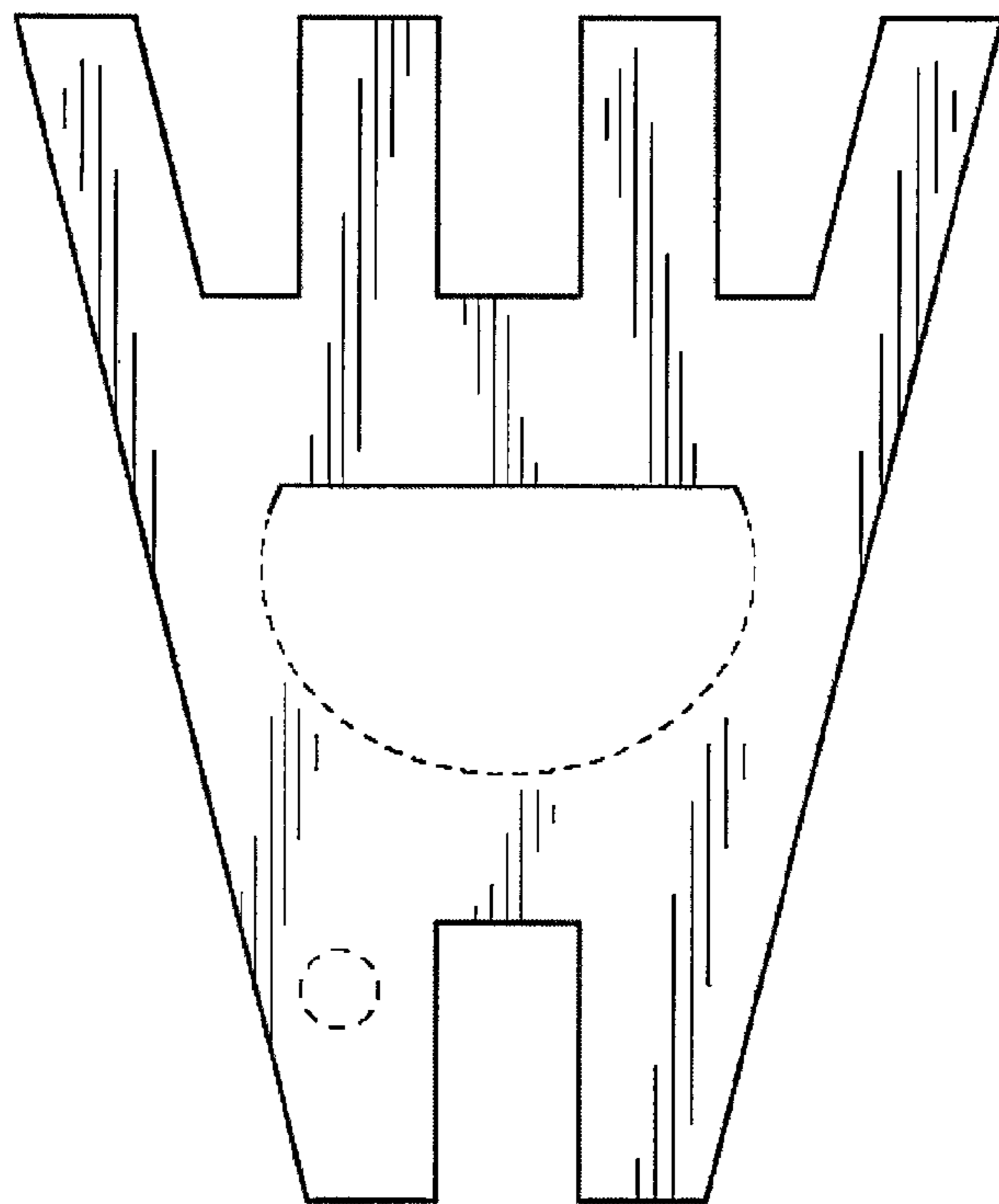
**FIG. 2**



**FIG. 3**



**FIG. 4**



**FIG. 5**



**FIG. 6**



**FIG. 7**

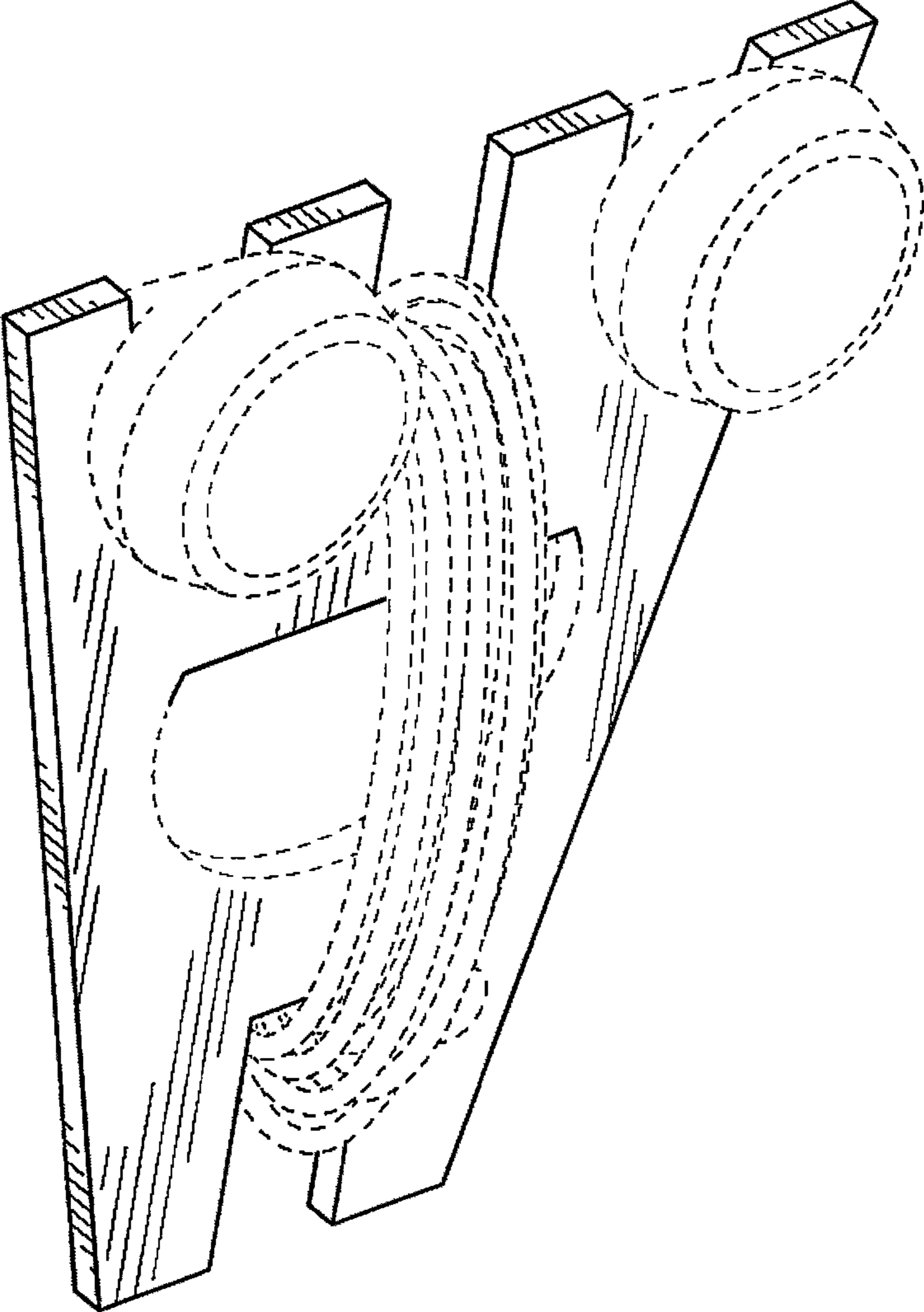
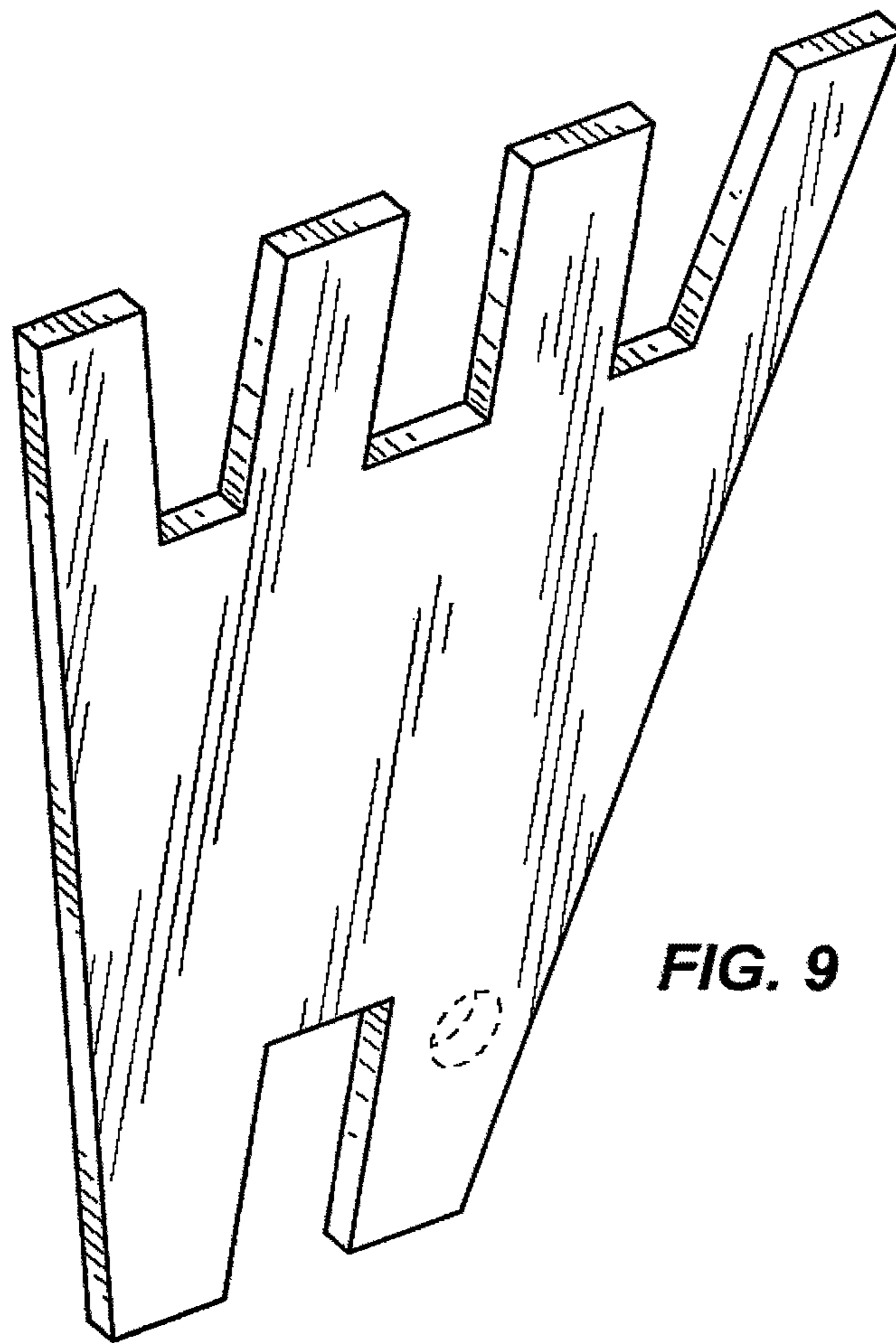
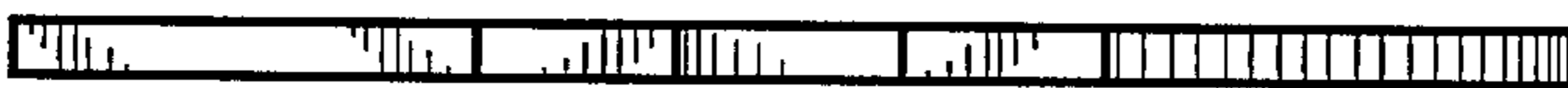


FIG. 8



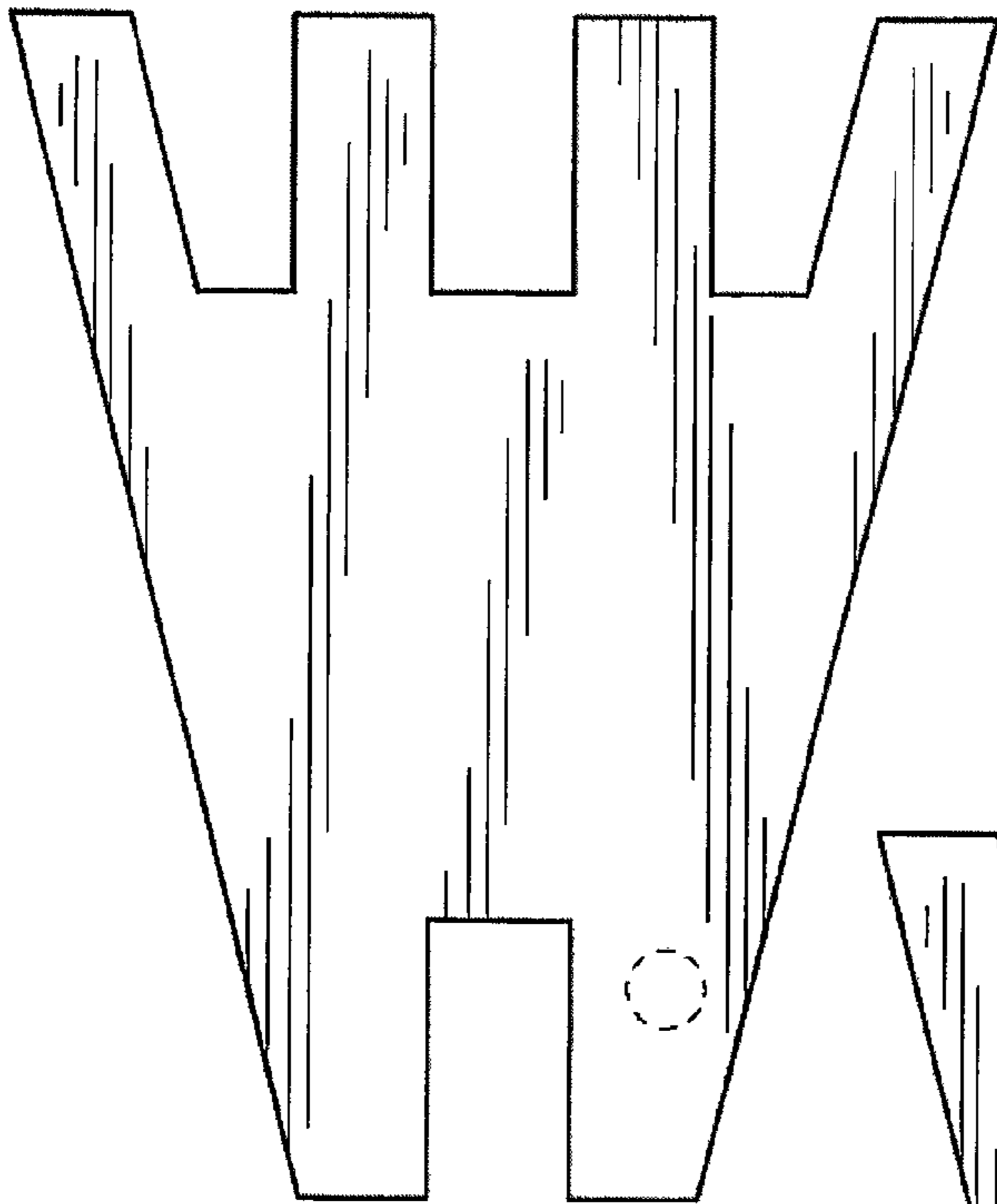
**FIG. 9**



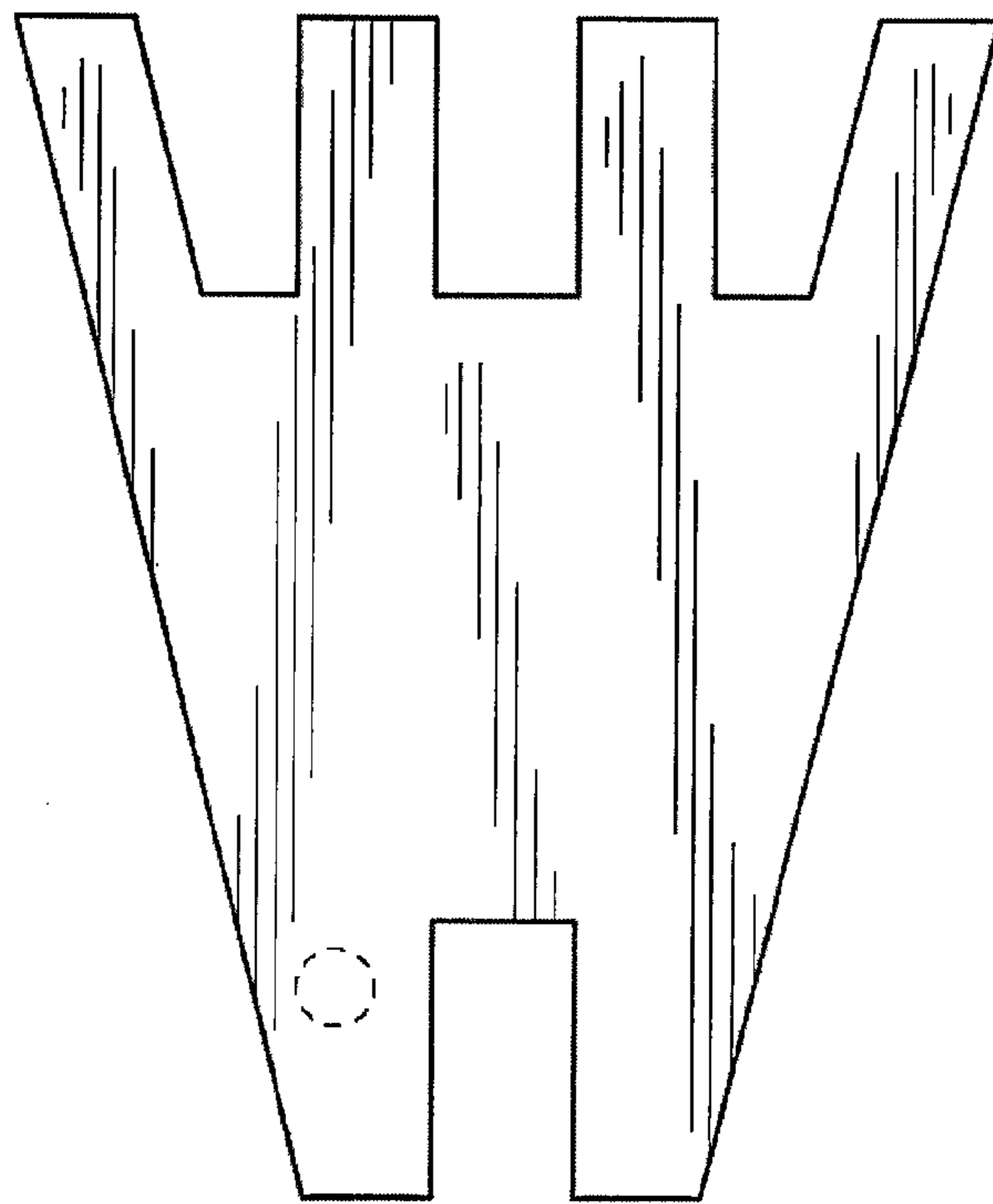
**FIG. 10**



**FIG. 11**



**FIG. 12**



**FIG. 13**



**FIG. 14**



**FIG. 15**

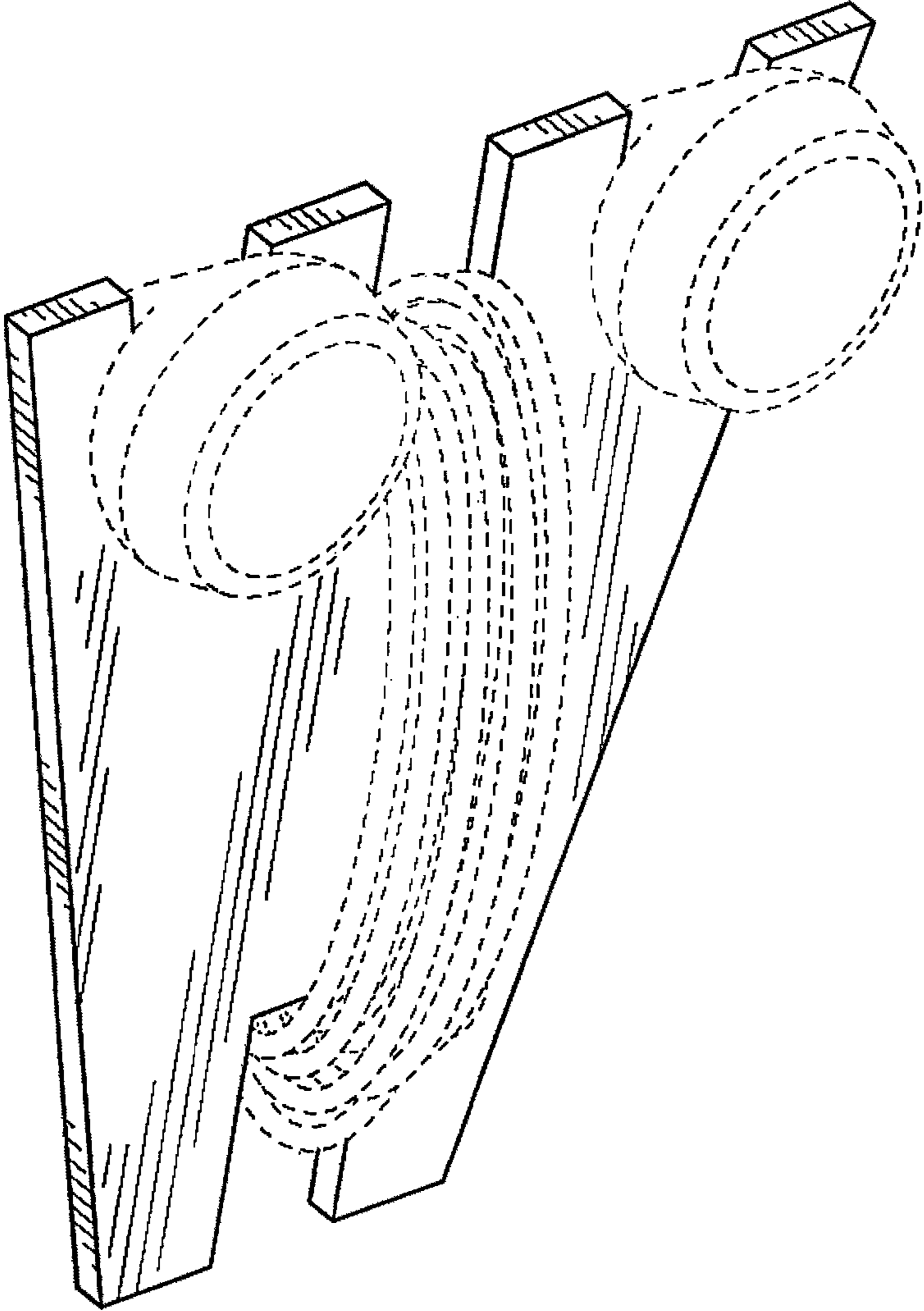


FIG. 16