



US00D691580S

(12) **United States Design Patent**
Cho et al.

(10) **Patent No.:** **US D691,580 S**
(45) **Date of Patent:** **** Oct. 15, 2013**

(54) **HEADPHONE**

(75) Inventors: **Mei San Gigi Cho**, Singapore (SG);
Huang Pheng Vince Ang, Singapore (SG)

(73) Assignee: **Creative Technology Ltd**, Singapore (SG)

(**) Term: **14 Years**

(21) Appl. No.: **29/419,136**

(22) Filed: **Apr. 25, 2012**

(51) **LOC (9) Cl.** **14-01**

(52) **U.S. Cl.**
USPC **D14/205**

(58) **Field of Classification Search**
USPC D14/205, 206, 223; 181/129, 130,
181/135; 379/430, 431; 381/380, 381;
455/90.3, 575.1

See application file for complete search history.

(56) **References Cited**

U.S. PATENT DOCUMENTS

2,501,107	A *	3/1950	Volkman	381/378
D321,879	S *	11/1991	Emmerling	D14/192
D371,558	S *	7/1996	Yoshizawa	D14/205
6,603,863	B1 *	8/2003	Nagayoshi	381/380
D525,614	S *	7/2006	Lee	D14/205
7,120,268	B2 *	10/2006	Murozaki et al.	381/381
D549,215	S *	8/2007	Lee	D14/206
D550,202	S *	9/2007	Meier et al.	D14/206
D559,831	S *	1/2008	Lee	D14/205
D560,206	S *	1/2008	Hermansen	D14/206

D575,268	S *	8/2008	Christopher et al.	D14/205
D587,678	S *	3/2009	Yuyama	D14/205
D606,048	S *	12/2009	Soetejo et al.	D14/223
D617,308	S *	6/2010	Nousiainen et al.	D14/205
D619,561	S *	7/2010	Yang	D14/205
D628,564	S *	12/2010	Chong et al.	D14/223
D641,725	S *	7/2011	Chong et al.	D14/205
D643,416	S *	8/2011	Chong et al.	D14/223
D643,830	S *	8/2011	Fish	D14/205
D645,444	S *	9/2011	Quek	D14/205
D663,714	S *	7/2012	Kang et al.	D14/205
D664,951	S *	8/2012	Ang et al.	D14/223
D668,632	S *	10/2012	Enquist	D14/205
D671,523	S *	11/2012	Daniel	D14/206

* cited by examiner

Primary Examiner — Paula Greene

(74) *Attorney, Agent, or Firm* — Creative Technology Ltd

(57) **CLAIM**

The ornamental design for a headphone, substantially as shown and described.

DESCRIPTION

FIG. 1 is a front and left side perspective view of a headphone showing our new design;

FIG. 2 is a rear and right side perspective view thereof;

FIG. 3 is a front elevational view thereof;

FIG. 4 is rear elevational view thereof;

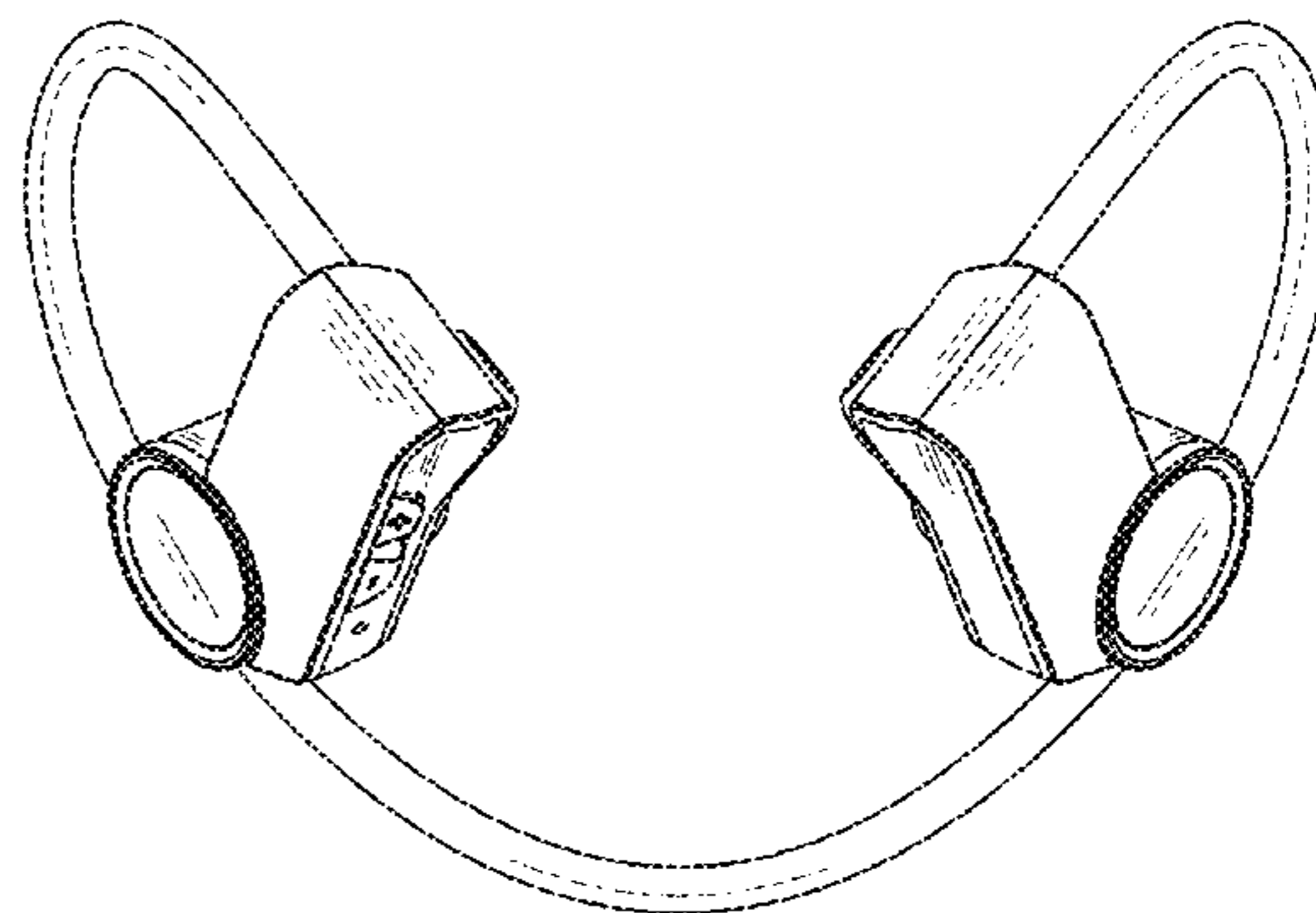
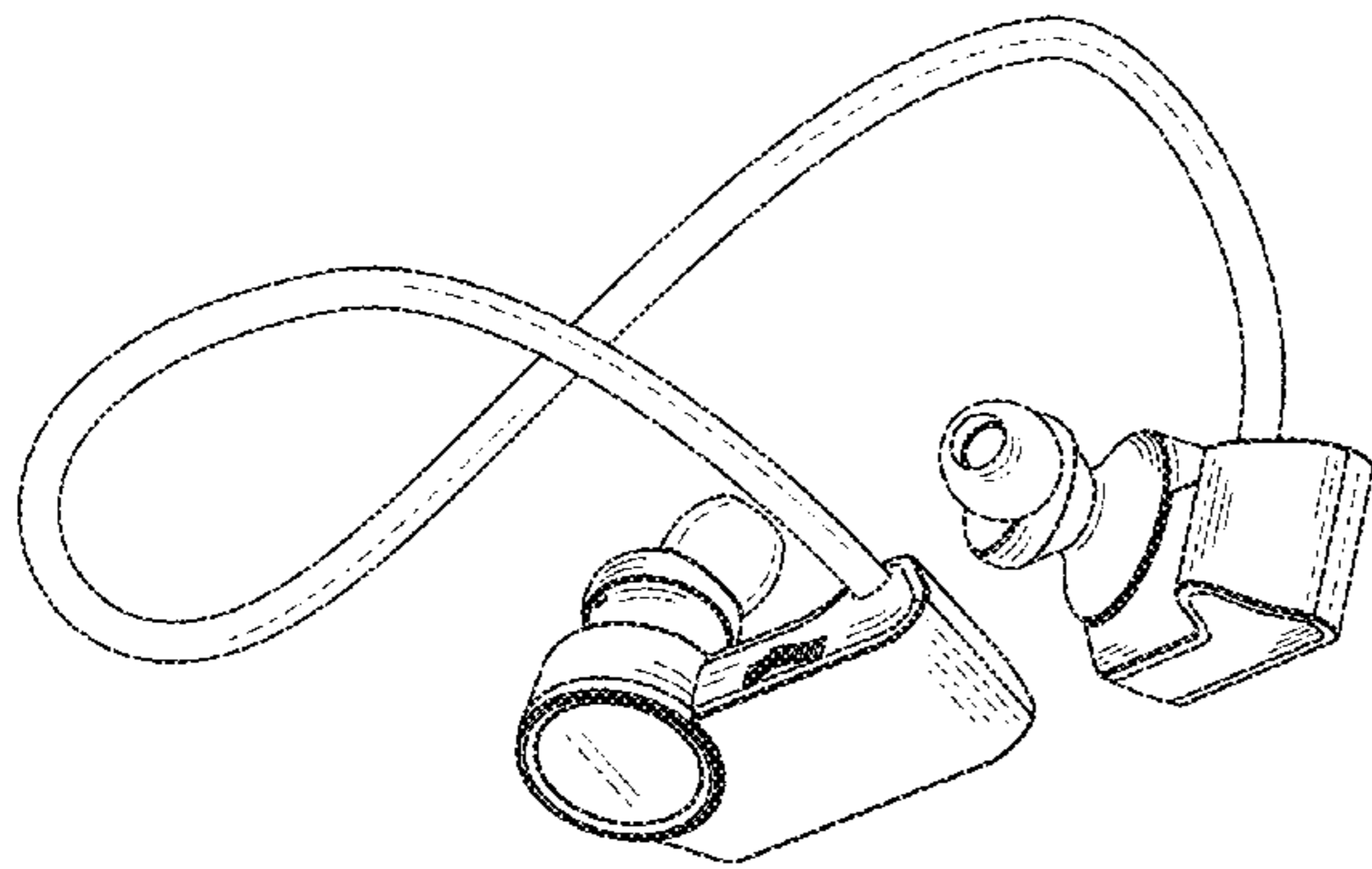
FIG. 5 is a left side elevational view thereof;

FIG. 6 is a right side elevational view thereof;

FIG. 7 is a top plan view thereof; and,

FIG. 8 is a bottom plan view thereof.

1 Claim, 4 Drawing Sheets



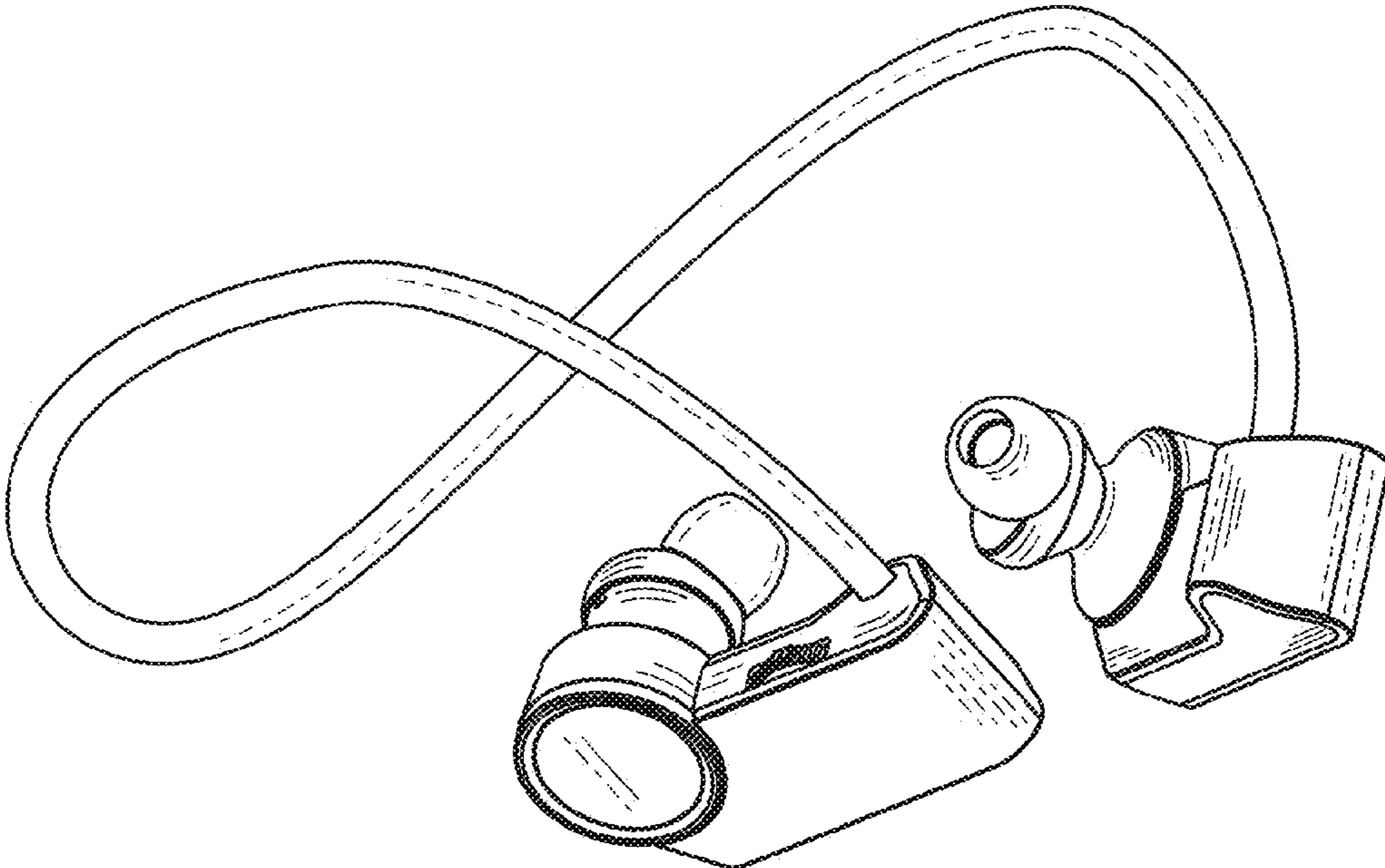


FIG. 1

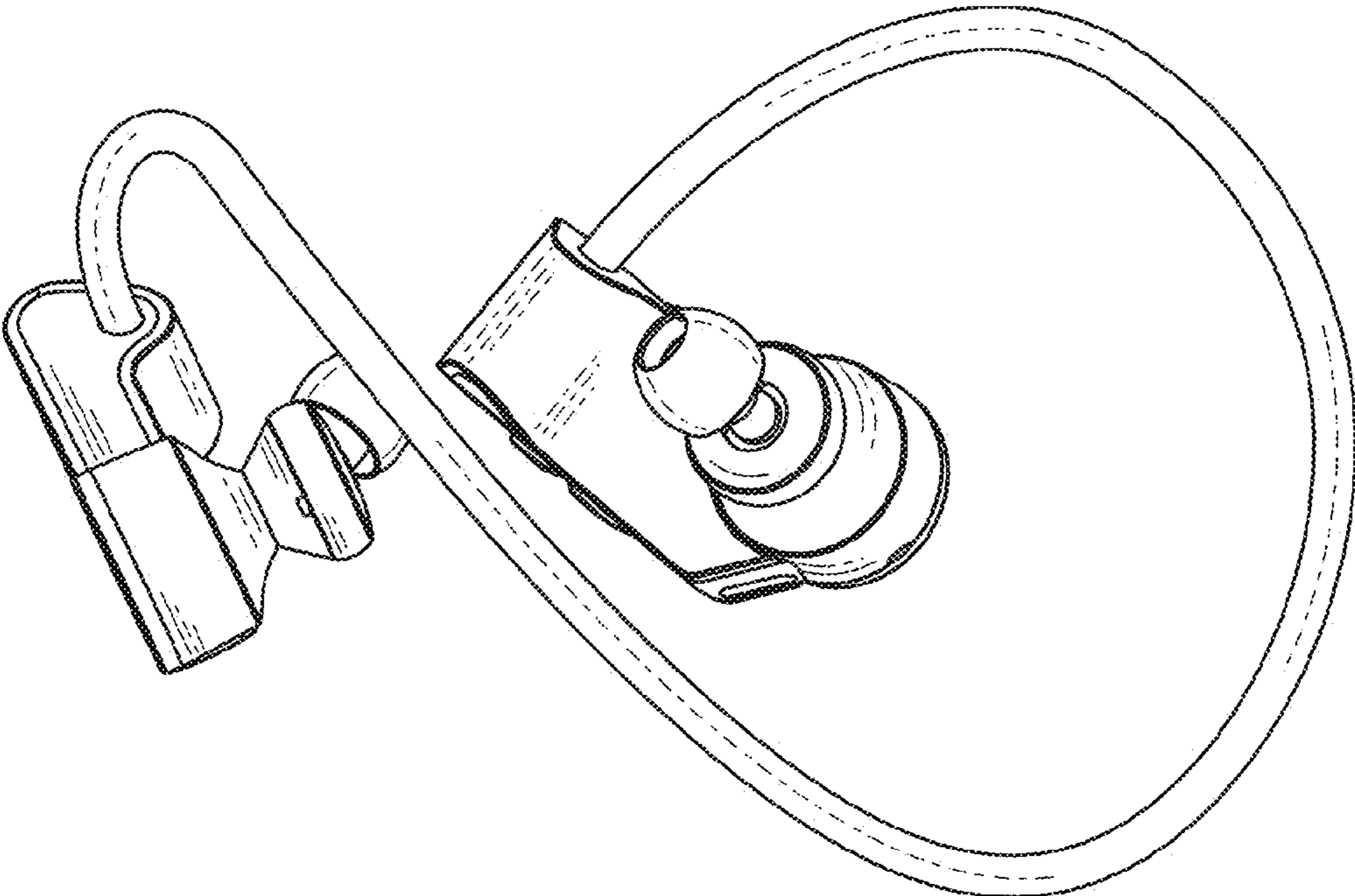


FIG. 2

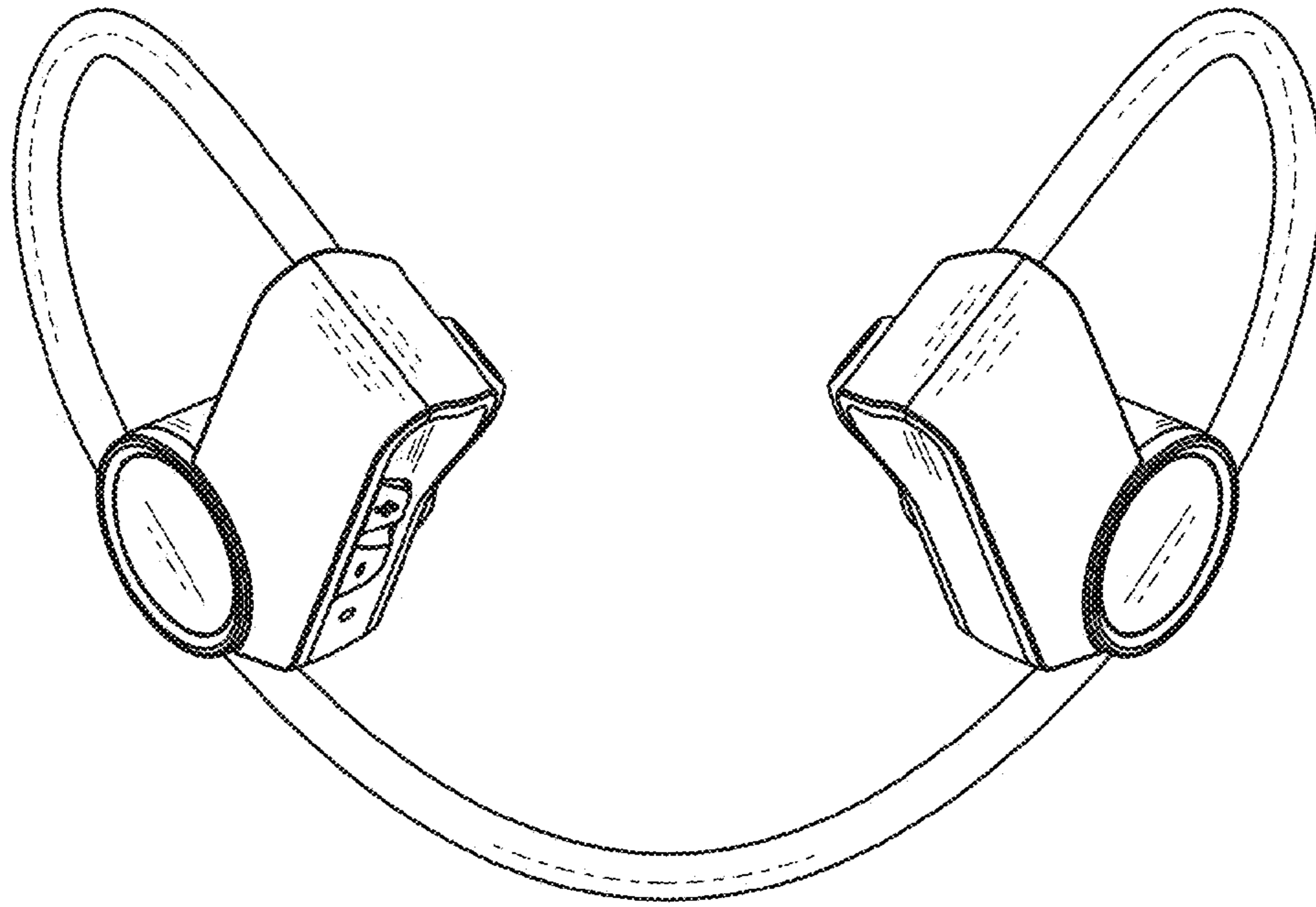


FIG. 3

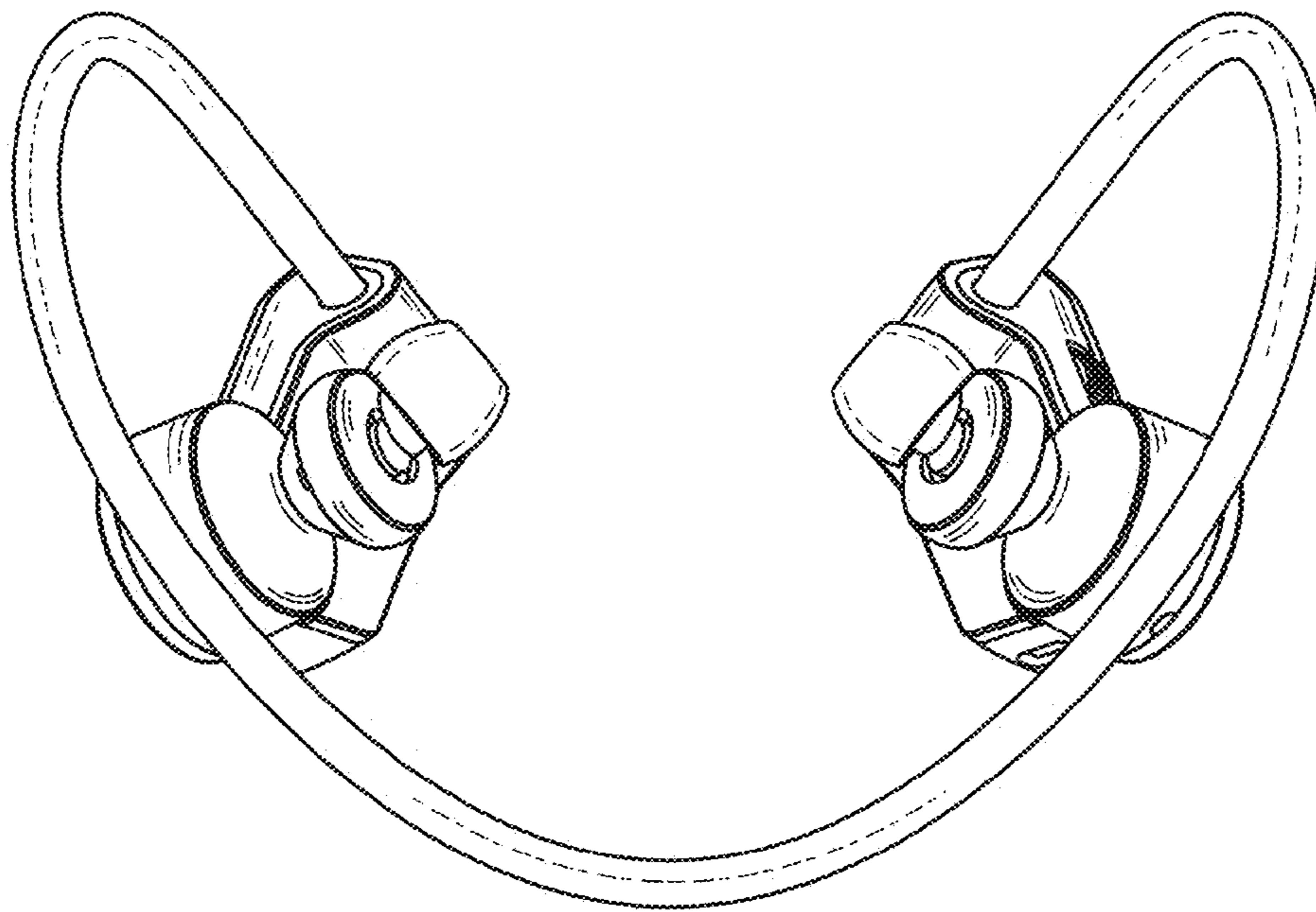


FIG. 4

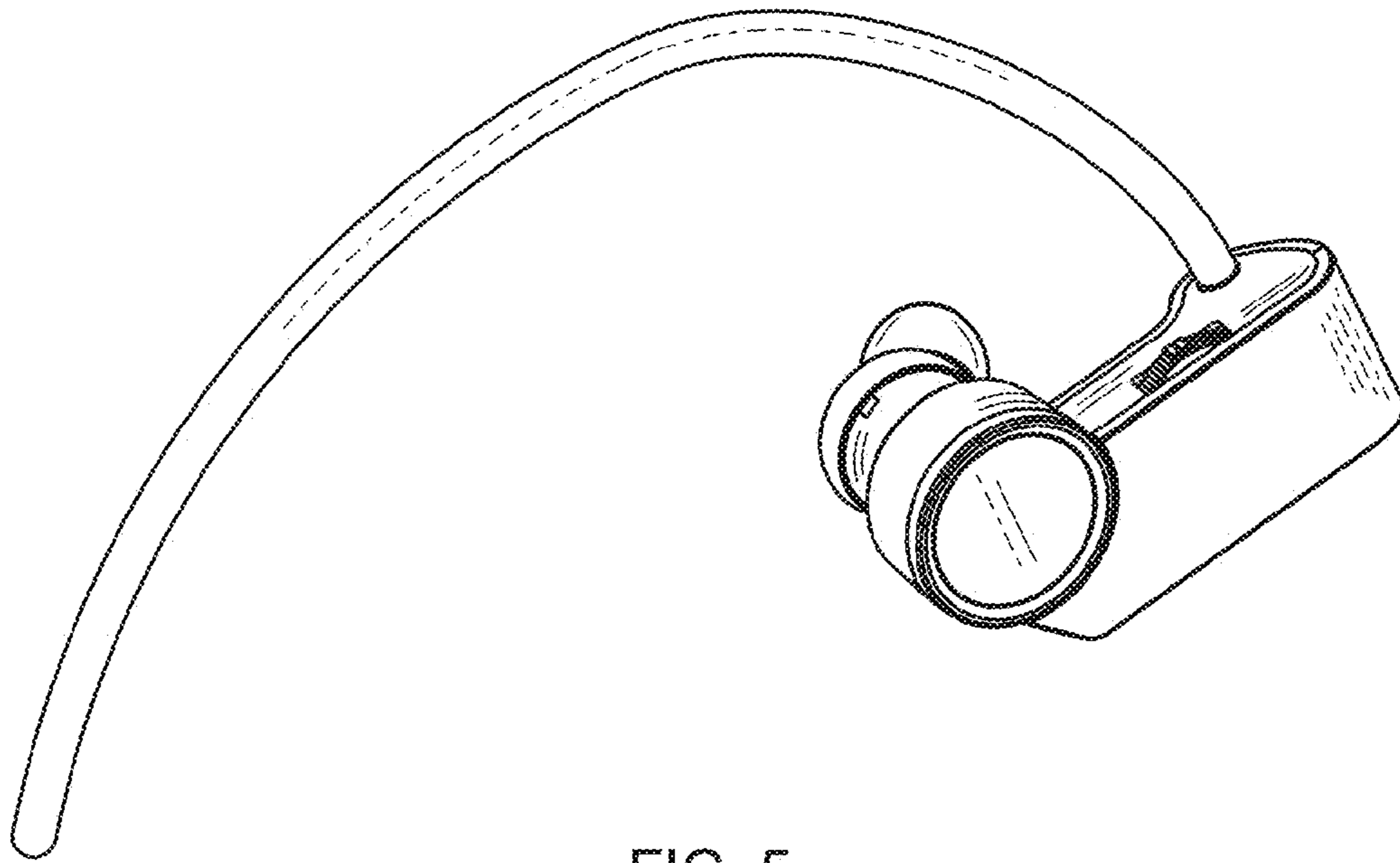


FIG. 5

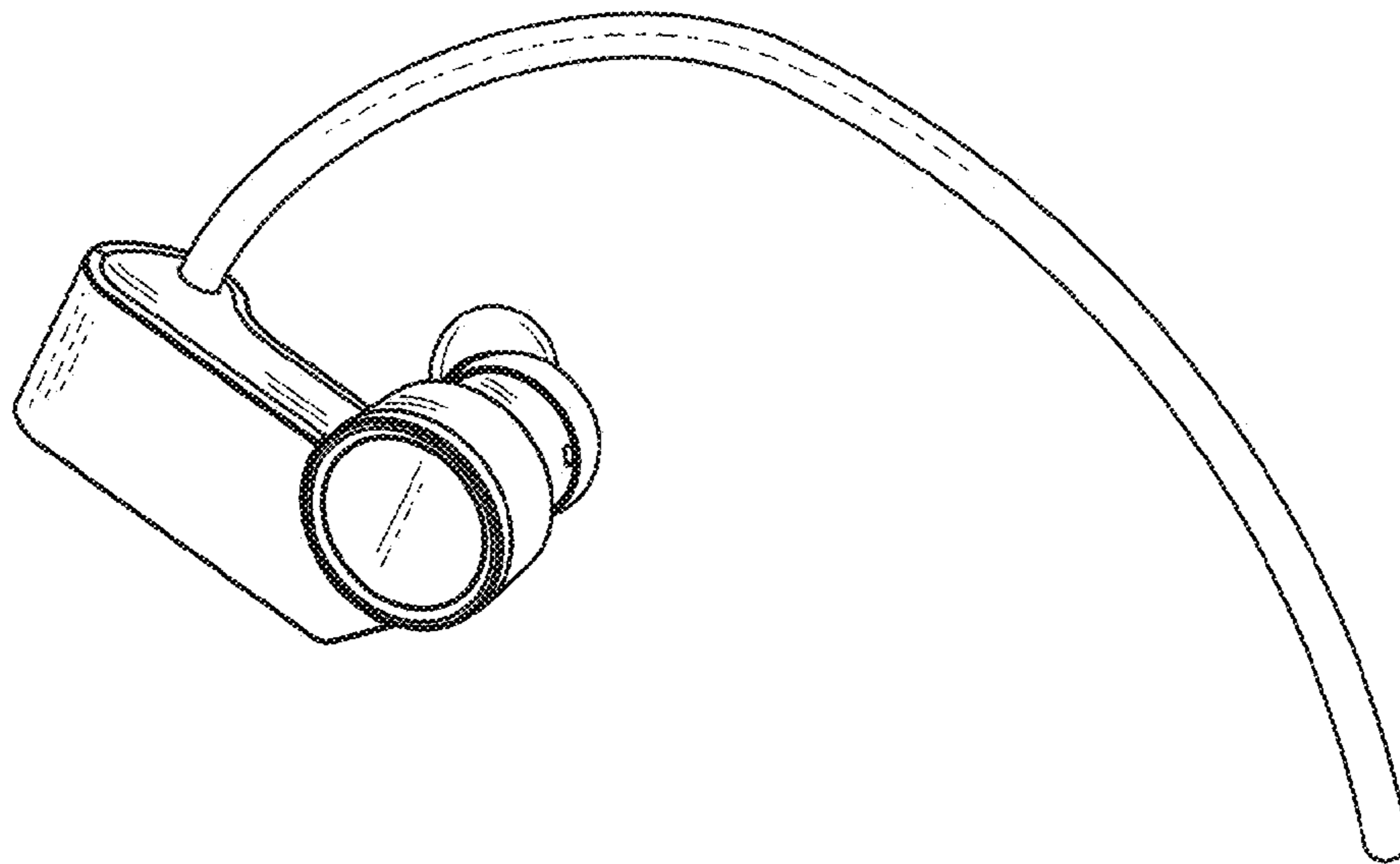


FIG. 6

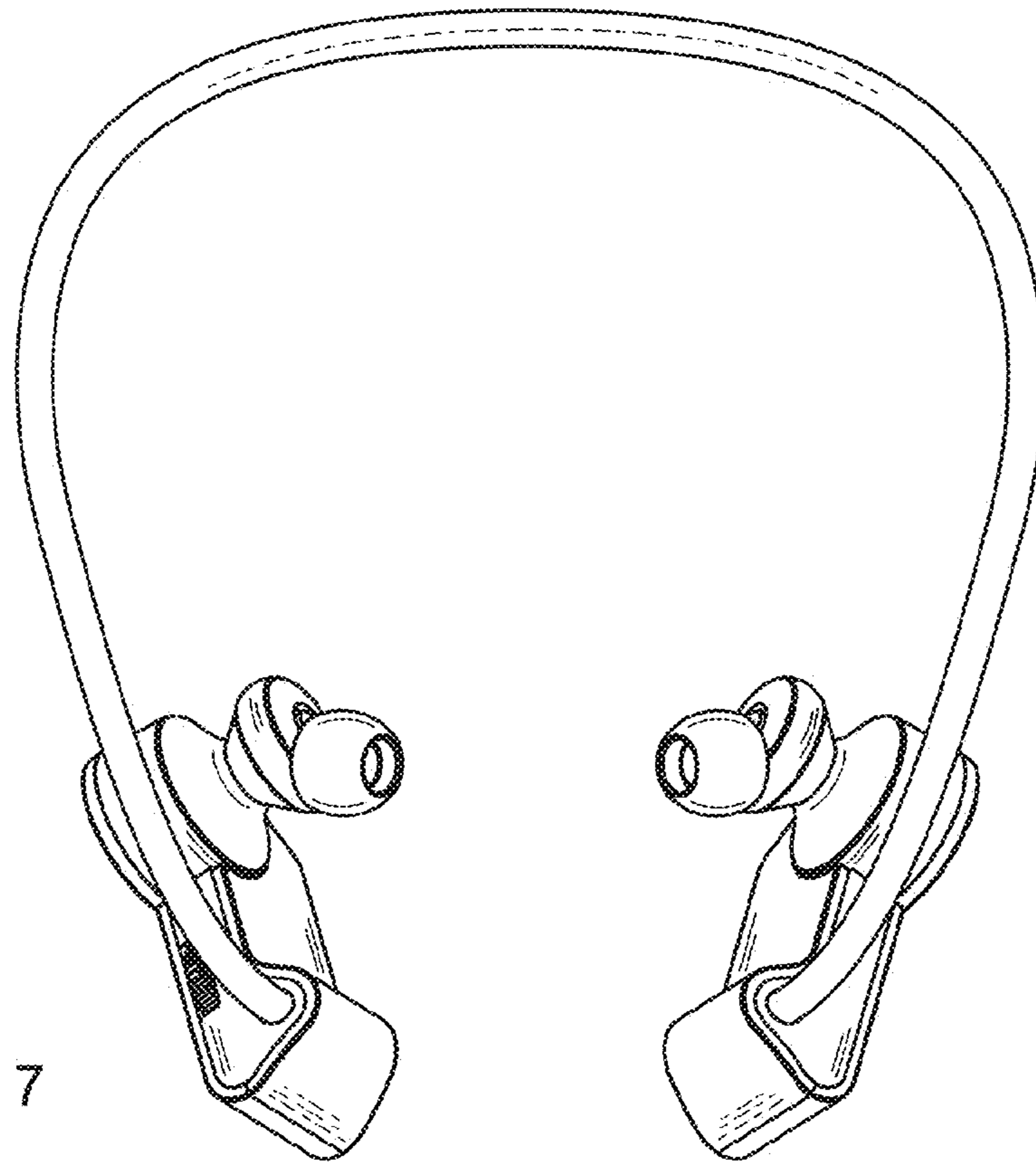


FIG. 7

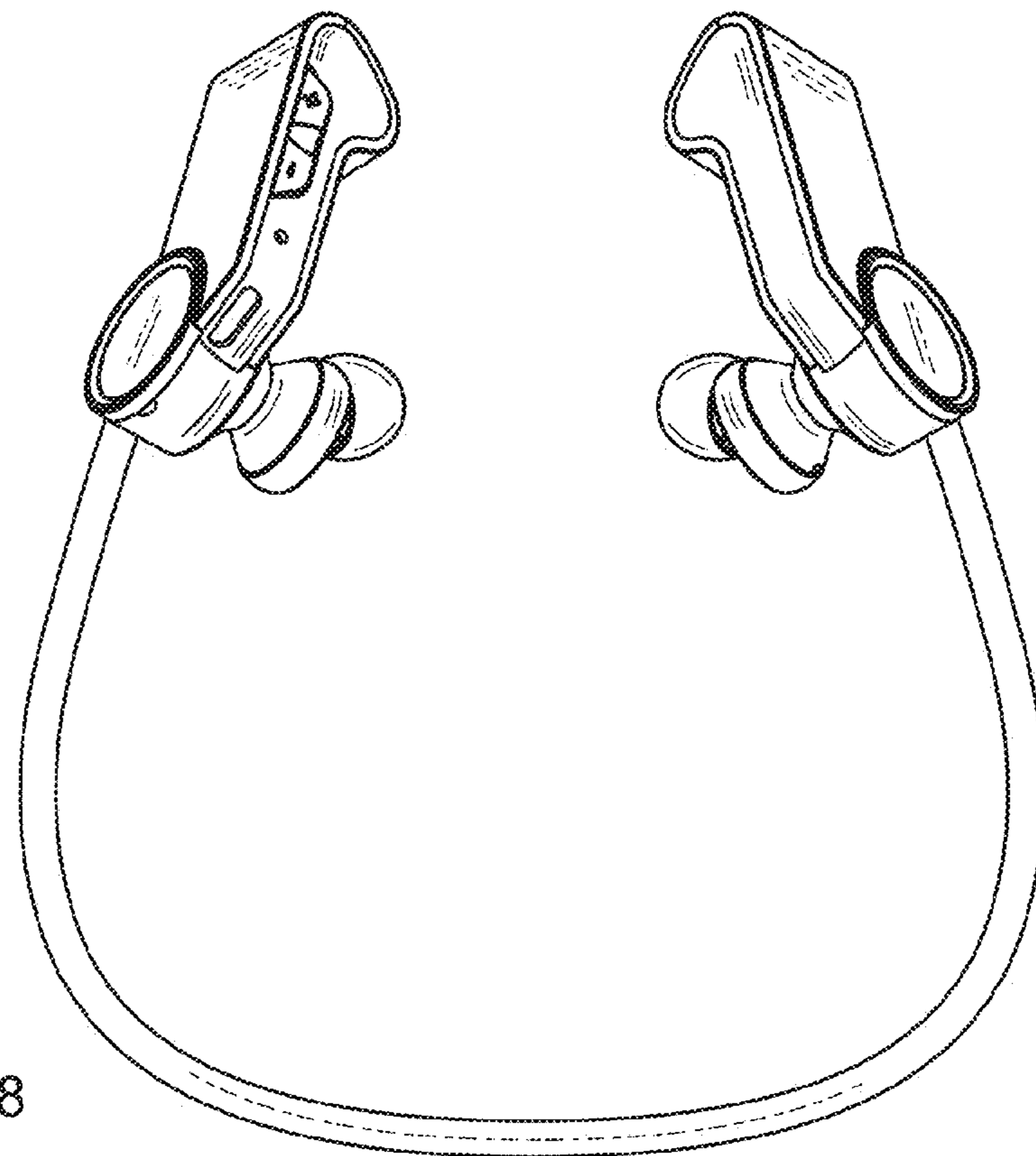


FIG. 8