



US00D691579S

(12) **United States Design Patent**
Lee et al.

(10) **Patent No.:** **US D691,579 S**
(45) **Date of Patent:** **** *Oct. 15, 2013**

(54) **HEADPHONES**

(75) Inventors: **Noel Lee**, Las Vegas, NV (US);
Kendrew Lee, Tsing Yi (HK); **Sin Yee Fung**, Hong Kong (CN)

(73) Assignee: **Monster, LLC**, Las Vegas, NV (US)

(*) Notice: This patent is subject to a terminal disclaimer.

(**) Term: **14 Years**

(21) Appl. No.: **29/406,344**

(22) Filed: **Nov. 11, 2011**

(51) **LOC (9) Cl.** **14-01**

(52) **U.S. Cl.**
USPC **D14/205**

(58) **Field of Classification Search**
USPC D14/205, 206, 223; 181/129, 130, 135;
379/430, 431; 381/380, 381, 322, 338,
381/360, 371, 374; 455/90.3, 575.1;
D29/112; 2/209
See application file for complete search history.

(56) **References Cited**

U.S. PATENT DOCUMENTS

D68,060 S *	8/1925	Pacent	D14/249
4,689,822 A *	8/1987	Houng	381/379
D328,074 S *	7/1992	Yamazaki et al.	D14/205
7,072,483 B2 *	7/2006	Lenhard-Backhaus	381/383
D534,155 S *	12/2006	Obata	D14/205
D552,077 S *	10/2007	Brunner et al.	D14/205
D563,382 S *	3/2008	Wikel	D14/205
D593,995 S *	6/2009	Shimizu	D14/205
D594,441 S	6/2009	Lee et al.		
D598,901 S	8/2009	Lee et al.		
D599,781 S	9/2009	Lee et al.		
D600,675 S	9/2009	Lee et al.		
D625,705 S *	10/2010	Ohori et al.	D14/205

D632,668 S *	2/2011	Brunner et al.	D14/205
D637,182 S	5/2011	Lee et al.		
D641,008 S	7/2011	Lee et al.		
D642,163 S	7/2011	Lee et al.		
D643,417 S	8/2011	Lee et al.		
D643,418 S	8/2011	Lee et al.		
D643,833 S	8/2011	Lee et al.		
D652,406 S *	1/2012	Lee et al.	D14/205
D657,344 S *	4/2012	Brunner et al.	D14/205
D660,824 S *	5/2012	Hardi et al.	D14/205
D662,080 S *	6/2012	Carr et al.	D14/205
D669,451 S *	10/2012	Tappeiner et al.	D14/205
D671,914 S *	12/2012	Lee et al.	D14/205
D673,136 S *	12/2012	Kelly et al.	D14/205
D673,518 S *	1/2013	Tan	D14/205
D675,595 S *	2/2013	Cho et al.	D14/205
D677,647 S *	3/2013	Lee et al.	D14/205
D678,860 S *	3/2013	Hagelin	D14/205
D683,329 S *	5/2013	Hagelin	D14/205

* cited by examiner

Primary Examiner — Paula Greene

(74) *Attorney, Agent, or Firm* — LaRiviere, Grubman & Payne, LLP

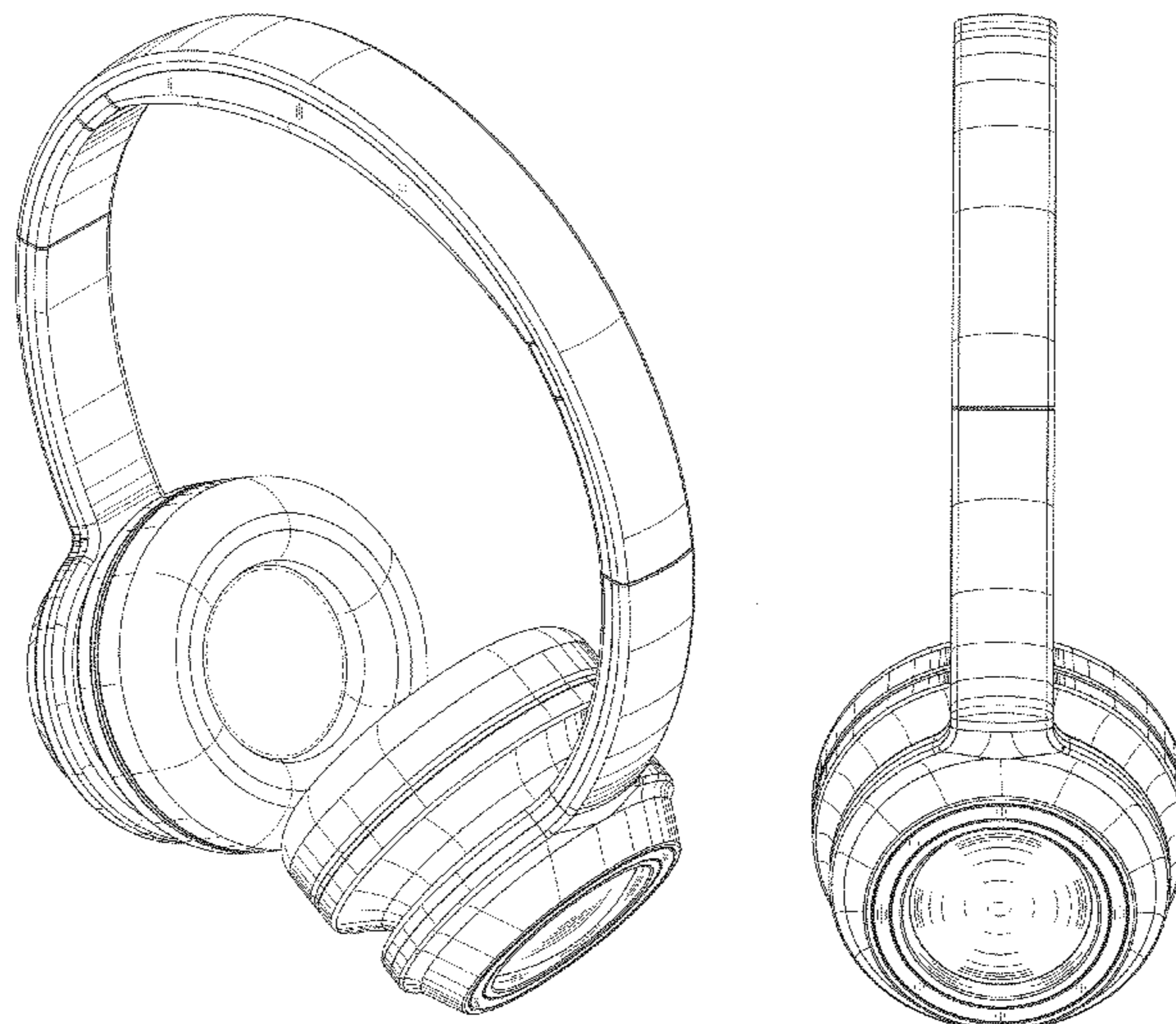
(57) **CLAIM**

The ornamental design for headphones, as shown and described.

DESCRIPTION

FIG. 1 is a perspective view of headphones, showing our design, the opposite perspective view is a mirror image; FIG. 2 is front view thereof; FIG. 3 is a side view thereof; FIG. 4 is an opposing side view thereof; FIG. 5 is rear view thereof; FIG. 6 is a top view thereof; and, FIG. 7 is a bottom view thereof. The broken lines showing the environment are for illustrative purposes only and form no part of the claimed design.

1 Claim, 5 Drawing Sheets



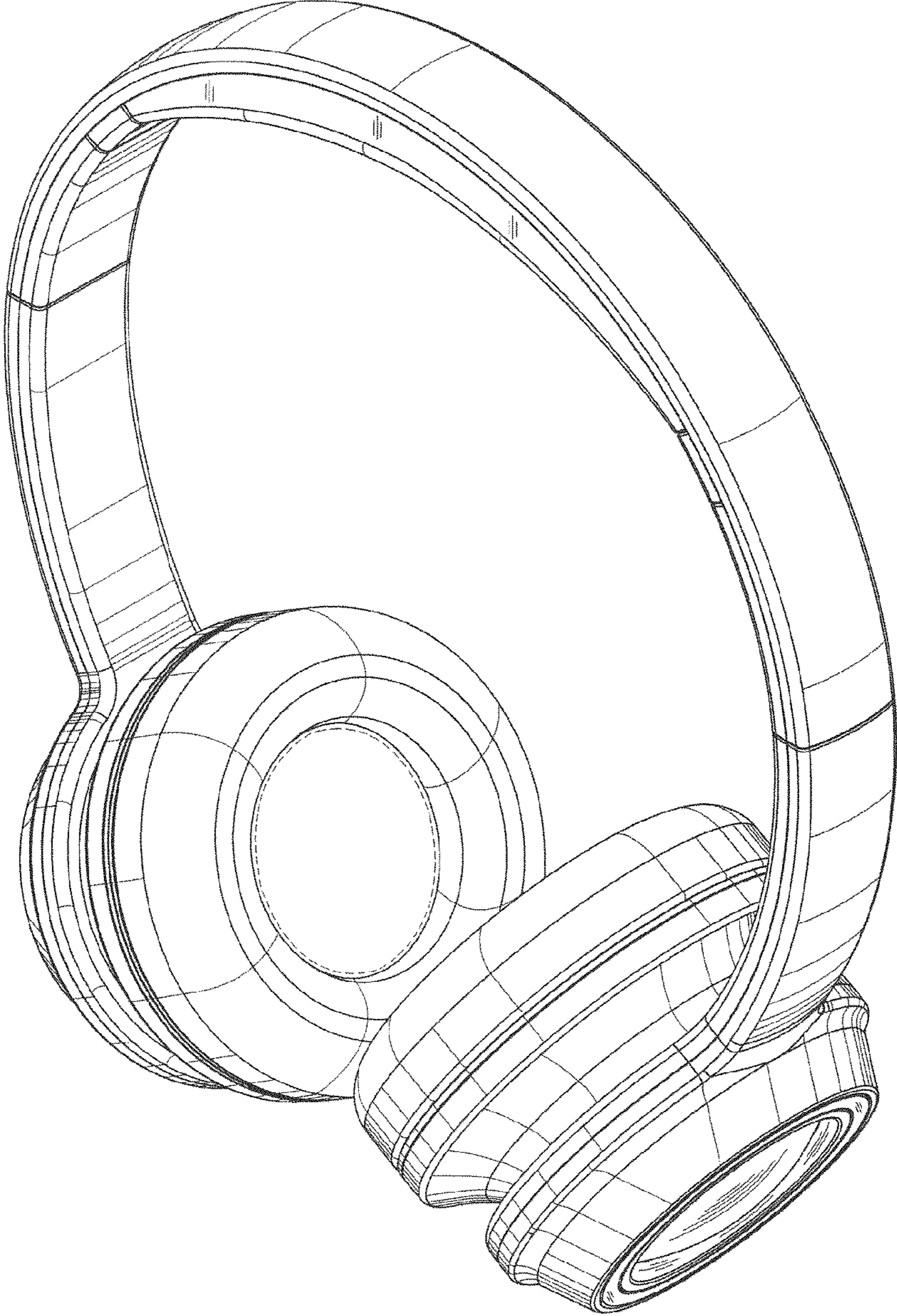


Figure 1

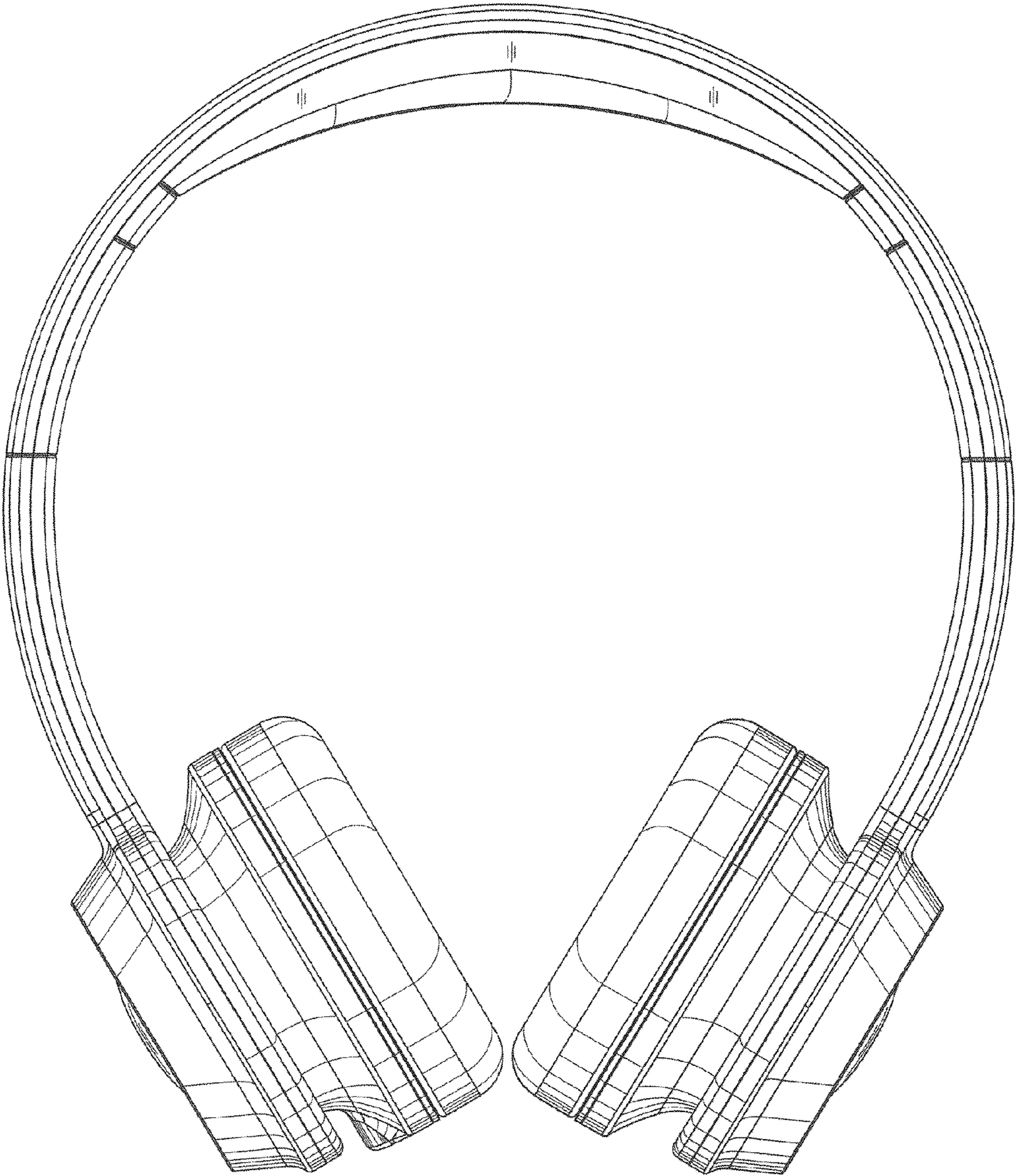


Figure 2

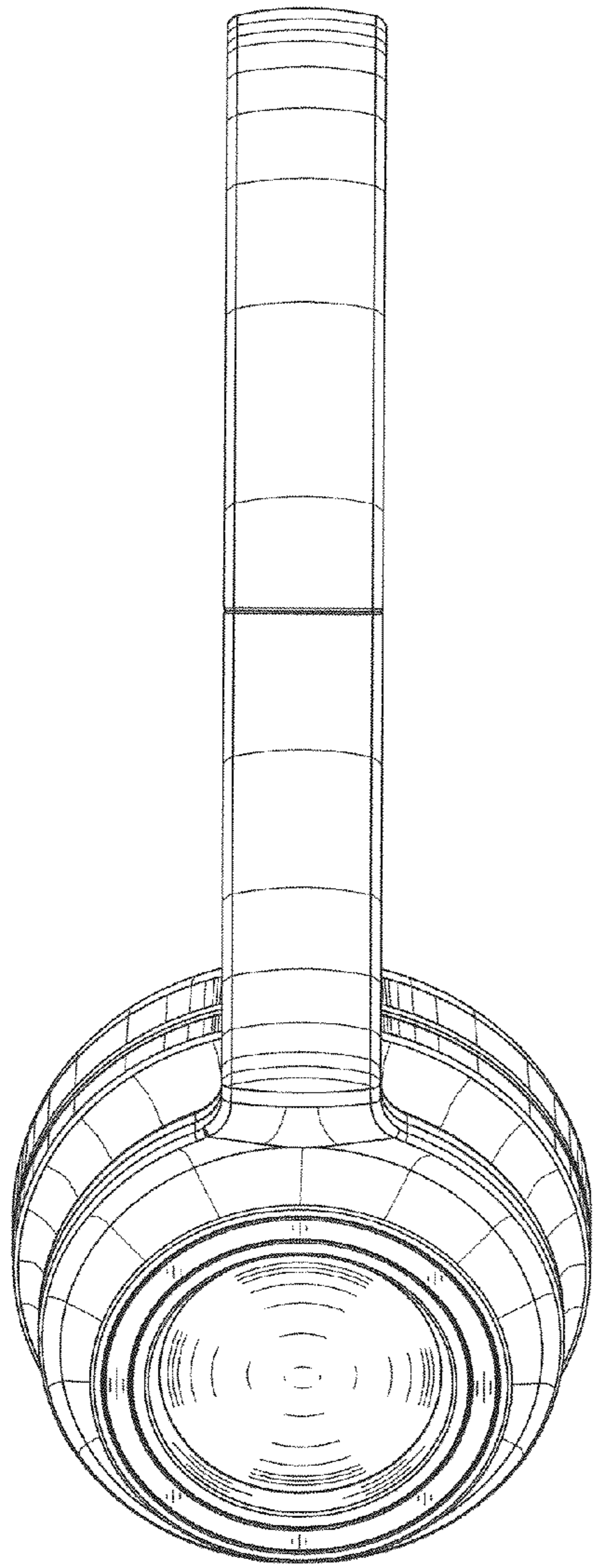


Figure 3

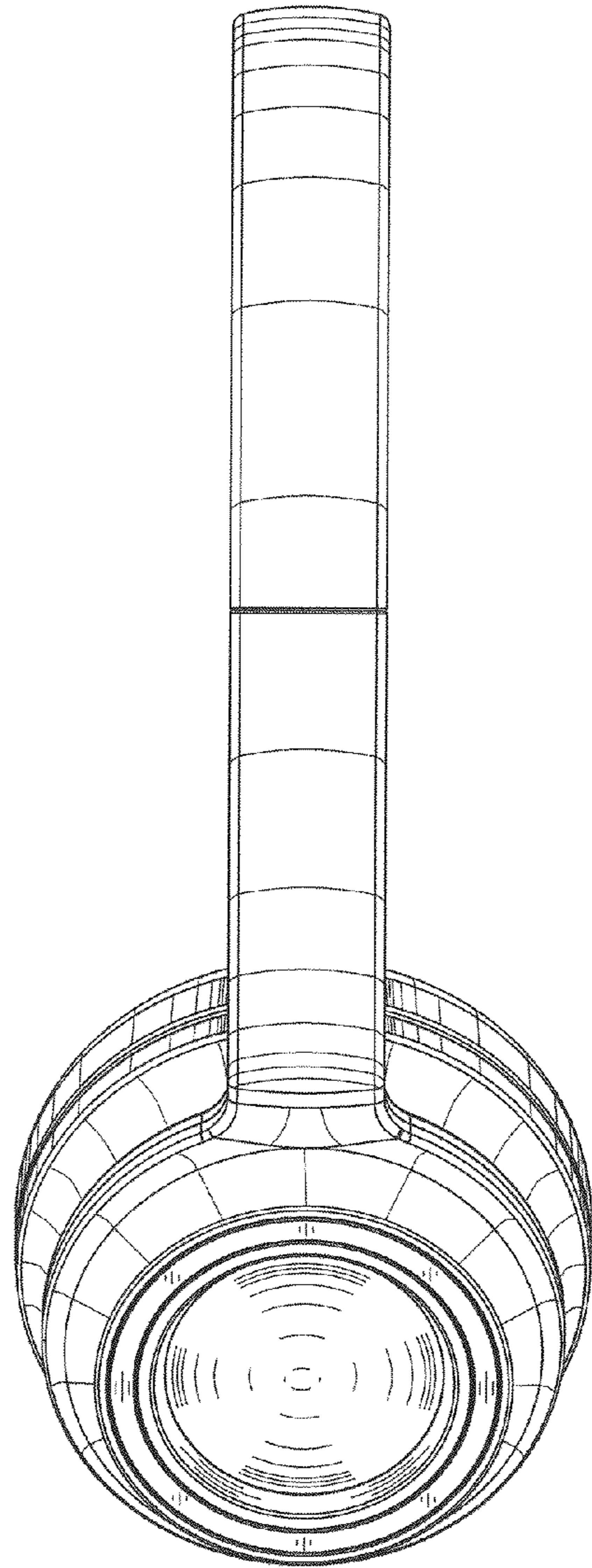


Figure 4

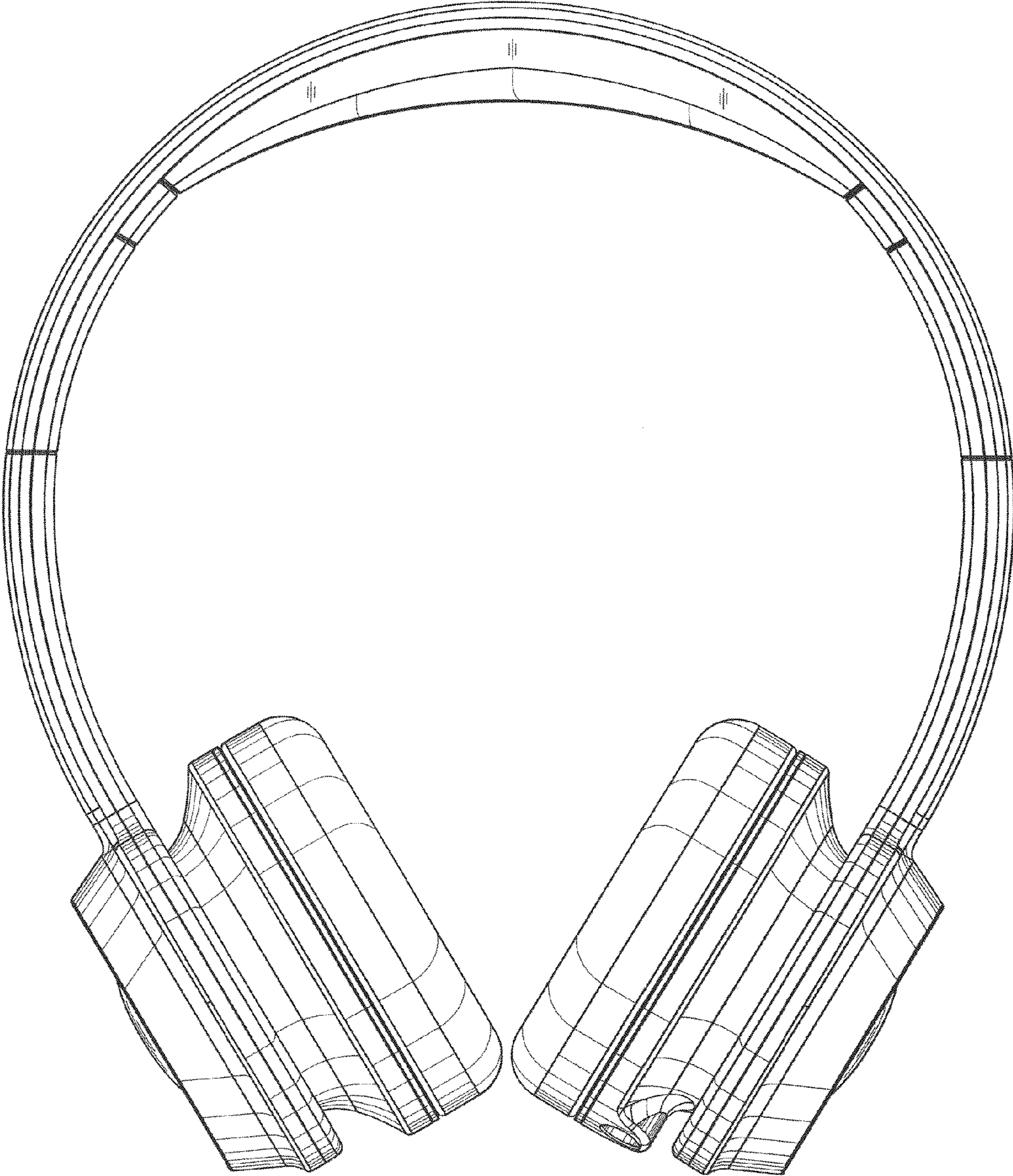


Figure 5

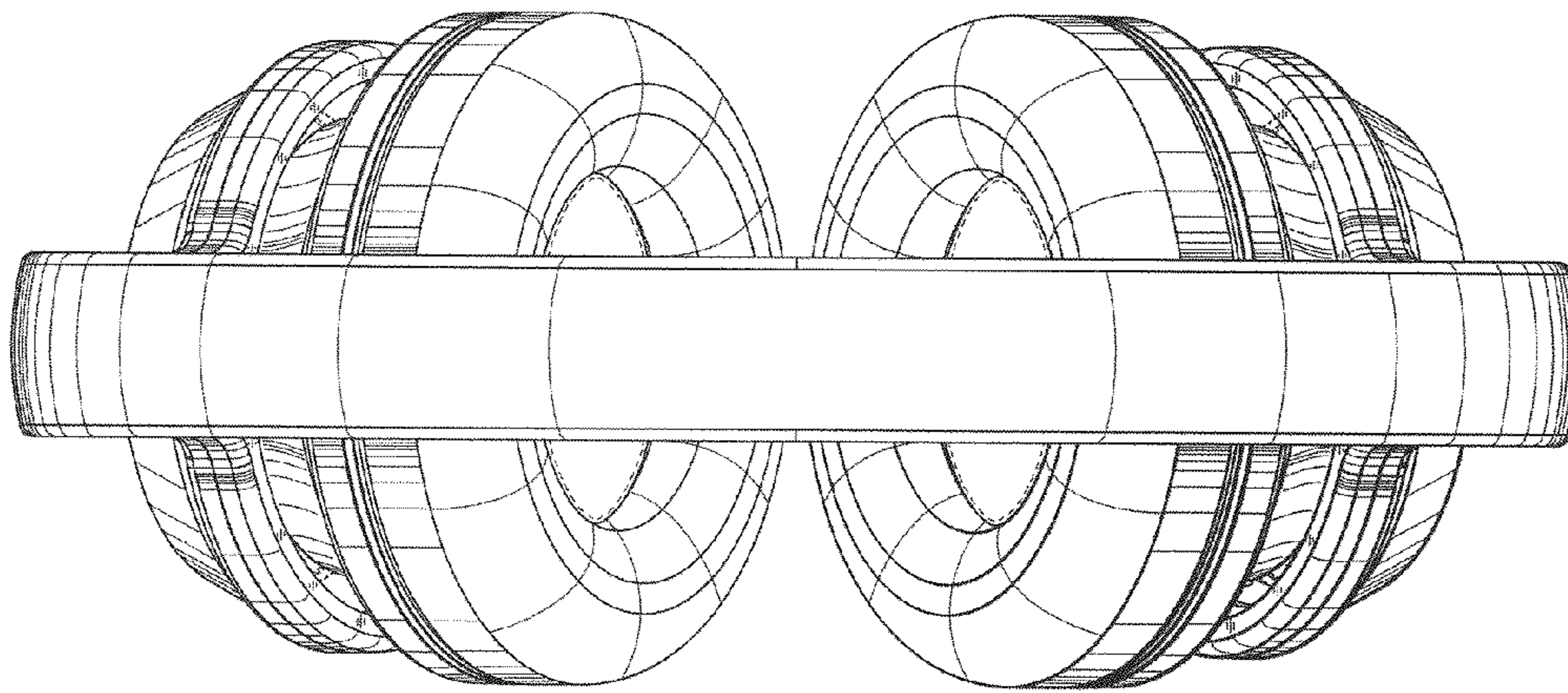


Figure 6

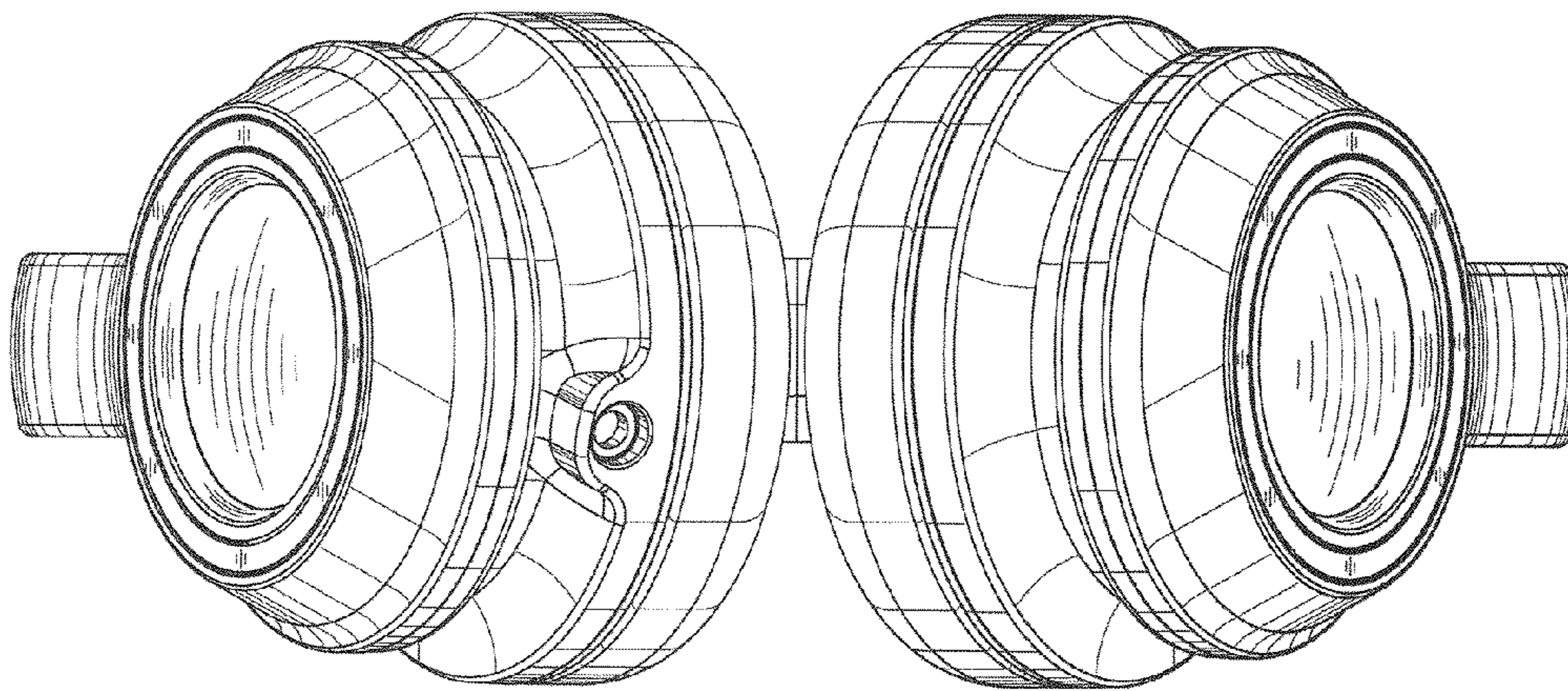


Figure 7