



US00D691573S

(12) **United States Design Patent**  
**Iida et al.**

(10) **Patent No.:** **US D691,573 S**  
(45) **Date of Patent:** **\*\* Oct. 15, 2013**

(54) **TELEVISION SET**

(75) Inventors: **Katsuhiro Iida**, Osaka (JP); **Yasutaka Shimamoto**, Osaka (JP); **Tohru Ohtani**, Osaka (JP); **Hidetoshi Fujimoto**, Osaka (JP); **Yuhsuke Totsuka**, Osaka (JP); **Takeshi Kodera**, Osaka (JP); **Keiichi Takao**, Osaka (JP); **Keiichiroh Aou**, Osaka (JP)

(73) Assignee: **Sharp Kabushiki Kaisha**, Osaka (JP)

(\*\*) Term: **14 Years**

(21) Appl. No.: **29/421,250**

(22) Filed: **Jun. 20, 2012**

(30) **Foreign Application Priority Data**

Dec. 21, 2011 (JP) ..... 2011-029552

(51) **LOC (9) Cl.** ..... **14-03**

(52) **U.S. Cl.**  
USPC ..... **D14/126**

(58) **Field of Classification Search**  
USPC ..... D14/125-134, 239, 371, 136, 374-377, D14/440, 450, 448, 336, 342, 159; 312/7.2; 348/836, 838, 180, 184, 325, 739; 341/12; 248/917-924, 465; 345/104, 345/133, 156, 168, 87, 173; 720/605, 669, 720/600, 655; 369/99, 197; 455/344, 347; D21/329, 515, 577, 622, 333, 433, 448, D21/452, 450, 331; D6/477, 479, 300; 273/148 B; 446/484, 175, 356; D10/15, D10/26

See application file for complete search history.

(56) **References Cited**

**U.S. PATENT DOCUMENTS**

D427,169 S 6/2000 Saeki et al.  
D429,227 S 8/2000 Shimizu

D431,537 S 10/2000 Saeki et al.  
D438,848 S 3/2001 Kita  
D439,224 S 3/2001 Kita  
D439,225 S 3/2001 Kita  
D453,747 S 2/2002 Kita  
D453,748 S 2/2002 Kita  
D456,370 S 4/2002 Kita  
D458,910 S 6/2002 Kita  
D492,269 S 6/2004 Kita  
D496,915 S 10/2004 Kita  
D497,351 S 10/2004 Kita  
D497,599 S 10/2004 Kita  
D499,076 S 11/2004 Kita  
D501,186 S 1/2005 Kita  
D501,654 S 2/2005 Kita  
D502,451 S 3/2005 Kita

(Continued)

**OTHER PUBLICATIONS**

Design U.S. Appl. No. 29/389,892, filed Apr. 18, 2011 (pending).

(Continued)

*Primary Examiner* — Raphael Barkai

(74) *Attorney, Agent, or Firm* — Nixon & Vanderhye, P.C.

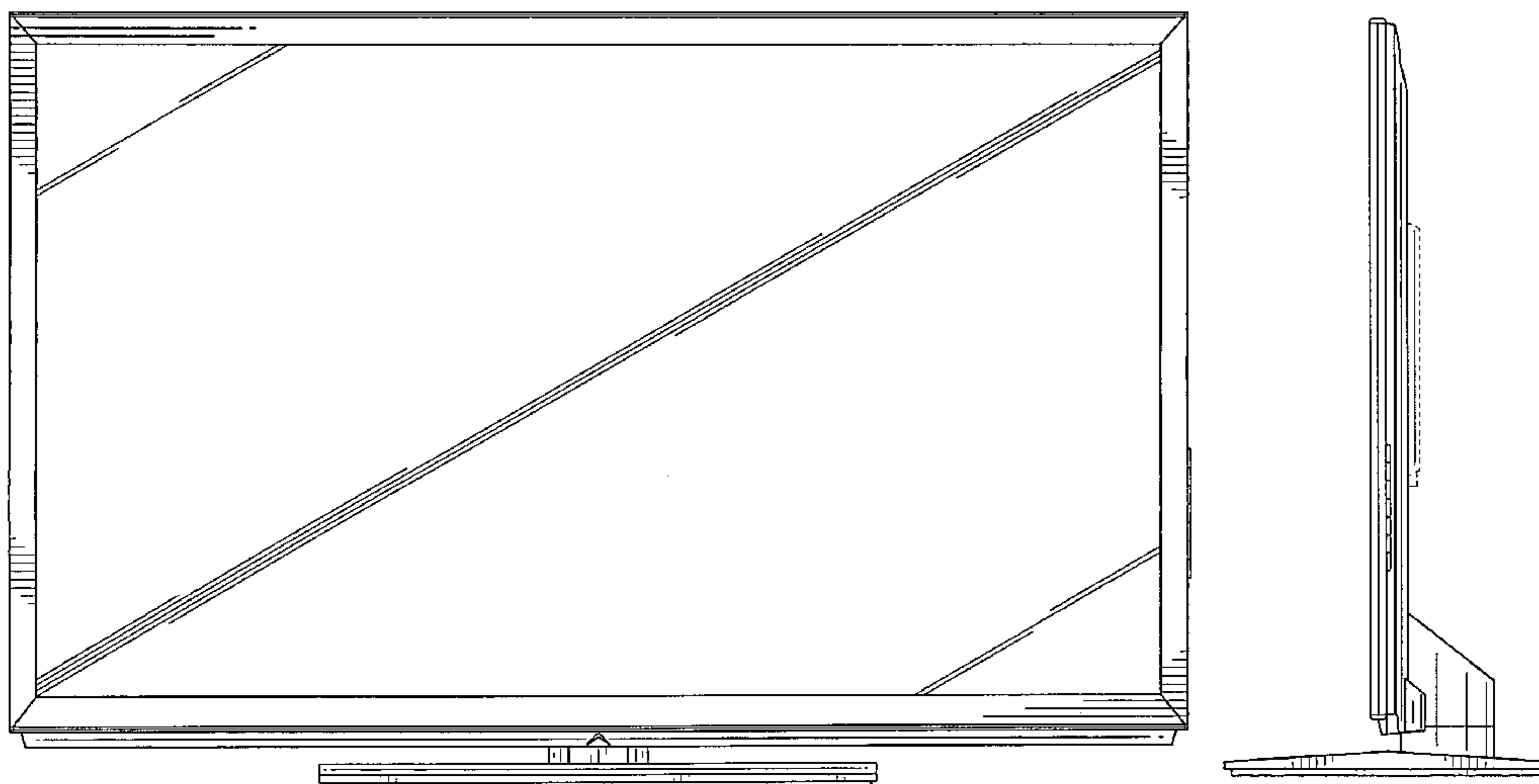
(57) **CLAIM**

The ornamental design for “television set,” as shown and described.

**DESCRIPTION**

FIG. 1 is a front, right, top perspective view of a television set in accordance with our new design; FIG. 2 is a front elevation view thereof; FIG. 3 is a rear elevation view thereof; FIG. 4 is a top plan view thereof; FIG. 5 is a bottom plan view thereof; FIG. 6 is a right-side elevation view thereof; and, FIG. 7 is a left-side elevation view thereof. Subject matter shown in dashed lines in FIGS. 3, 6 and 7 is for illustrative purposes only and forms no part of the claim design.

**1 Claim, 5 Drawing Sheets**



(56)

References Cited

U.S. PATENT DOCUMENTS

D502,931 S 3/2005 Kita  
 D505,123 S 5/2005 Kita  
 D510,731 S 10/2005 Kita  
 D512,385 S 12/2005 Kita  
 D512,386 S 12/2005 Kita  
 D512,387 S 12/2005 Kita  
 D538,242 S 3/2007 Kita  
 D538,762 S 3/2007 Fujii et al.  
 D538,763 S 3/2007 Fujii et al.  
 D539,766 S 4/2007 Kita  
 D540,281 S 4/2007 Kita  
 D540,282 S 4/2007 Kita  
 D540,284 S 4/2007 Kita  
 D540,285 S 4/2007 Kita  
 D541,237 S 4/2007 Kita  
 D541,240 S 4/2007 Kita  
 D541,766 S 5/2007 Kita  
 D541,772 S 5/2007 Kita  
 D541,774 S 5/2007 Kita  
 D541,775 S 5/2007 Kita  
 D543,519 S 5/2007 Kita  
 D544,850 S 6/2007 Kita  
 D545,282 S 6/2007 Kita  
 D545,775 S 7/2007 Kita  
 D545,779 S 7/2007 Kita  
 D545,780 S 7/2007 Kita  
 D546,301 S 7/2007 Kita  
 D546,302 S 7/2007 Kita  
 D546,303 S 7/2007 Fujii et al.  
 D552,050 S 10/2007 Fujii et al.  
 D552,569 S 10/2007 Kita  
 D552,571 S 10/2007 Fujii et al.  
 D554,085 S 10/2007 Kita  
 D562,275 S 2/2008 Inuma et al.  
 D564,989 S 3/2008 Kita  
 D567,197 S 4/2008 Kita  
 D568,264 S 5/2008 Fujii et al.  
 D568,265 S 5/2008 Fujii et al.

D568,266 S 5/2008 Shimamoto  
 D568,844 S 5/2008 Fujii et al.  
 D570,311 S 6/2008 Kita  
 D570,312 S 6/2008 Kita  
 D571,320 S 6/2008 Kita  
 D575,248 S 8/2008 Fujii et al.  
 D584,255 S 1/2009 Kita  
 D584,256 S 1/2009 Kita  
 D584,257 S 1/2009 Kita  
 D584,702 S 1/2009 Inuma et al.  
 D584,705 S 1/2009 Shimamoto  
 D584,706 S \* 1/2009 Yoshimura et al. .... D14/126  
 D585,396 S 1/2009 Kita  
 D586,769 S 2/2009 Kita  
 D605,149 S \* 12/2009 Kim et al. .... D14/126  
 D605,614 S \* 12/2009 Lee et al. .... D14/126  
 D615,511 S \* 5/2010 Shin et al. .... D14/126  
 D628,174 S \* 11/2010 Nagase .... D14/126  
 D628,176 S \* 11/2010 Chien .... D14/126  
 D637,168 S 5/2011 Kodera et al.  
 D638,388 S 5/2011 Fujii et al.  
 D652,396 S \* 1/2012 Shimizu et al. .... D14/126  
 D656,472 S \* 3/2012 Iida et al. .... D14/126  
 D657,326 S \* 4/2012 Kim et al. .... D14/126  
 D657,327 S 4/2012 Iida et al.  
 D658,140 S \* 4/2012 Hwangbo et al. .... D14/126  
 D669,443 S \* 10/2012 Kim et al. .... D14/126  
 D669,872 S \* 10/2012 Yagi .... D14/126

OTHER PUBLICATIONS

Design U.S. Appl. No. 29/389,893, filed Apr. 18, 2011 (pending).  
 Design U.S. Appl. No. 29/390,037, filed Apr. 19, 2011 (pending).  
 Design U.S. Appl. No. 29/410,027, filed Jan. 3, 2012 (pending).  
 Design U.S. Appl. No. 29/392,661, filed May 25, 2011 (pending).  
 Design U.S. Appl. No. 29/392,662, filed May 25, 2011 (pending).  
 Design U.S. Appl. No. 29/392,663, filed May 25, 2011 (pending).  
 Design U.S. Appl. No. 29/371,985, filed Mar. 28, 2012 (pending).  
 Design U.S. Appl. No. 29/421,700, filed Sep. 5, 2012 (pending).  
 Design U.S. Appl. No. 29/443,247, filed Jan. 15, 2013 (pending).

\* cited by examiner

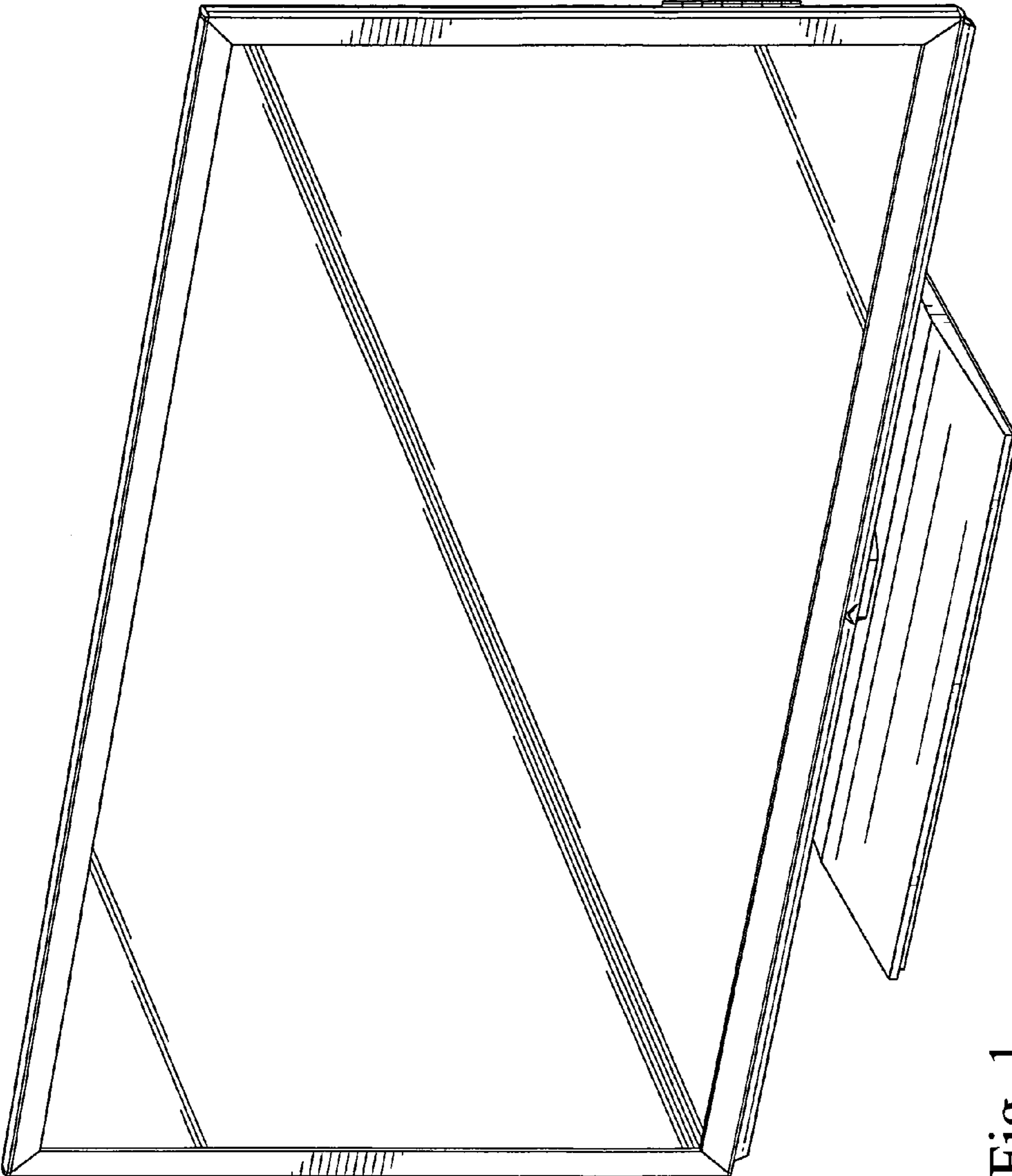


Fig. 1

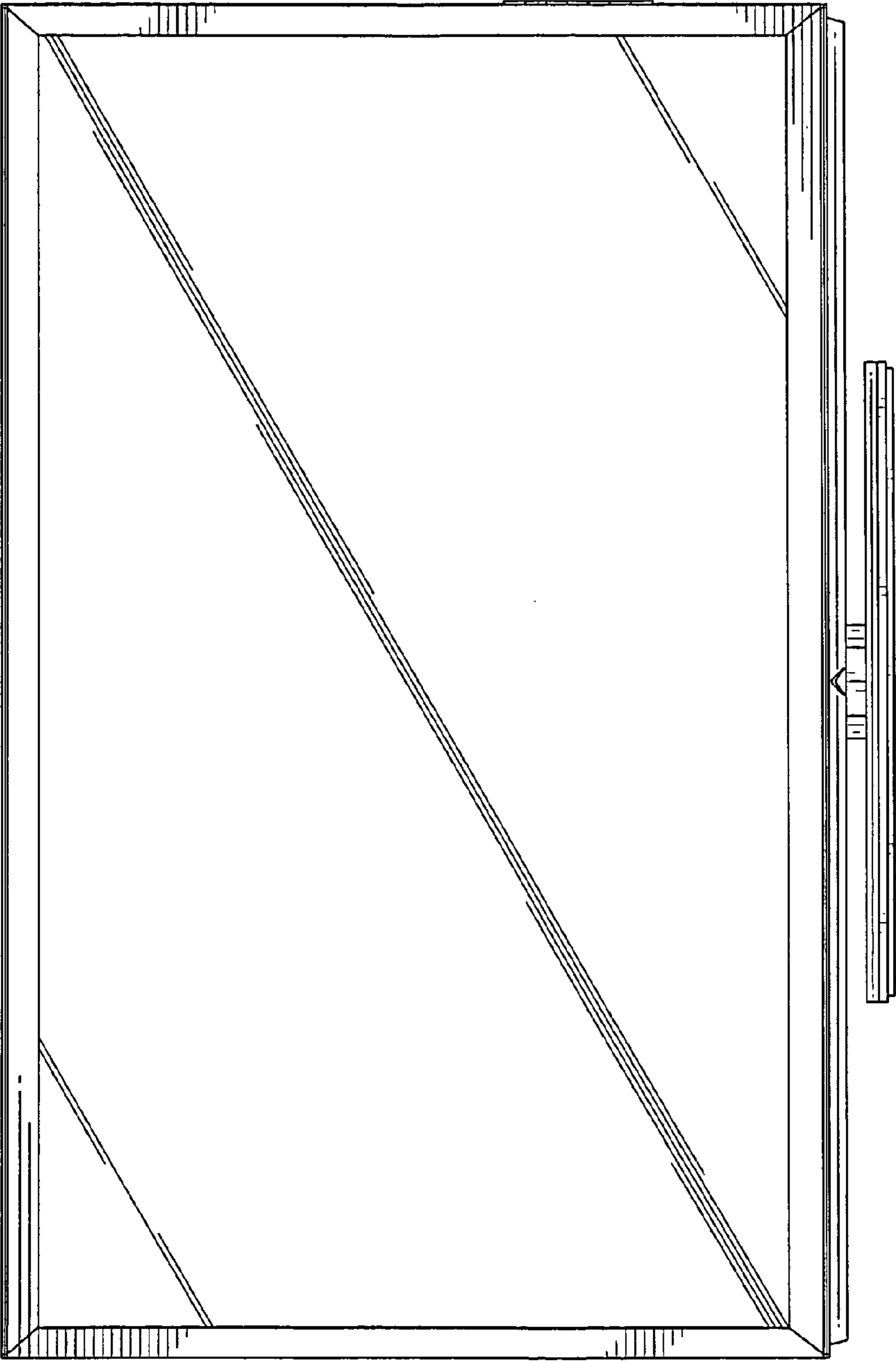


Fig. 2

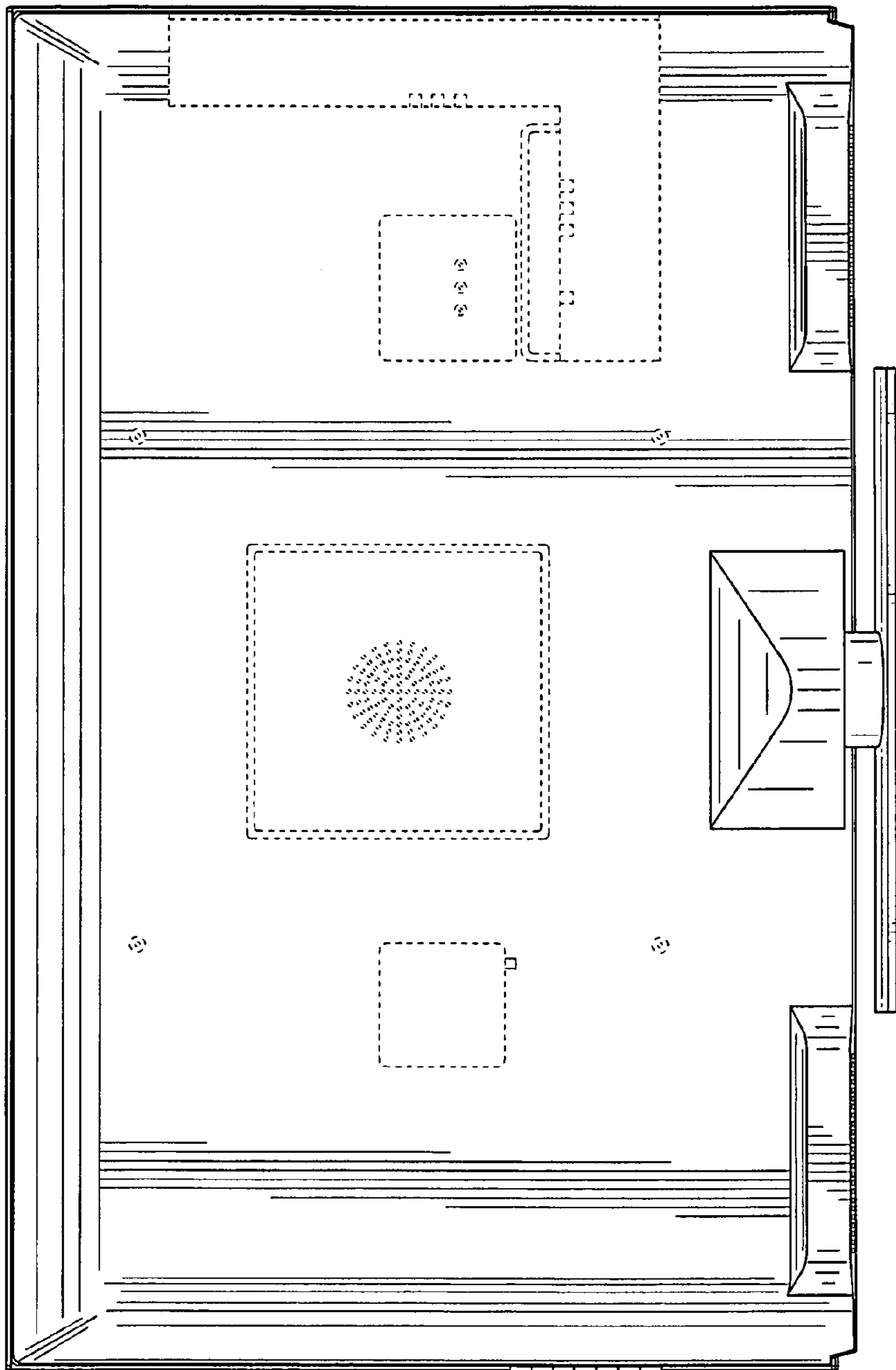


Fig. 3

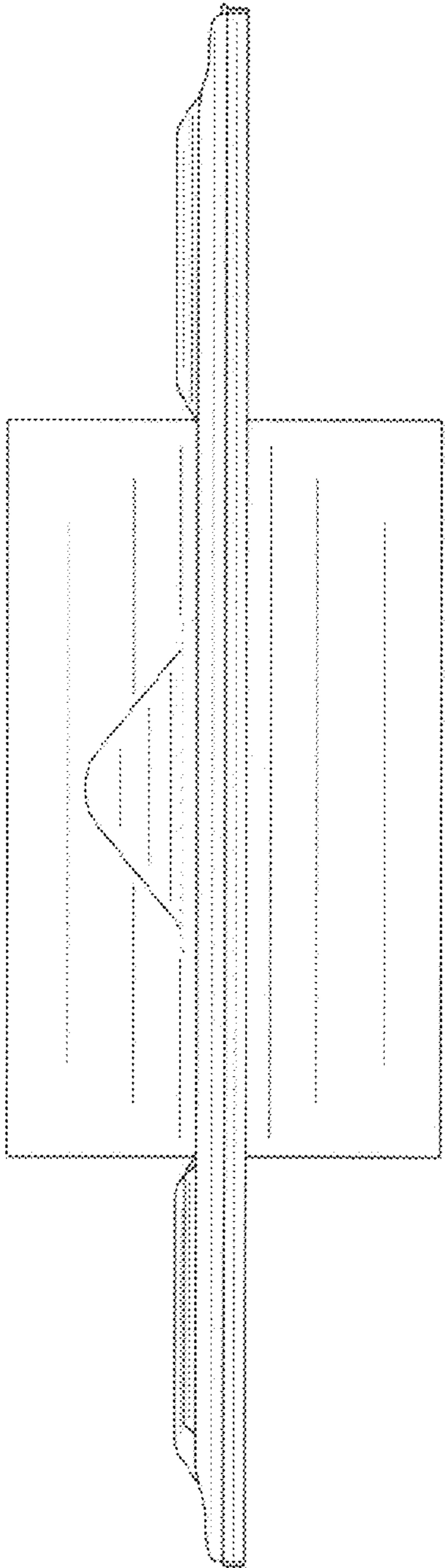


Fig. 4

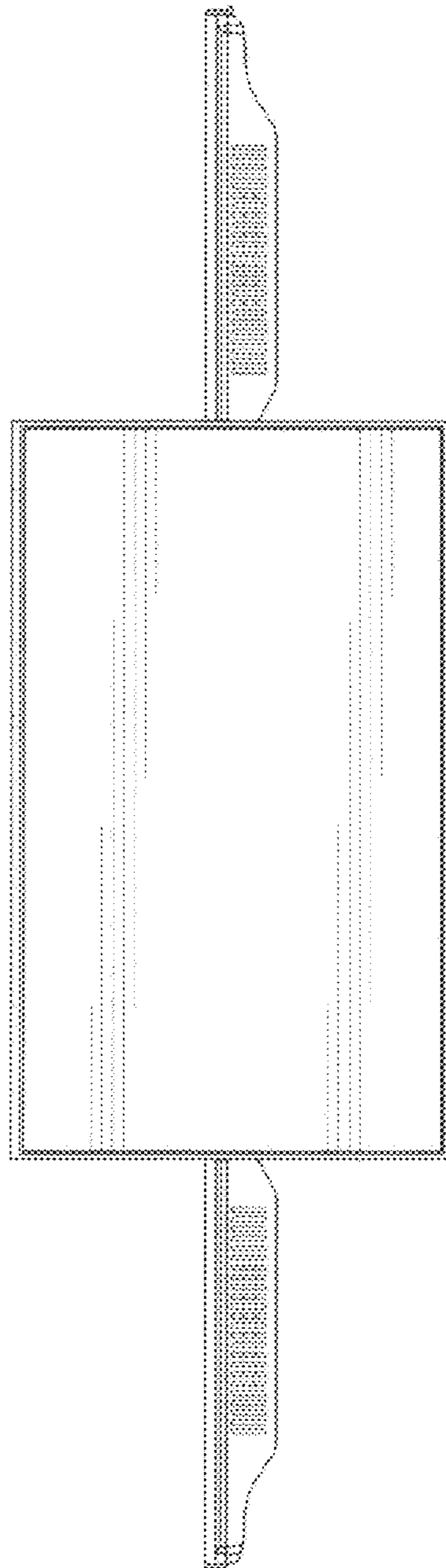


Fig. 5

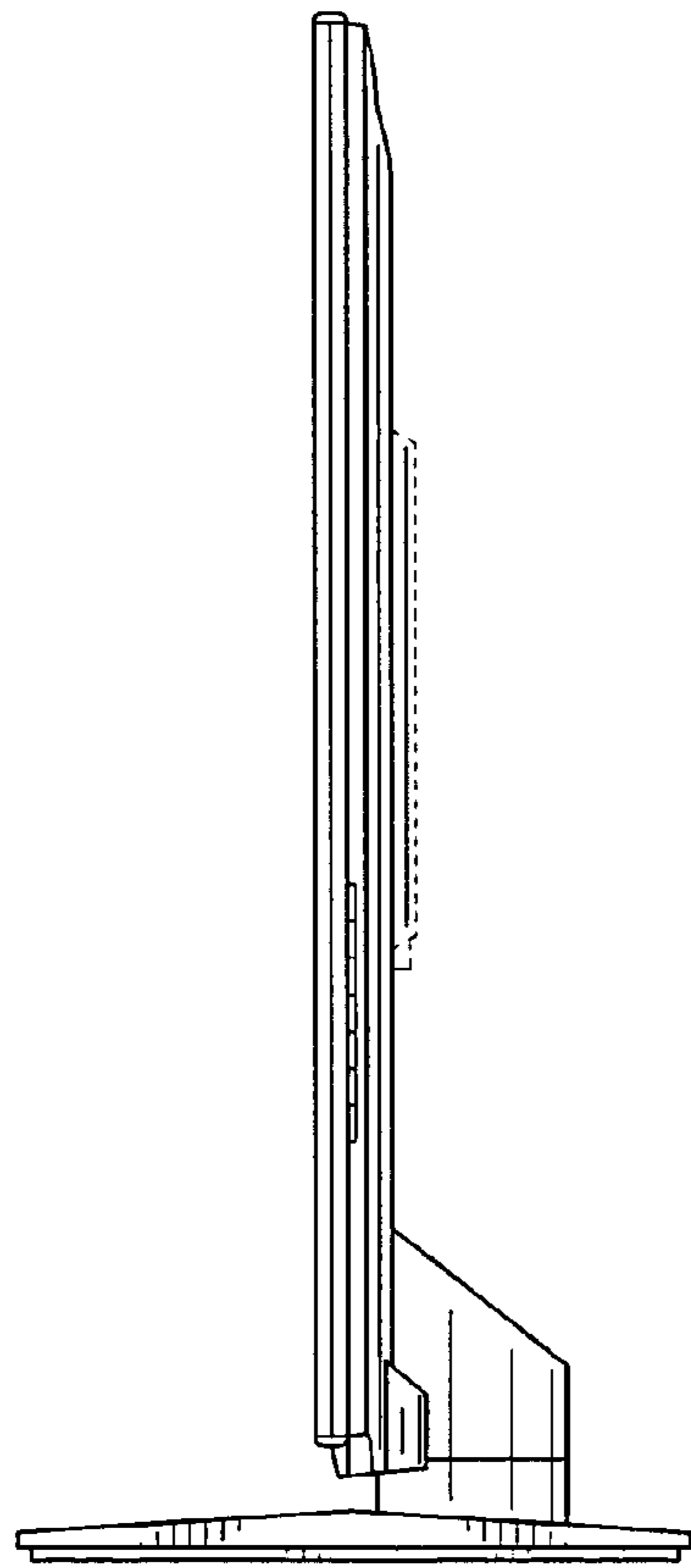


Fig. 6

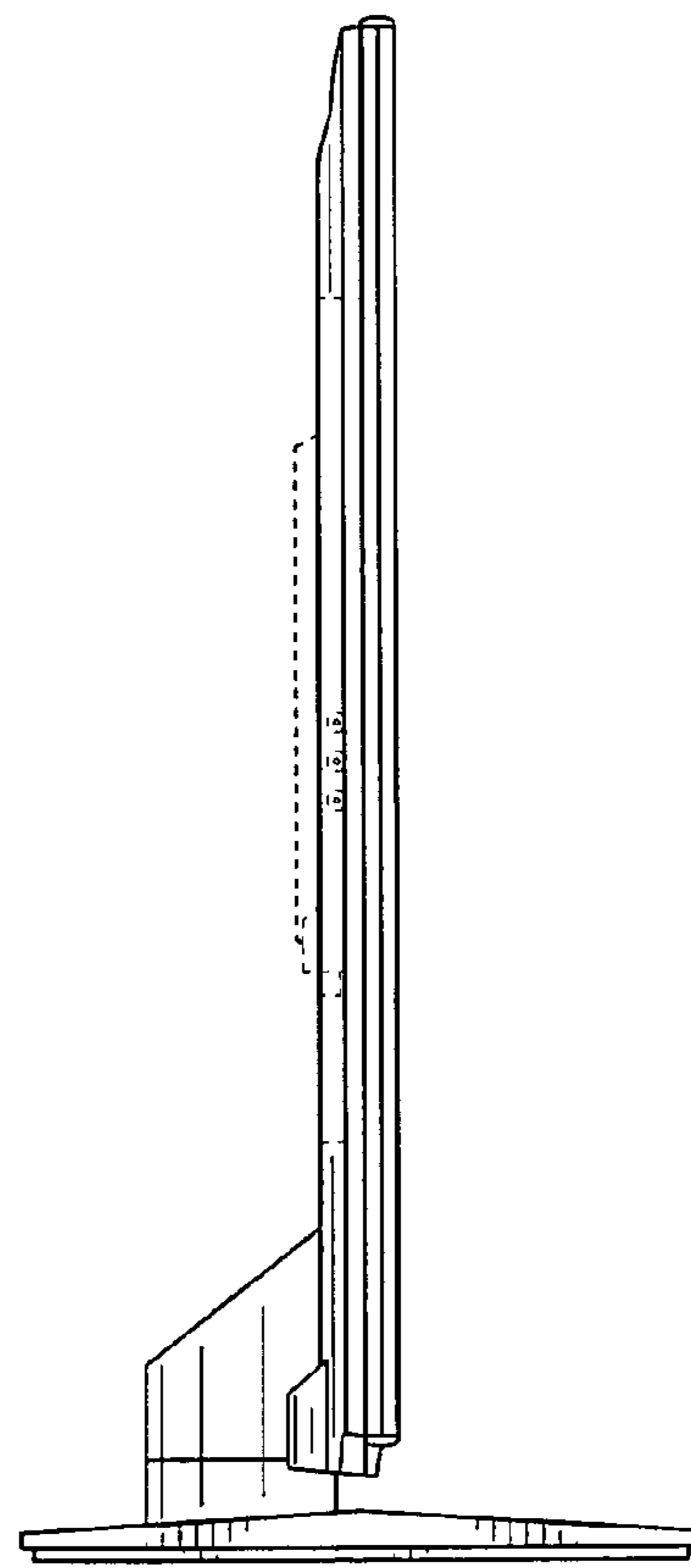


Fig. 7