



US00D691571S

(12) **United States Design Patent**  
**Park et al.**

(10) **Patent No.:** **US D691,571 S**  
(45) **Date of Patent:** **\*\* Oct. 15, 2013**

(54) **LCD MONITOR**

(75) Inventors: **Soo Young Park**, Seoul (KR); **Kyung Min Kim**, Seoul (KR)

(73) Assignee: **LG Electronics Inc.**, Seoul (KR)

(\*\*) Term: **14 Years**

(21) Appl. No.: **29/396,697**

(22) Filed: **Jul. 6, 2011**

(30) **Foreign Application Priority Data**

Jan. 21, 2011 (KR) ..... 30-2011-0002752

(51) **LOC (9) Cl.** ..... **14-03**

(52) **U.S. Cl.**  
USPC ..... **D14/126**

(58) **Field of Classification Search**  
USPC ..... D14/125-134, 239, 371, 374-377;  
312/7.2; 341/12; 248/917-924; 345/104,  
345/133, 156, 168, 87, 173; 720/605, 669,  
720/600, 655; 369/99, 197; 455/344, 347;  
D21/329, 515, 577, 622, 333, 433, 448, 452,  
D21/450, 331; D6/477, 479, 300; 273/148 B;  
446/484, 175, 356; D10/15, 26

See application file for complete search history.

(56) **References Cited**

U.S. PATENT DOCUMENTS

D412,891 S *	8/1999	Sumii	.....	D14/374
D620,461 S *	7/2010	Han et al.	.....	D14/126
D634,722 S *	3/2011	Kim et al.	.....	D14/126
D634,723 S *	3/2011	Park et al.	.....	D14/126
D668,237 S *	10/2012	Chino et al.	.....	D14/126

\* cited by examiner

*Primary Examiner* — Raphael Barkai

(74) *Attorney, Agent, or Firm* — Morgan, Lewis & Bockius LLP

(57) **CLAIM**

We claim the ornamental design for a LCD monitor, as shown and described.

**DESCRIPTION**

FIG. 1 is a perspective view of a LCD monitor showing our new design;  
FIG. 2 is a front elevation view thereof;  
FIG. 3 is a rear elevation view thereof;  
FIG. 4 is a left-side elevation view thereof;  
FIG. 5 is a right-side elevation view thereof;  
FIG. 6 is a top plan view thereof; and,  
FIG. 7 is a bottom plan view thereof.

**1 Claim, 4 Drawing Sheets**

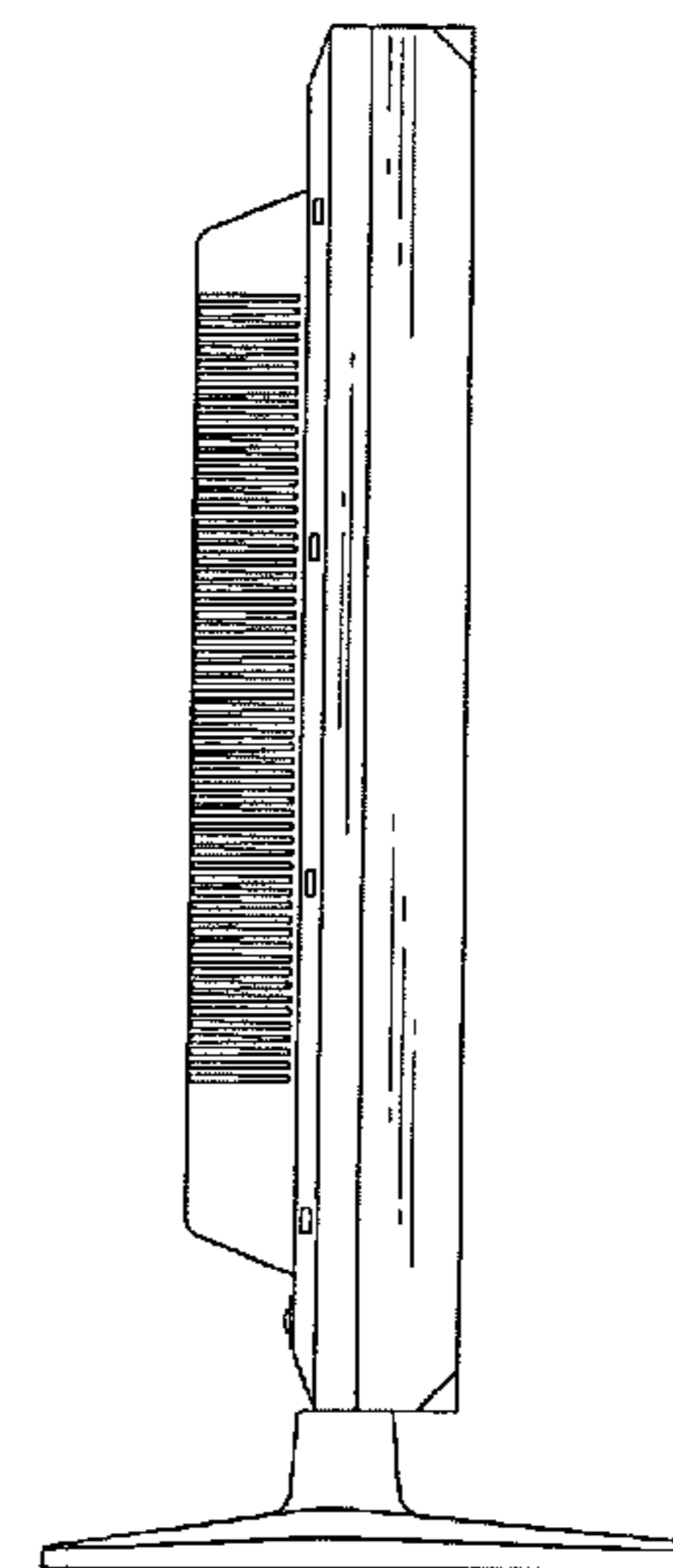
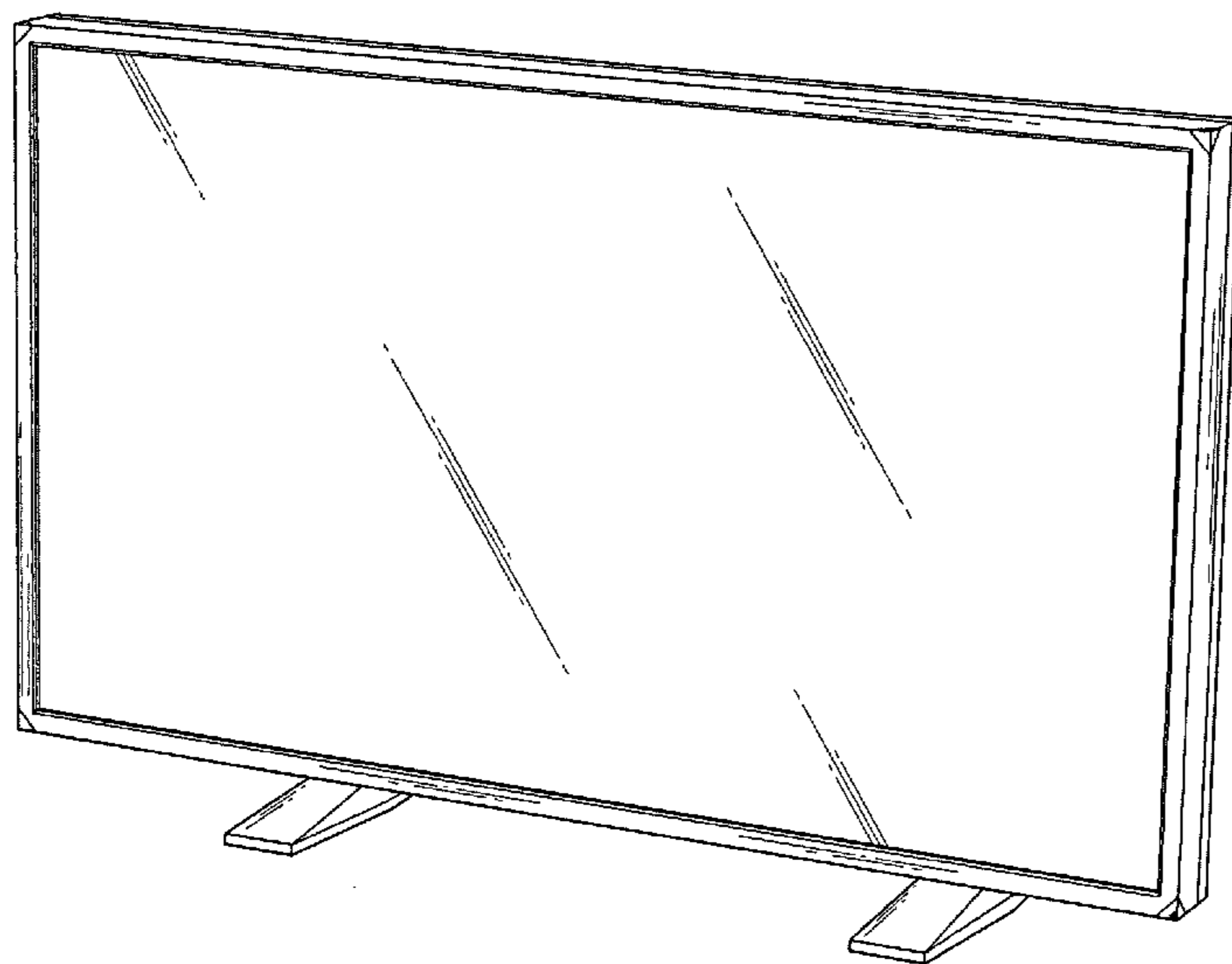


FIG. 1

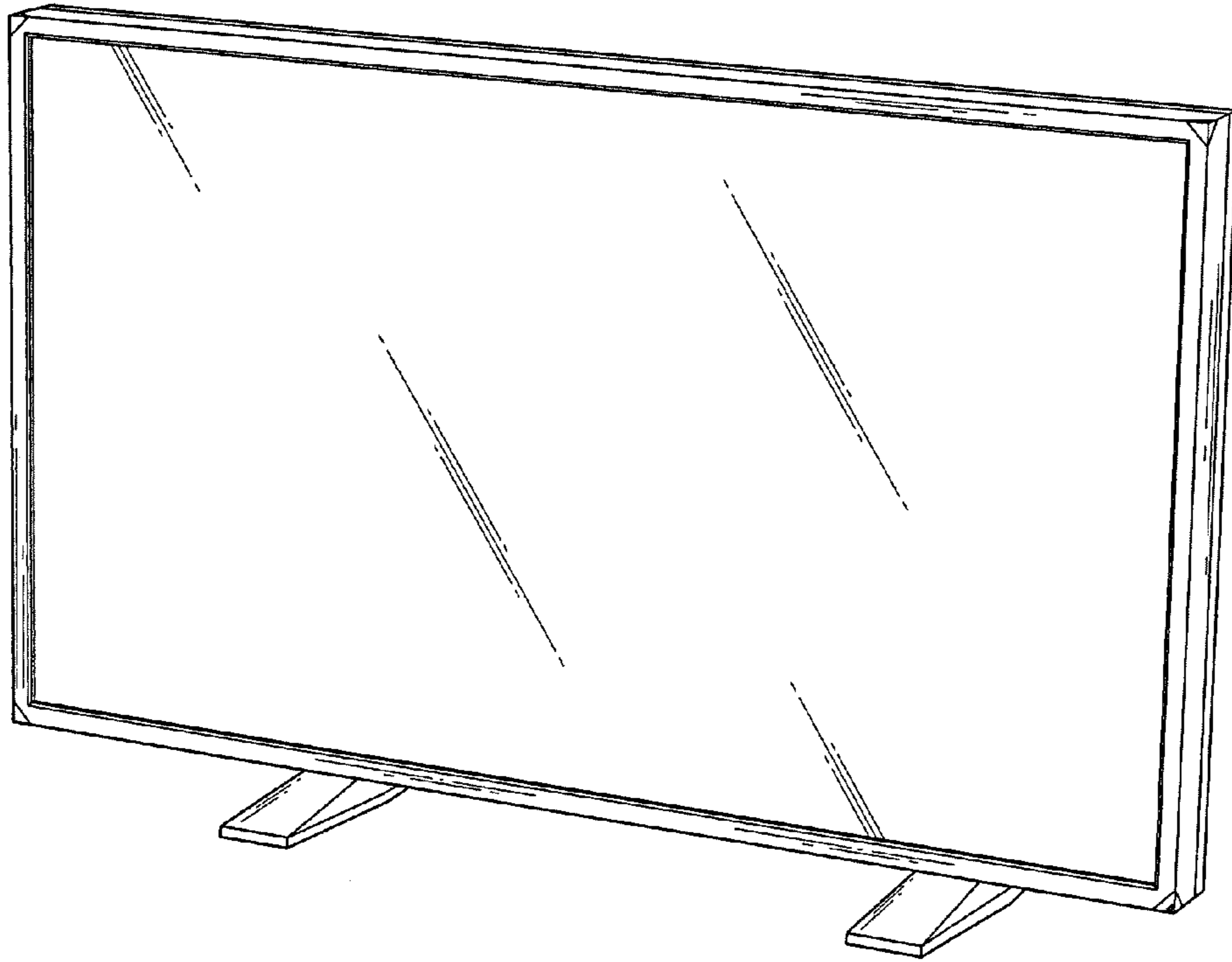


FIG. 2

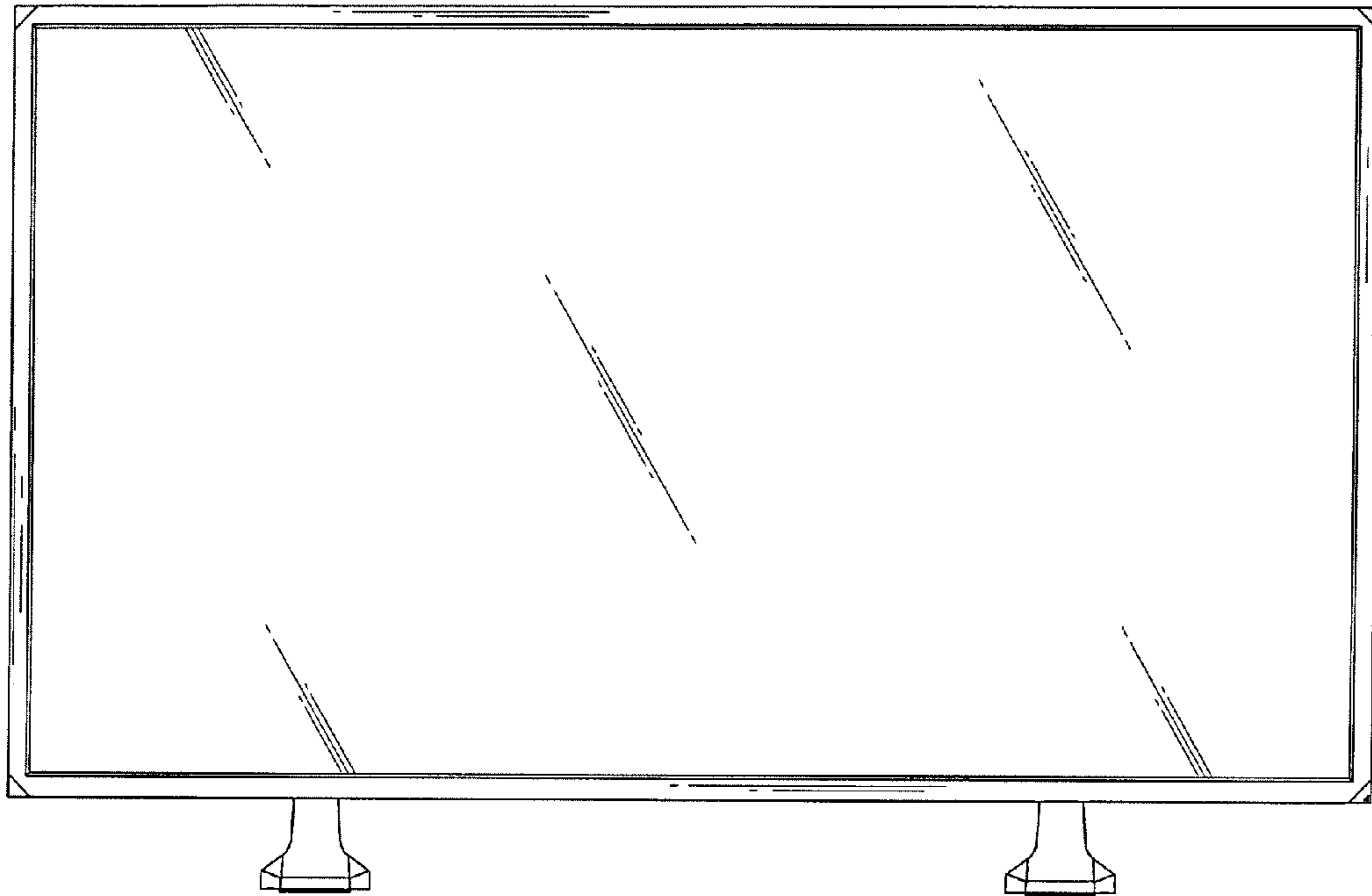


FIG. 3

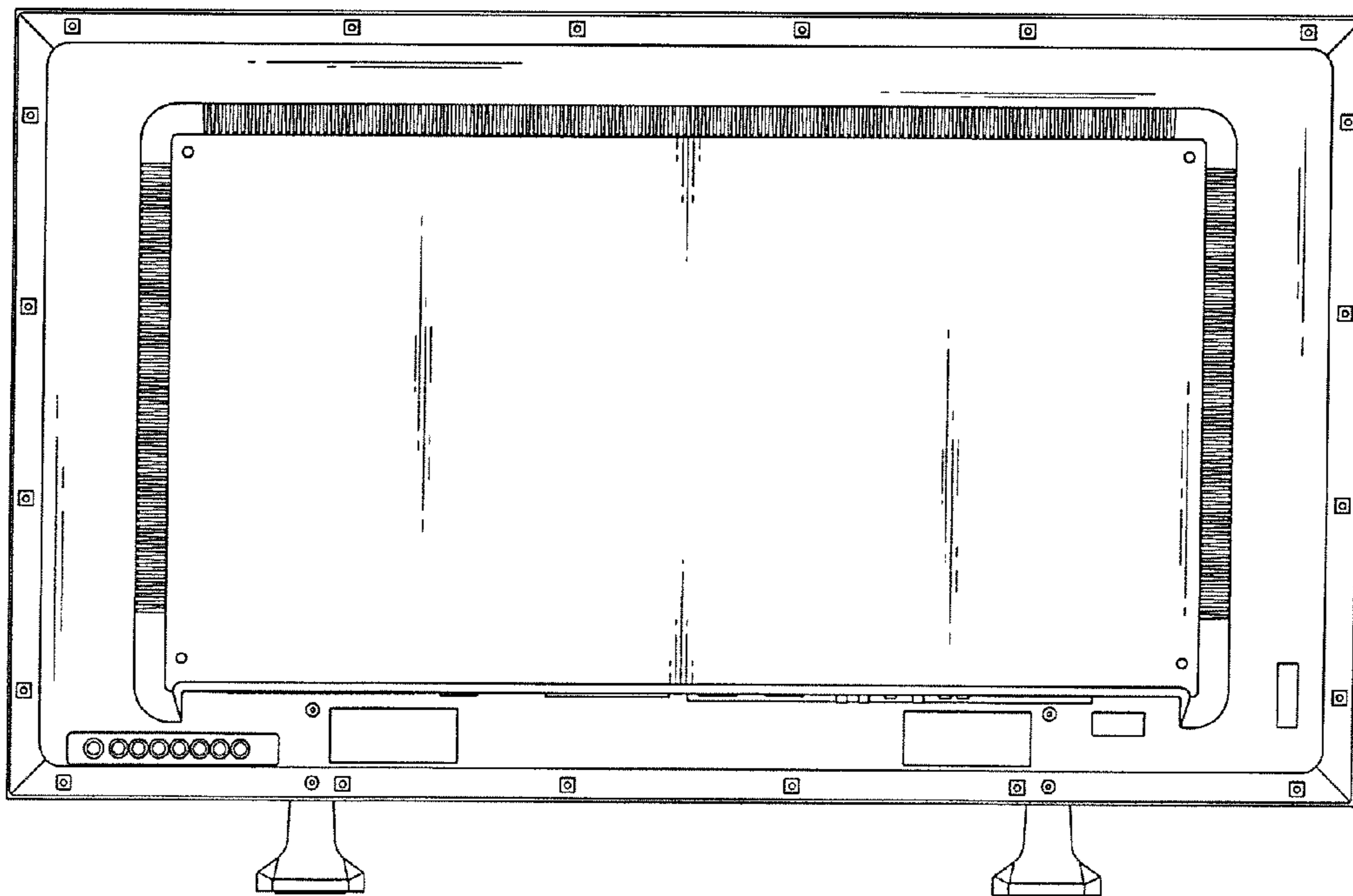


FIG. 4

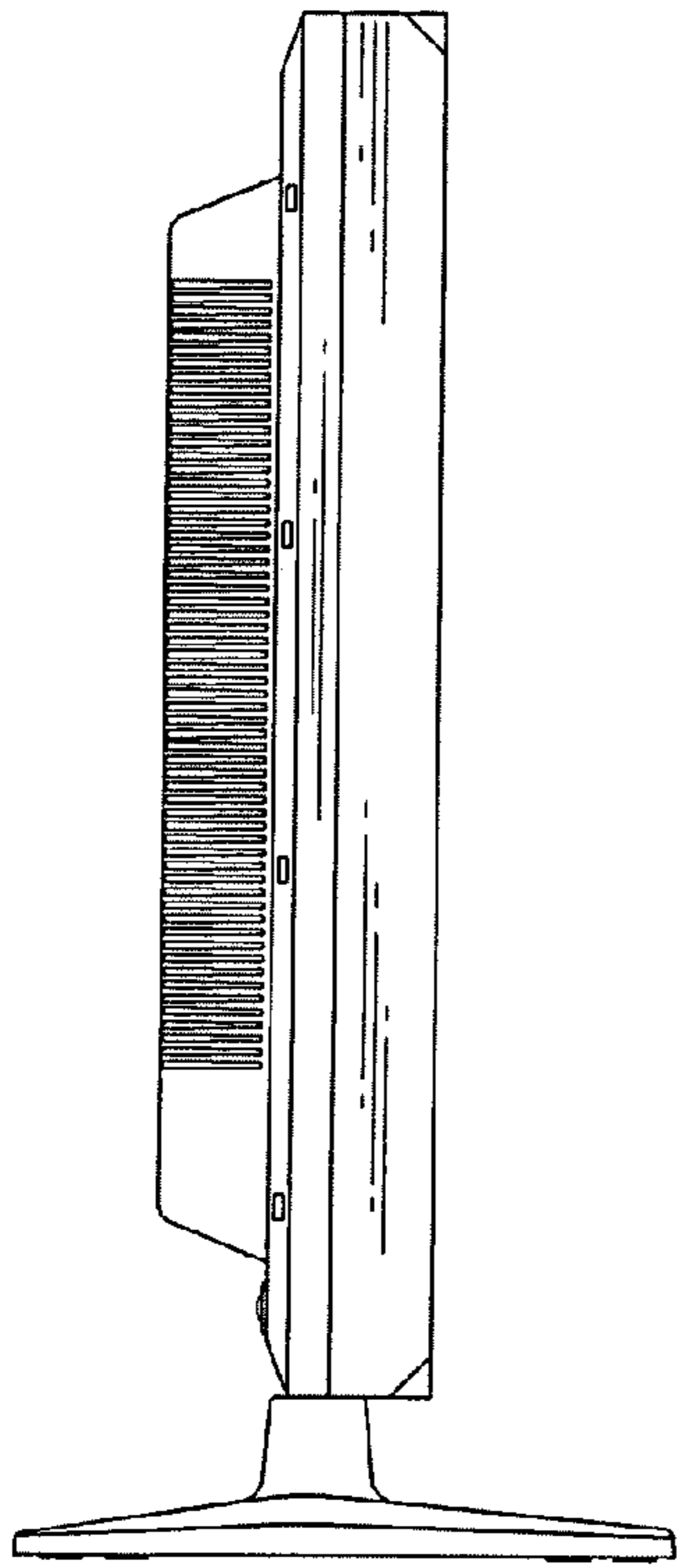


FIG. 5

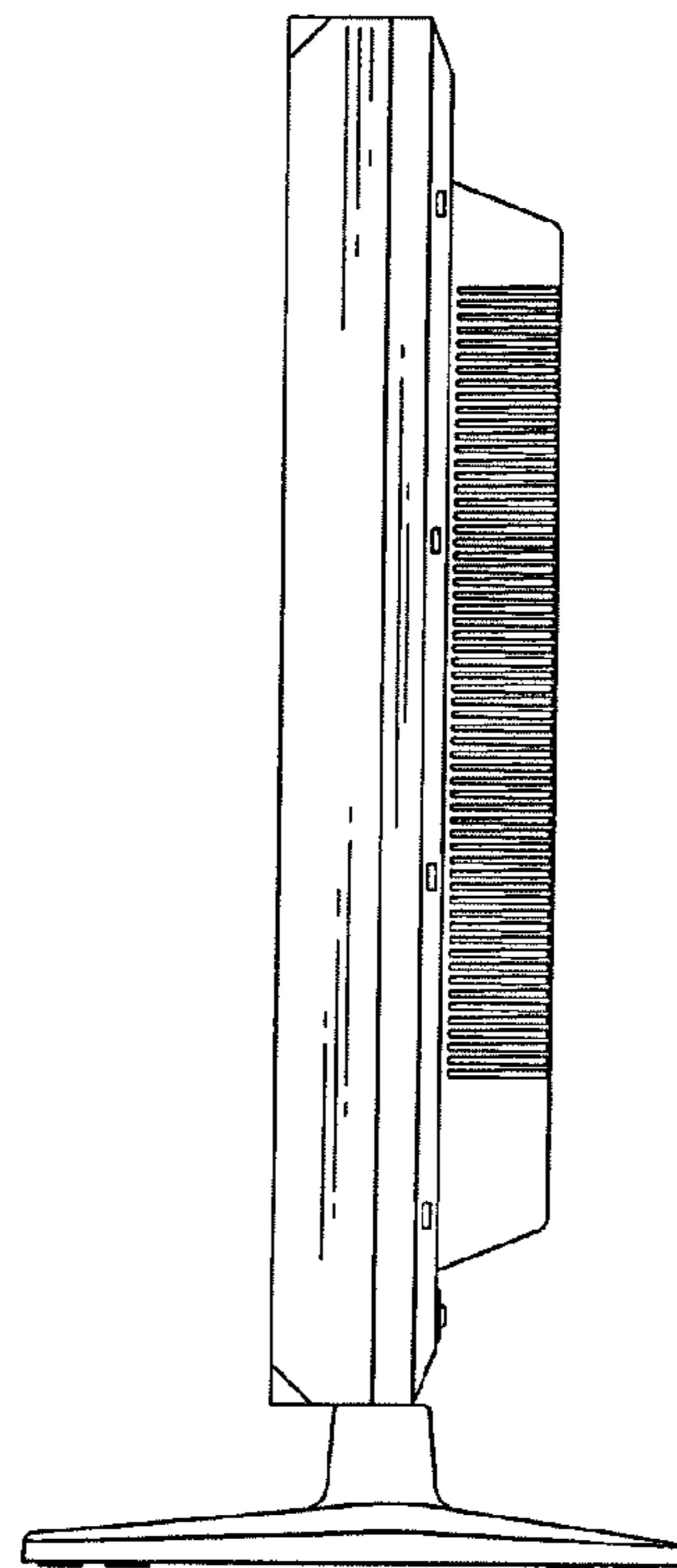


FIG. 6

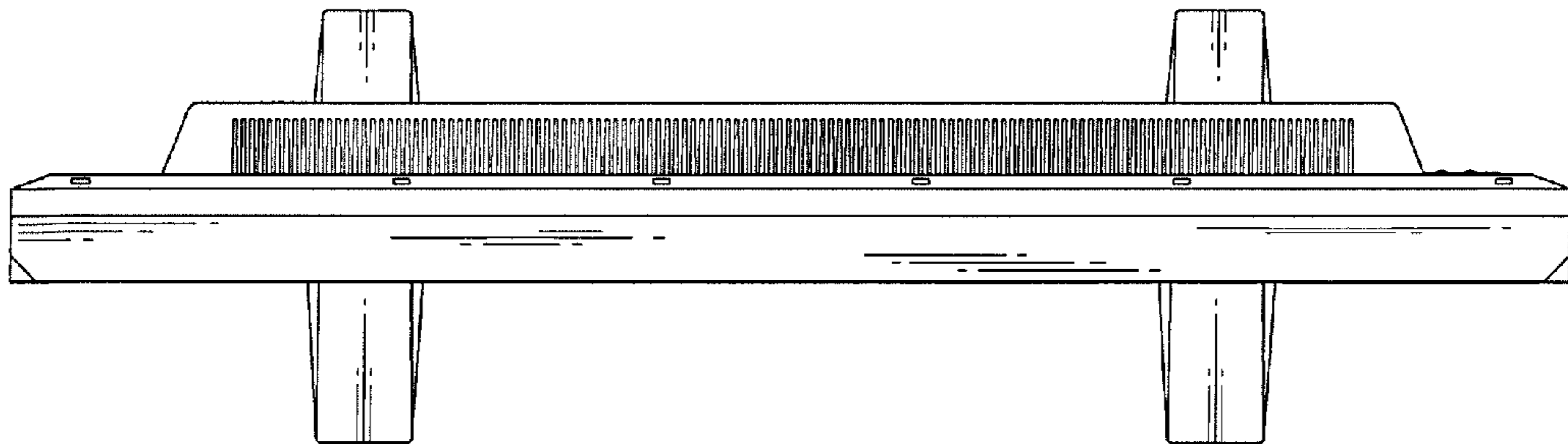


FIG. 7

