



US00D691568S

(12) **United States Design Patent**
Holland et al.

(10) **Patent No.:** **US D691,568 S**

(45) **Date of Patent:** **** Oct. 15, 2013**

(54) **MODULAR HEAT SINK**

(71) Applicant: **Lighting Science Group Corporation,**
Satellite Beach, FL (US)

(72) Inventors: **Eric Holland,** Indian Harbour Beach, FL
(US); **Mark P. Boomgaarden,** Satellite
Beach, FL (US); **Rick LeClair,**
Melbourne, FL (US)

(73) Assignee: **Lighting Science Group Corporation,**
Satellite Beach, FL (US)

(**) Term: **14 Years**

(21) Appl. No.: **29/433,353**

(22) Filed: **Sep. 28, 2012**

(51) **LOC (9) Cl.** **13-03**

(52) **U.S. Cl.**
USPC **D13/179**

(58) **Field of Classification Search**
USPC D13/179; D26/2; 257/706, 707,
257/718-722; 361/695, 697, 700, 702, 704,
361/709, 710, 711, 719; 165/80.3, 104.26,
165/104.33, 122, 151, 185

See application file for complete search history.

(56) **References Cited**

U.S. PATENT DOCUMENTS

D473,529	S	*	4/2003	Feinbloom	D13/179
6,787,999	B2	*	9/2004	Stimac et al.	315/51
D530,683	S	*	10/2006	Rivas et al.	D13/179
D601,279	S	*	9/2009	Ou et al.	D26/2
7,936,119	B2	*	5/2011	Cheng	313/498
D661,259	S	*	6/2012	Layevsky et al.	D13/179
D661,260	S	*	6/2012	Layevsky et al.	D13/179
D662,898	S	*	7/2012	Petroski	D13/179
2003/0063439	A1	*	4/2003	Wei et al.	361/703
2010/0109499	A1	*	5/2010	Vilgiate et al.	313/1
2011/0037367	A1	*	2/2011	Wang et al.	313/46
2011/0122582	A1	*	5/2011	Park et al.	361/697

* cited by examiner

Primary Examiner — Selina Sikder

(74) *Attorney, Agent, or Firm* — Mark R. Malek; Zies
Widerman & Malek

(57) **CLAIM**

The ornamental design of a modular heat sink, as shown and
described.

DESCRIPTION

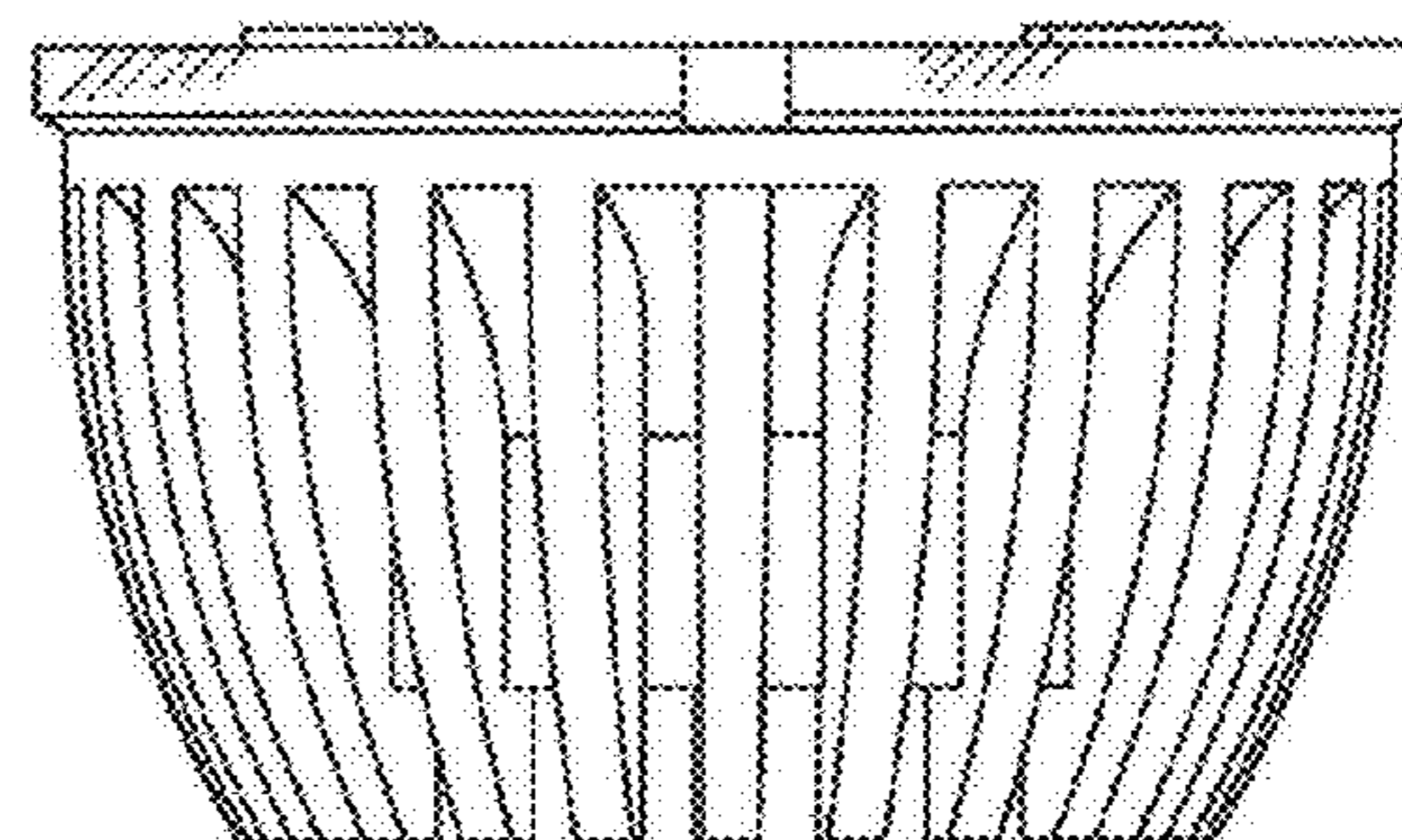
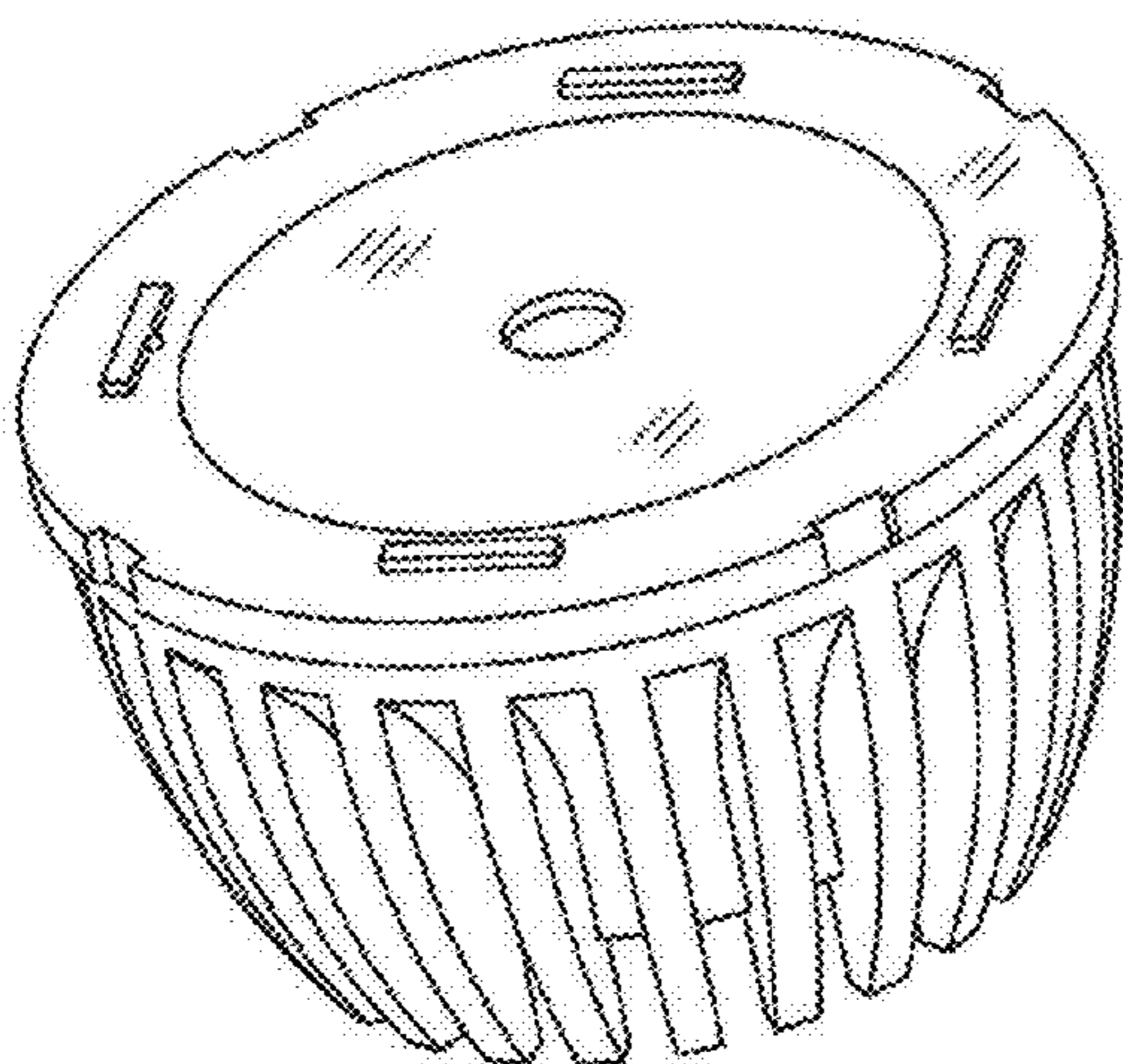
FIG. 1 is a perspective view of a modular heat sink according
to the present invention.

FIG. 2 is a side elevation view of the modular heat sink
illustrated in FIG. 1.

FIG. 3 is a top plan view of the modular heat sink illustrated
in FIG. 1; and,

FIG. 4 is a bottom plan view of the modular heat sink illus-
trated in FIG. 1.

1 Claim, 2 Drawing Sheets



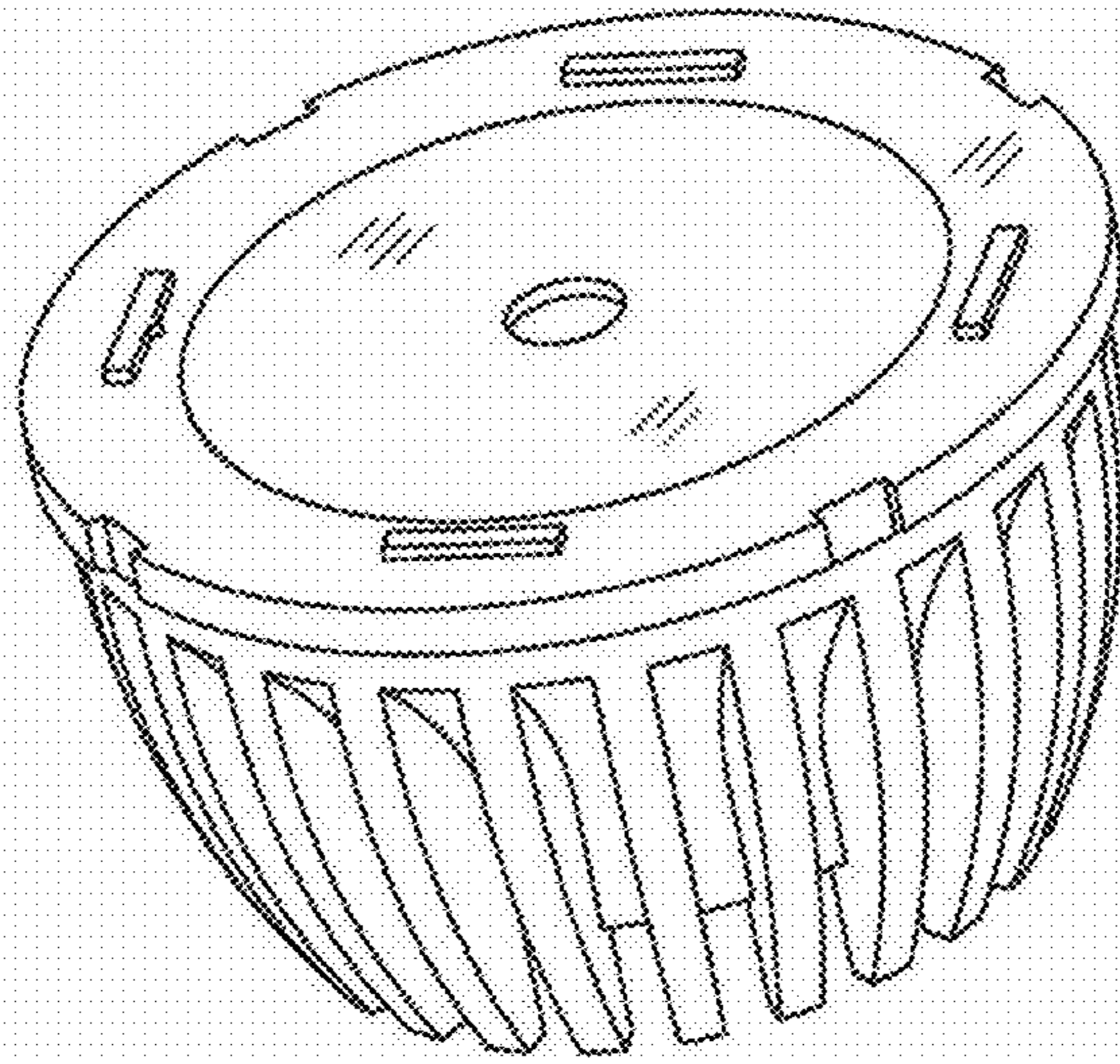


Fig. 1

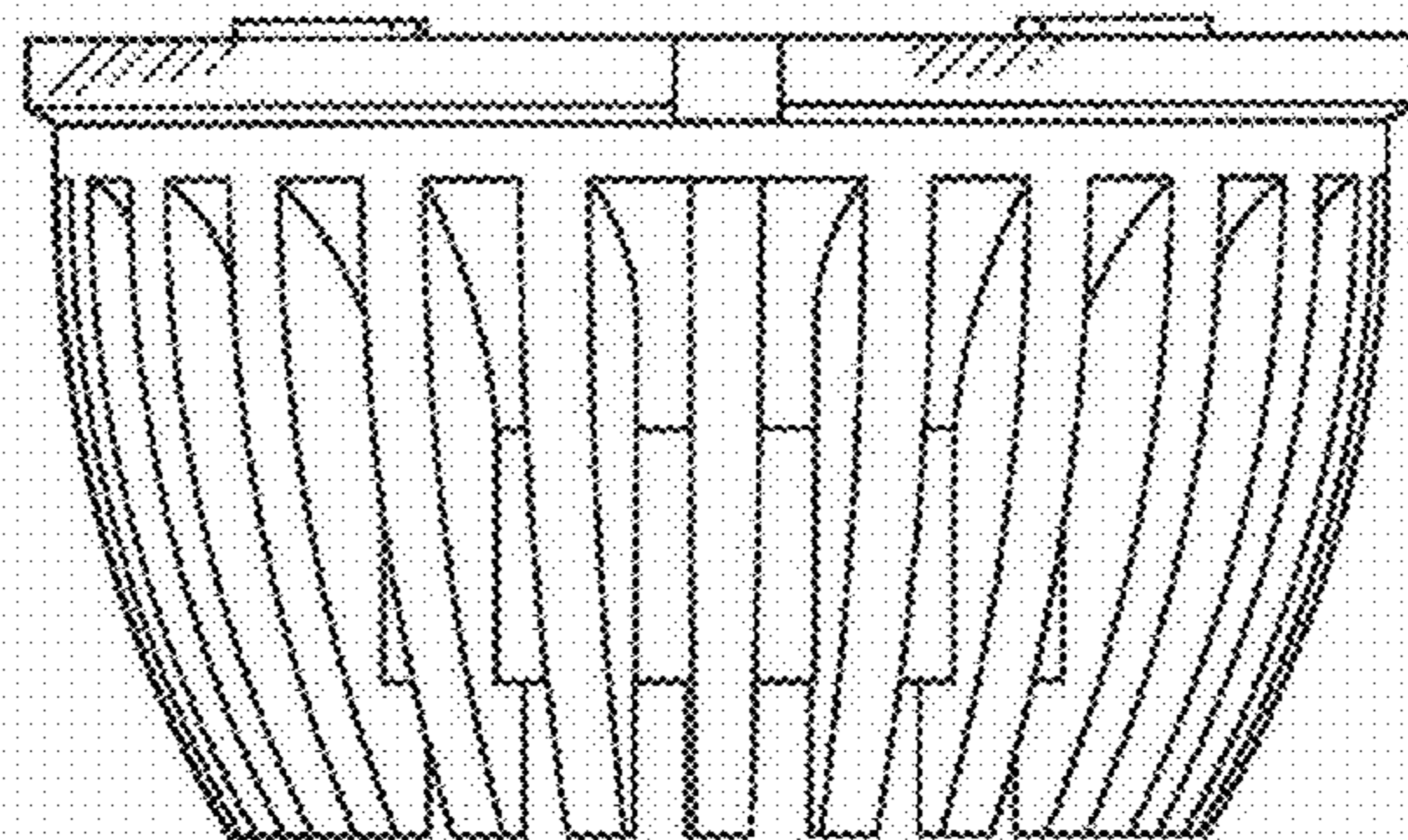


Fig. 2

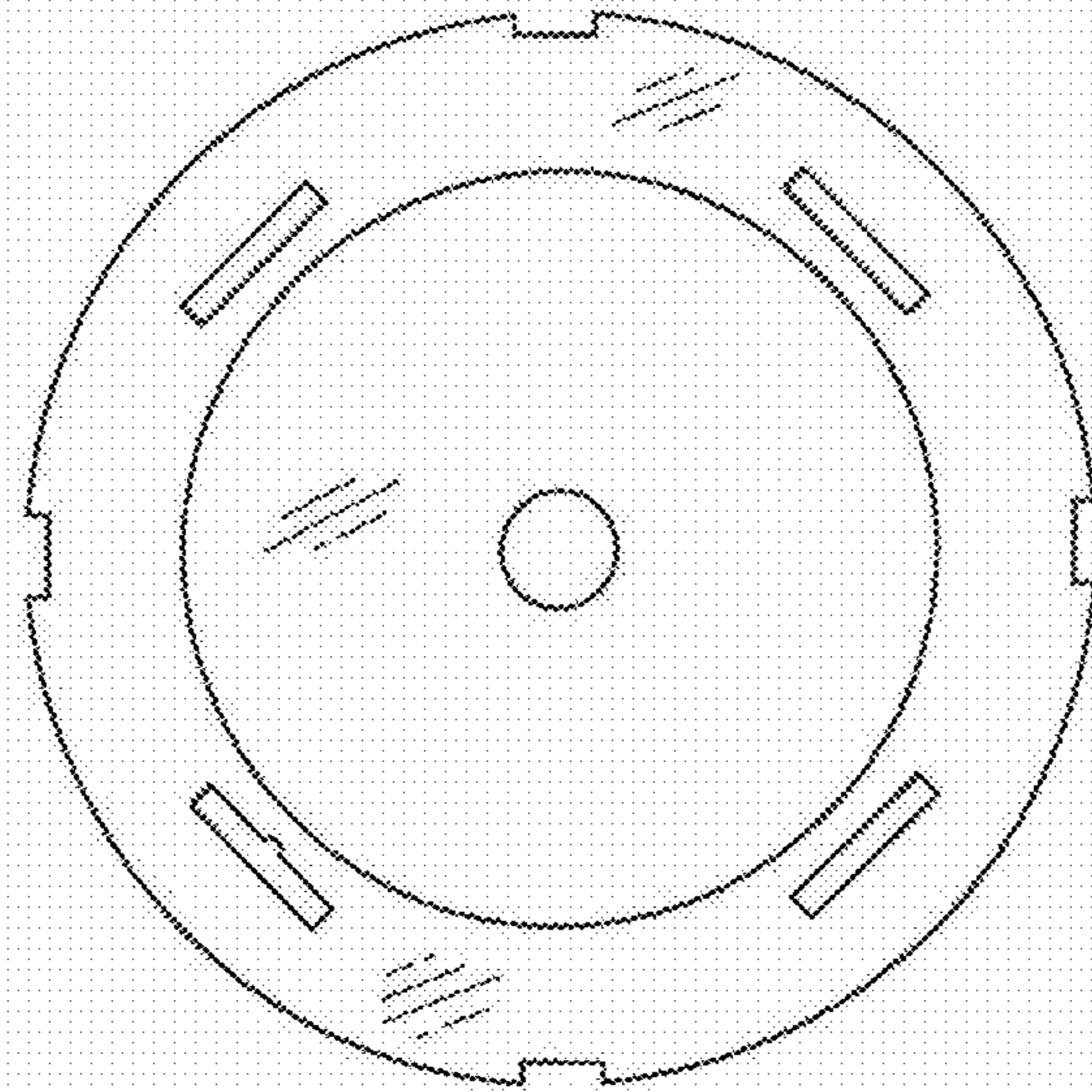


Fig. 3

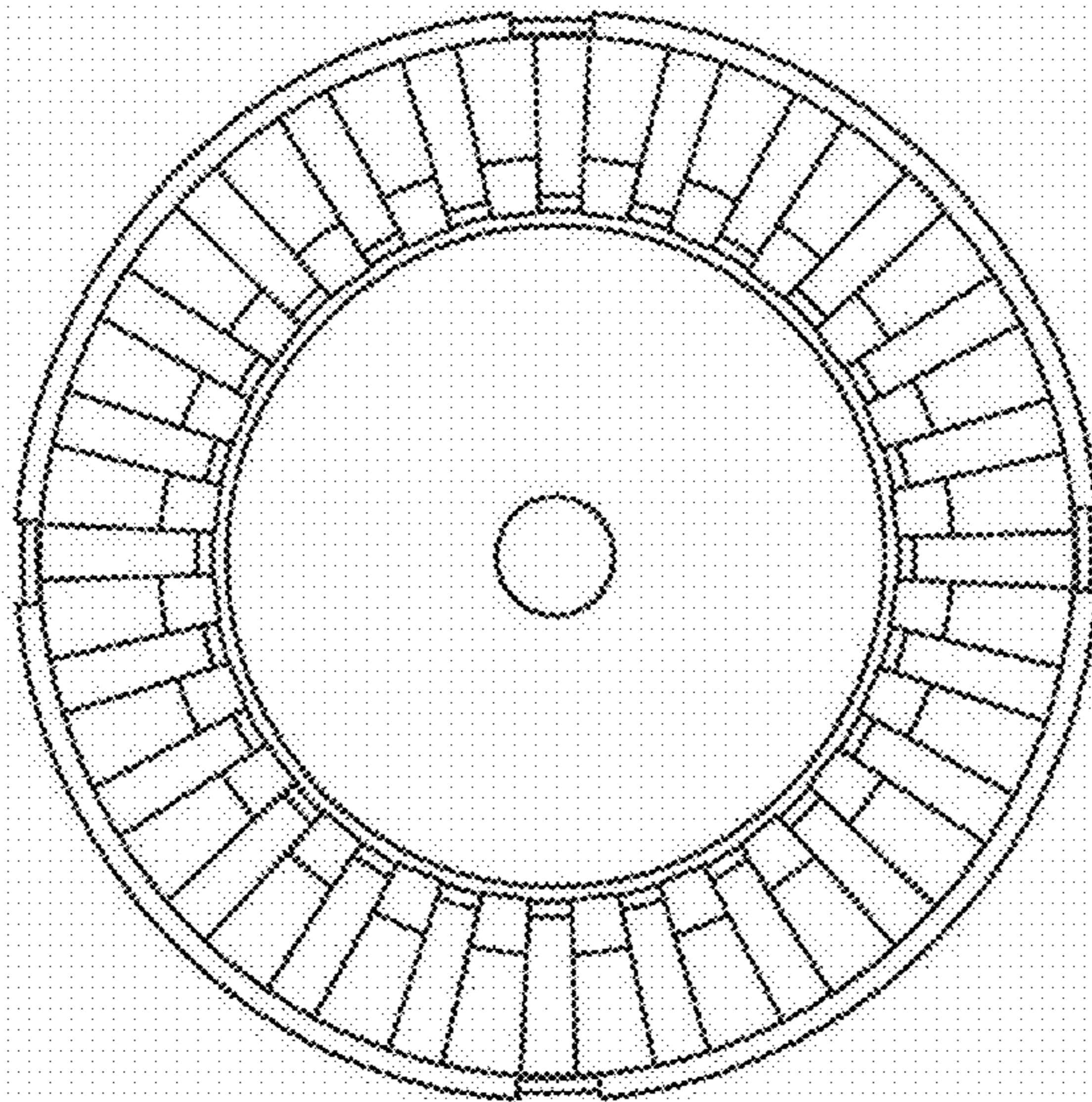


Fig. 4