

US00D691567S

(12) **United States Design Patent**
Knudsen

(10) **Patent No.:** **US D691,567 S**

(45) **Date of Patent:** **** Oct. 15, 2013**

(54) **HAND CONTROL**

(75) Inventor: **Martin Kahr Knudsen**, Sydals (DK)

(73) Assignee: **Linak A/S**, Nordborg (DK)

(**) Term: **14 Years**

(21) Appl. No.: **29/430,300**

(22) Filed: **Aug. 23, 2012**

(30) **Foreign Application Priority Data**

Mar. 1, 2012 (DK) DA 2012 00041

(51) **LOC (9) Cl.** **14-03**

(52) **U.S. Cl.**
USPC **D13/168**

(58) **Field of Classification Search**
USPC D13/168; D10/104.1, 106.1; D14/218;
D24/200, 215; 318/16; 340/4.3, 4.42,
340/12.22, 12.23, 12.24, 12.29, 12.3, 13.2,
340/13.21, 13.24; 341/176; 601/1, 72;
700/17, 65, 83

See application file for complete search history.

(56) **References Cited**

U.S. PATENT DOCUMENTS

| | | | | |
|--------------|---------|-------------------|-------|---------|
| D363,550 S * | 10/1995 | Teo et al. | | D24/200 |
| D373,998 S * | 9/1996 | Tutt et al. | | D13/168 |
| D382,543 S * | 8/1997 | Tsung | | D13/168 |
| D443,596 S * | 6/2001 | Ohkuma | | D13/168 |
| D533,516 S * | 12/2006 | Murata et al. | | D13/168 |
| D584,694 S * | 1/2009 | Greitzke | | D13/168 |
| D595,668 S * | 7/2009 | Lasky et al. | | D13/168 |
| D609,196 S * | 2/2010 | Chiang et al. | | D13/164 |
| D617,744 S * | 6/2010 | Landerholm et al. | | D13/168 |
| D638,806 S * | 5/2011 | Kim et al. | | D13/168 |
| D639,752 S * | 6/2011 | Li et al. | | D13/168 |
| D645,414 S * | 9/2011 | Hwang et al. | | D13/168 |

D662,066 S * 6/2012 Seidl et al. D13/168

* cited by examiner

Primary Examiner — Selina Sikder

(74) *Attorney, Agent, or Firm* — Dykema Gossett PLLC

(57) **CLAIM**

The ornamental design for a hand control, as shown and described.

DESCRIPTION

FIG. 1 is a first perspective rear view of a hand control showing my new design,

FIG. 2 is a second perspective rear view thereof,

FIG. 3 is a top plan view thereof,

FIG. 4 is a bottom plan view thereof,

FIG. 5 is a left side elevational view thereof,

FIG. 6 is a right side elevational view thereof,

FIG. 7 is a front elevational view thereof, and

FIG. 8 is a rear elevational view thereof,

FIG. 9 is a first perspective rear view of a holder for the hand control shown separately for ease of illustration,

FIG. 10 is a second perspective rear view thereof,

FIG. 11 is a top plan view thereof,

FIG. 12 is a bottom plan view thereof,

FIG. 13 is a front elevational view thereof,

FIG. 14 is a rear elevational view thereof,

FIG. 15 is a right side elevational view thereof, and

FIG. 16 is a left side elevational view thereof,

FIG. 17 is a first perspective rear view of a holder with hand control therein showing my new design,

FIG. 18 is a second perspective rear view thereof,

FIG. 19 is a top plan view thereof,

FIG. 20 is a bottom plan view thereof,

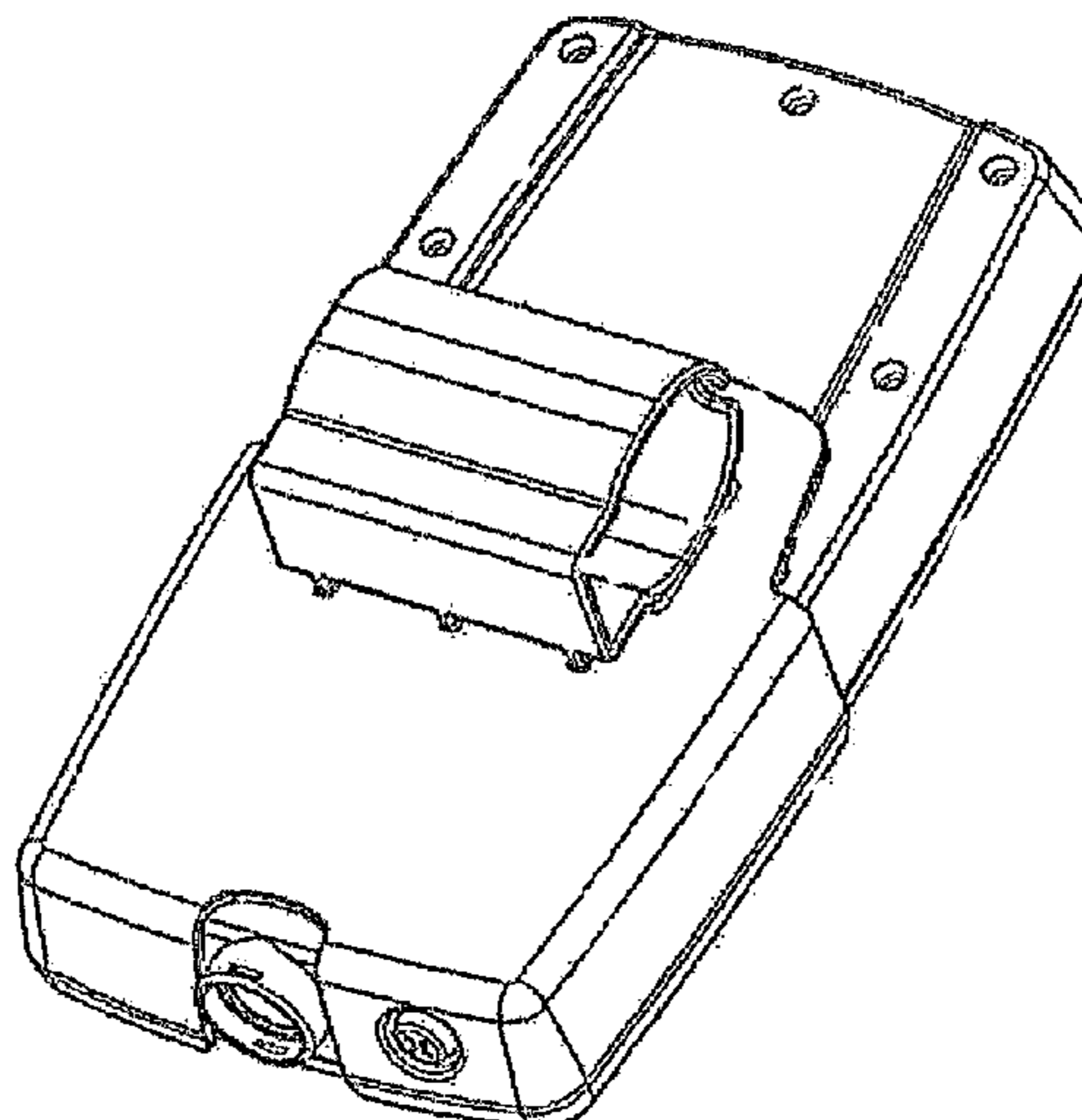
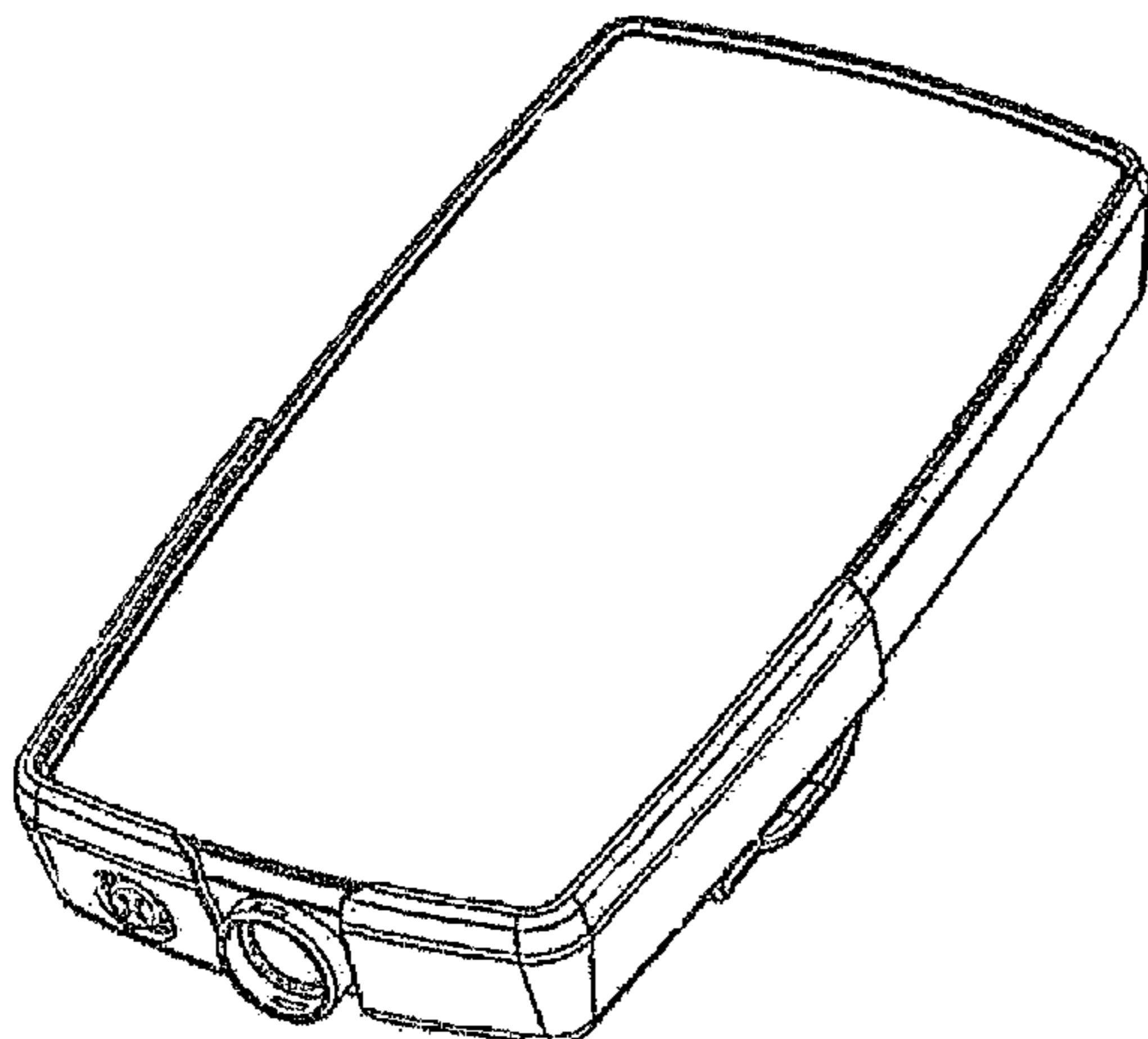
FIG. 21 is a left side elevational view thereof,

FIG. 22 is a right side elevational view thereof,

FIG. 23 is a front elevational view thereof; and,

FIG. 24 is a rear elevational view thereof.

1 Claim, 6 Drawing Sheets



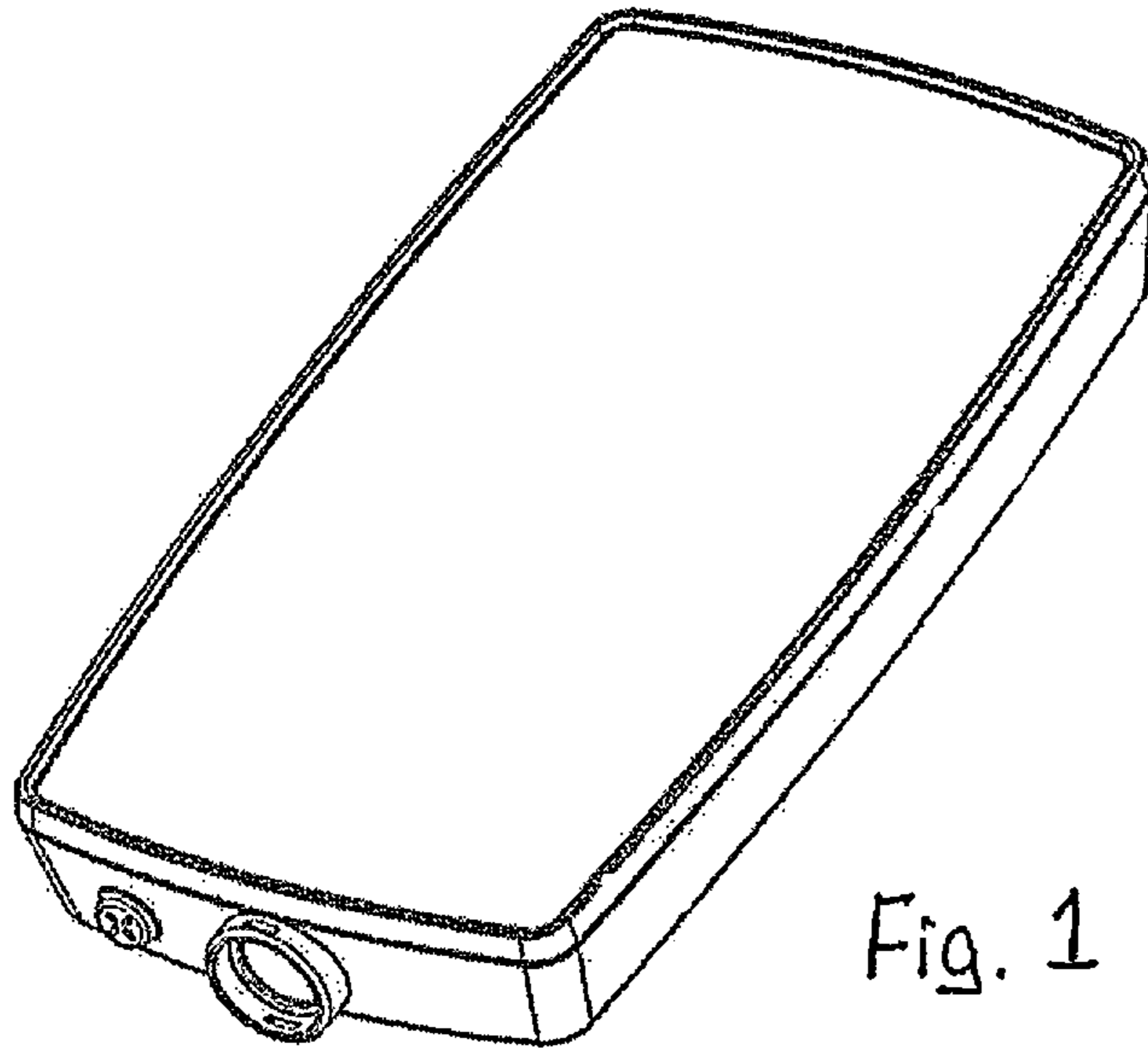


Fig. 1

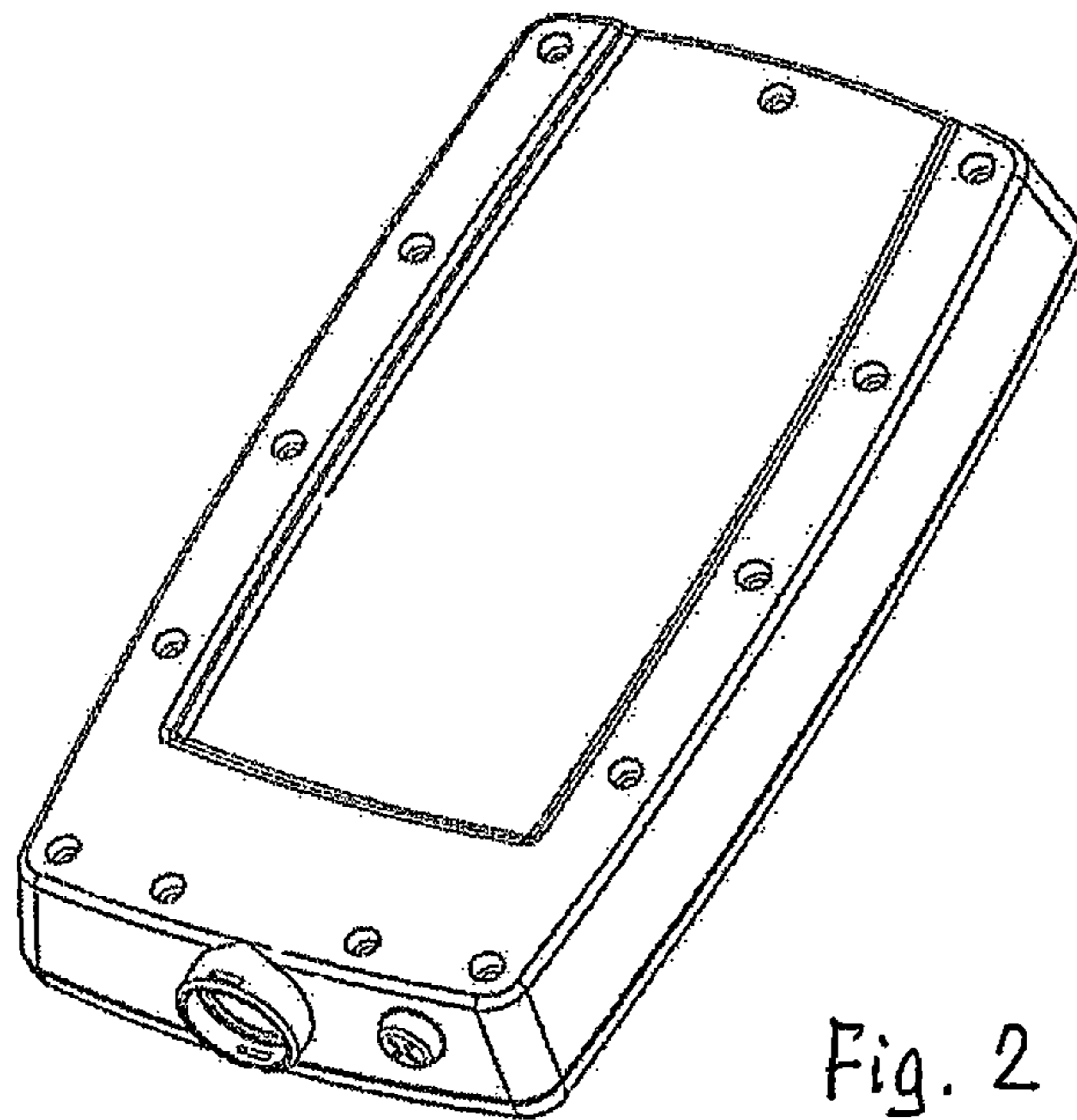


Fig. 2

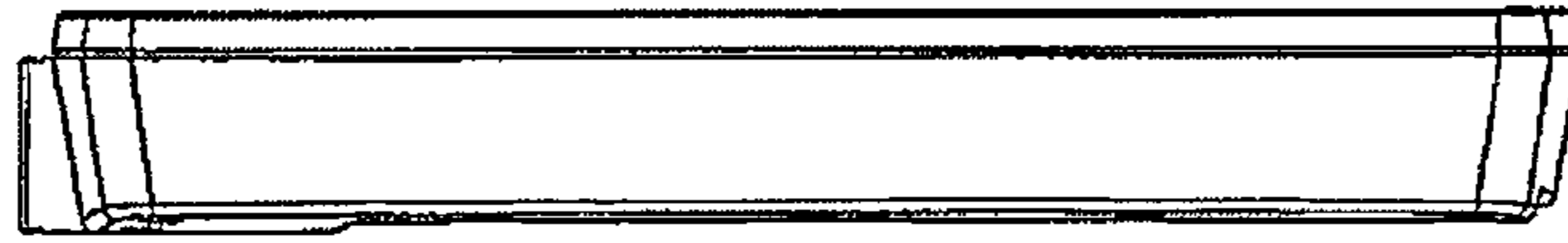


Fig. 6



Fig. 7

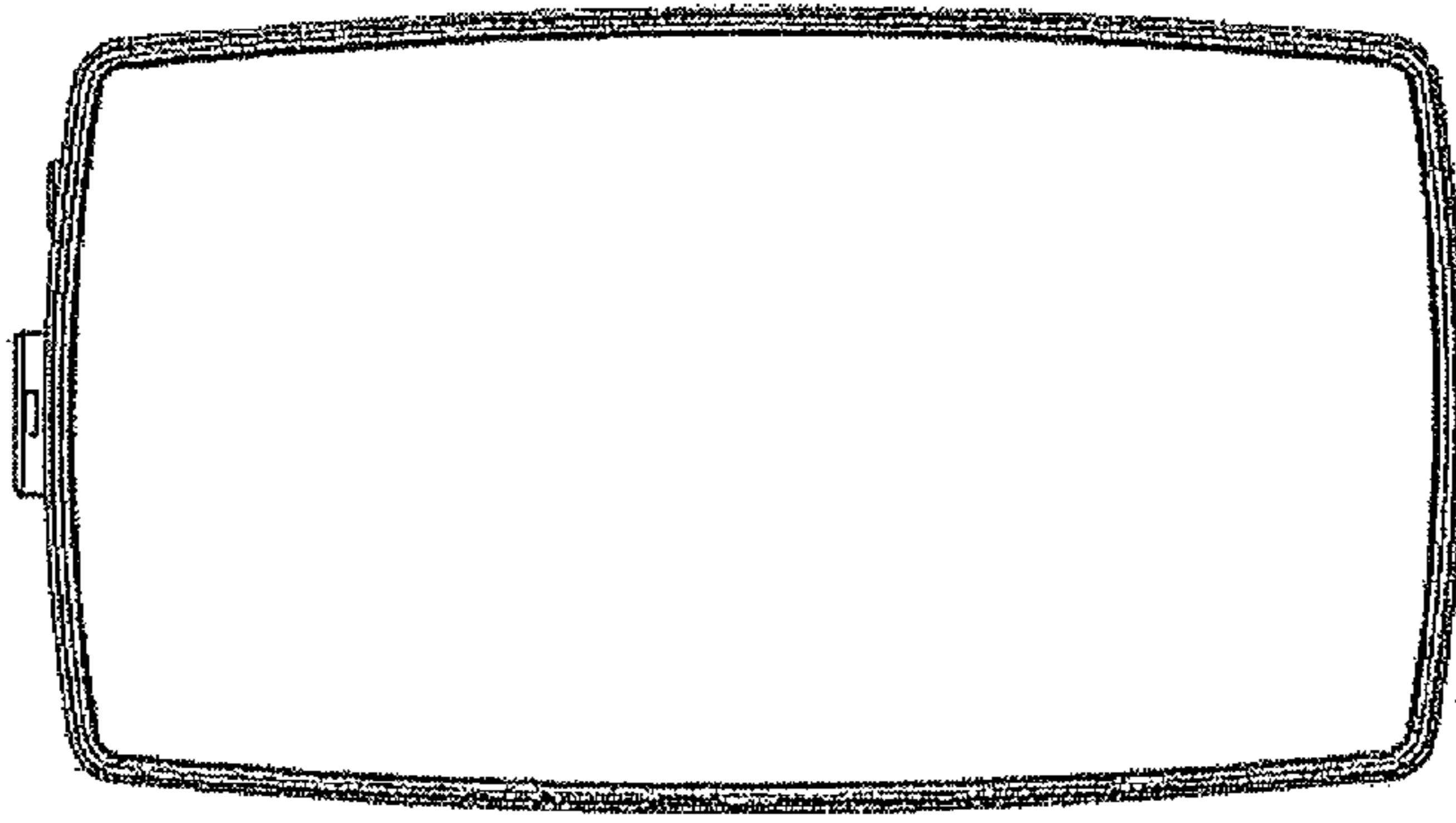


Fig. 3



Fig. 8

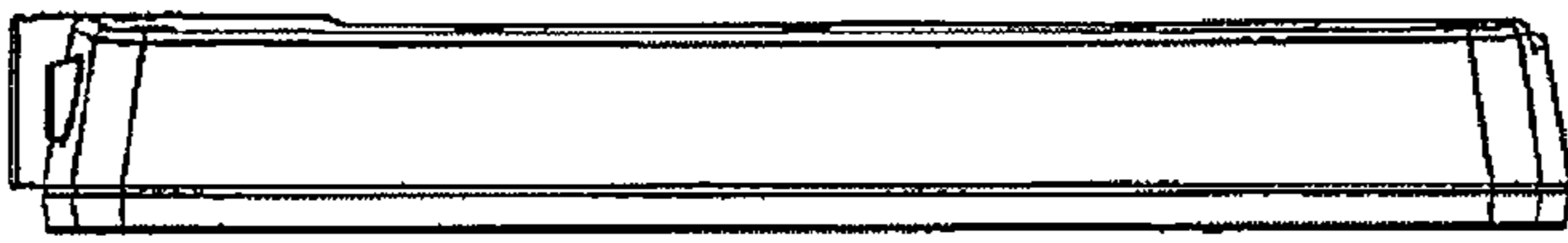


Fig. 5

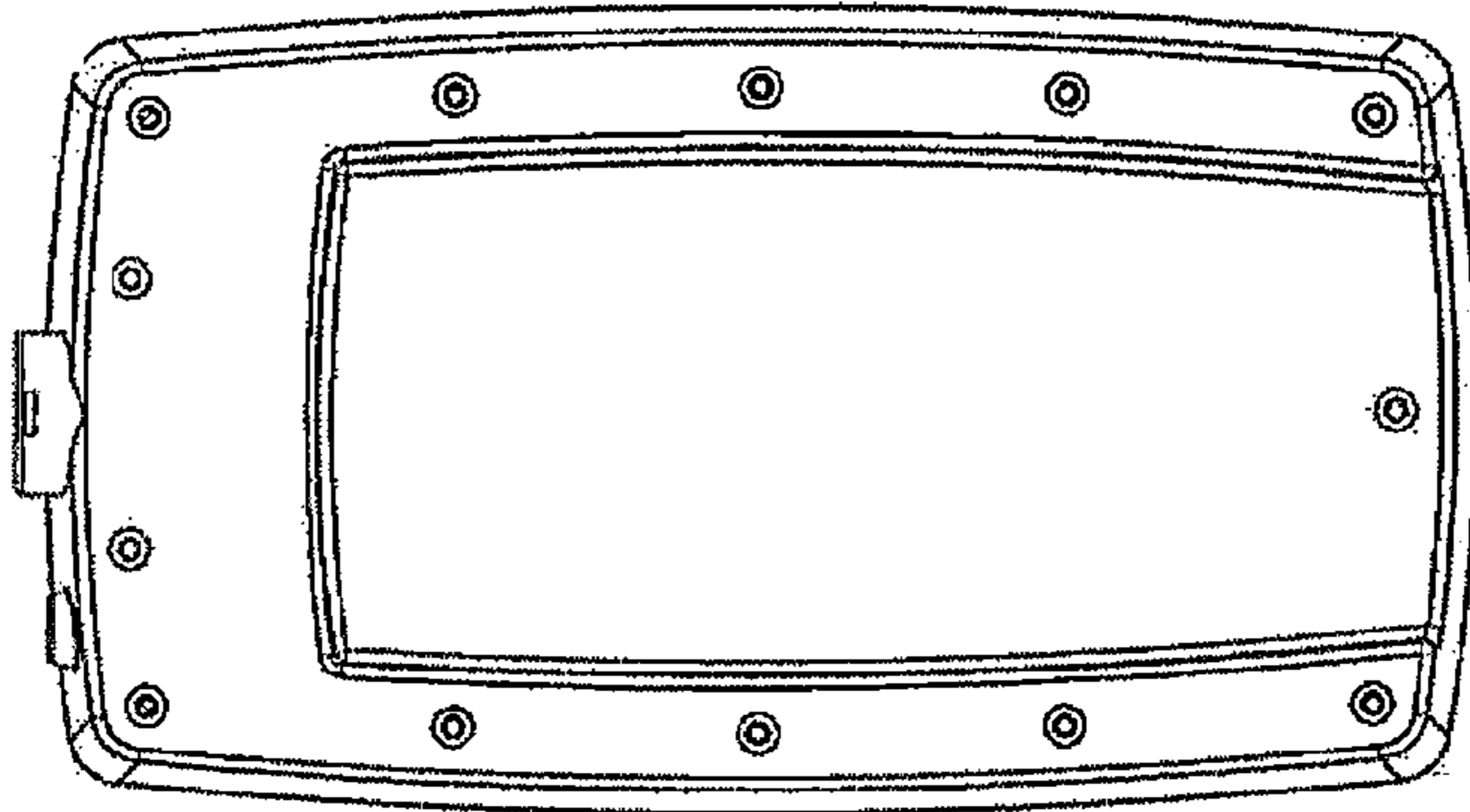


Fig. 4

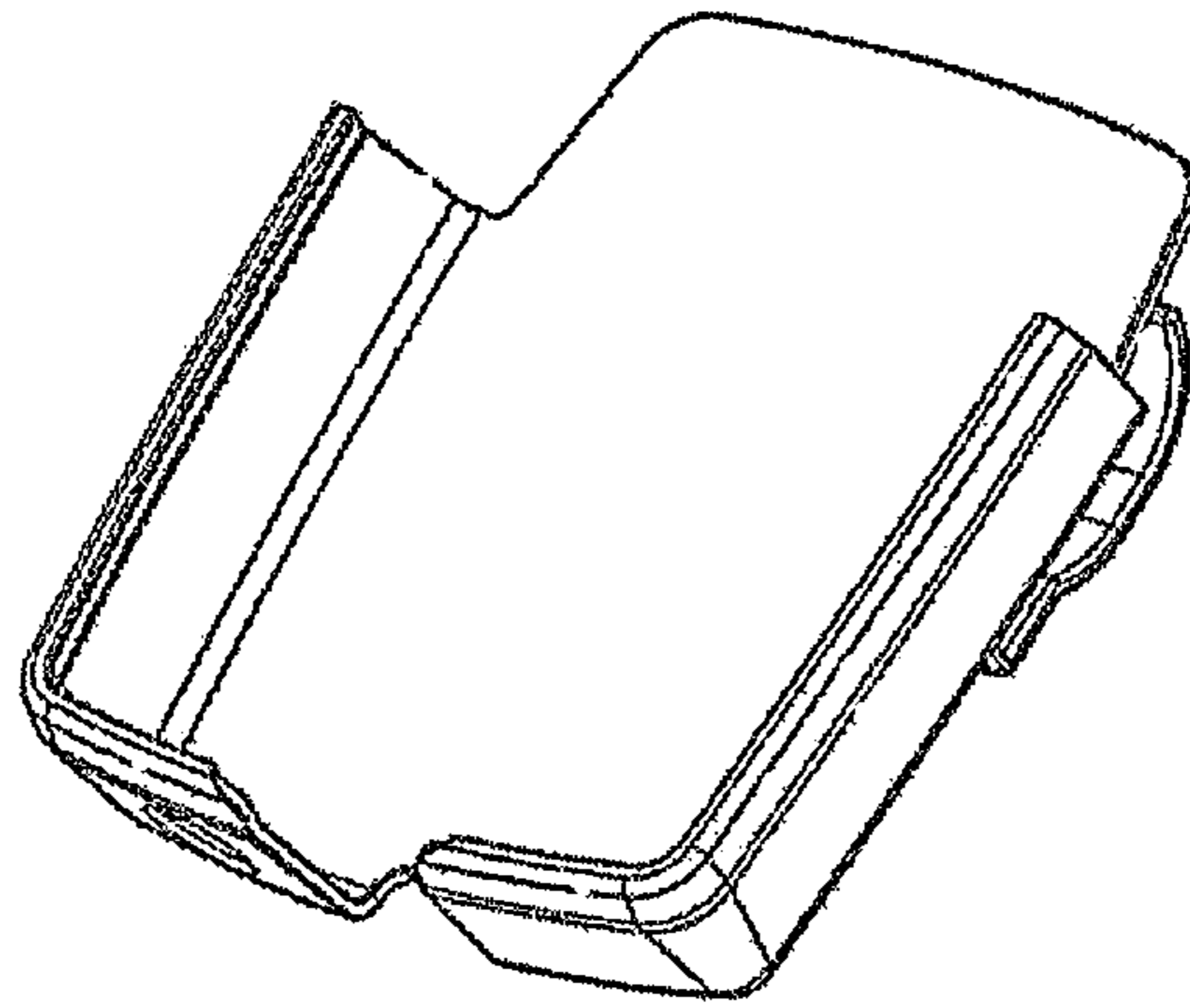


Fig. 9

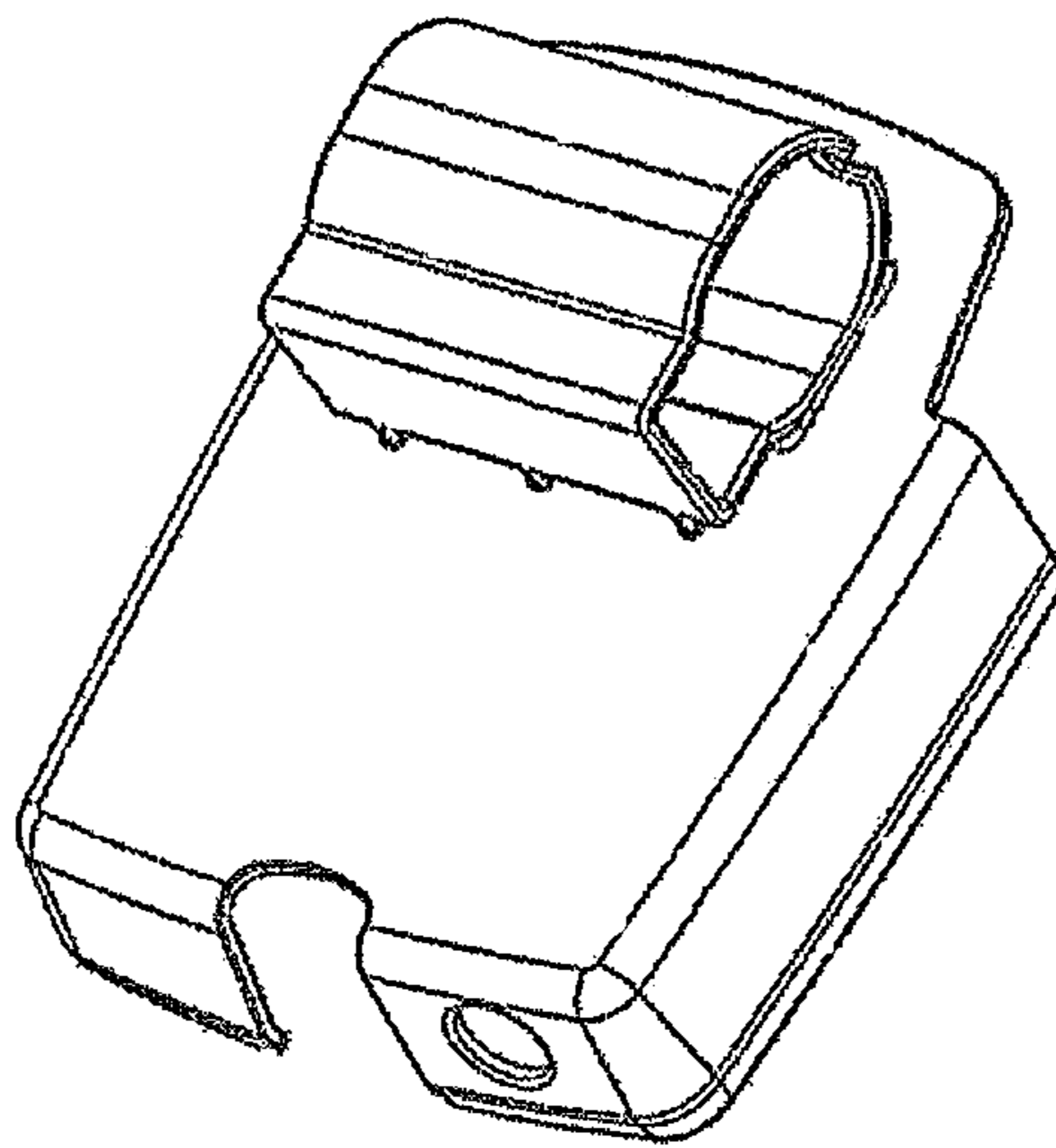


Fig. 10

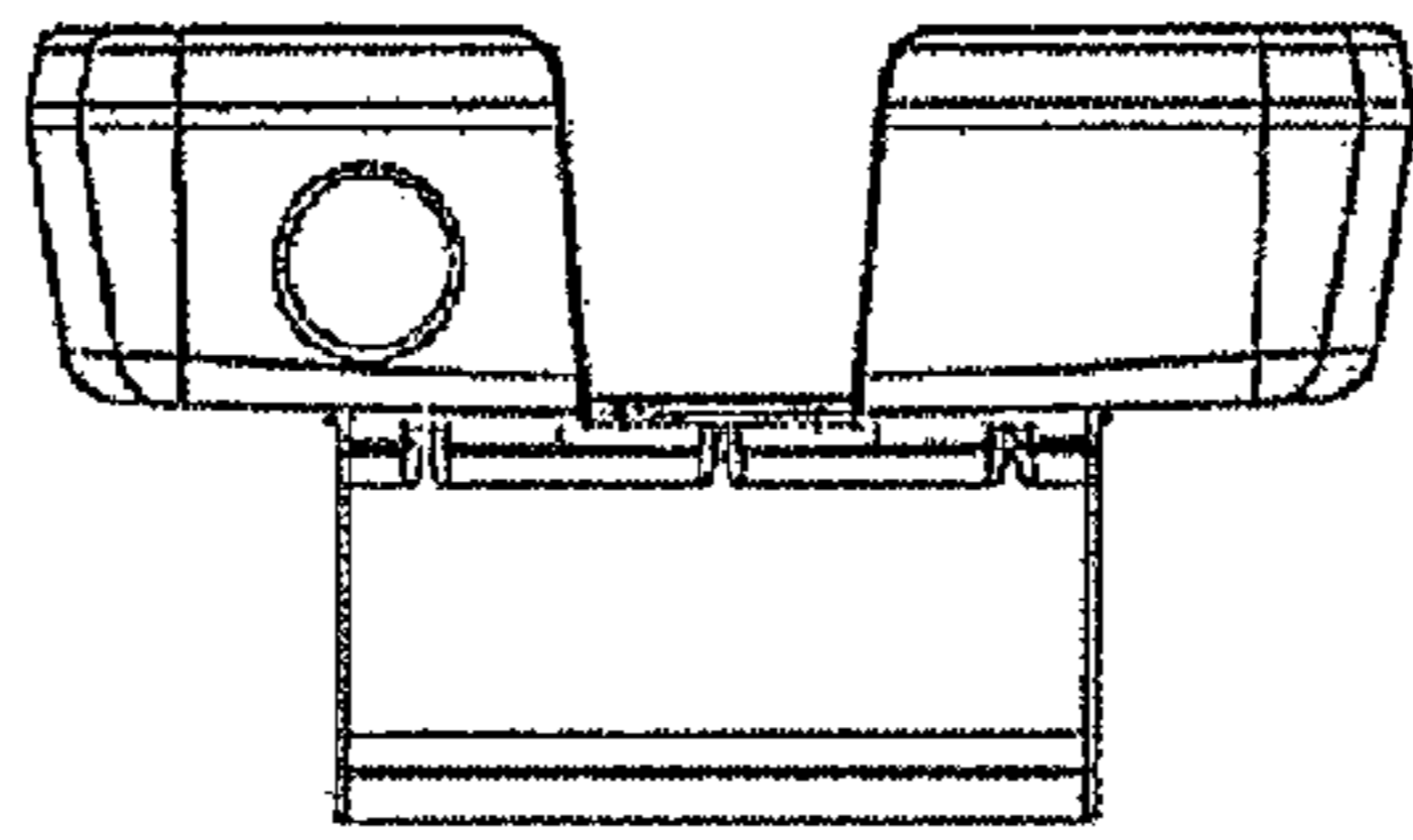


Fig. 14

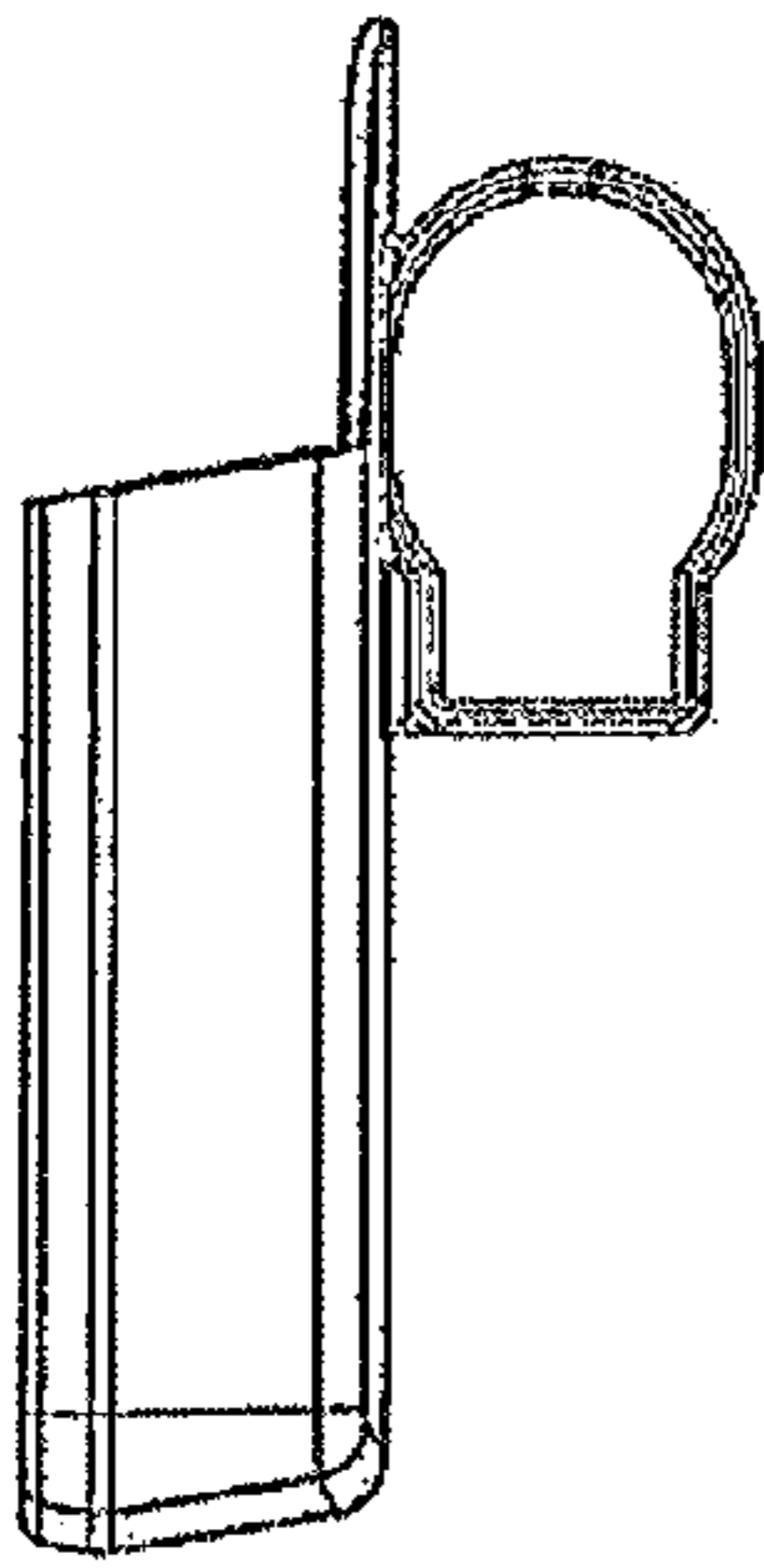


Fig. 15

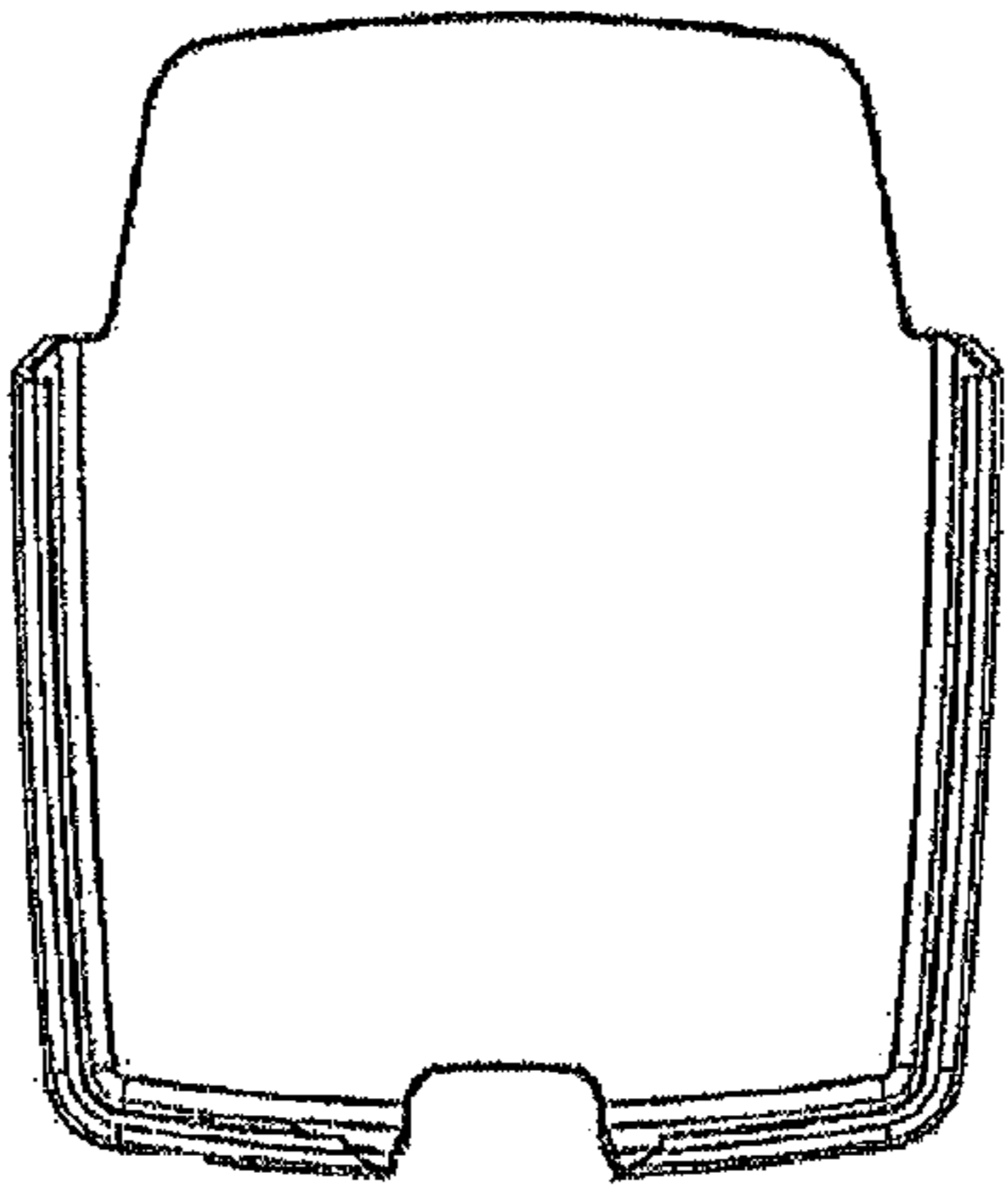


Fig. 11

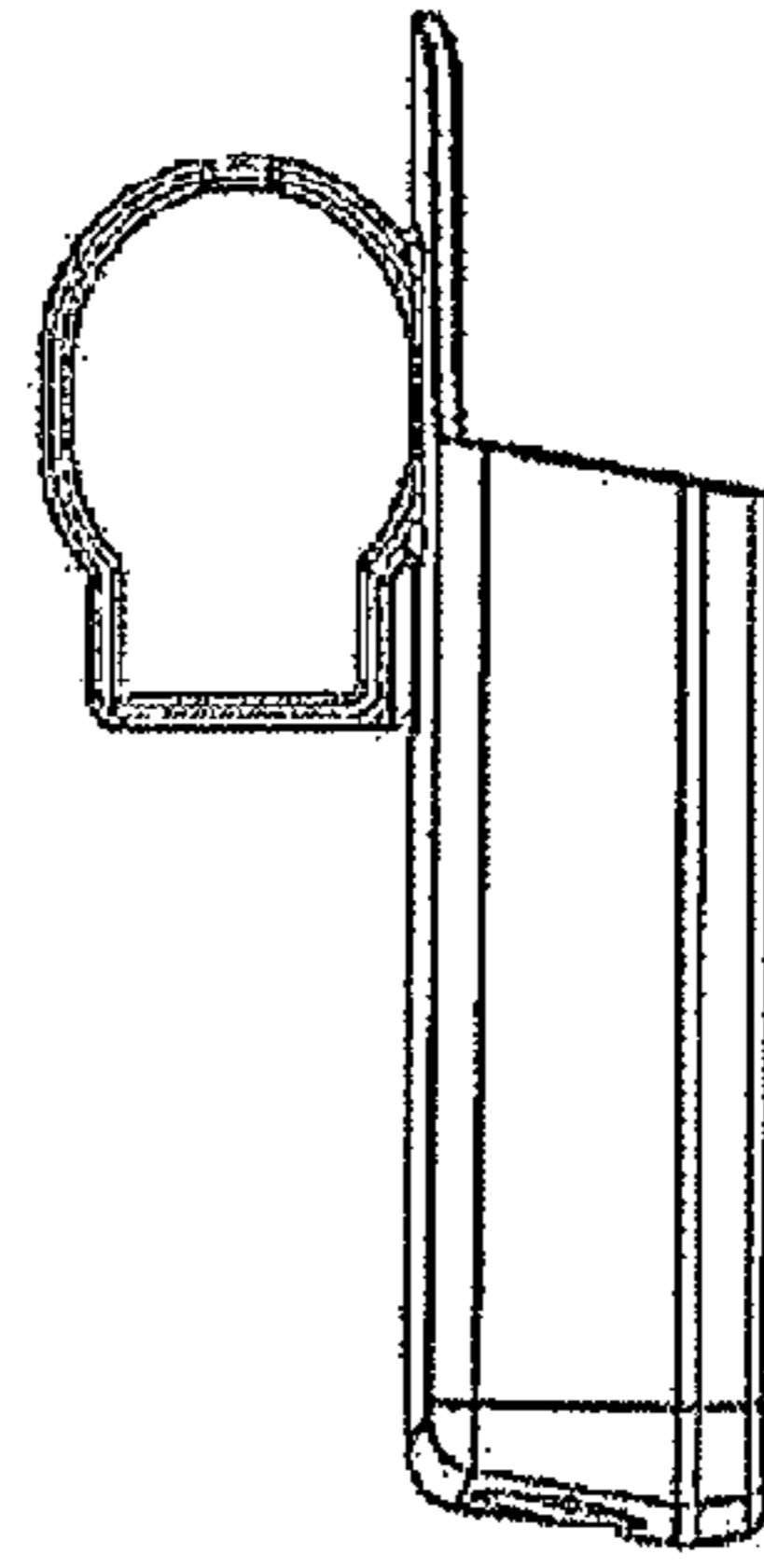


Fig. 16

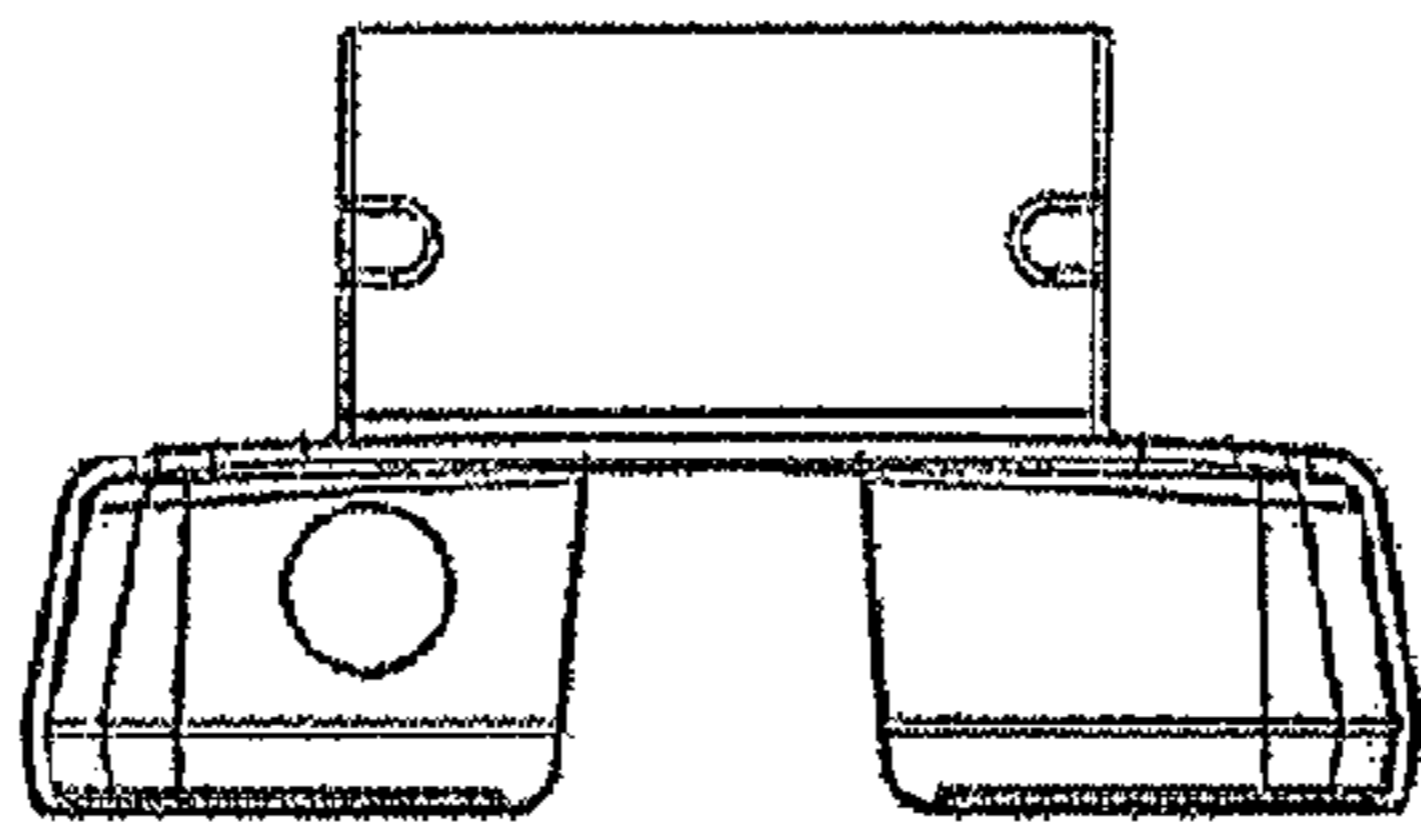


Fig. 13

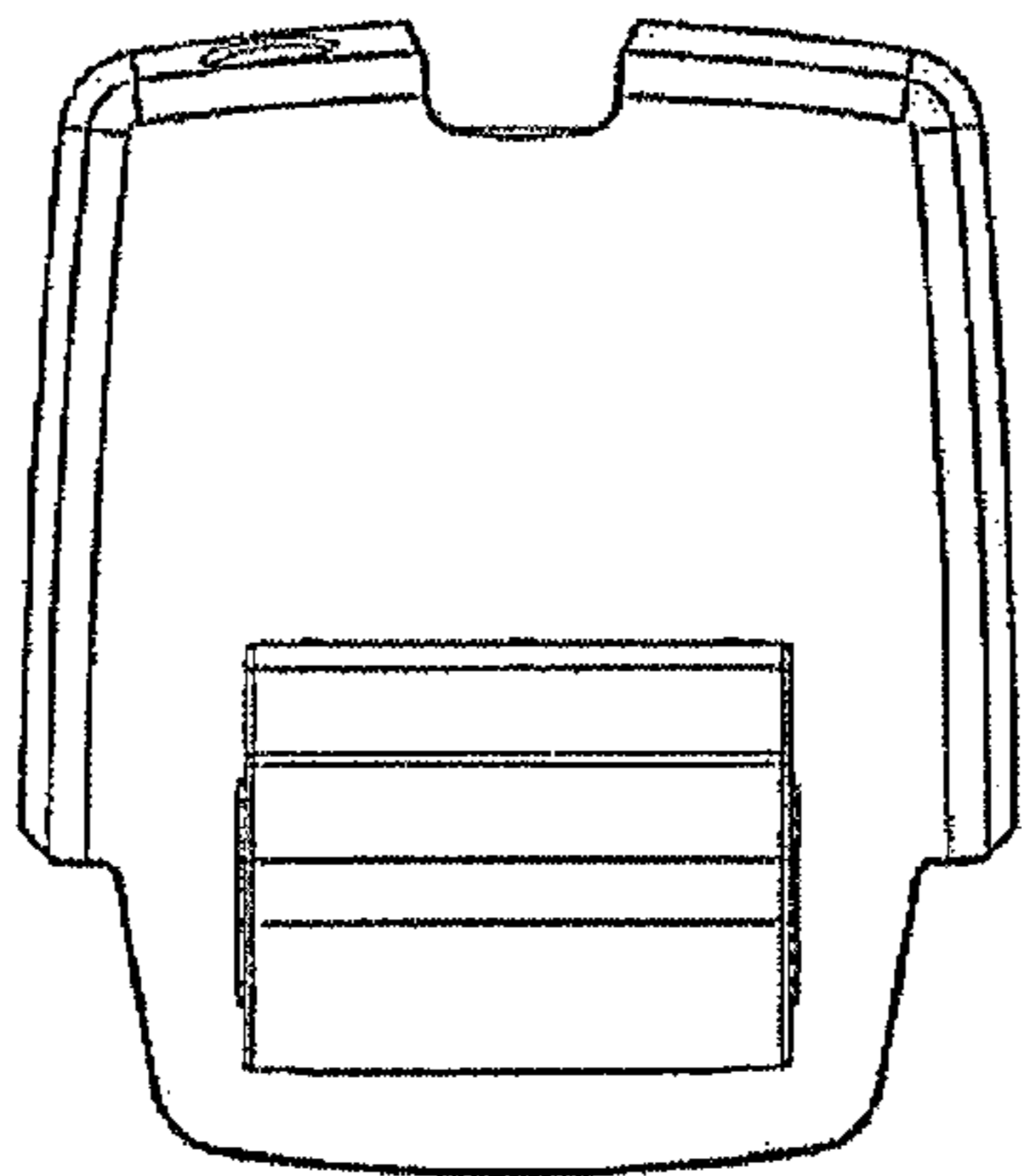


Fig. 12

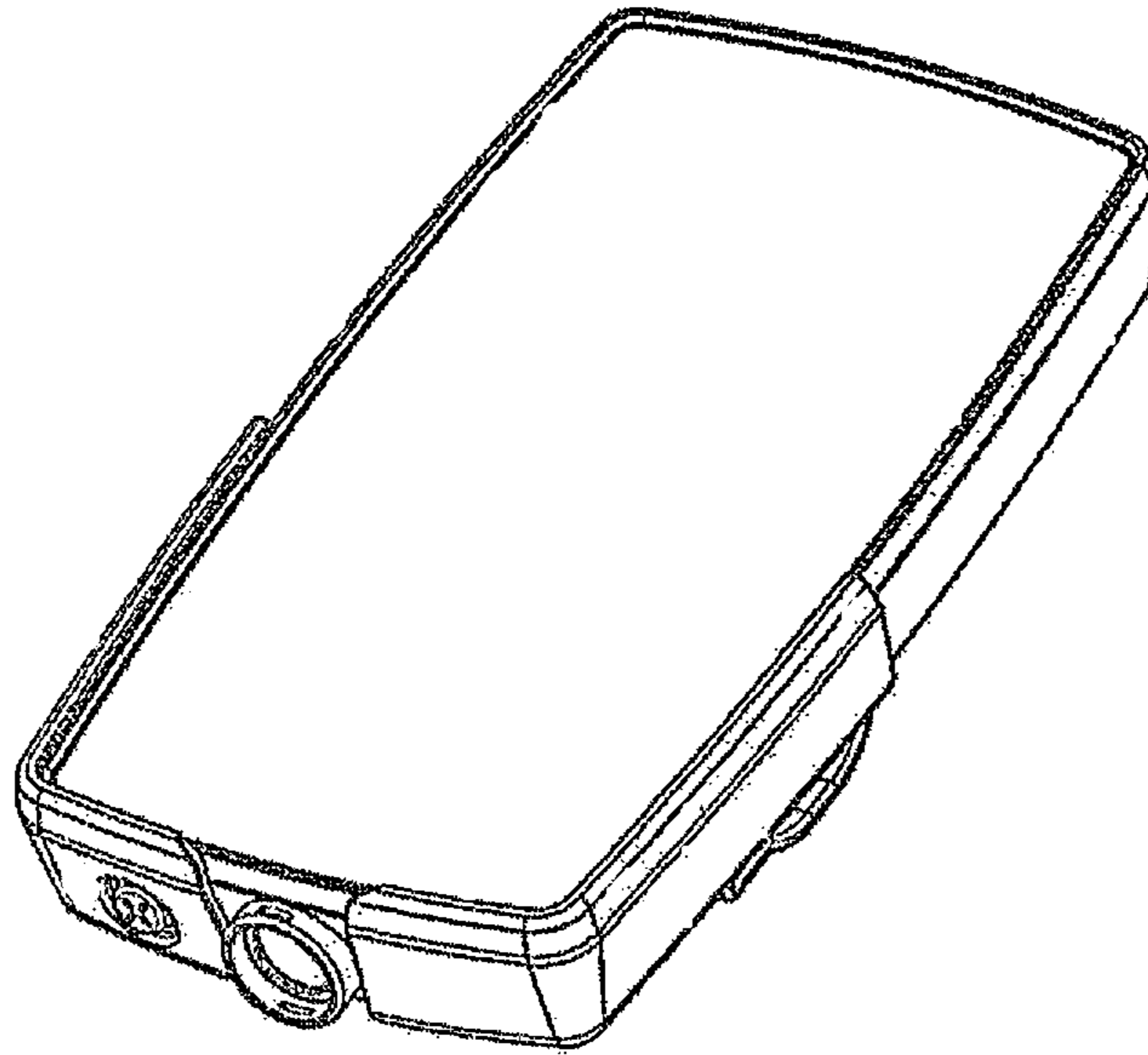


Fig. 17

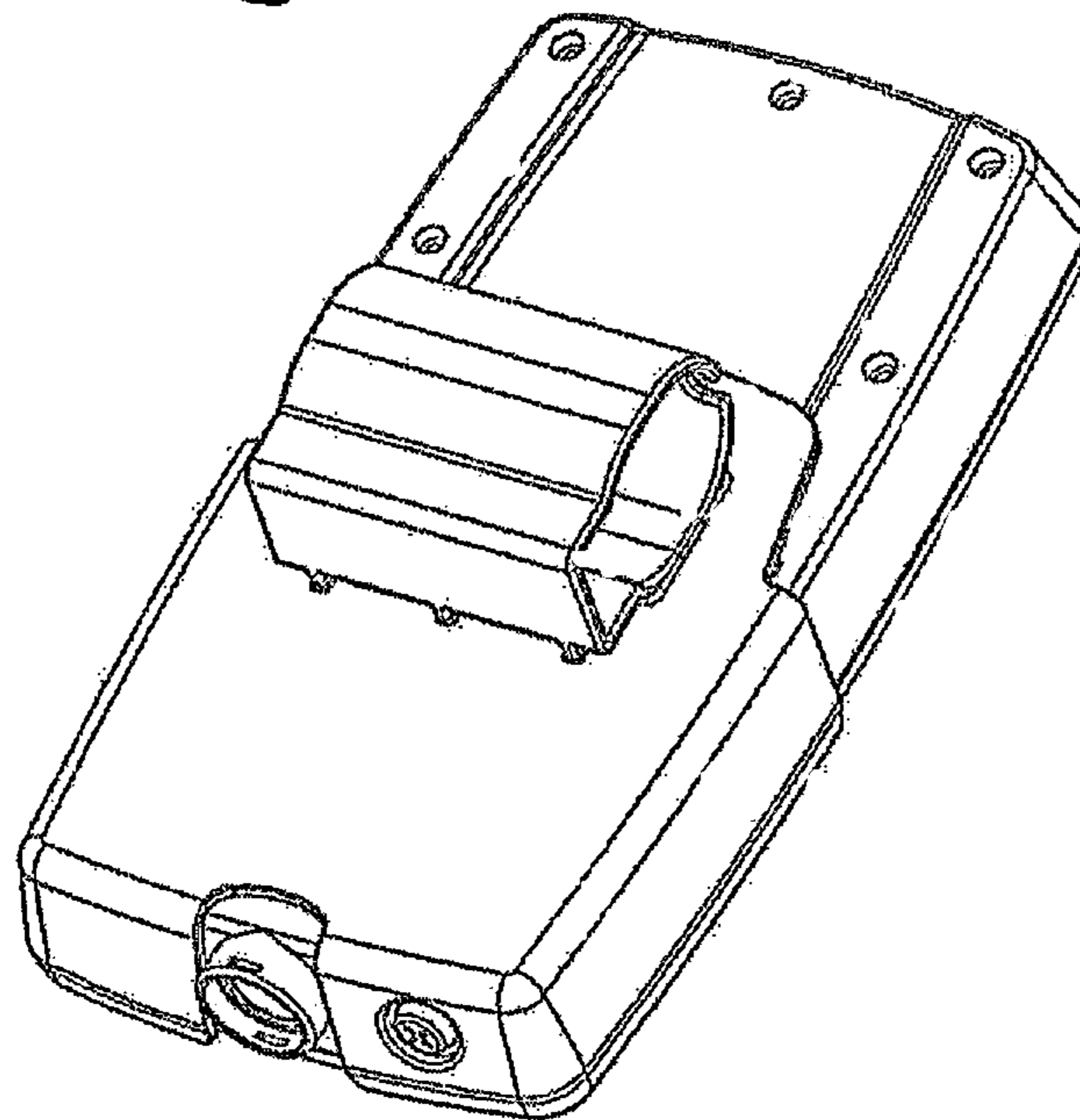


Fig. 18

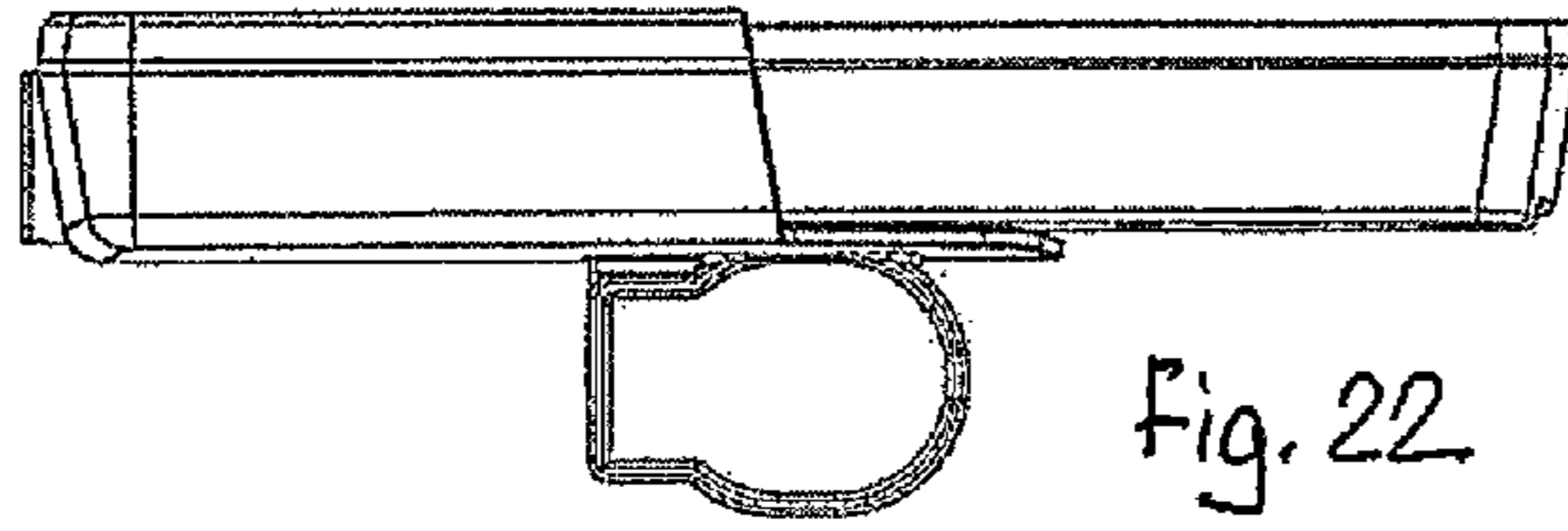


Fig. 22

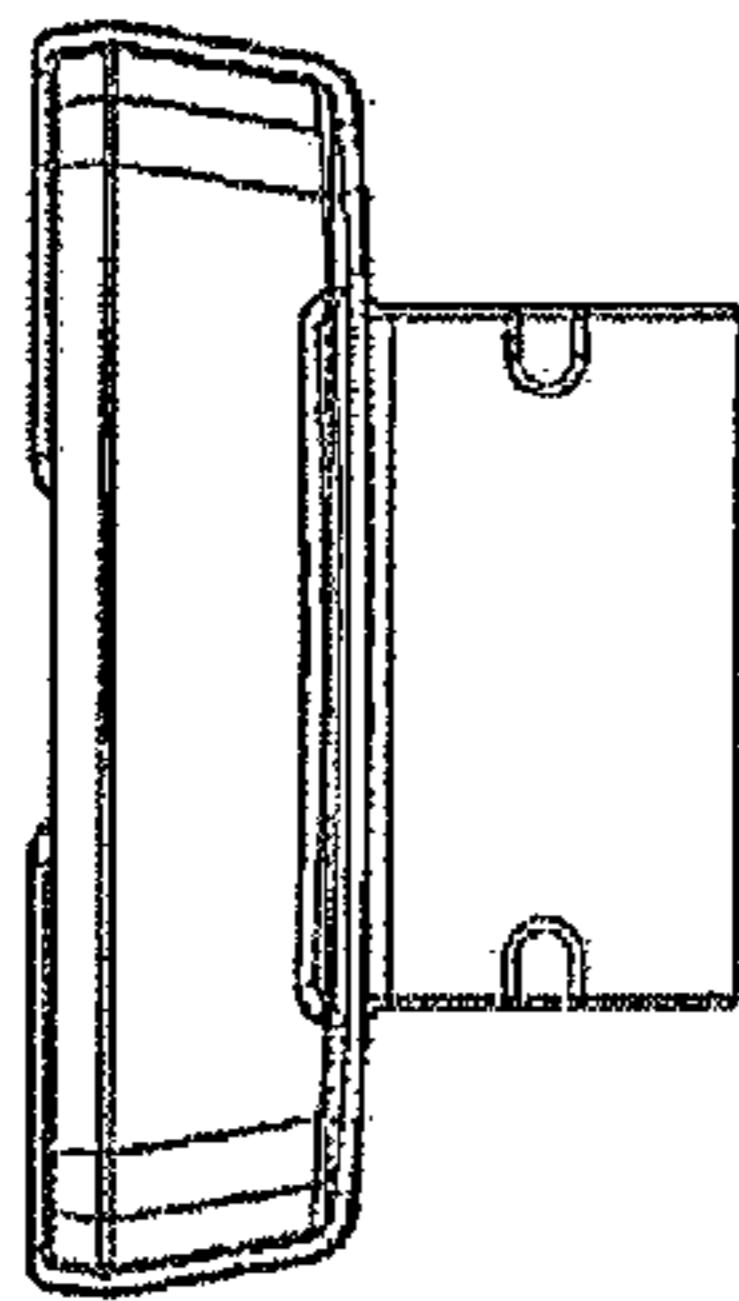


Fig. 23

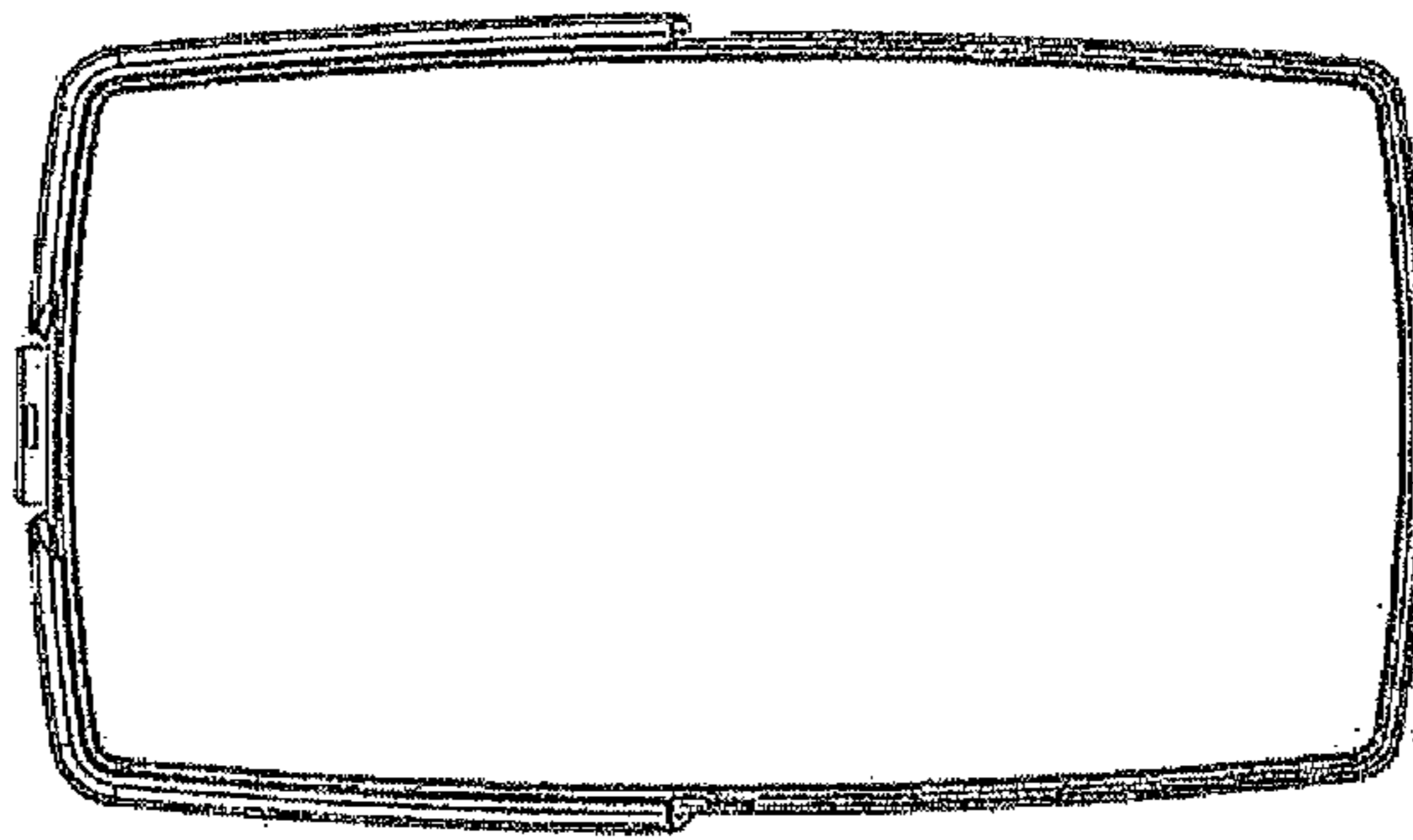


Fig. 19

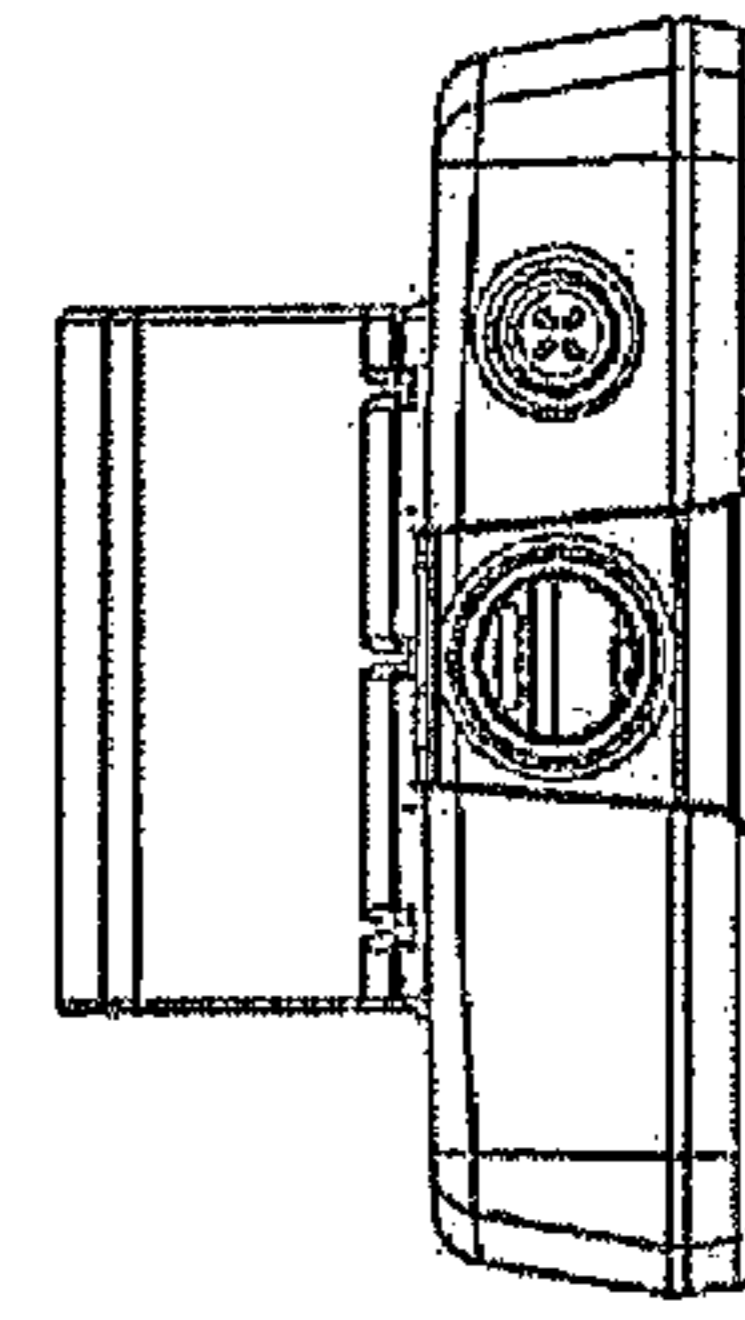


Fig. 24

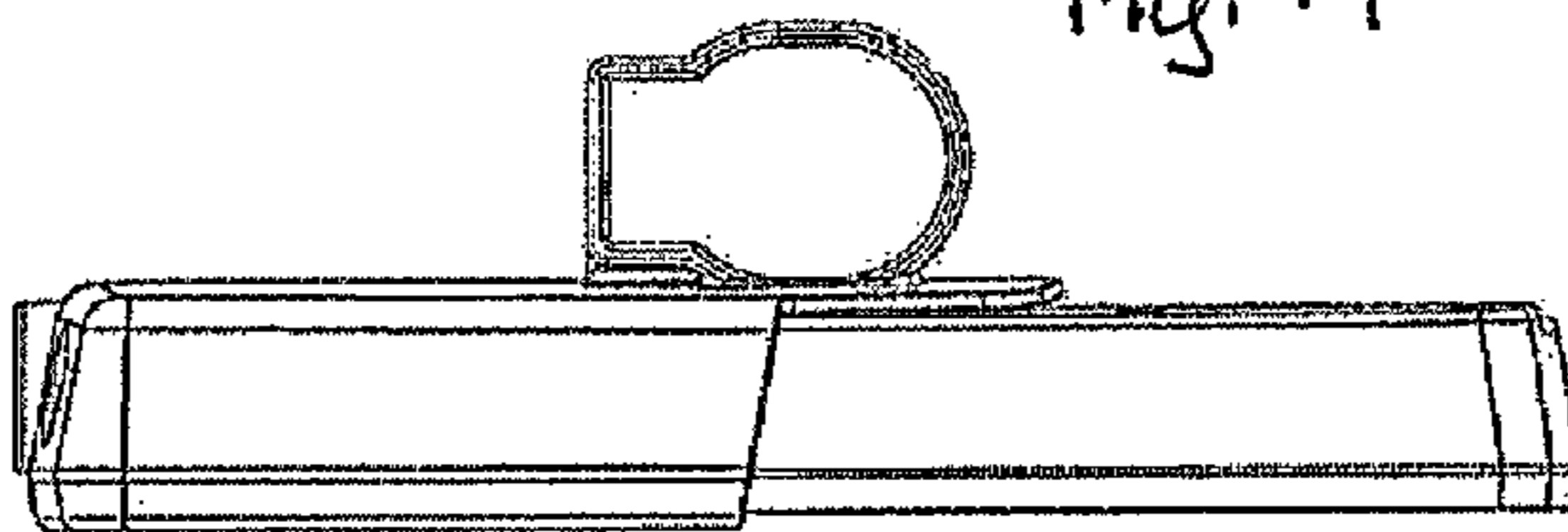


Fig. 21

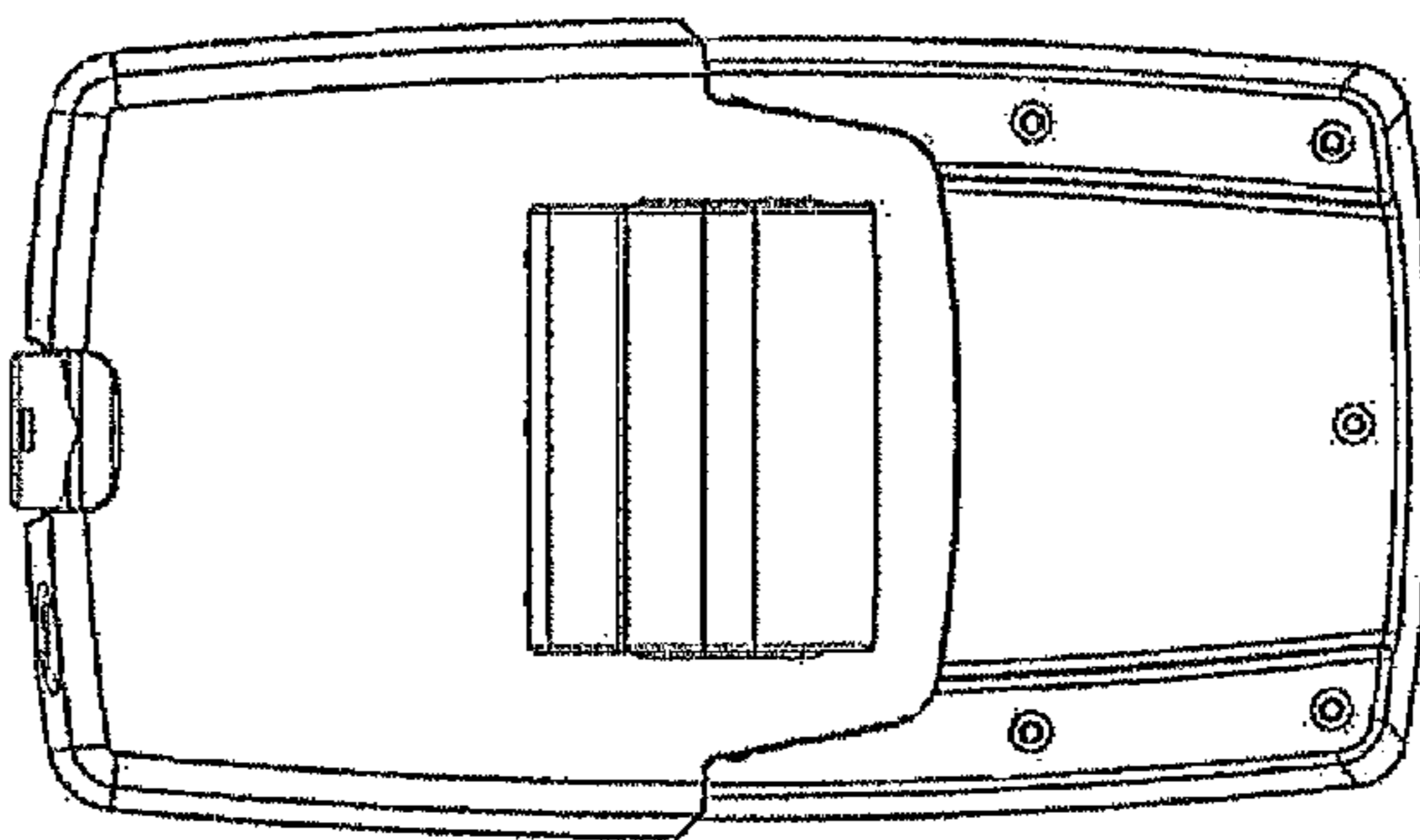


Fig. 20