

US00D691566S

(12) **United States Design Patent**  
**Hashimoto et al.**

(10) **Patent No.:** **US D691,566 S**  
(45) **Date of Patent:** **\*\* Oct. 15, 2013**

- (54) **POWER TRANSFER SWITCH**
- (75) Inventors: **Hidenobu Hashimoto**, Komaki (JP);  
**Kazutohi Ito**, Komaki (JP)
- (73) Assignee: **Aichi Electric Works Co., Ltd.**,  
Komaki-Shi (JP)
- (\*\*) Term: **14 Years**
- (21) Appl. No.: **29/417,868**
- (22) Filed: **Apr. 10, 2012**
- (51) **LOC (9) Cl.** ..... **13-03**
- (52) **U.S. Cl.**  
USPC ..... **D13/158**
- (58) **Field of Classification Search**  
USPC ..... D13/110, 123, 147, 151, 158-177, 184;  
200/5 R, 295, 308, 310, 313, 314, 329,  
200/340, 1 R, 6 R, 5 A, 296, 302.3, 315, 330,  
200/334, 339, 341, 520, 525, 553;  
335/131-133, 196, 202, 262, 251;  
439/491, 535  
See application file for complete search history.

6,919,518	B2 *	7/2005	Rademacher et al. ....	200/1 R
7,888,601	B2 *	2/2011	Bax et al. ....	174/252
D642,991	S *	8/2011	Mattlar et al. ....	D13/158
D653,624	S *	2/2012	Mattlar et al. ....	D13/158
D654,441	S *	2/2012	Mattlar et al. ....	D13/158
D654,878	S *	2/2012	Mattlar et al. ....	D13/158
D655,680	S *	3/2012	Mattlar et al. ....	D13/158
D679,663	S *	4/2013	Mattlar et al. ....	D13/158
2002/0157929	A1 *	10/2002	Schultz et al. ....	200/1 R
2004/0016627	A1 *	1/2004	Rademacher et al. ....	200/1 R

\* cited by examiner

*Primary Examiner* — Thomas Johannes

(74) *Attorney, Agent, or Firm* — Burr & Brown

(57) **CLAIM**

The ornamental design for a power transfer switch, as shown and described.

**DESCRIPTION**

FIG. 1 is front perspective view of a power transfer switch illustrating our new design;  
 FIG. 2 is a front view thereof;  
 FIG. 3 is a rear view thereof;  
 FIG. 4 is a left side view thereof;  
 FIG. 5 is a right side view thereof;  
 FIG. 6 is a top view thereof;  
 FIG. 7 is bottom view thereof; and,  
 FIG. 8 is a right perspective view thereof.  
 The broken line portion of the figure drawings is included to show unclaimed subject matter only and forms no part of the claimed design.

(56) **References Cited**  
 U.S. PATENT DOCUMENTS

D474,751	S *	5/2003	Yoshida et al. ....	D13/160
6,765,157	B2 *	7/2004	Rademacher et al. ....	200/1 R

**1 Claim, 8 Drawing Sheets**

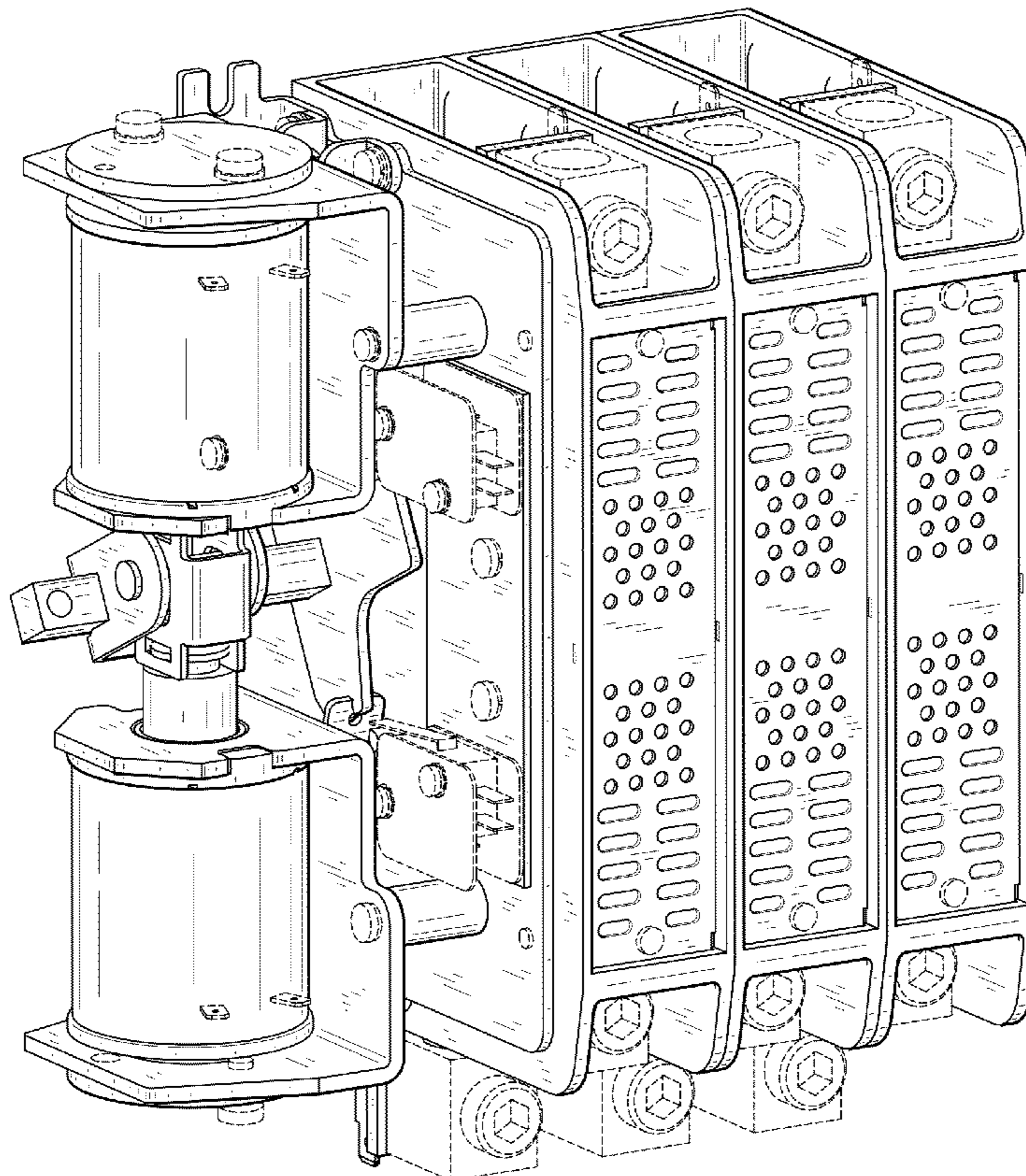




FIG. 1

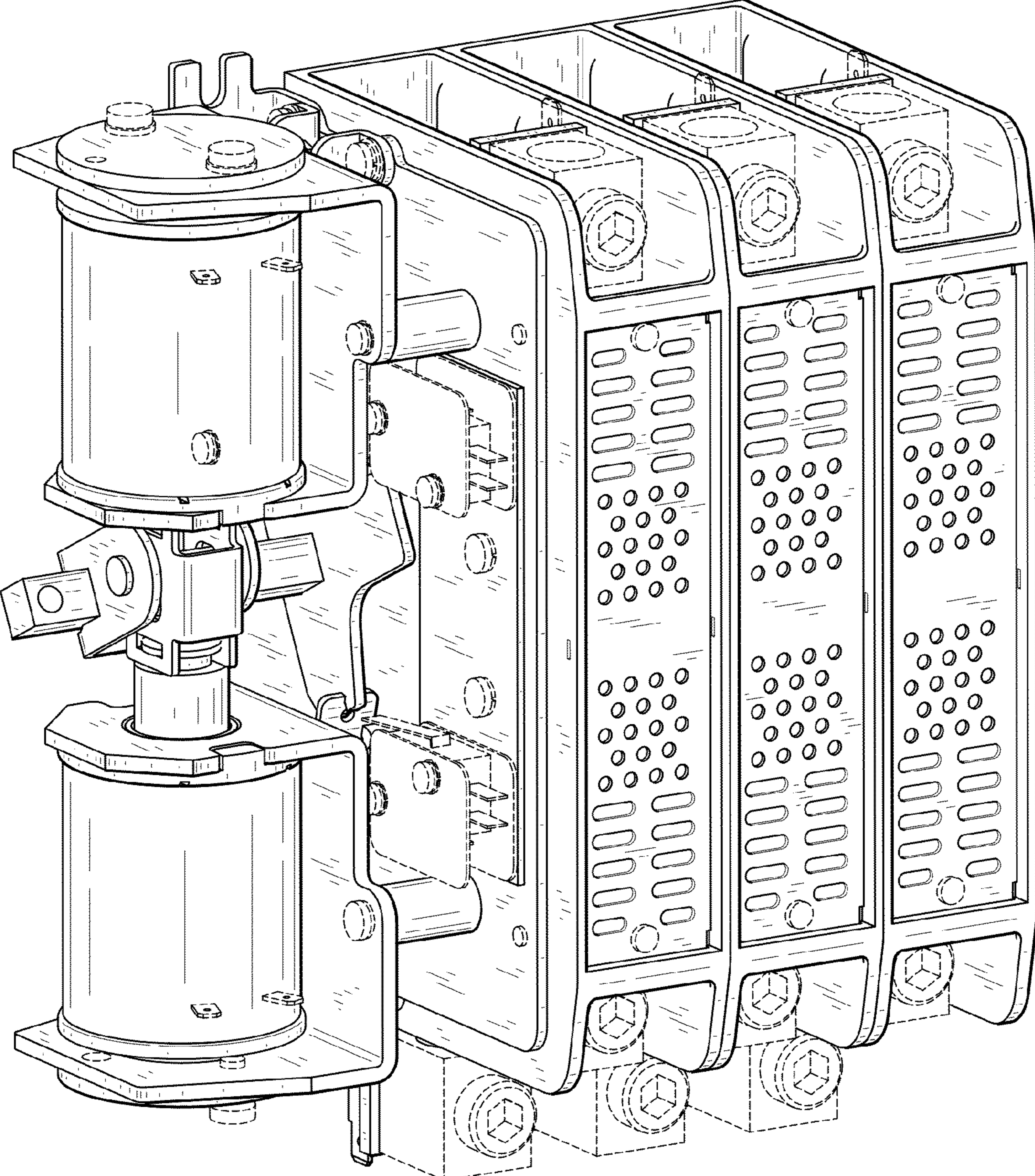


FIG. 2

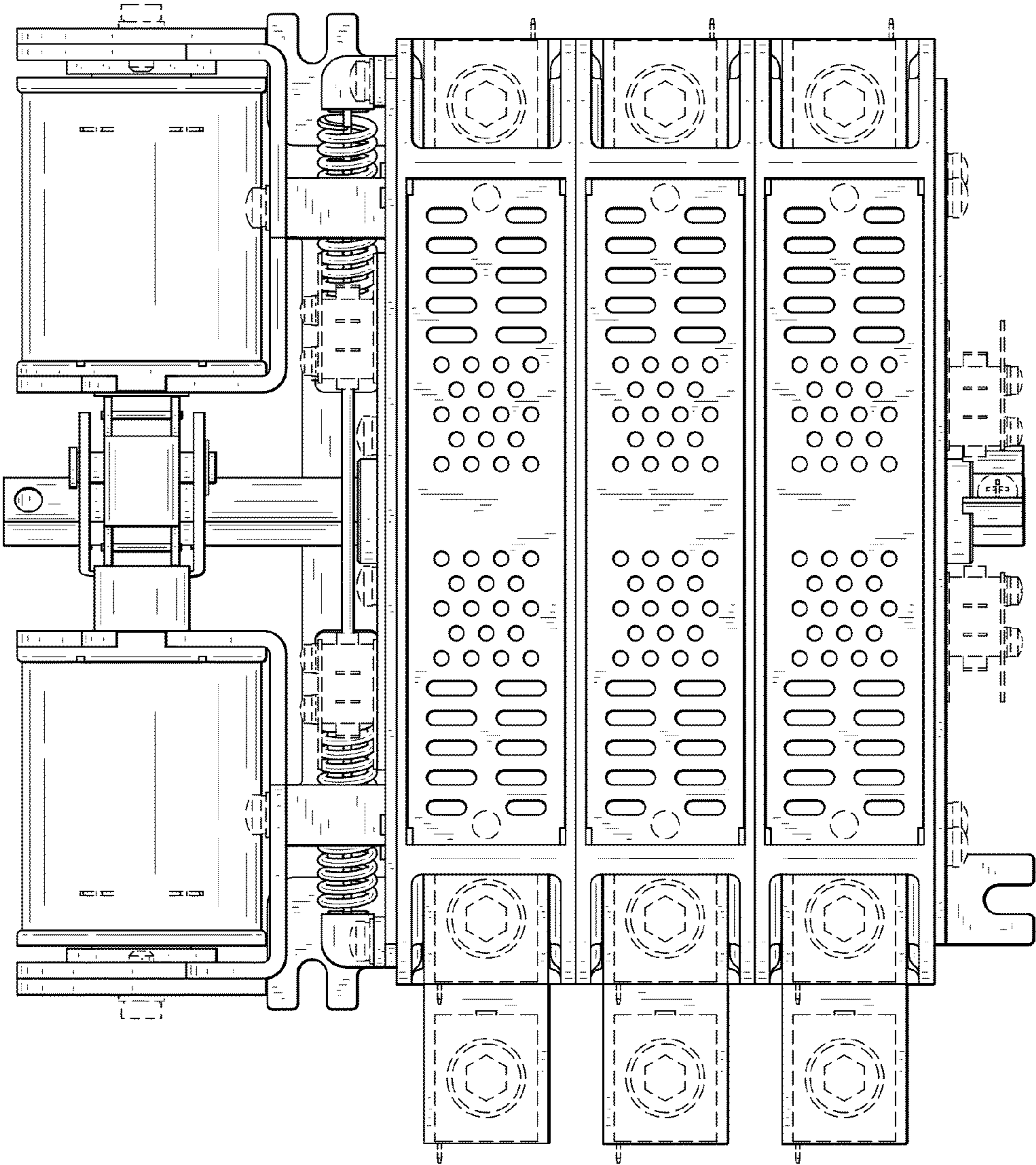




FIG. 3

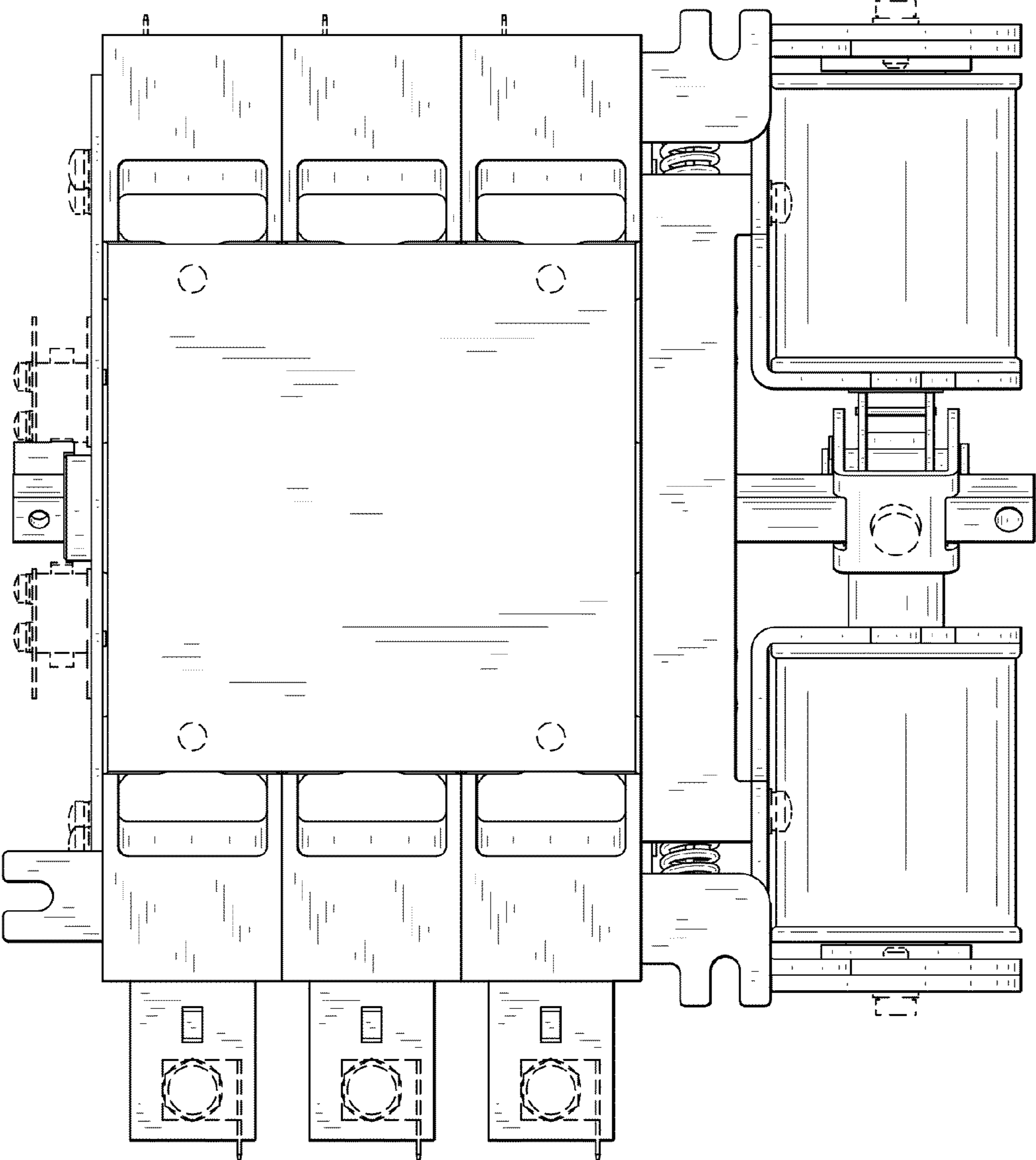


FIG. 4

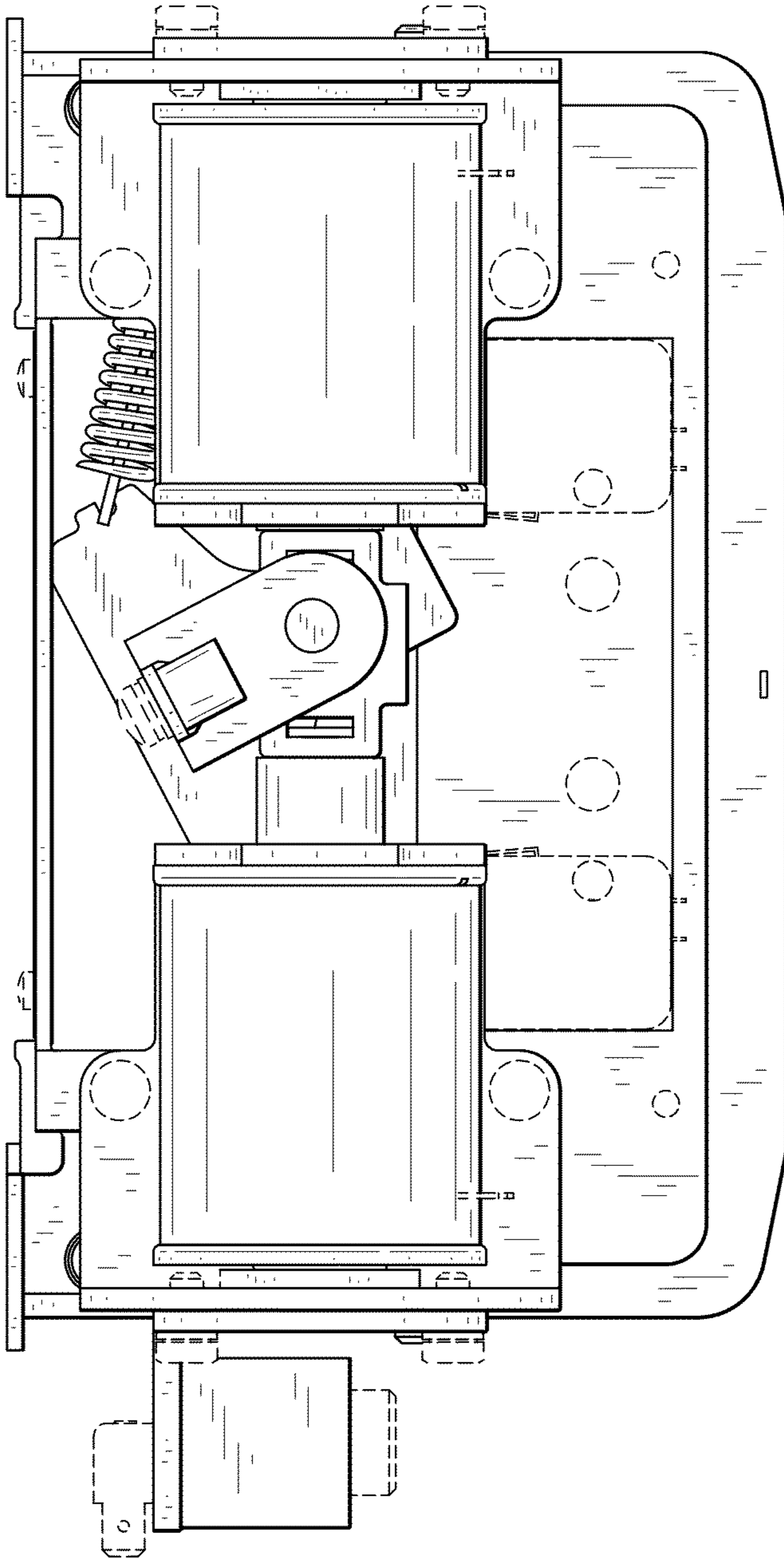


FIG. 5

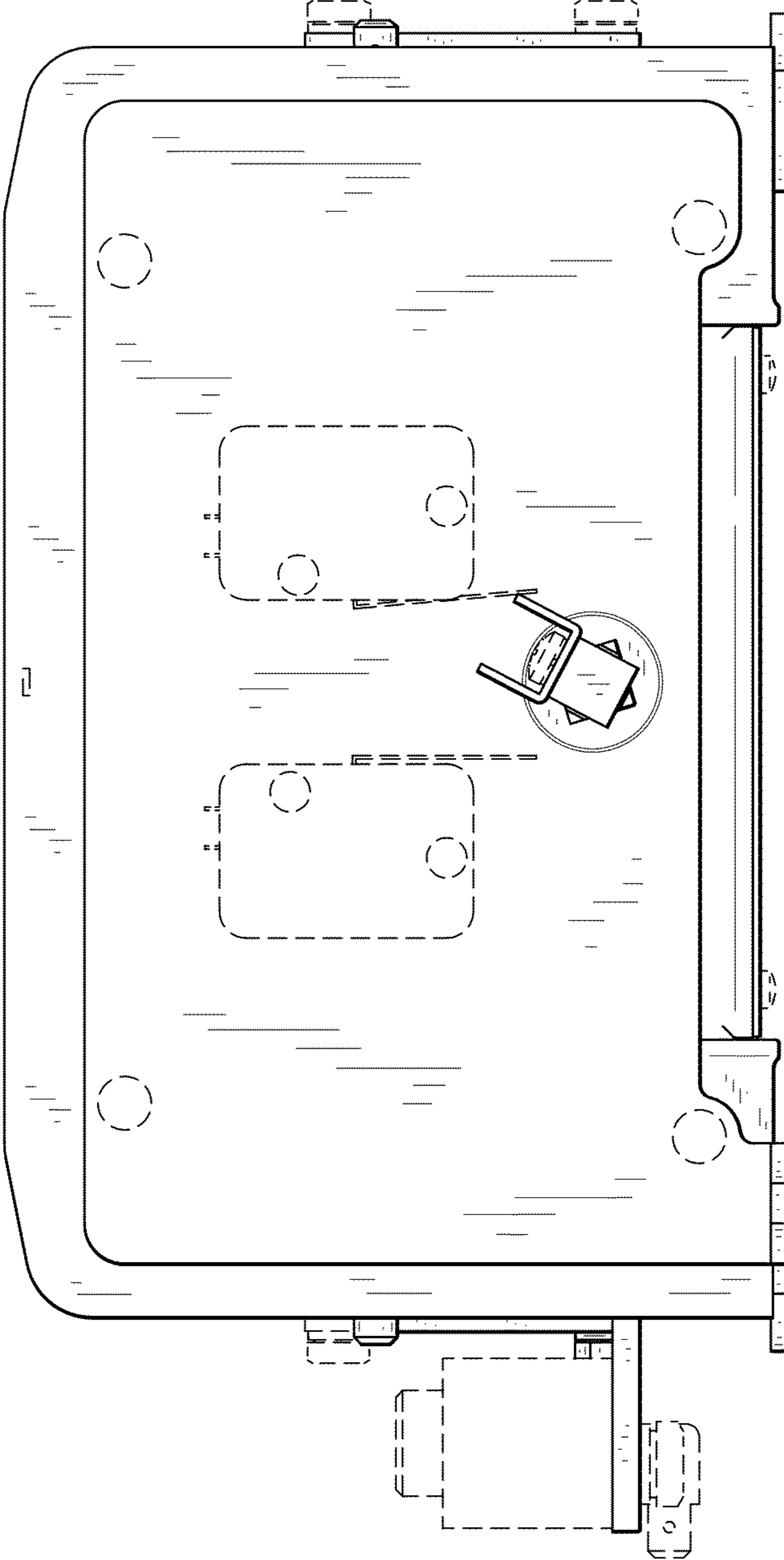


FIG. 6

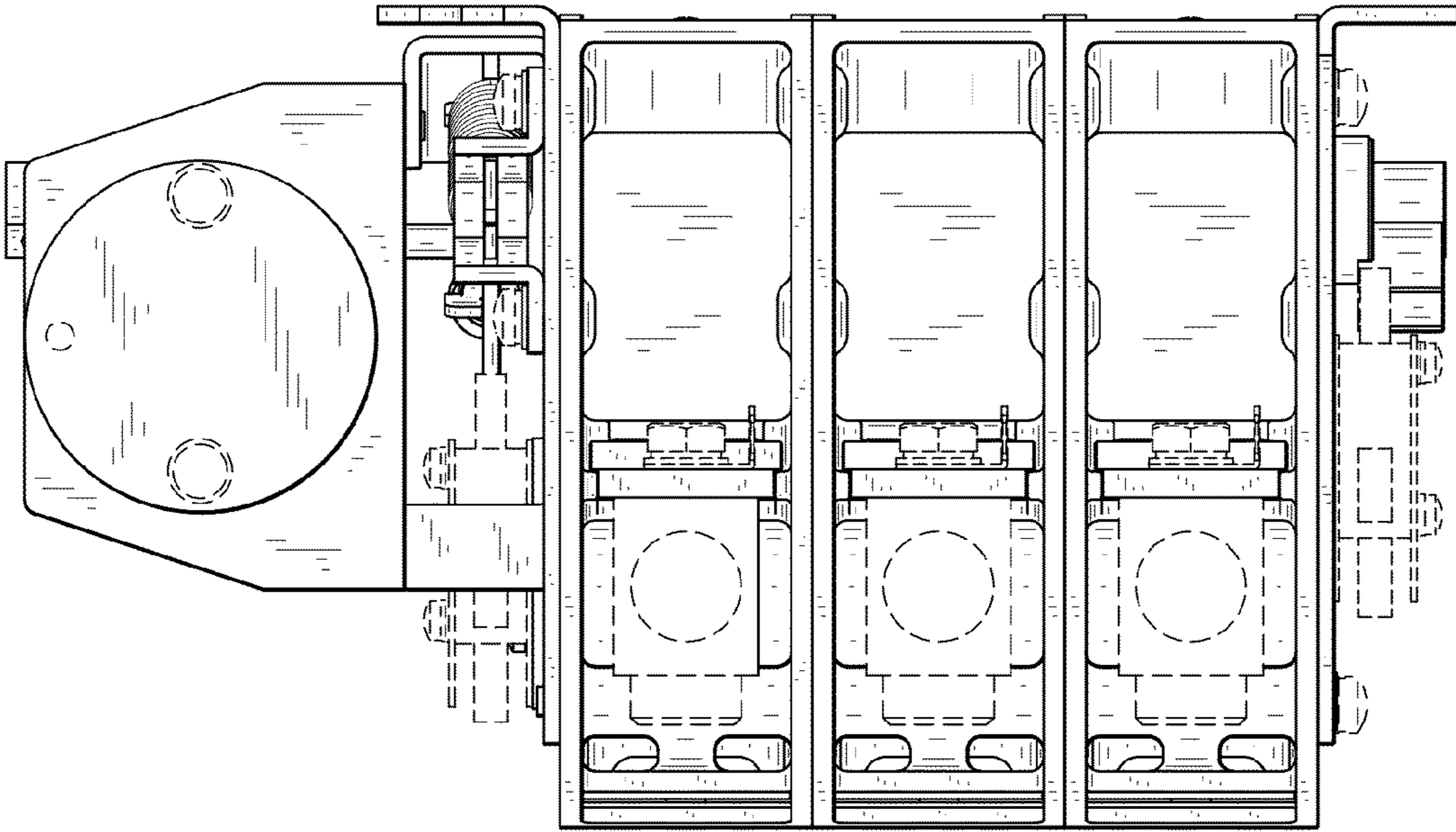


FIG. 7

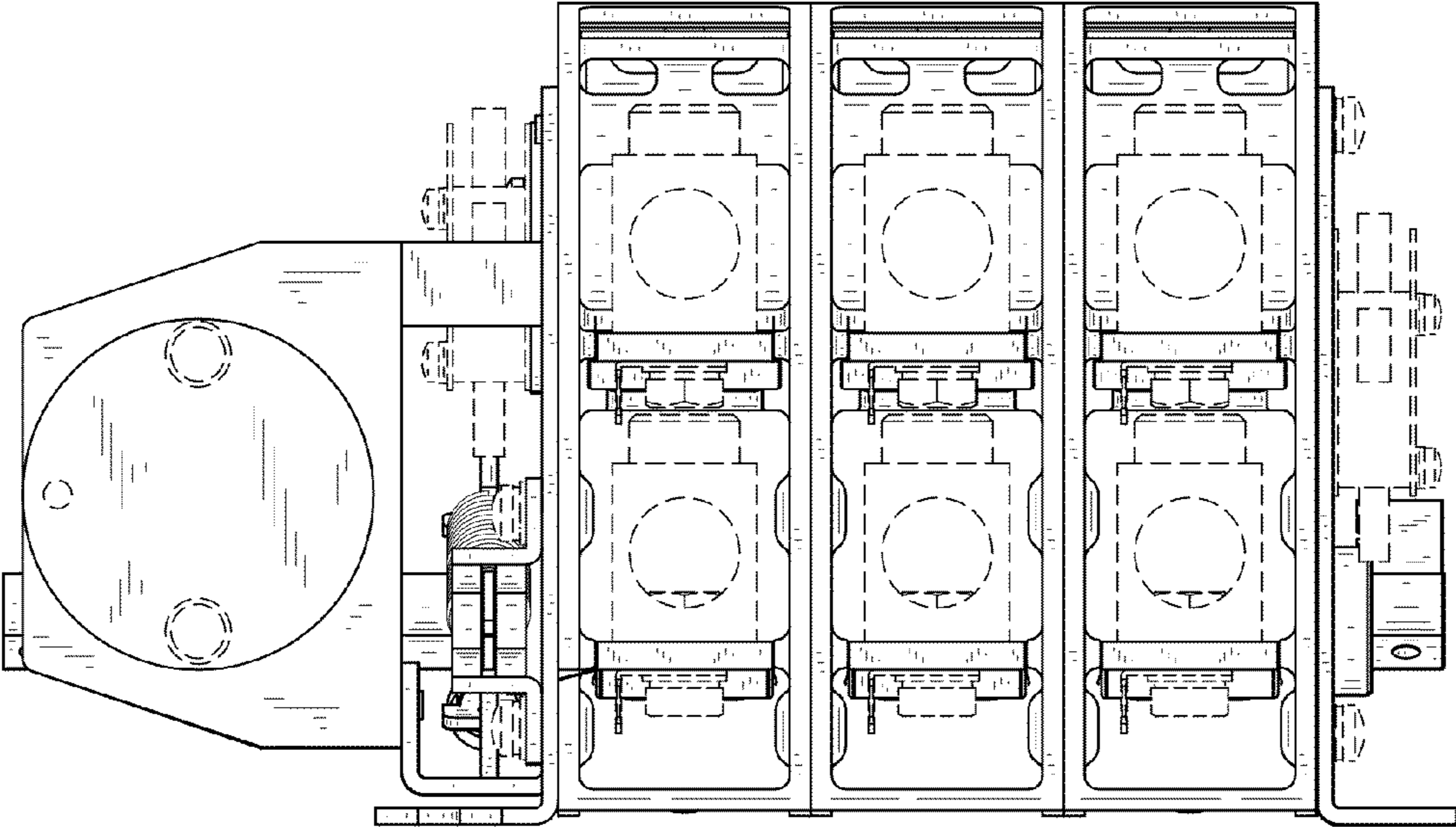
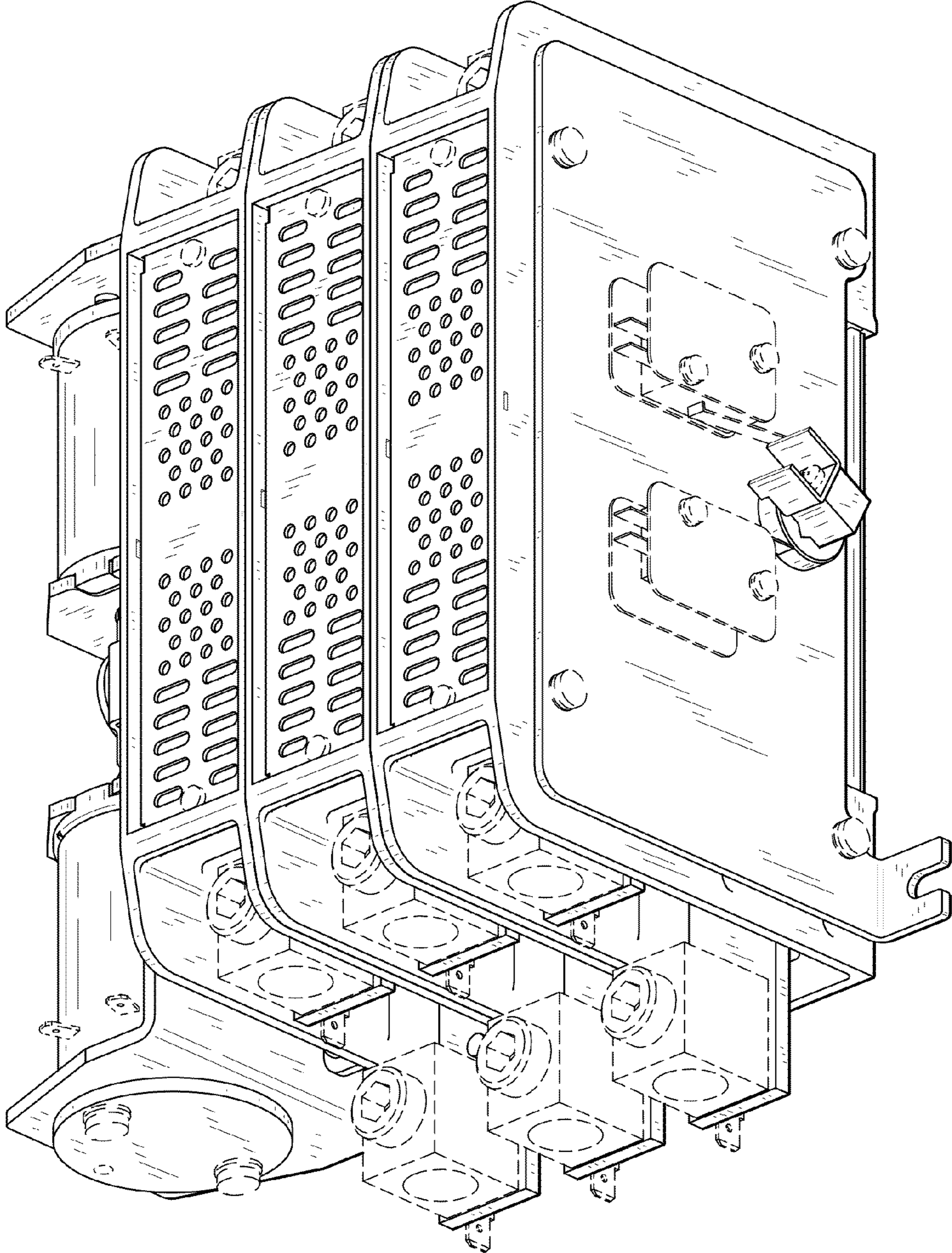




FIG. 8



UNITED STATES PATENT AND TRADEMARK OFFICE  
**CERTIFICATE OF CORRECTION**

PATENT NO. : D691,566 S  
APPLICATION NO. : 29/417868  
DATED : October 15, 2013  
INVENTOR(S) : Hidenobu Hashimoto et al.

Page 1 of 1

It is certified that error appears in the above-identified patent and that said Letters Patent is hereby corrected as shown below:

Title Page Item (75)

Second Inventor: Please change “Kazutohi Ito, Komaki (JP)” to -- Kazutoshi Ito,  
Komaki (JP) --

Signed and Sealed this  
Third Day of December, 2013



Margaret A. Focarino  
*Commissioner for Patents of the United States Patent and Trademark Office*