

US00D691565S

(12) **United States Design Patent**  
**Peltola et al.**

(10) **Patent No.:** **US D691,565 S**  
(45) **Date of Patent:** **\*\* Oct. 15, 2013**

(54) **SWITCH COVER**

(75) Inventors: **Wallace A. Peltola**, Sammamish, WA (US); **Jonathan Duncan**, Seattle, WA (US); **Jose Alberto Gámez**, Kirkland, WA (US); **Martin Jay Caspe-Detzer**, Seattle, WA (US); **Steven Karl Jahns**, Bellingham, WA (US); **Michael W. Shovlin**, Corinth, TX (US)

(73) Assignee: **PACCAR Inc**, Bellevue, WA (US)

(\*\*) Term: **14 Years**

(21) Appl. No.: **29/415,721**

(22) Filed: **Mar. 13, 2012**

(51) **LOC (9) Cl.** ..... **13-03**

(52) **U.S. Cl.**  
USPC ..... **D13/158; D13/177**

(58) **Field of Classification Search**  
USPC ..... D13/158, 162, 164, 168, 177, 184, 199;  
D14/388, 485-495; D12/192-195;  
D8/302, 315; 200/1 R, 5 R, 52 R, 81 R,  
200/81.4, 83, 83 Q, 315, 310, 6 A, 302.1,  
200/308, 314, 317, 520; 296/153;  
297/411.21; 307/10.1; 362/501, 23,  
362/276, 29, 464, 802, 85; D18/24-33;  
D19/6, 9, 10, 52; D20/11;  
D21/324-333; 715/700-867, 973-977;  
D10/85, 96; D23/233

See application file for complete search history.

(56) **References Cited**

**U.S. PATENT DOCUMENTS**

D360,876 S \* 8/1995 Hughes ..... D13/177  
D378,913 S \* 4/1997 Chambers et al. .... D13/156  
D379,176 S \* 5/1997 Chambers et al. .... D13/156  
D379,970 S \* 6/1997 Chambers et al. .... D13/156  
D411,826 S \* 7/1999 Lamar et al. .... D13/139.6

D432,503 S \* 10/2000 Taylor ..... D13/177  
D463,380 S \* 9/2002 Holloway et al. .... D13/167  
6,627,816 B1 \* 9/2003 Walker et al. .... 174/66  
D486,452 S \* 2/2004 Dinh ..... D13/156  
D512,692 S \* 12/2005 Beaton ..... D13/177  
D531,961 S \* 11/2006 Greenfield ..... D13/156  
D554,590 S \* 11/2007 Vasarhelyi et al. .... D13/152  
D556,145 S \* 11/2007 Williams et al. .... D13/152  
D569,754 S \* 5/2008 Kume ..... D10/104.1  
D615,048 S \* 5/2010 Grisby ..... D13/173  
D631,448 S \* 1/2011 Wang ..... D13/184  
D640,633 S \* 6/2011 Akahori ..... D13/139.4  
D656,102 S \* 3/2012 Chou ..... D13/162  
8,253,049 B2 \* 8/2012 Grisby ..... 200/330

**OTHER PUBLICATIONS**

“AeroCab,” Kenworth Truck Company, Kirkland, Washington, 1993, 5-page brochure.

(Continued)

*Primary Examiner* — Thomas Johannes

(74) *Attorney, Agent, or Firm* — Christensen O’Connor Johnson Kindness PLLC

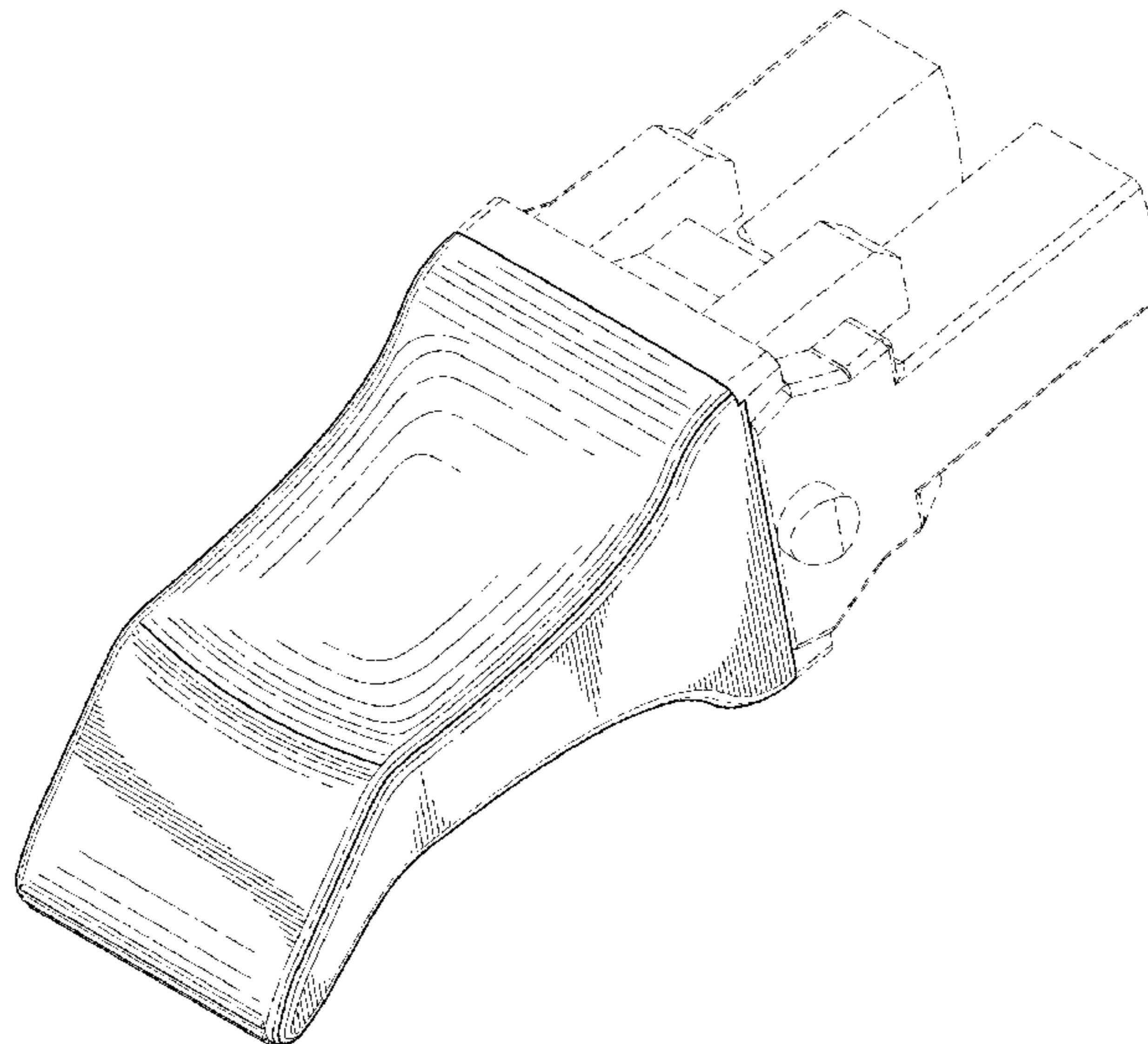
(57) **CLAIM**

The ornamental design for a switch cover, as shown and described.

**DESCRIPTION**

FIG. 1 is an environmental perspective view of a switch cover according to our new design;  
FIG. 2 is a perspective view of the switch cover of FIG. 1 shown in isolation from a portion of the environment shown in phantom in FIG. 1;  
FIG. 3 is a top plan view thereof;  
FIG. 4 is a bottom plan view thereof;  
FIG. 5 is a front elevational view thereof;  
FIG. 6 is a rear elevational view thereof;  
FIG. 7 is a left side elevational view thereof; and,  
FIG. 8 is a right side elevational view thereof.

**1 Claim, 5 Drawing Sheets**





(56)

**References Cited**

## OTHER PUBLICATIONS

“AeroCab,” Kenworth Truck Company, Kirkland, Washington, as early as 1995, 3-page brochure.

“AG130 Front Air Suspension,” Kenworth Truck Company, Kirkland, Washington, 2008, 2-page brochure.

“C500B,” Kenworth Truck Company, Kirkland, Washington, as early as 1990, 4-page brochure.

“Cabovers,” Peterbilt Motors Company, Newark, California, as early as 2000, 7-page brochure.

“Class Pays, Construction Trucks,” Peterbilt Motors Company, Denton, Texas, Nov. 2003, 16-page brochure.

“Class Pays, Ergonomic Dash,” Peterbilt Motors Company, Denton, Texas, Mar. 2000, 2-page brochure.

“Class Pays, Medium Duty,” Peterbilt Motors Company, Denton, Texas, Sep. 2000, 12-page brochure.

“Class Pays, Platinum Interior,” Peterbilt Motors Company, Denton, Texas, May 2005, 4-page brochure.

“Class Pays, Refuse Trucks,” Peterbilt Motors Company, Denton, Texas, Sep. 2003, 2-page brochure.

“Class Pays, Truck Models,” Peterbilt Motors Company, Denton, Texas, Mar. 2005, 24-page brochure.

“Class Pays,” Peterbilt Motors Company, Denton, Texas, Nov. 1998, 10-page brochure.

“Class Pays,” Peterbilt Motors Company, Denton, Texas, Sep. 1997, 10-page brochure.

“Construction Trucks,” Canadian Kenworth Truck, Mississauga, Ontario, Canada, Jul. 1990, 16-page brochure.

“Interiors,” Kenworth Truck Company, Kirkland, Washington, 2005, 16-page brochure.

“Kenworth Truck Models,” Kenworth Truck Company, Kirkland, Washington, 2010, 16-page brochure.

“K100E,” Kenworth Truck Company, Kirkland, Washington, 1984, 8-page brochure.

“Model 320,” Peterbilt Motors Company, Denton, Texas, May 1996, 2-page brochure.

“Model 330,” Peterbilt Motors Company, Denton, Texas, Oct. 1997, 3-page brochure.

“Model 357 Heavy Haul,” Peterbilt Motors Company, Denton, Texas, Mar. 2005, 2-page brochure.

“Model 357 Standard Specifications,” Peterbilt Motors Company, Newark, California, Sep. 1986, 6-page brochure.

“Model 357, New Sloped Hood,” Peterbilt Motors Company, Denton, Texas, May 2002, 2-page brochure.

“Model 357,” Peterbilt Motors Company, Denton, Texas, May 1994, 3-page brochure.

“Model 357-115,” Peterbilt Motors Company, Denton, Texas, Mar. 2005, 2-page brochure.

“Model 362,” Peterbilt Motors Company, Newark, California, 1985, 8-page brochure.

“Model 375 Standard Specifications,” Peterbilt Motors Company, Newark, California, Sep. 1986, 6-page brochure.

“Model 377A/E,” Peterbilt Motors Company, Denton, Texas, Aug. 1997, 2-page brochure.

“Model 377A/E,” Peterbilt Motors Company, Denton, Texas, Jan. 1995, 6-page brochure.

“Model 378,” Peterbilt Motors Company, Denton, Texas, Mar. 1998, 3-page brochure.

“Model 379,” Peterbilt Motors Company, Denton, Texas, Apr. 2005, 2-page brochure.

“Model 379,” Peterbilt Motors Company, Denton, Texas, Mar. 1996, 5-page brochure.

“Model 385,” Peterbilt Motors Company, Denton, Texas, Oct. 1996, 5-page brochure.

“Model 387,” Peterbilt Motors Company, Denton, Texas, Oct. 2002, 2-page brochure.

“PACCAR Engines, 2010 Medium Duty Engines,” PACCAR Inc, Bellevue, Washington, 2010, 6-page brochure.

“PACCAR MX,” PACCAR Inc, Bellevue, Washington, 2010, 4-page brochure.

“Peterbilt Parts & Accessories,” Peterbilt Motors Company, Denton, Texas, catalog, as early as 2000, 52-page brochure.

“Rest with Class,” Peterbilt Motors Company, Newark, California, Apr. 1978, 4-page brochure.

“Studio Sleeper,” Kenworth Truck Company, Kirkland, Washington, 1993, 5-page brochure.

“T170 Class 5,” Kenworth Truck Company, Kirkland, Washington, 2008, 4-page brochure.

“T2000,” Kenworth Truck Company, Kirkland, Washington, 1999, 20-page brochure.

“T2000,” Kenworth Truck Company, Kirkland, Washington, 2002, 20-page brochure.

“T2000,” Kenworth Truck Company, Kirkland, Washington, 2005, 20-page brochure.

“T270 Class 6 and T370 Class 7,” Kenworth Truck Company, Kirkland, Washington, 2008, 6-page brochure.

“T270 Class 6 and T370 Class 7,” Kenworth Truck Company, Kirkland, Washington, 2009, 6-page brochure.

“T270 Class 6 and T370 Class 7 Hybrid,” Kenworth Truck Company, Kirkland, Washington, 2009, 6-page brochure.

“T300,” Kenworth Truck Company, Kirkland, Washington, 1994, 4-page brochure.

“T300,” Kenworth Truck Company, Kirkland, Washington, 1997, 5-page brochure.

“T300,” Kenworth Truck Company, Kirkland, Washington, 2001, 16-page brochure.

“T300,” Kenworth Truck Company, Kirkland, Washington, 2005, 16-page brochure.

“T400B and T450B,” Kenworth Truck Company, Kirkland, Washington, 1992, 10-page brochure.

“T440,” Kenworth Truck Company, Kirkland, Washington, 2010, 2-page brochure.

“T440,” Kenworth Truck Company, Kirkland, Washington, 2010, 6-page brochure.

“T470,” Kenworth Truck Company, Kirkland, Washington, 2010, 6-page brochure.

“T470H,” Kenworth Truck Company, Kirkland, Washington, 2009, 2-page brochure.

“T600, Ten Years of Innovation,” Kenworth Truck Company, Kirkland, Washington, 1995, 6-page brochure.

“T600,” Kenworth Truck Company, Kirkland, Washington, 1996, 7-page brochure.

“T600,” Kenworth Truck Company, Kirkland, Washington, 2002, 28-page brochure.

“T600,” Kenworth Truck Company, Kirkland, Washington, 2005, 24-page brochure.

“T600A,” Kenworth Truck Company, Kirkland, Washington, 1985, 10-page brochure.

“1660,” Kenworth Truck Company, Kirkland, Washington, 2007, 36-page brochure.

“T660,” Kenworth Truck Company, Kirkland, Washington, 2009, 36-page brochure.

“T700,” Kenworth Truck Company, Kirkland, Washington, 2010, 6-page brochure.

“T800,” Kenworth Truck Company, Kirkland, Washington, 1996, 7-page brochure.

“T800,” Kenworth Truck Company, Kirkland, Washington, 2002, 32-page brochure.

“T800,” Kenworth Truck Company, Kirkland, Washington, 2003, 32-page brochure.

“T800,” Kenworth Truck Company, Kirkland, Washington, 2005, 28-page brochure.

“T800,” Kenworth Truck Company, Kirkland, Washington, 2009, 28-page brochure.

“T800B,” Kenworth Truck Company, Kirkland, Washington, 1993, 8-page brochure.

“The Working Class,” Peterbilt Motors Company, Newark, California, Sep. 1976, 6-page brochure.

“The World’s Best,” Kenworth Truck Company, Kirkland, Washington, 1992, 12-page brochure.

“Unibilt™ Cab Sleeper System,” Peterbilt Motors Company, Denton, Texas, Aug. 1994, 6-page brochure.

(56)

**References Cited**

OTHER PUBLICATIONS

“W900,” Kenworth Truck Company, Kirkland, Washington, 1996, 7-page brochure.

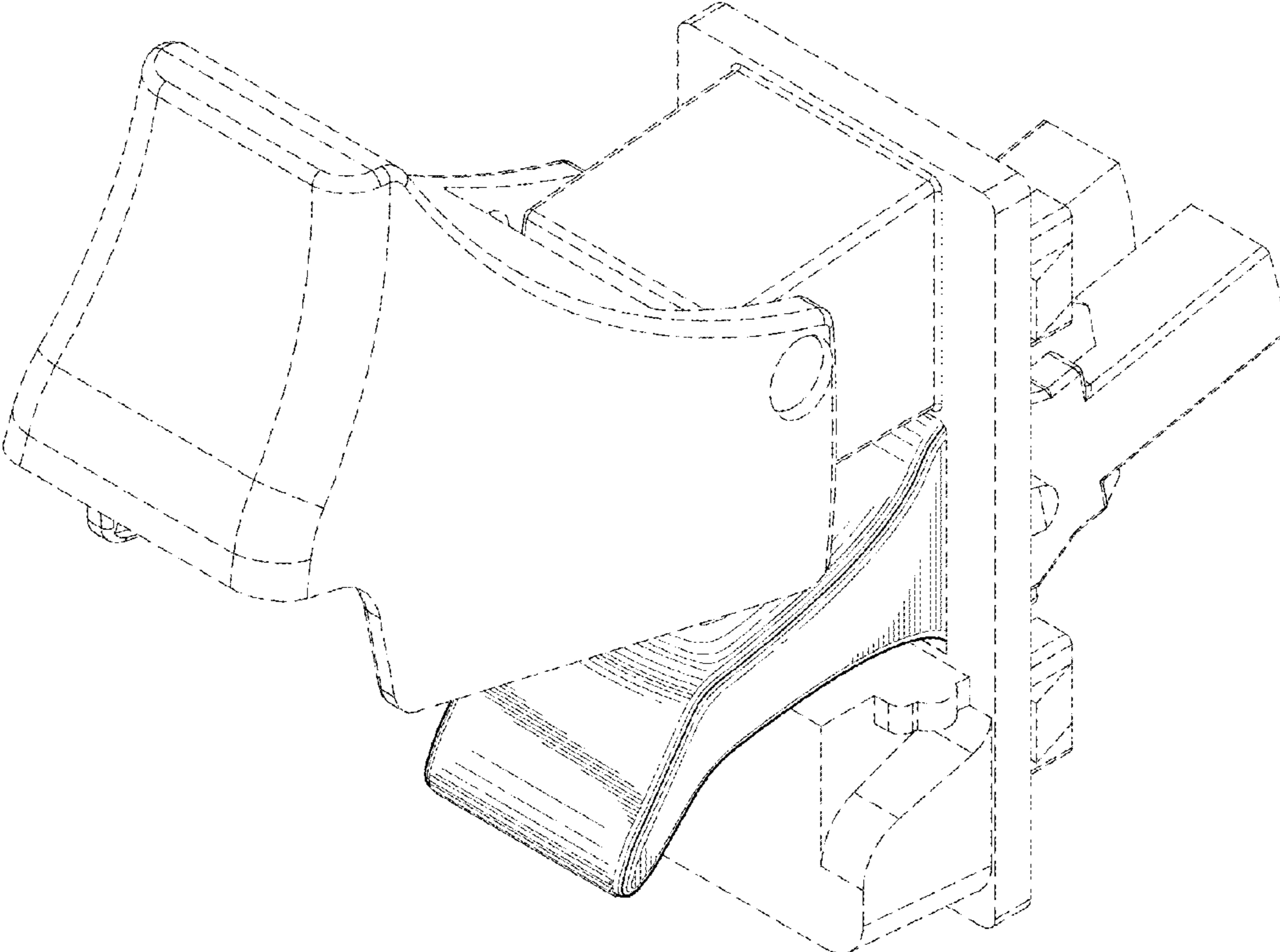
“W900,” Kenworth Truck Company, Kirkland, Washington, 2002, 32-page brochure.

“W900,” Kenworth Truck Company, Kirkland, Washington, 2005, 28-page brochure.

“W900,” Kenworth Truck Company, Kirkland, Washington, 2009, 28-page brochure.

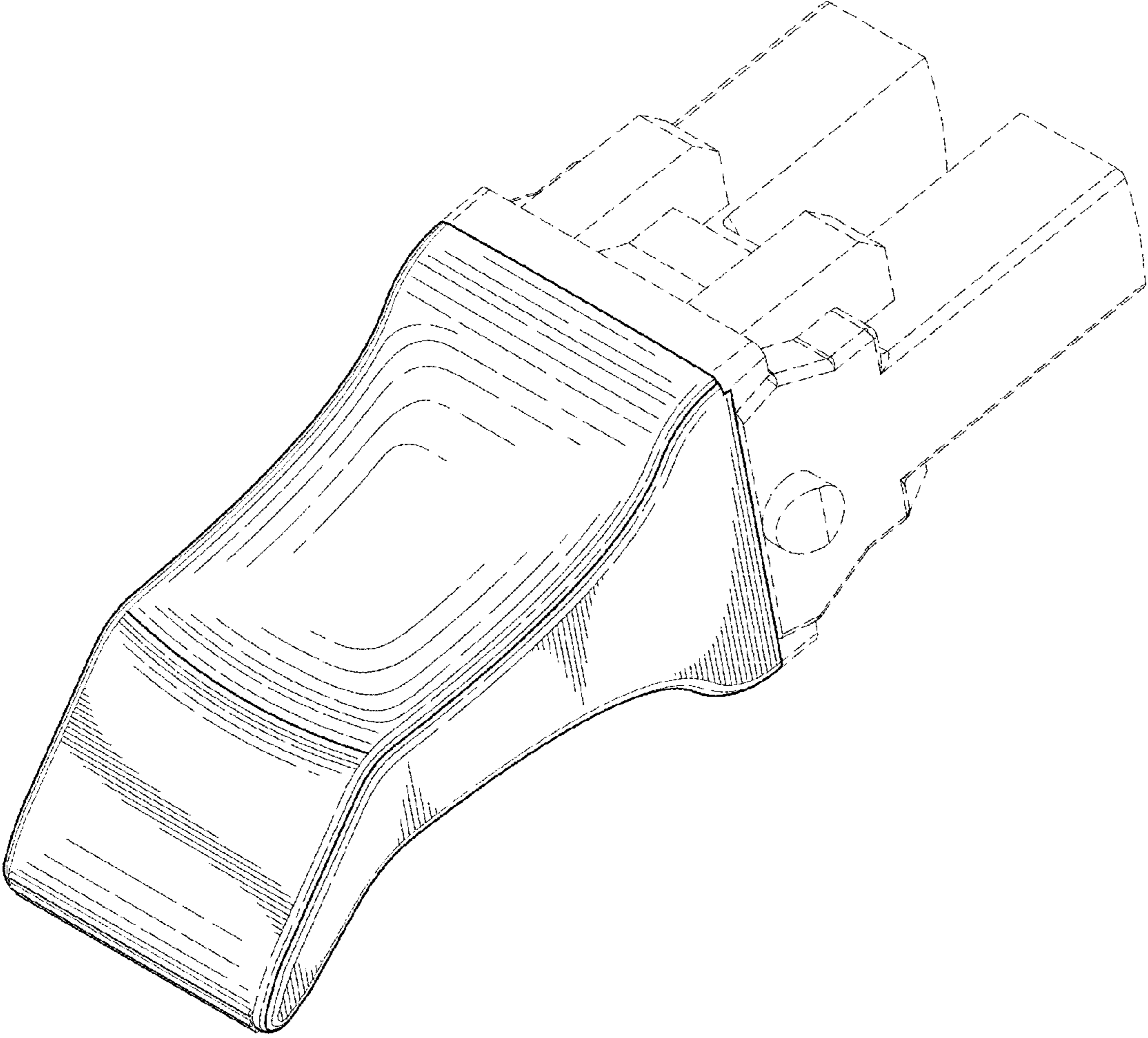
“W900L Aero Cab,” Kenworth Truck Company, Kirkland, Washington, 1994, 2-page brochure.

\* cited by examiner

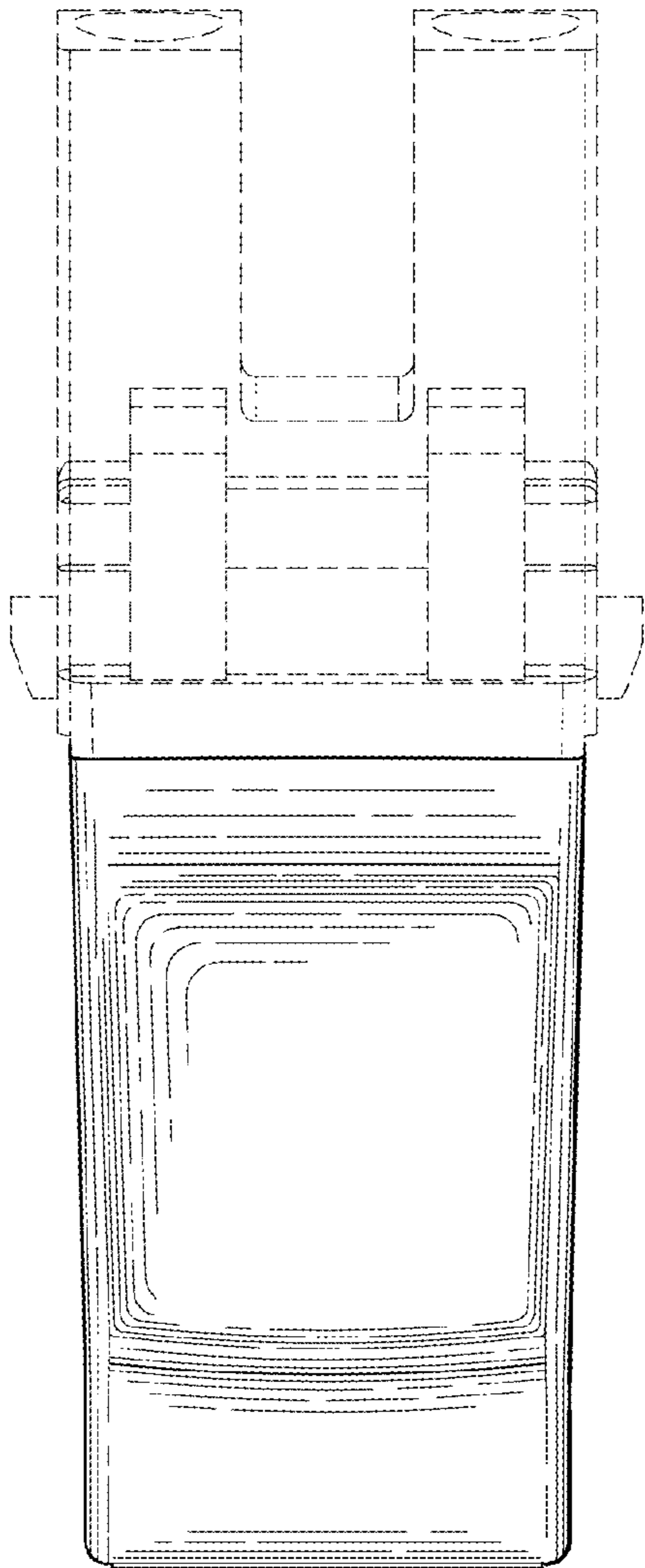


*Fig. 1.*

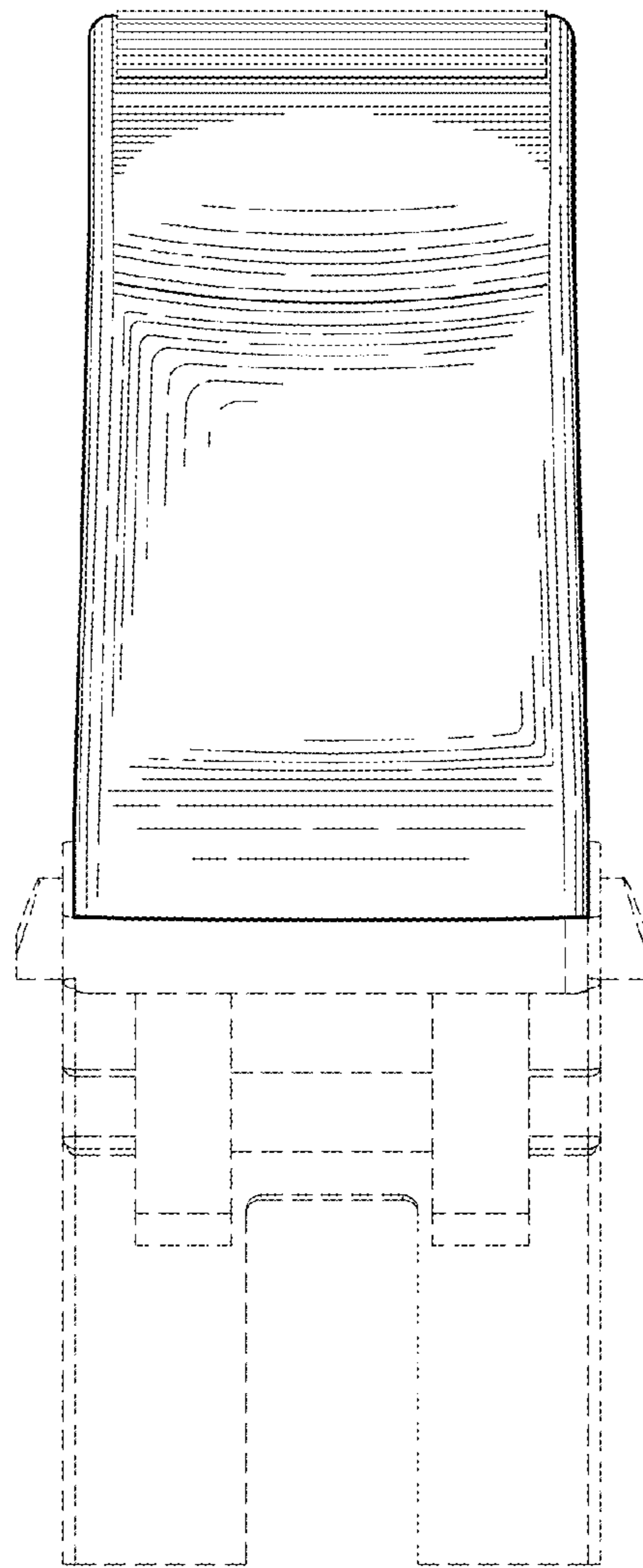




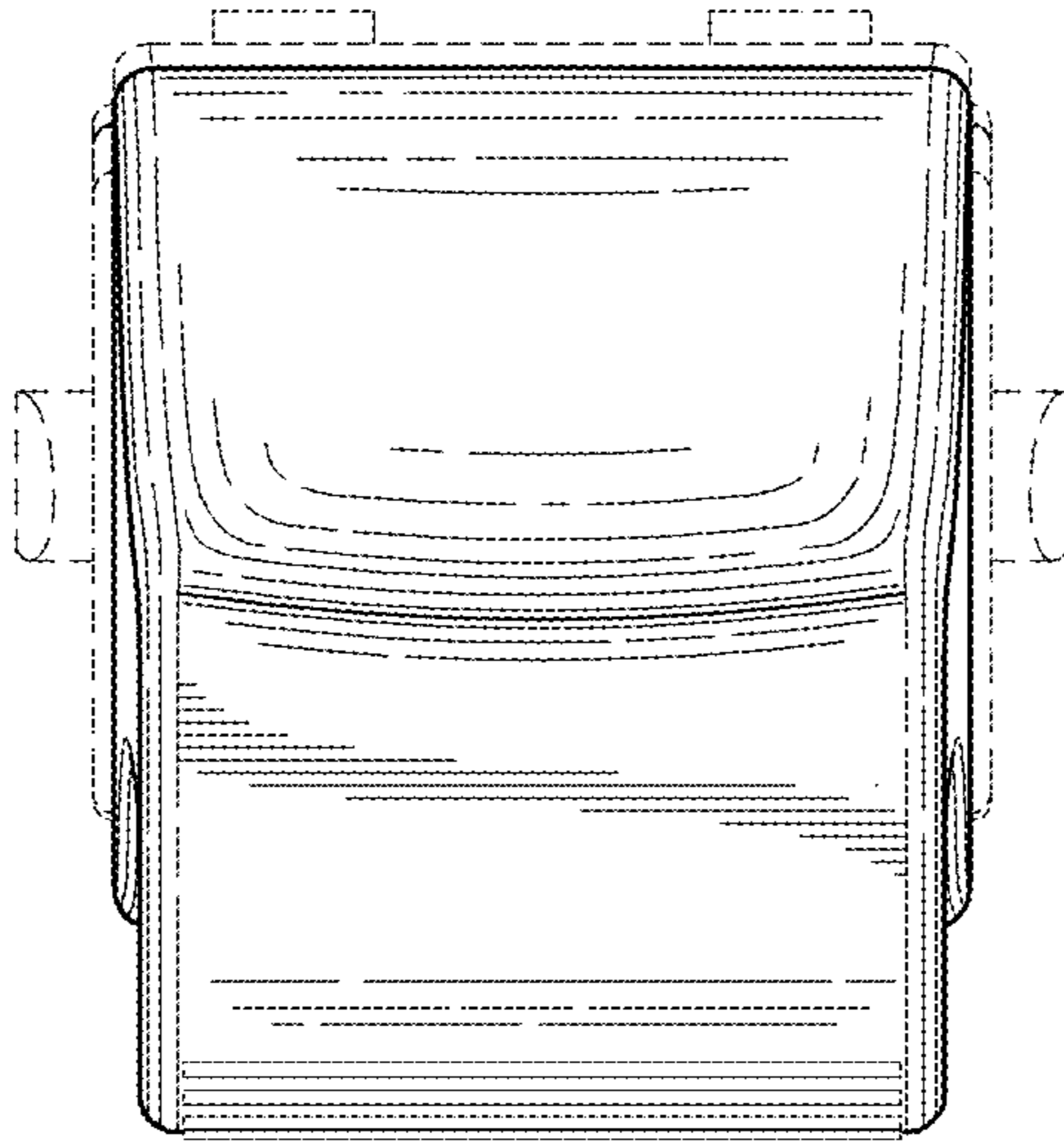
*Fig. 2.*



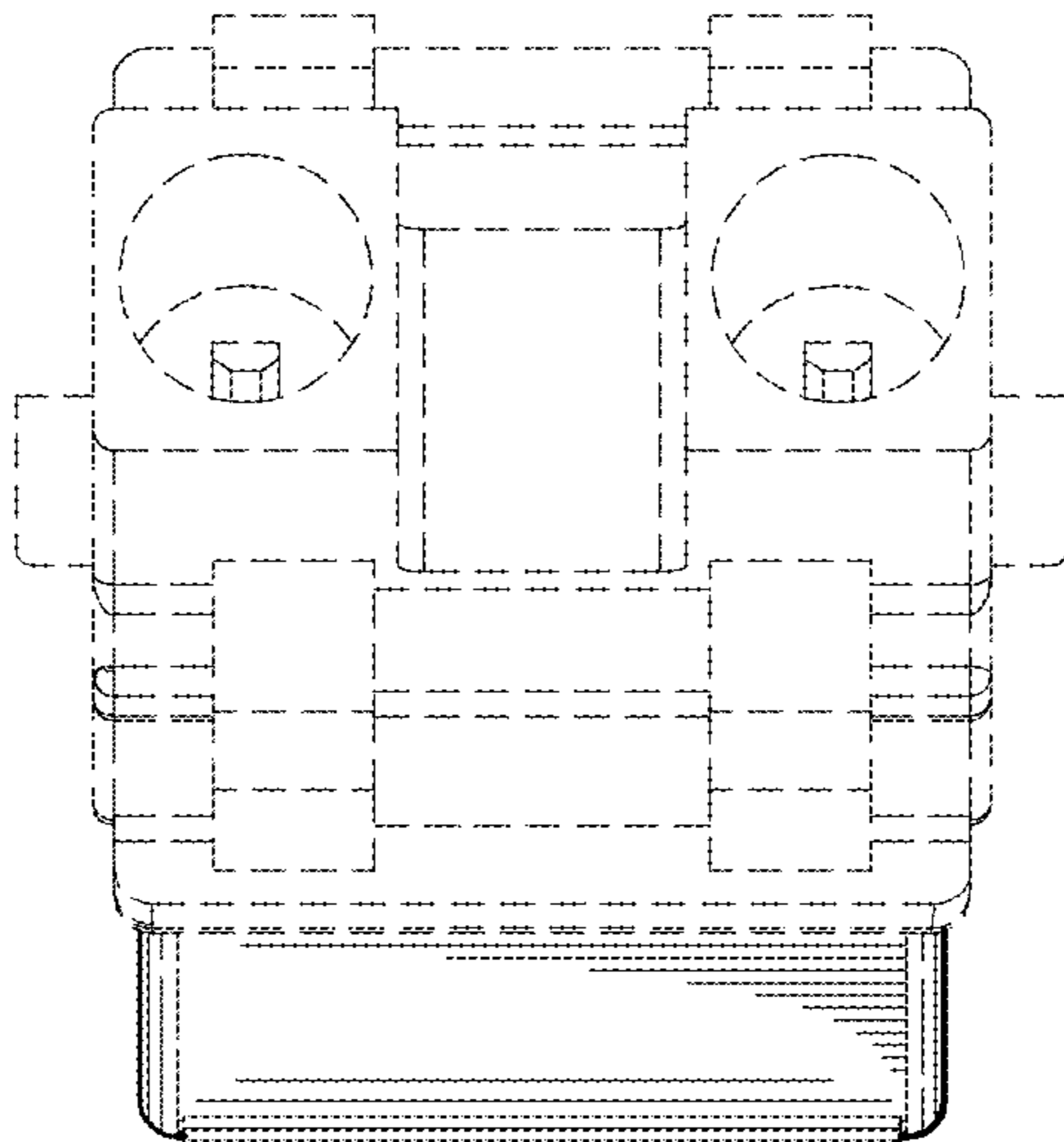
*Fig. 3.*



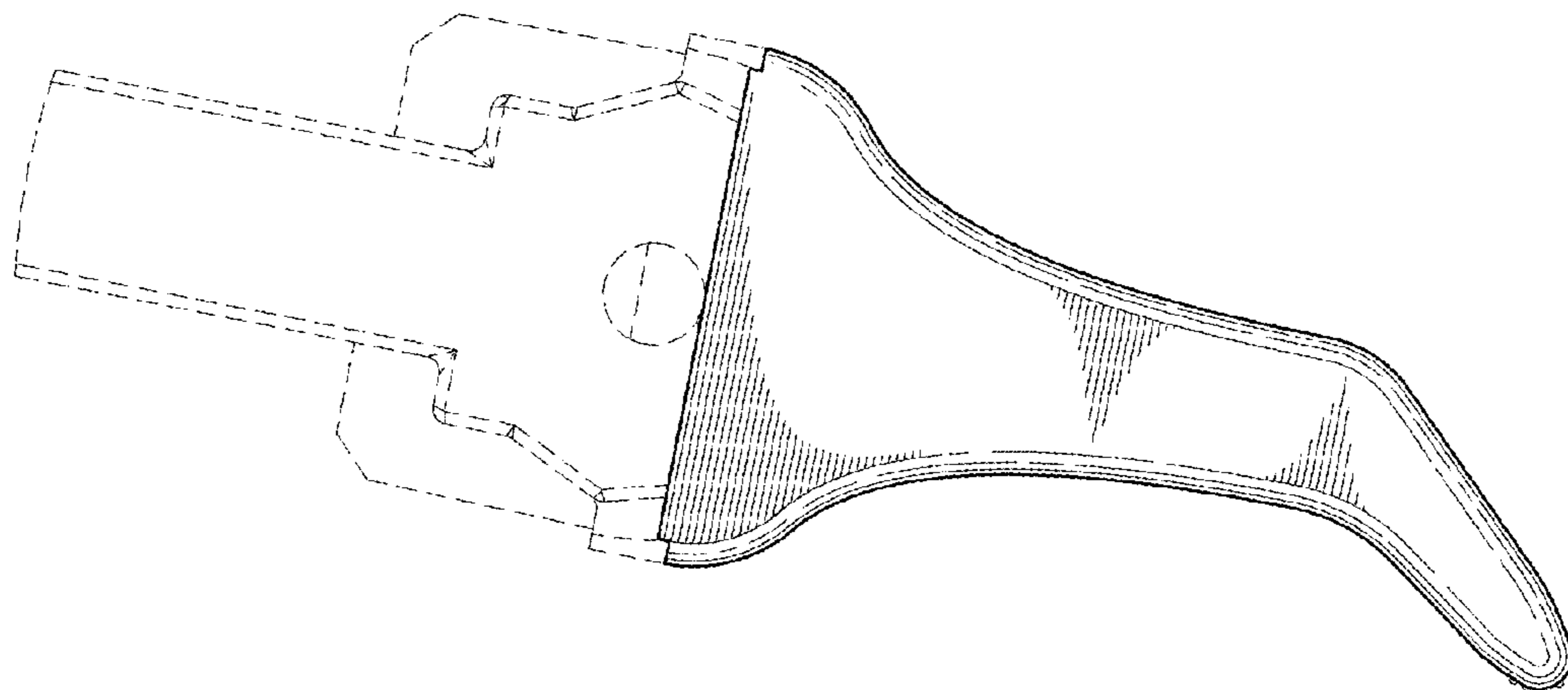
*Fig. 4.*



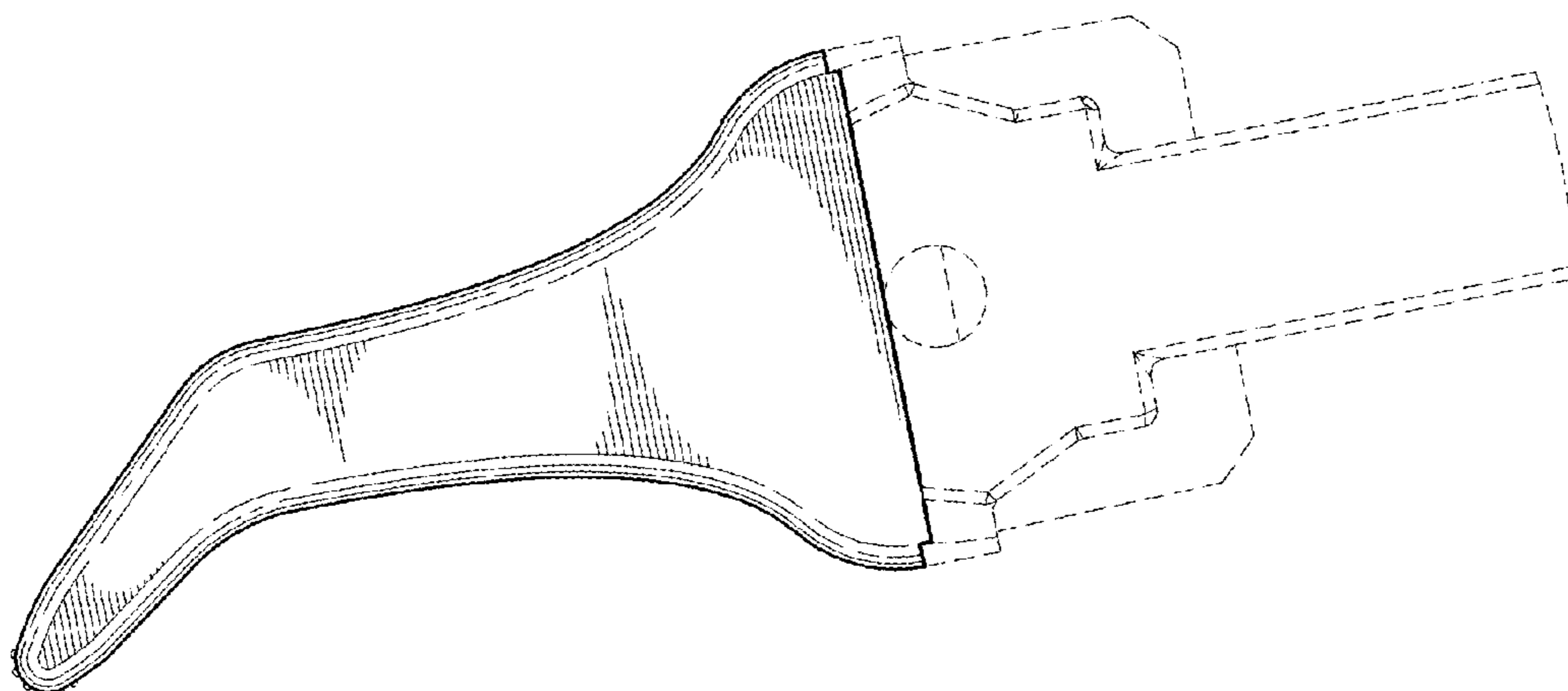
*Fig. 5.*



*Fig. 6.*



*Fig. 7.*



*Fig. 8.*