



US00D691562S

(12) **United States Design Patent**
Suzuki et al.

(10) **Patent No.:** **US D691,562 S**

(45) **Date of Patent:** **** Oct. 15, 2013**

(54) **ELECTRICAL CONNECTOR**

(75) Inventors: **Toshikazu Suzuki**, Tokyo (JP); **Naoki Kadowaki**, Tokyo (JP); **Yusuke Inoue**, Tokyo (JP)

(73) Assignee: **Japan Aviation Electronics Industry, Limited**, Tokyo (JP)

(**) Term: **14 Years**

(21) Appl. No.: **29/423,755**

(22) Filed: **Jun. 5, 2012**

(30) **Foreign Application Priority Data**

Dec. 14, 2011 (JP) 2011-029049

(51) **LOC (9) Cl.** **13-03**

(52) **U.S. Cl.**
USPC **D13/146**

(58) **Field of Classification Search**
USPC D13/133, 146, 147, 154, 184; 439/79,
439/83, 557, 607.01, 607.04, 607.05,
439/607.17, 607.25, 607.34, 607.41,
439/607.53, 660
See application file for complete search history.

(56) **References Cited**

U.S. PATENT DOCUMENTS

4,679,013 A * 7/1987 Farrar et al. 333/182
D333,293 S * 2/1993 Ashida D13/147

D364,459 S * 11/1995 Dye D24/129
D373,192 S * 8/1996 Murphy et al. D24/129
D379,969 S * 6/1997 Tan D13/147
D451,476 S * 12/2001 Wang et al. D13/147
D460,945 S * 7/2002 Wang D13/147
D468,266 S * 1/2003 Huang D13/147
D558,679 S * 1/2008 Chen et al. D13/154
D558,680 S * 1/2008 Chen et al. D13/154
D561,109 S * 2/2008 Howerton et al. D13/147
D647,854 S 11/2011 Lin

* cited by examiner

Primary Examiner — Daniel Bui

(74) *Attorney, Agent, or Firm* — Cermak Nakajima LLP;
Tomoko Nakajima

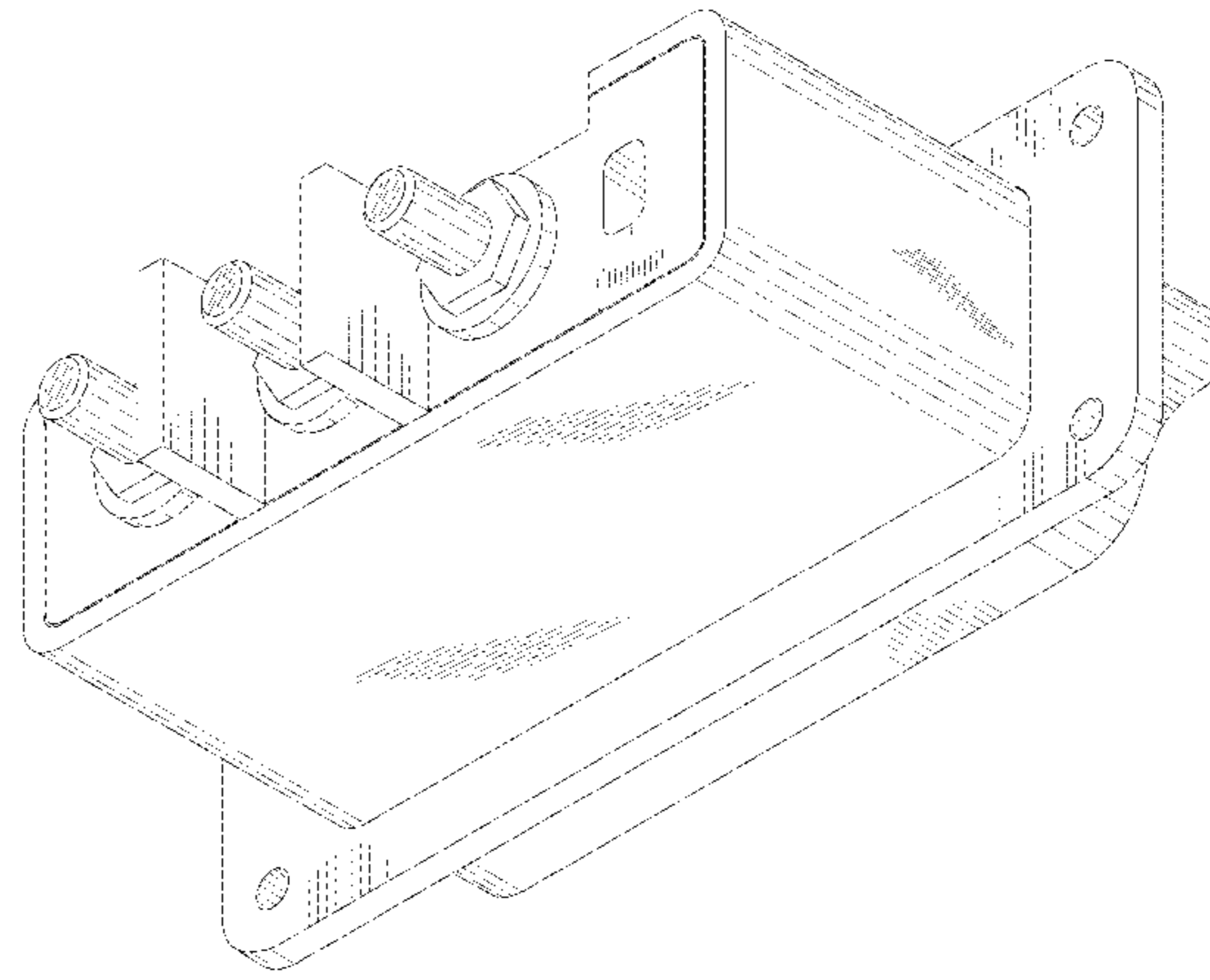
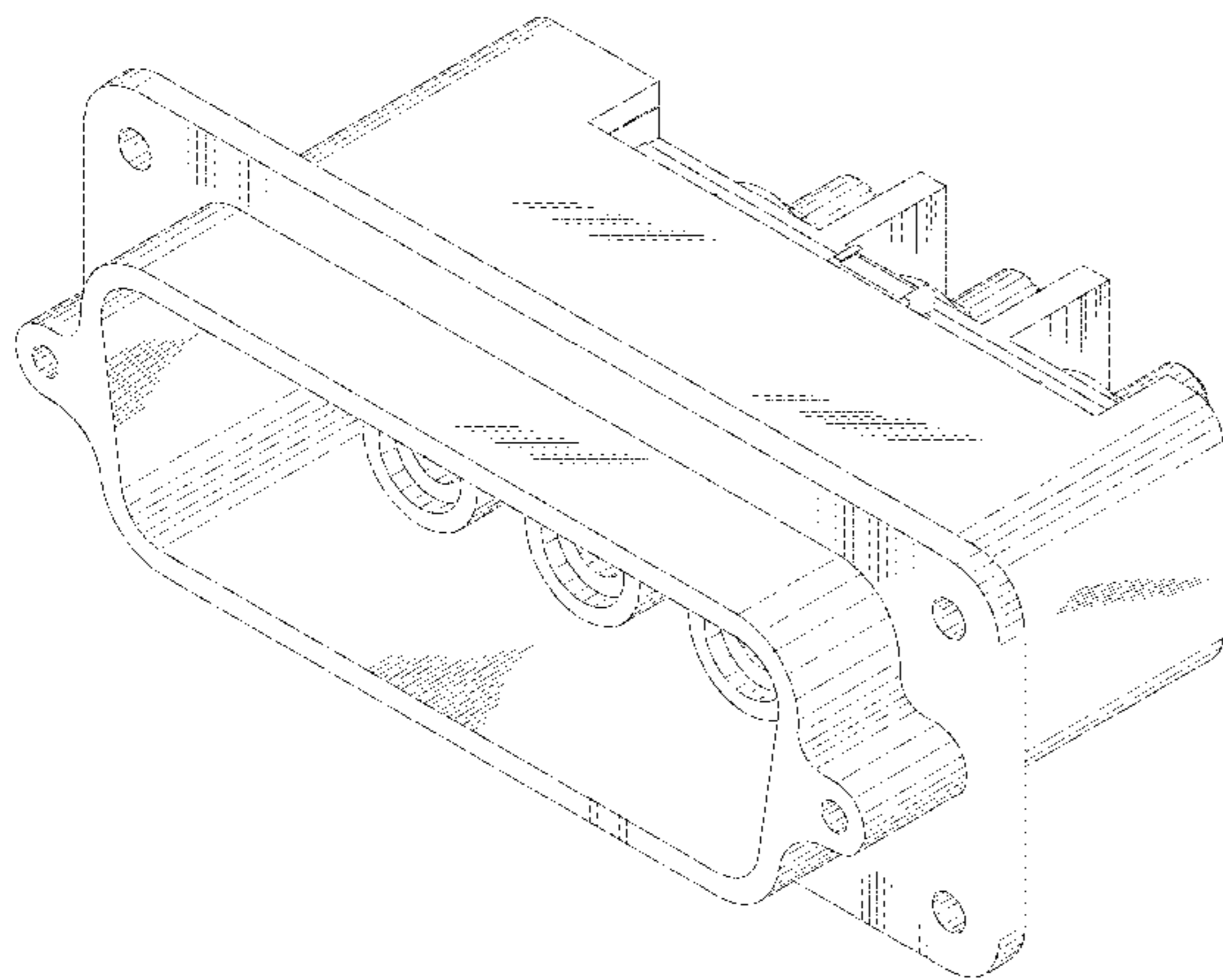
(57) **CLAIM**

The ornamental design for an electrical connector, as shown.

DESCRIPTION

FIG. 1 is a front elevational view of an electrical connector showing our new design;
FIG. 2 is a top plan view thereof;
FIG. 3 is a right side elevational view thereof;
FIG. 4 is a left side elevational view thereof;
FIG. 5 is a rear elevational view thereof; and
FIG. 6 is a bottom plan view thereof.
FIG. 7 is a front and top perspective view thereof;
FIG. 8 is a front and bottom perspective view thereof;
FIG. 9 is a rear and top perspective view thereof; and,
FIG. 10 is a rear and bottom perspective view thereof.

1 Claim, 10 Drawing Sheets



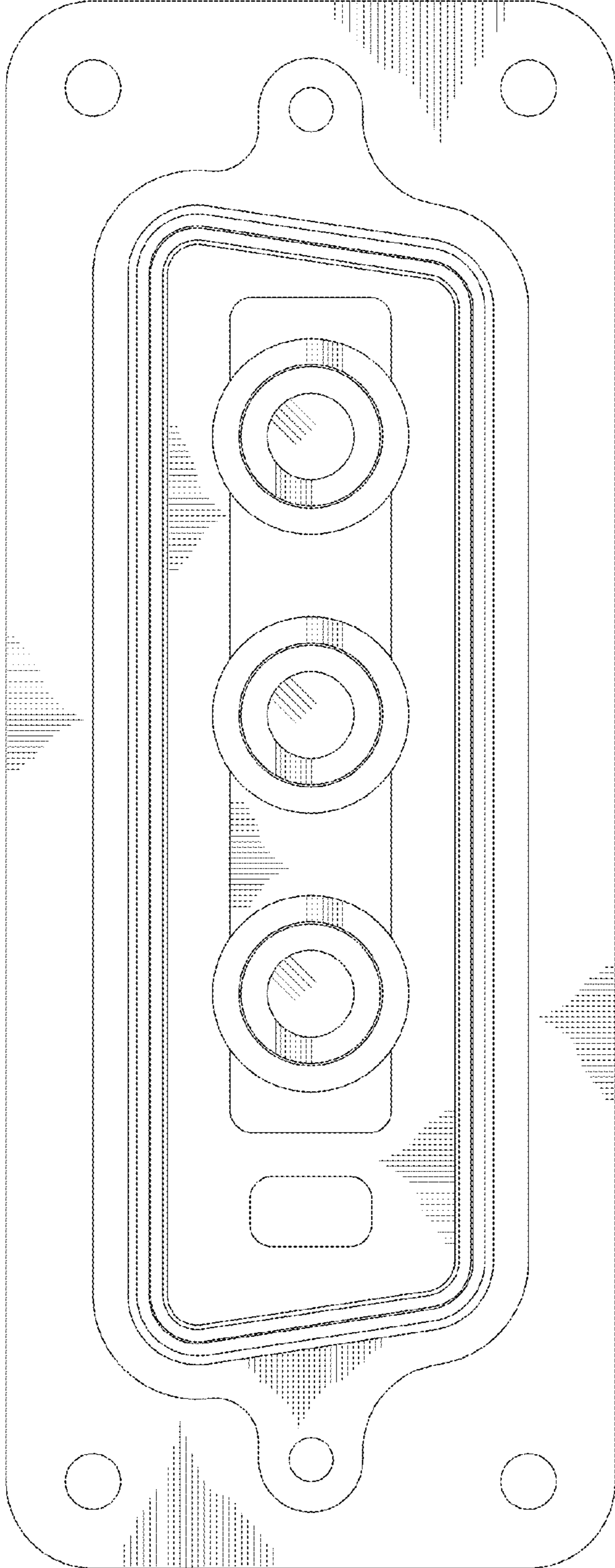


FIG.1

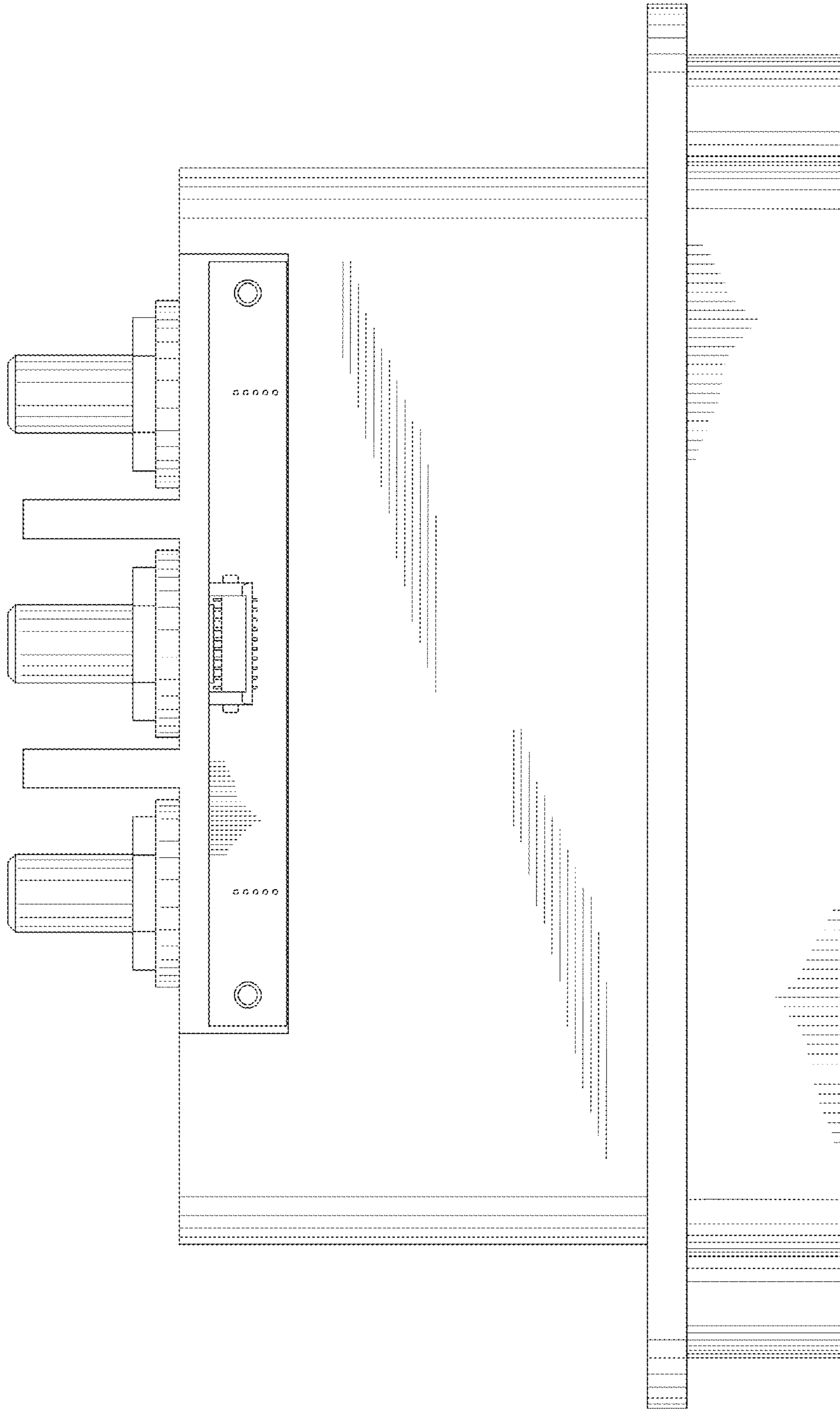


FIG.2

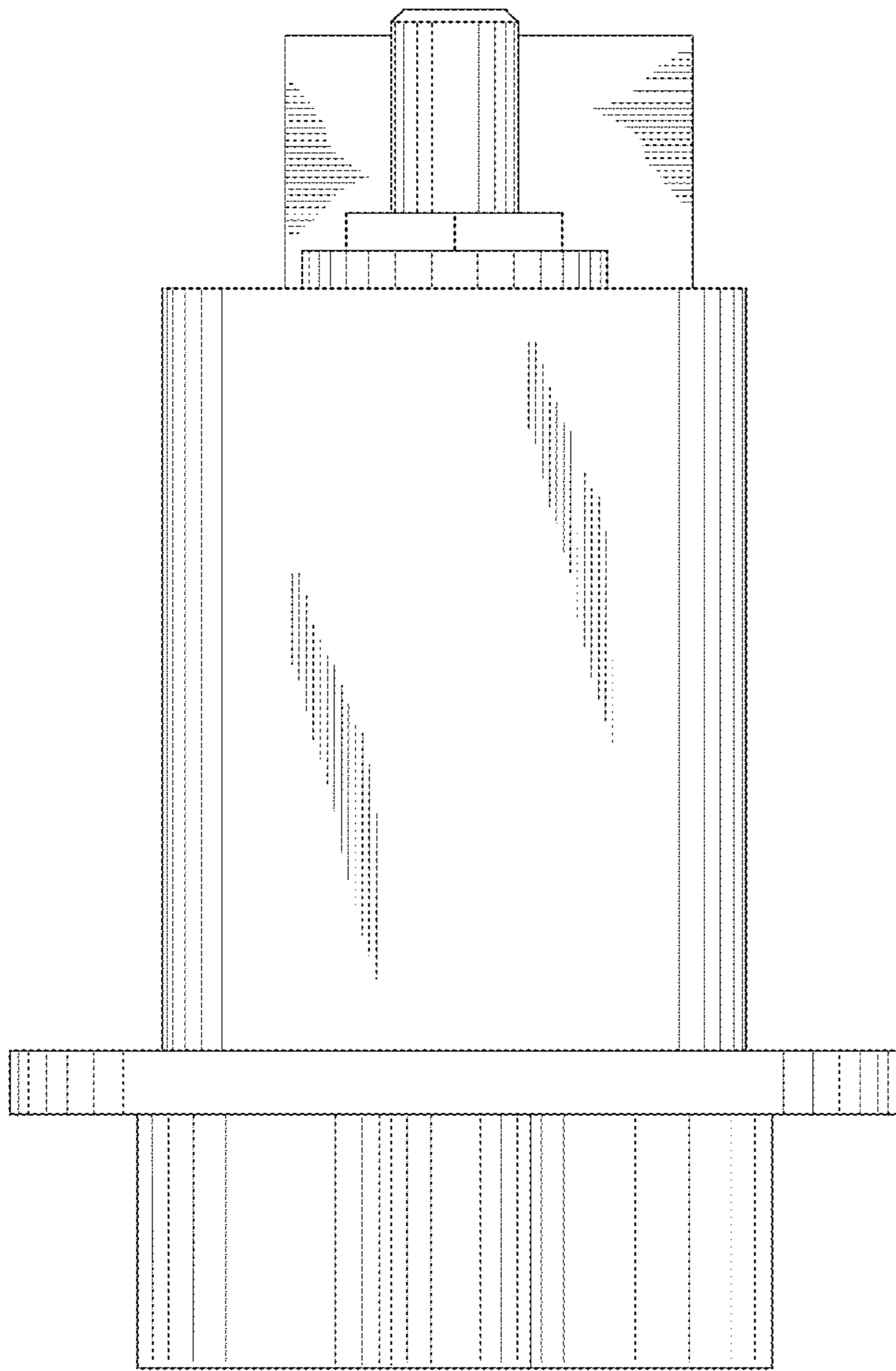


FIG. 3

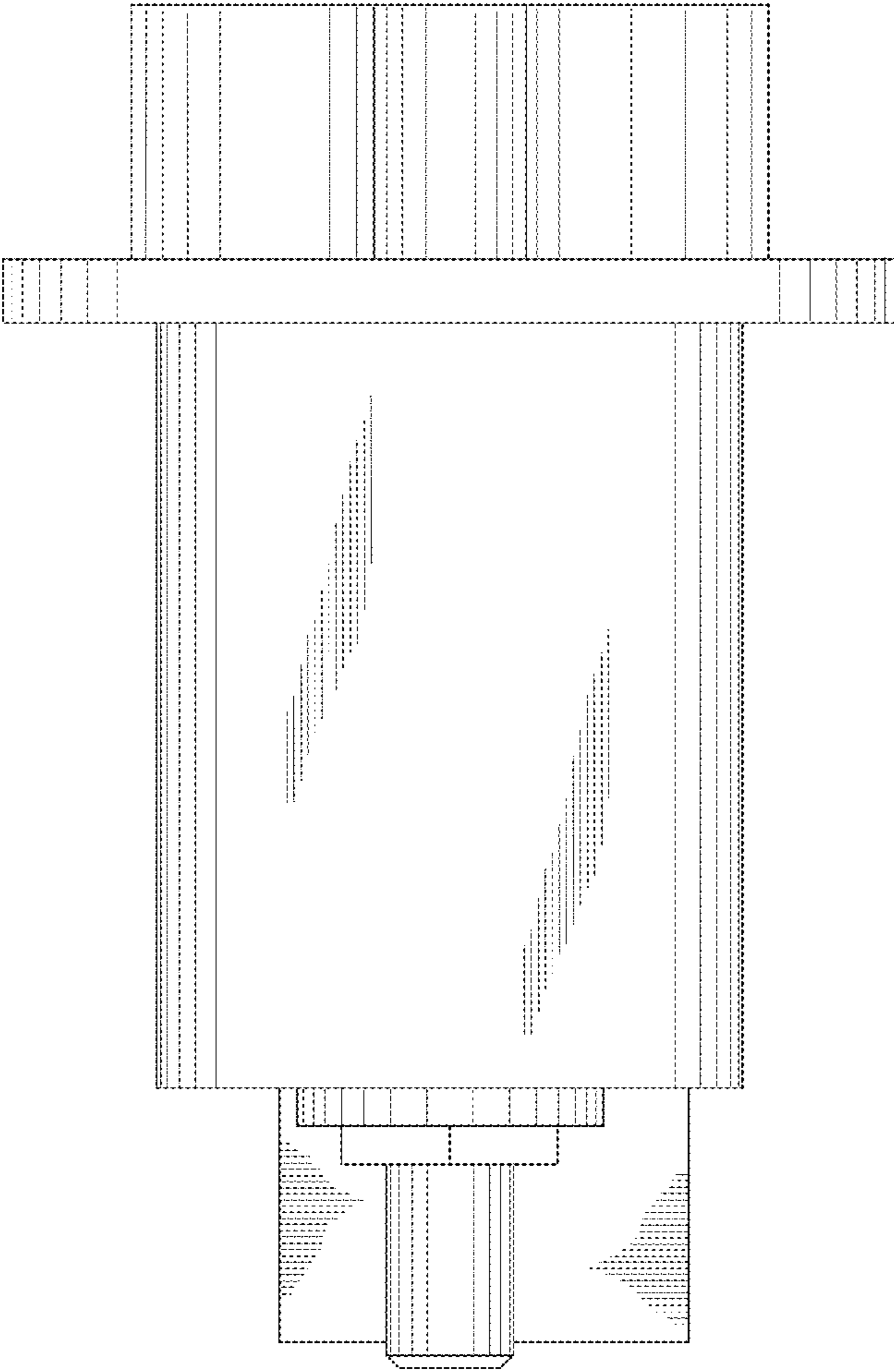


FIG. 4

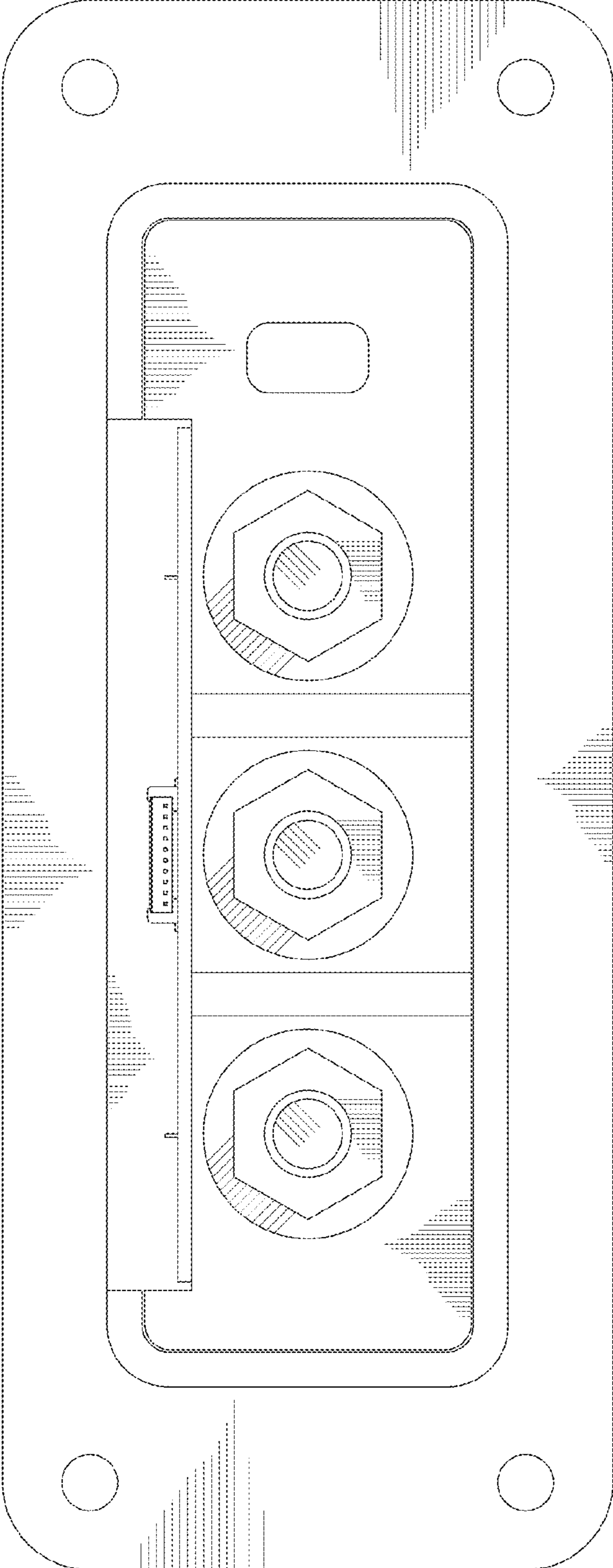


FIG.5

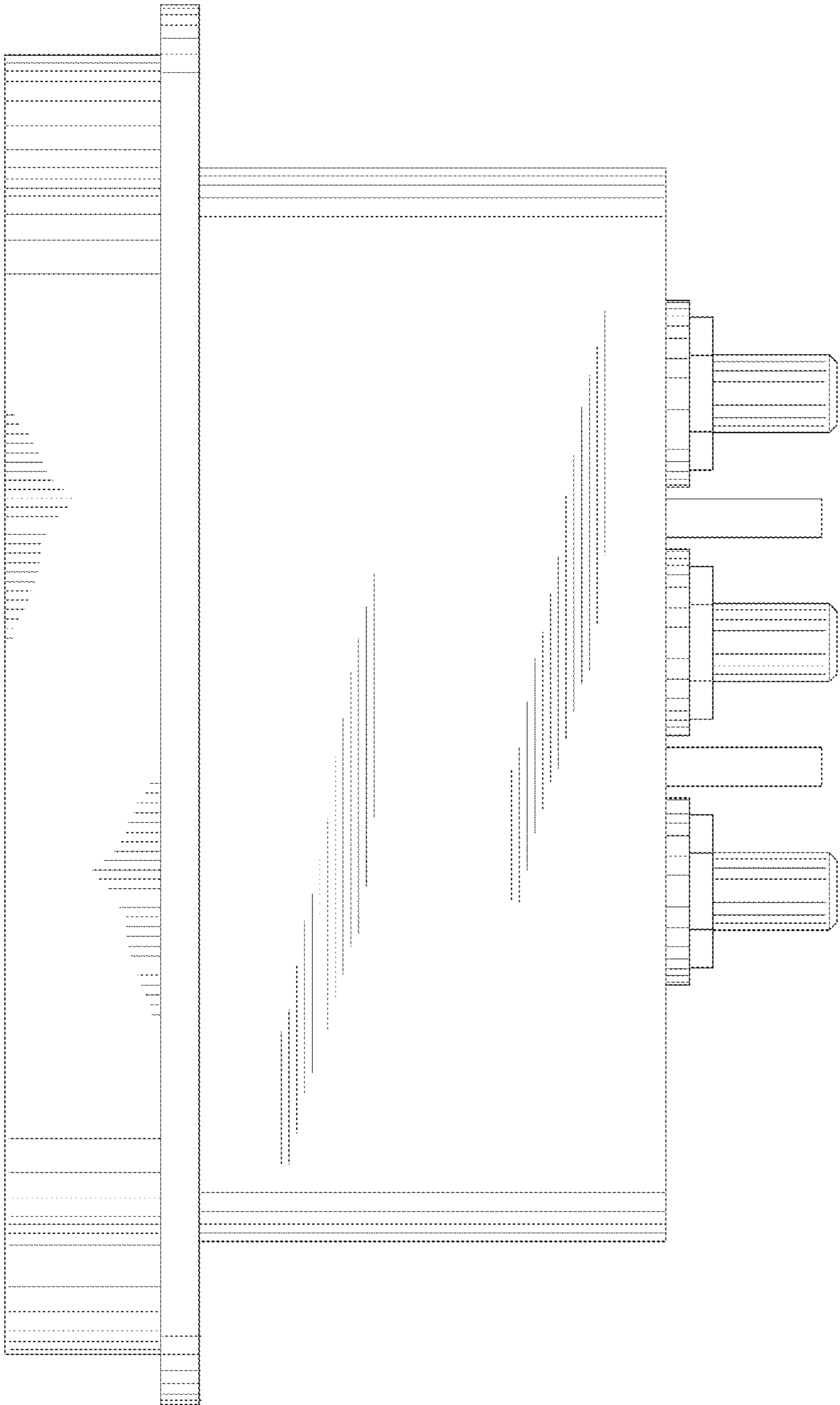


FIG.6

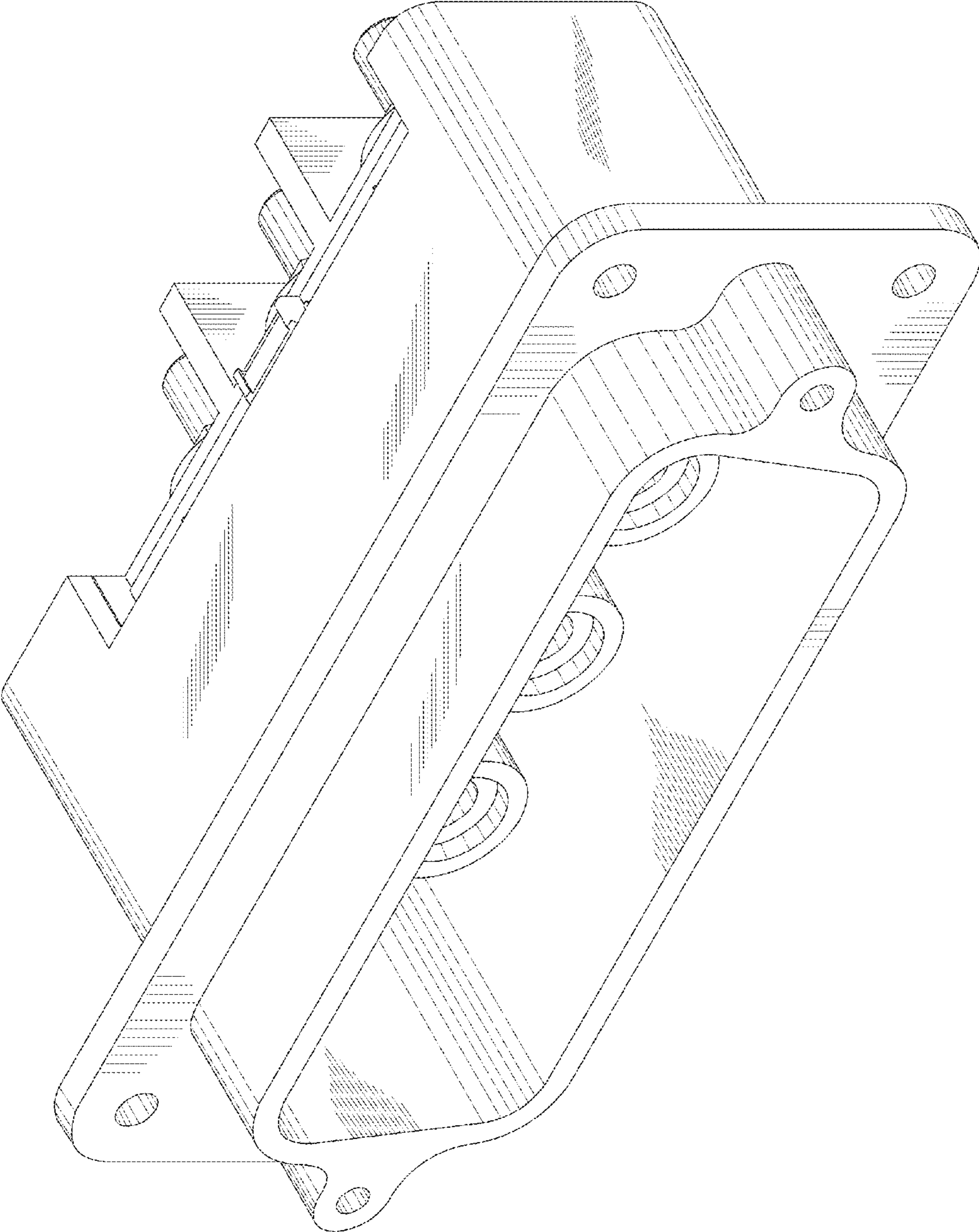


FIG.7

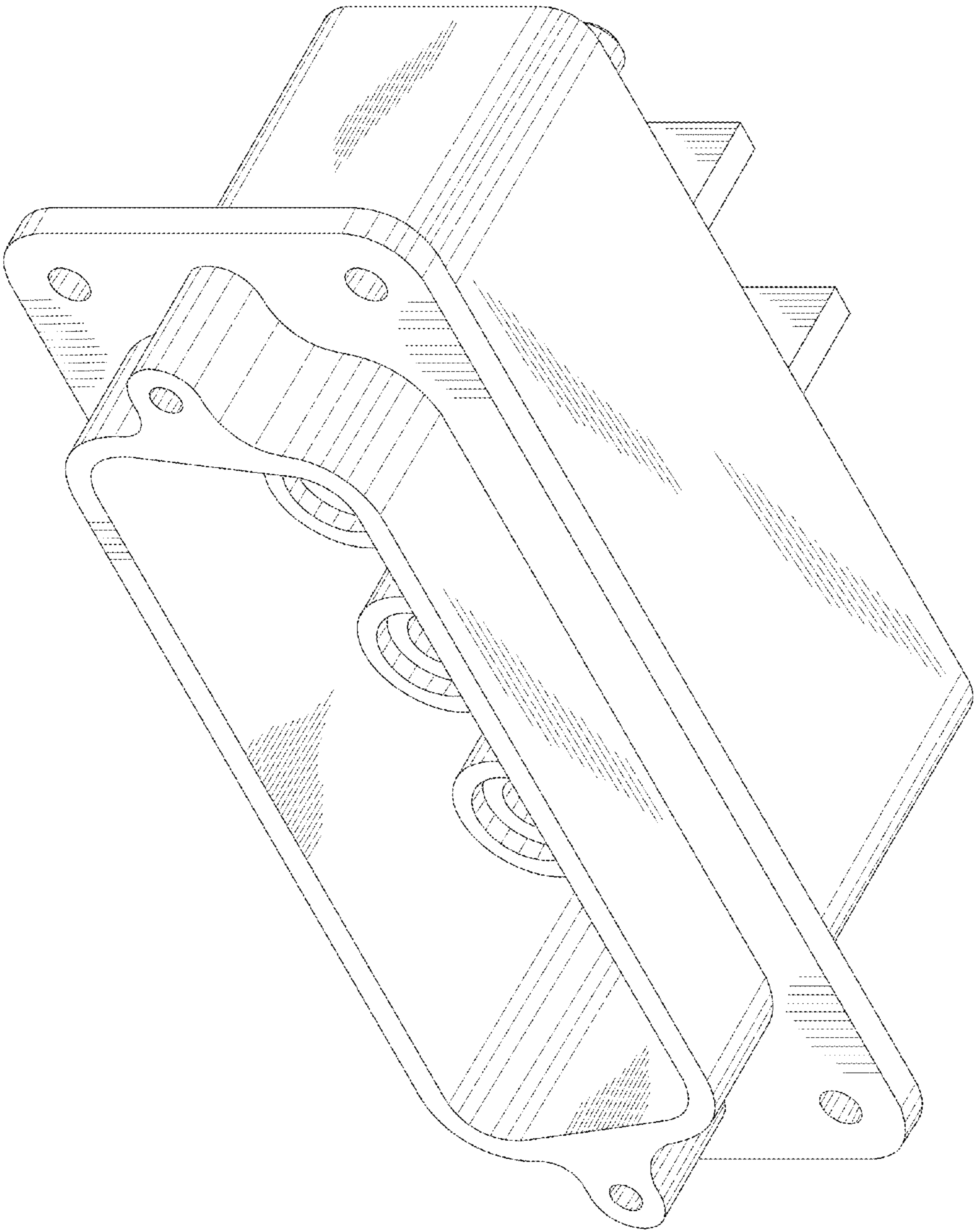


FIG.8

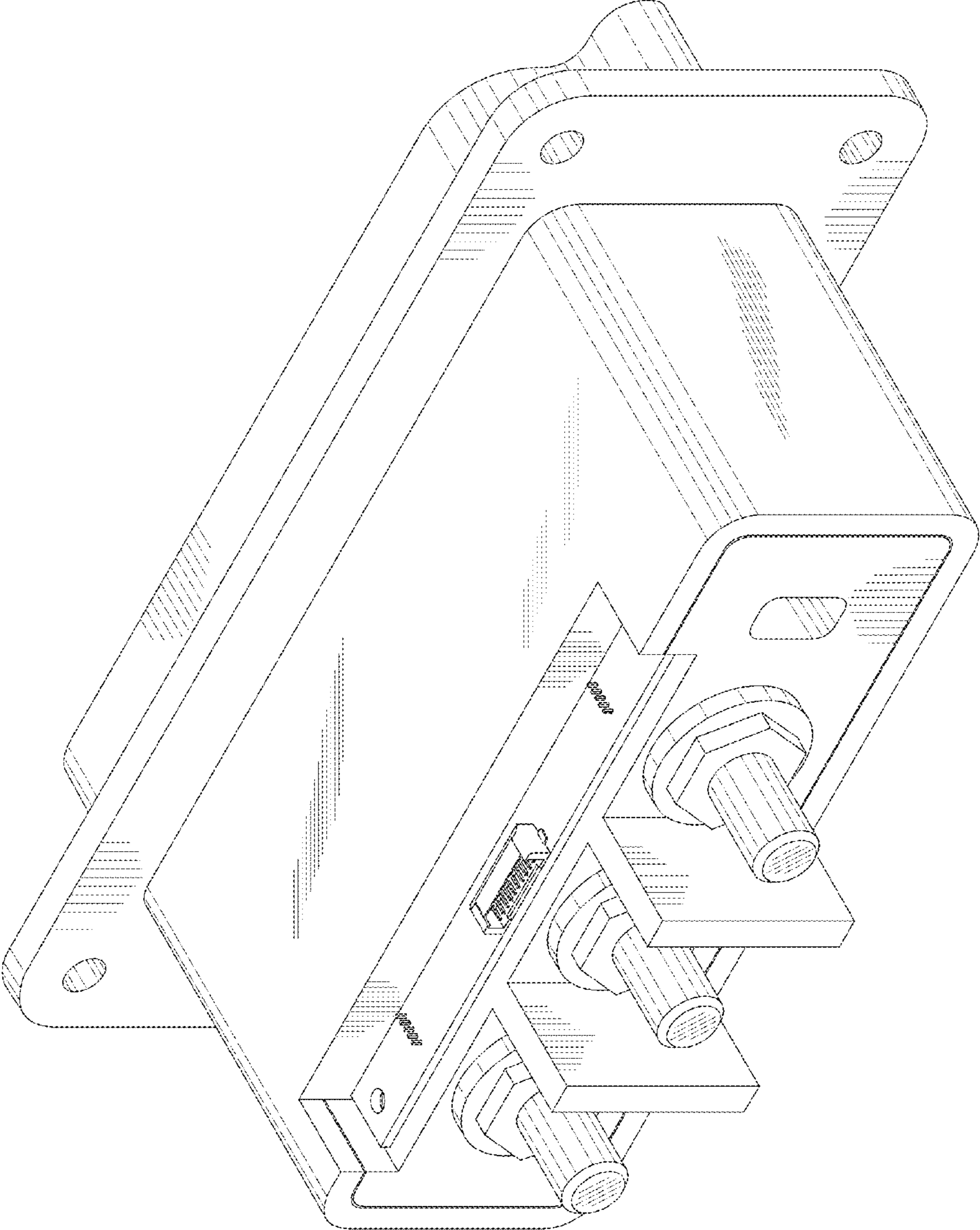


FIG. 9

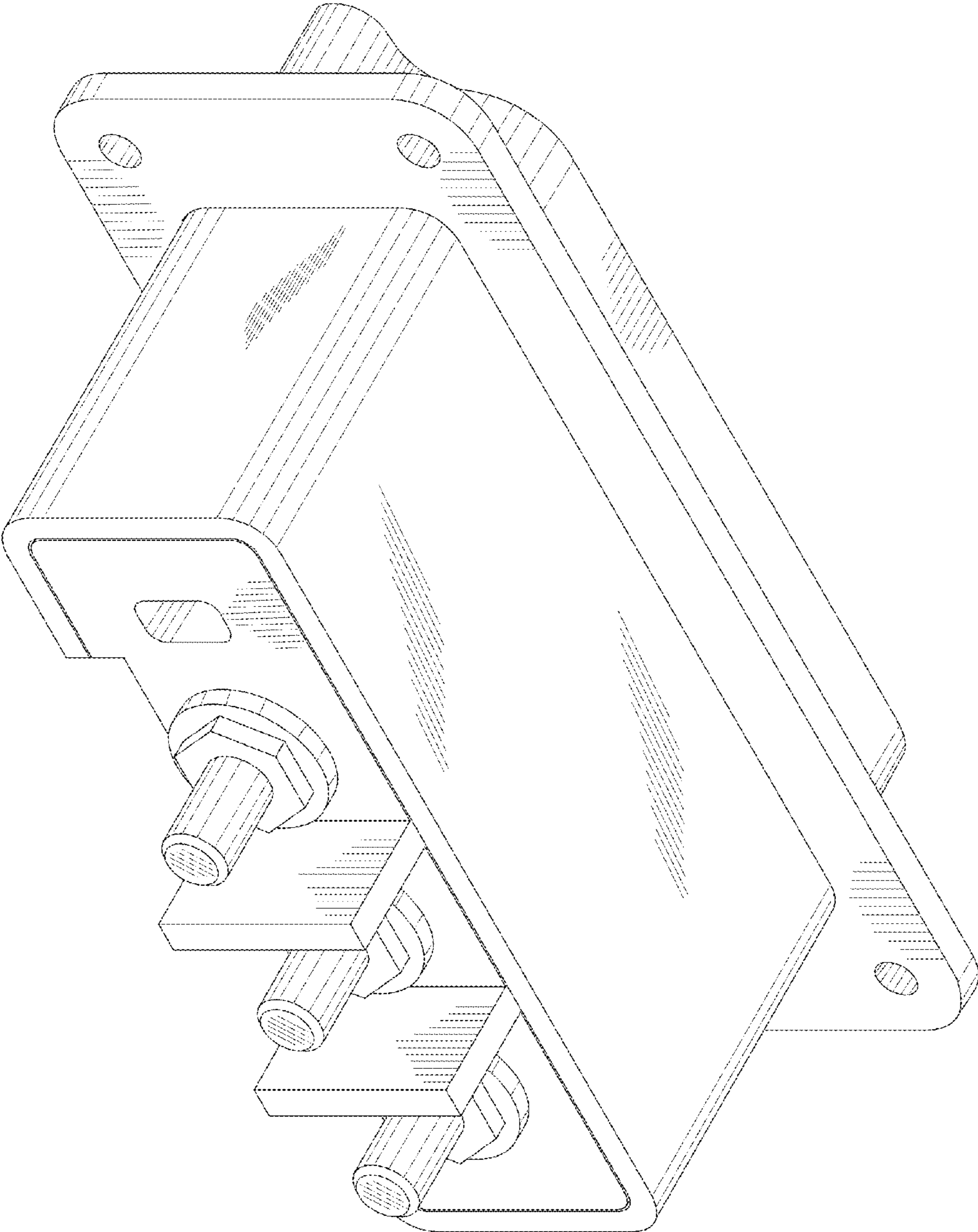


FIG.10