



US00D691561S

(12) **United States Design Patent**  
**York et al.**

(10) **Patent No.:** **US D691,561 S**

(45) **Date of Patent:** **\*\* Oct. 15, 2013**

(54) **ULTRA SHORT RECEPTACLE**

(75) Inventors: **Charles L York**, Townsend, MA (US);  
**Brian F Davis**, Acton, MA (US)

(73) Assignee: **Anderson Power Products, Inc.**,  
Sterling, MA (US)

(\*\*) Term: **14 Years**

(21) Appl. No.: **29/423,748**

(22) Filed: **Jun. 5, 2012**

(51) **LOC (9) Cl.** ..... **13-03**

(52) **U.S. Cl.**  
USPC ..... **D13/133**

(58) **Field of Classification Search**  
USPC ..... D13/133, 146-147, 154, 156, 184;  
439/180, 252, 278, 280, 290-293, 328,  
439/374, 375, 378, 483, 488, 489, 491, 500,  
439/525, 529, 533, 592-593, 680, 892, 894  
See application file for complete search history.

(56) **References Cited**

U.S. PATENT DOCUMENTS

D585,024 S	*	1/2009	Kudo	.....	D13/133
D585,025 S	*	1/2009	Kudo	.....	D13/133
D626,073 S	*	10/2010	Skidmore et al.	.....	D13/146
D628,158 S	*	11/2010	Skidmore et al.	.....	D13/146
D639,743 S	*	6/2011	Smith et al.	.....	D13/146

D639,744 S	*	6/2011	Smith et al.	.....	D13/146
D649,937 S	*	12/2011	Lan et al.	.....	D13/133
D659,099 S	*	5/2012	Svelnis et al.	.....	D13/151
D665,748 S	*	8/2012	Baker et al.	.....	D13/133
D673,117 S	*	12/2012	Gassauer	.....	D13/133
D678,205 S	*	3/2013	Shifris et al.	.....	D13/133

\* cited by examiner

*Primary Examiner* — Thomas Johannes

(74) *Attorney, Agent, or Firm* — Maine Cernota & Rardin

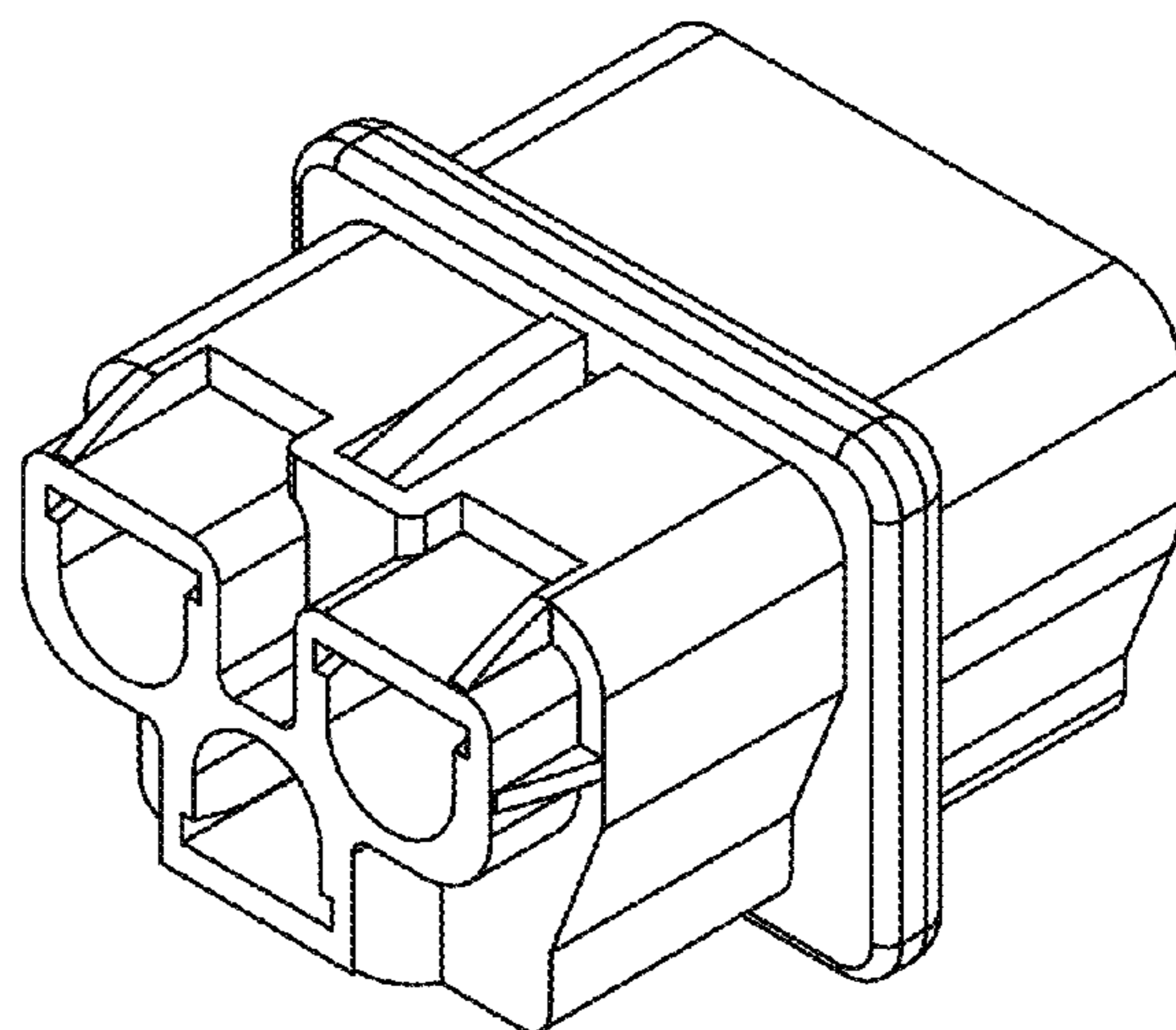
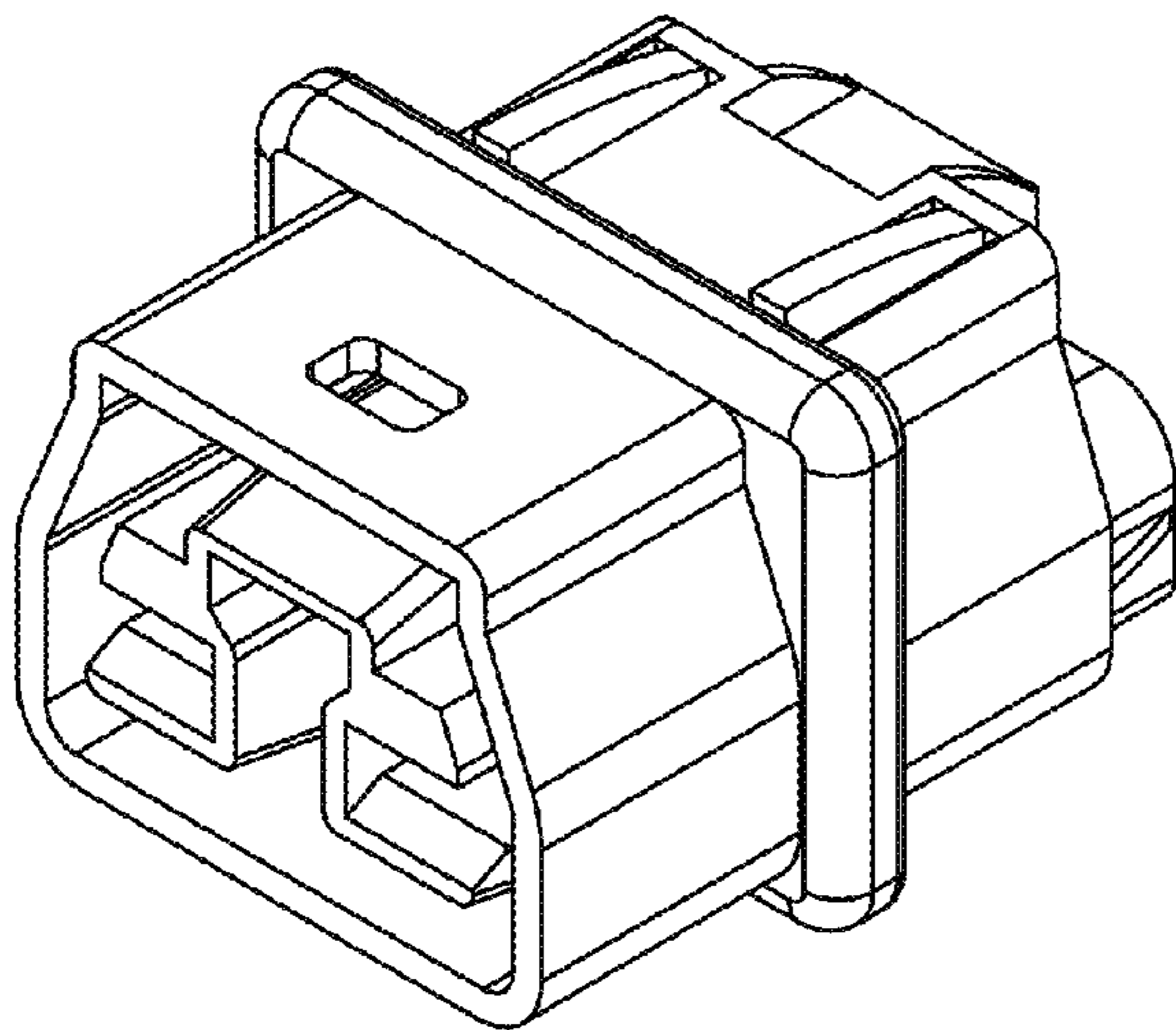
(57) **CLAIM**

The ornamental design for an ultra short receptacle, as shown and described.

**DESCRIPTION**

FIG. 1 is a front elevation view of an ultra short receptacle, showing our new design;  
FIG. 2 is a back elevation view thereof;  
FIG. 3 is a left side elevation view thereof;  
FIG. 4 is a right side elevation view thereof;  
FIG. 5 is a top plan view thereof;  
FIG. 6 is a bottom plan view thereof;  
FIG. 7 is a front, top and right side perspective view thereof; and,  
FIG. 8 is a back, bottom and left side perspective view thereof. The broken line portion of the figure drawings is included to show unclaimed subject matter only and forms no part of the claimed design.

**1 Claim, 8 Drawing Sheets**



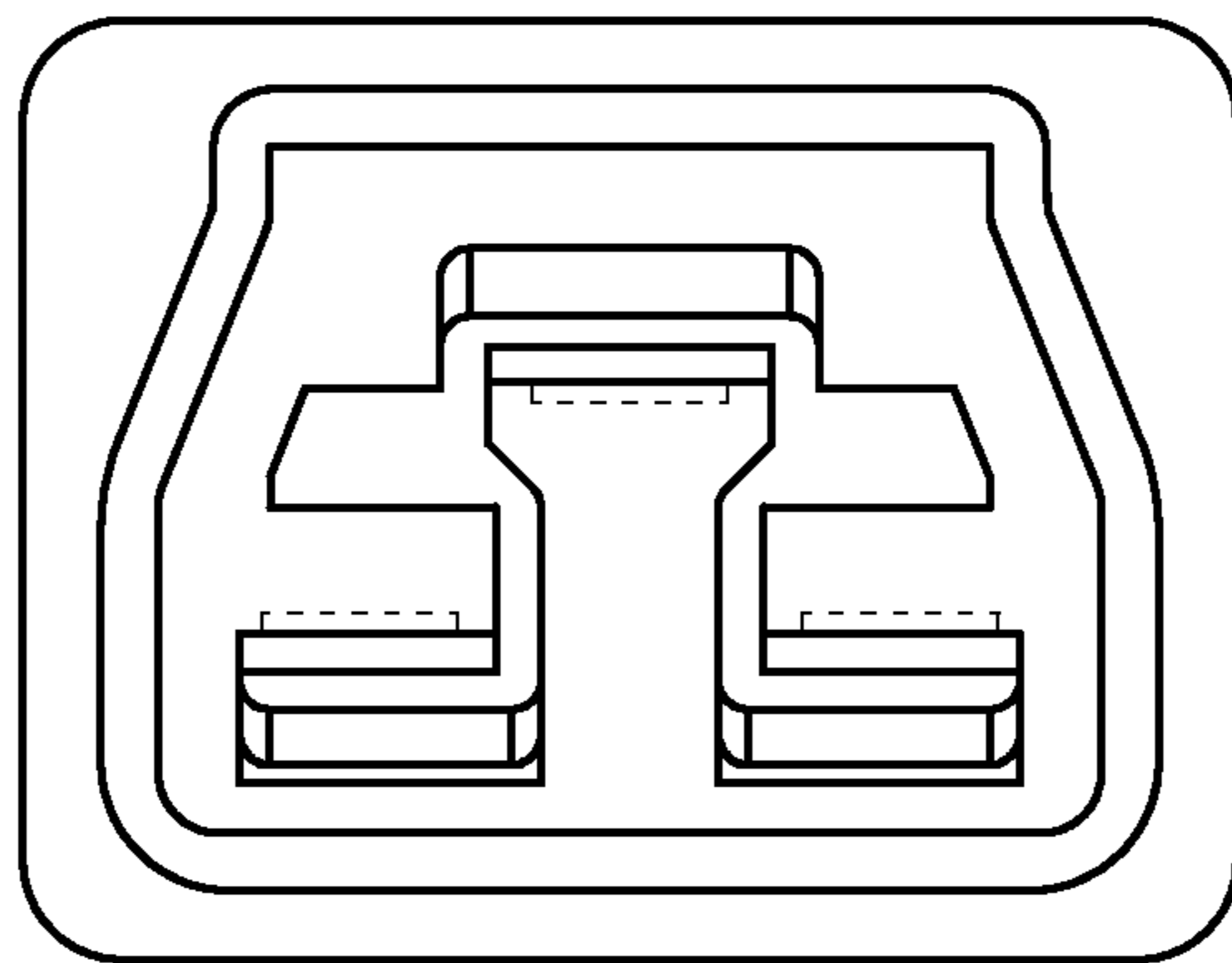


FIG. 1

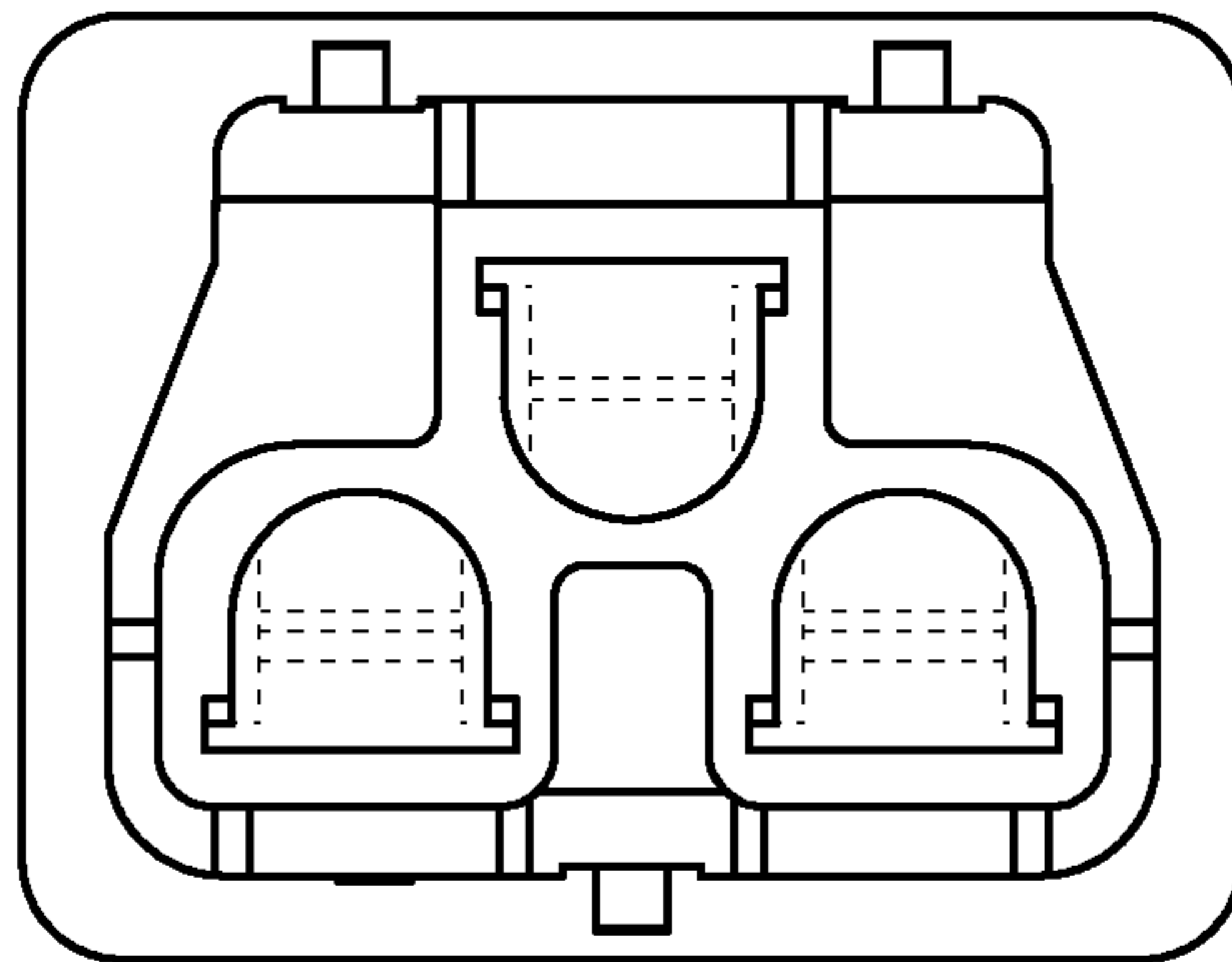


FIG. 2

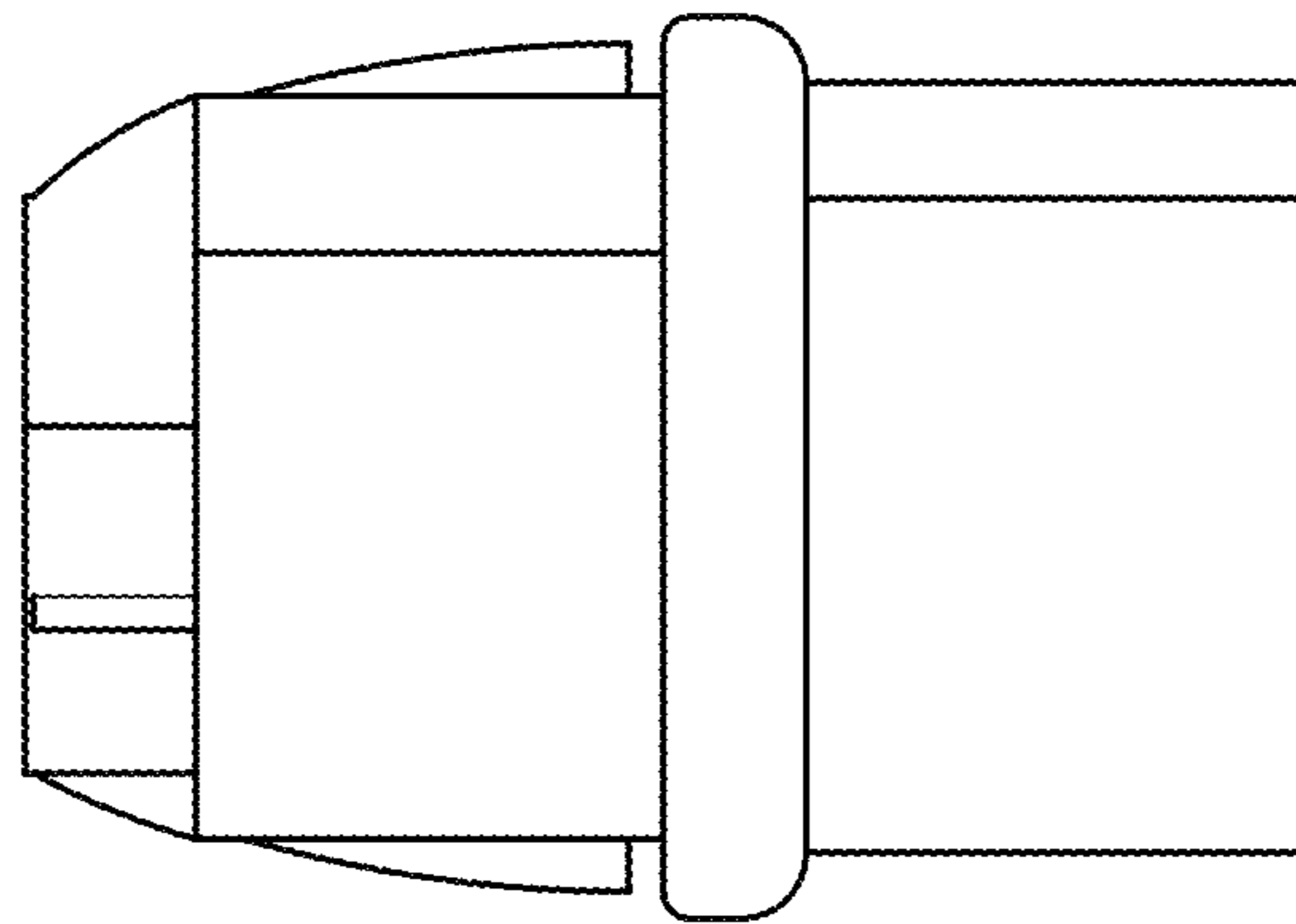


FIG. 3

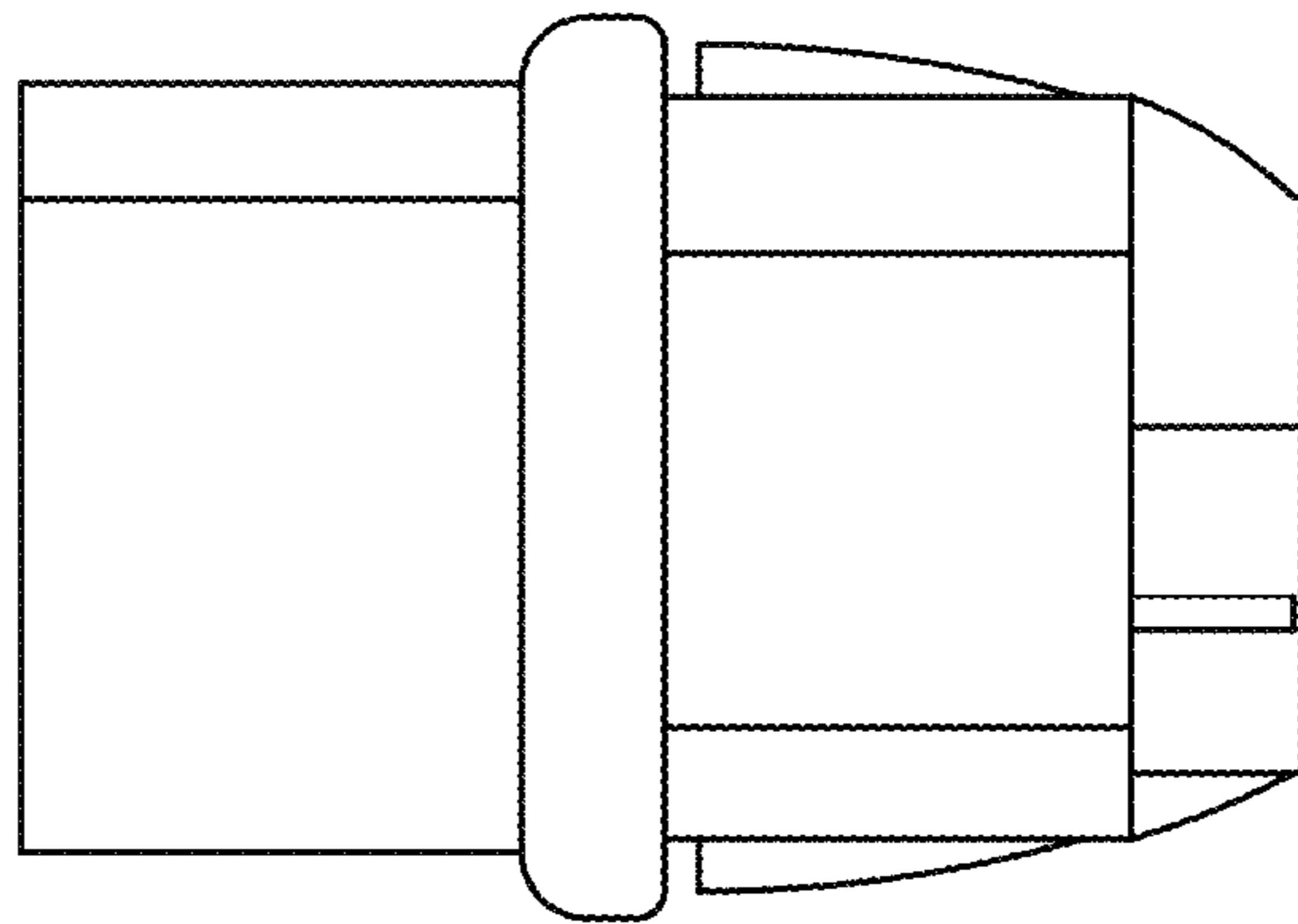


FIG. 4

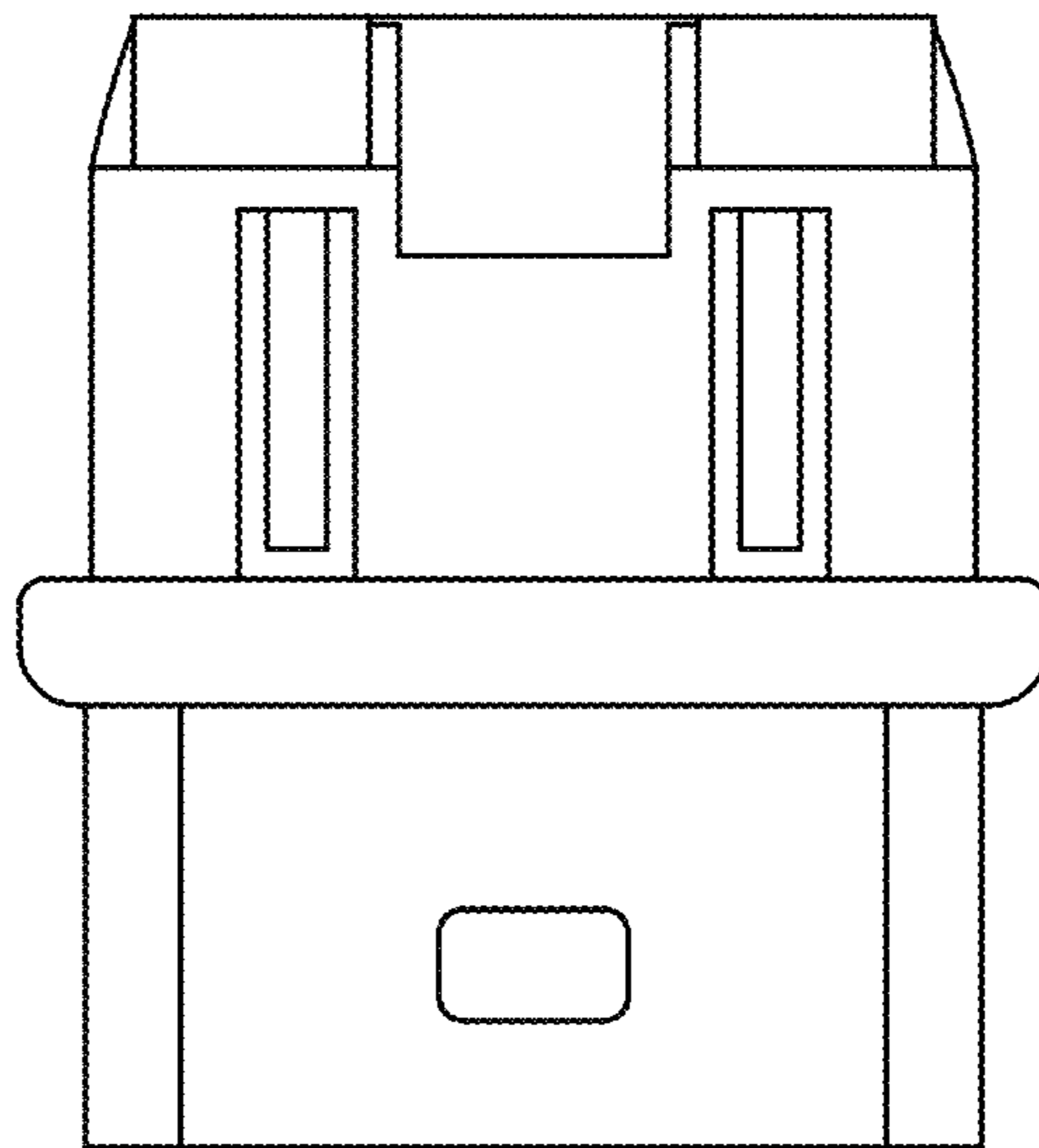


FIG. 5

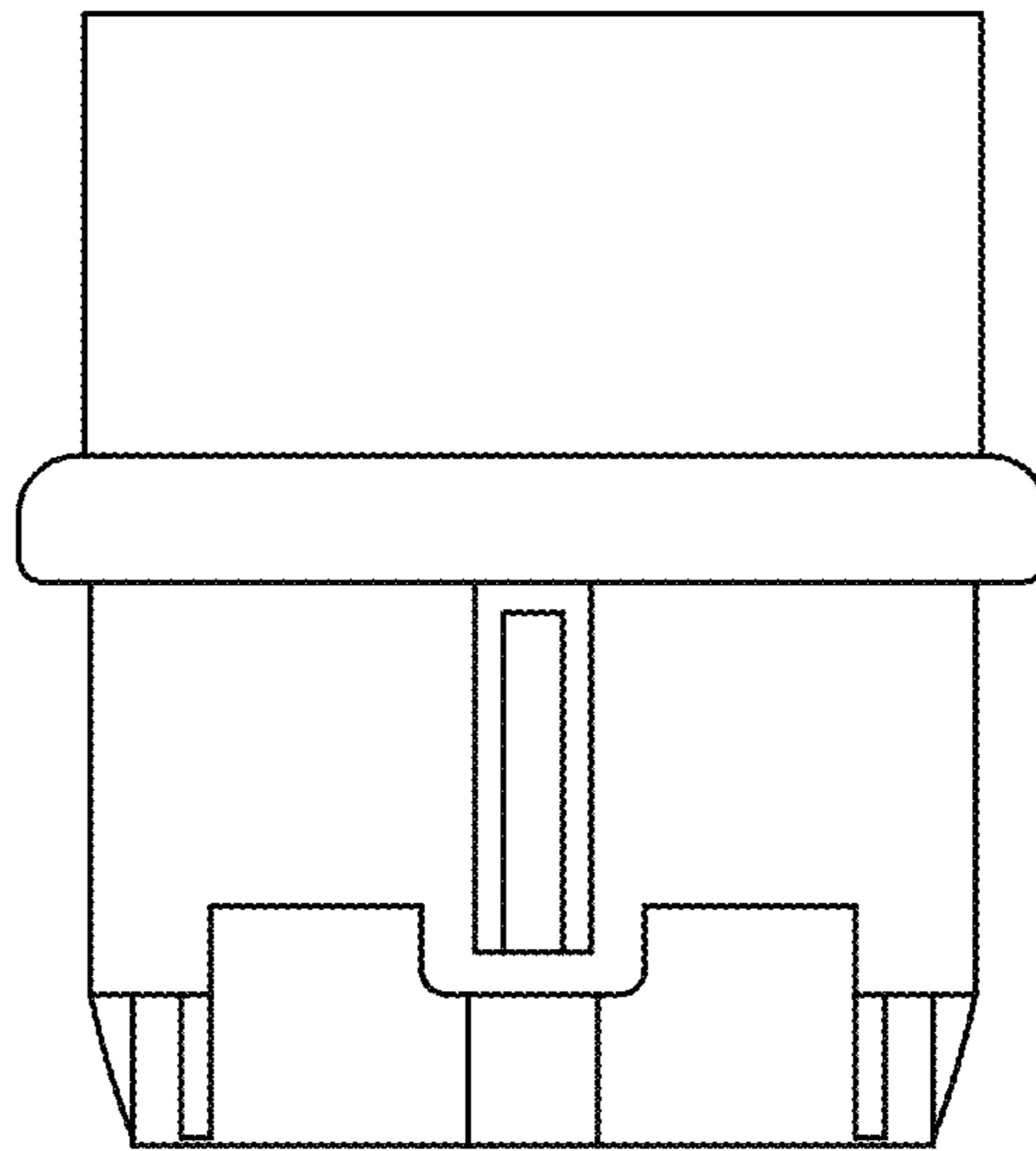


FIG. 6

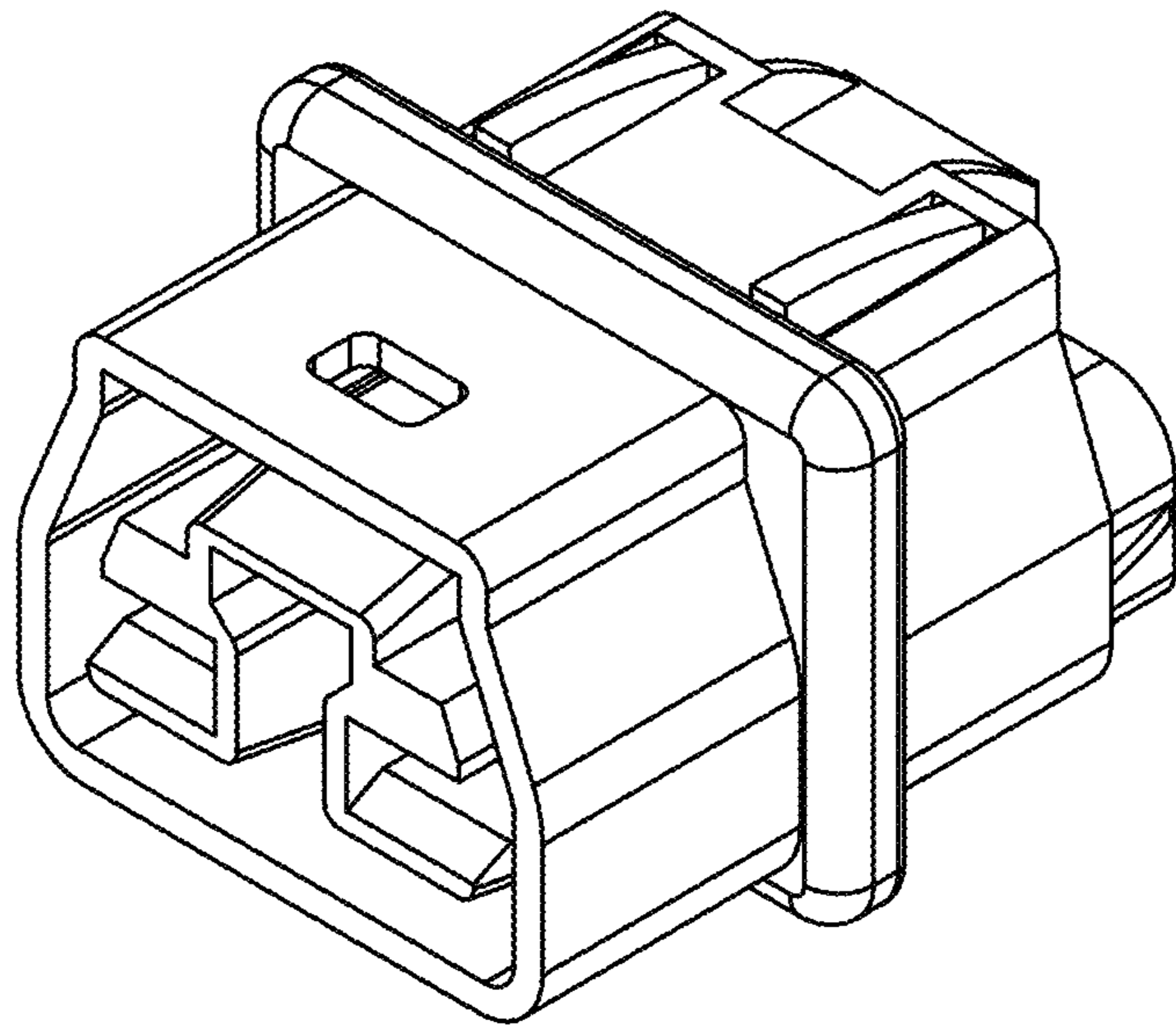


FIG. 7



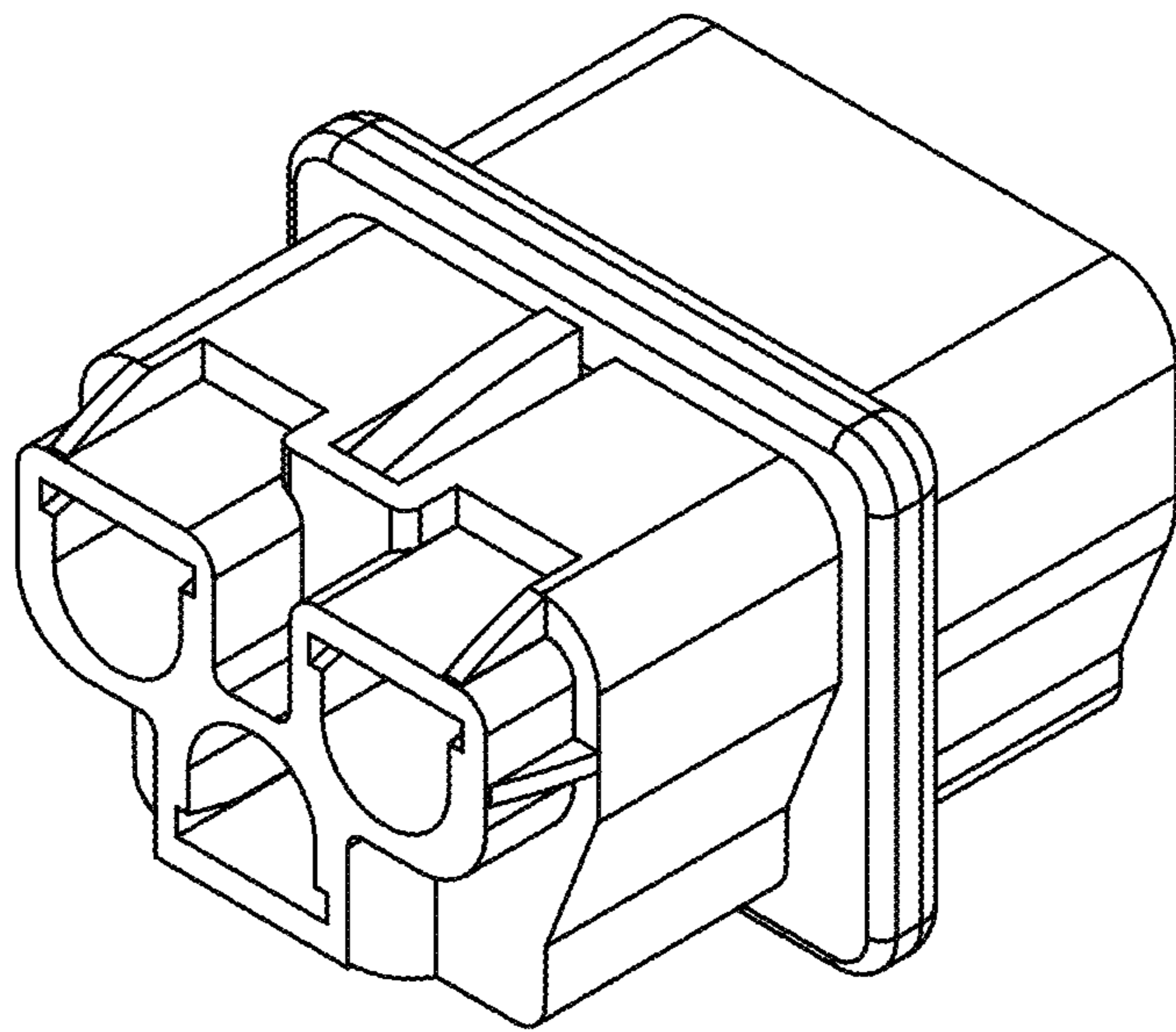


FIG. 8